



US00D746084S

(12) **United States Design Patent**
Jensen et al.

(10) **Patent No.:** **US D746,084 S**

(45) **Date of Patent:** **** Dec. 29, 2015**

(54) **MATTRESS COVER ASSEMBLY**

(71) Applicants: **Ida T. Jensen**, København N (DK);
Kara W. Johnson, San Francisco, CA
(US); **Thomas D. C. Overthun**, San
Francisco, CA (US); **Isabela Dias de**
Mello Sa, San Francisco, CA (US); **Eric**
Lopez, San Francisco, CA (US); **Martin**
Schnitzer, San Francisco, CA (US);
Thomas Brisebras, San Francisco, CA
(US); **Mihoko Ouchi**, Oakland, CA
(US); **Elger Oberwelz**, San Francisco,
CA (US)

(72) Inventors: **Ida T. Jensen**, København N (DK);
Kara W. Johnson, San Francisco, CA
(US); **Thomas D. C. Overthun**, San
Francisco, CA (US); **Isabela Dias de**
Mello Sa, San Francisco, CA (US); **Eric**
Lopez, San Francisco, CA (US); **Martin**
Schnitzer, San Francisco, CA (US);
Thomas Brisebras, San Francisco, CA
(US); **Mihoko Ouchi**, Oakland, CA
(US); **Elger Oberwelz**, San Francisco,
CA (US)

(73) Assignee: **Tempur-Pedic Management, LLC**,
Lexington, KY (US)

(**) Term: **14 Years**

(21) Appl. No.: **29/478,167**

(22) Filed: **Dec. 31, 2013**

(51) **LOC (10) Cl.** **06-09**

(52) **U.S. Cl.**
USPC **D6/606**

(58) **Field of Classification Search**
USPC D6/305, 382, 383, 391, 393, 394, 395,
D6/406.6, 595, 596, 601, 602, 603, 604,
D6/605, 606, 607, 622, 690, 718.31;
5/417, 419, 421, 482, 485, 495, 496,
5/497, 499, 655, 665, 668, 675, 677, 689,
5/690, 691, 693, 696, 698, 700, 702, 703,
5/705, 706, 709, 712, 717, 719, 720, 721,
5/727, 733, 737, 739, 740, 907

See application file for complete search history.

(56) **References Cited**

U.S. PATENT DOCUMENTS

RE10,861 E * 8/1887 Palmer 5/482
D107,236 S * 11/1937 Jacobs D6/603
D110,024 S * 6/1938 Hauck D6/603

(Continued)

Primary Examiner — Eric Goodman

Assistant Examiner — Bao-Yen Nguyen

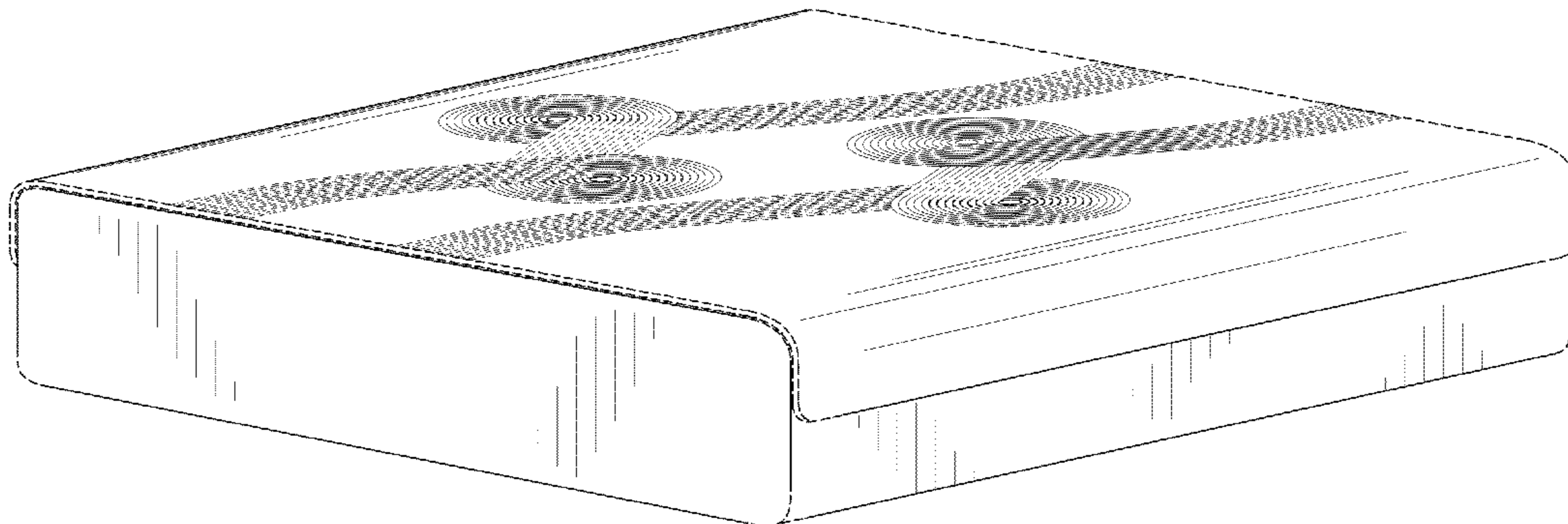
(57) **CLAIM**

The ornamental design for a mattress cover assembly, as shown and described.

DESCRIPTION

FIG. 1 is a front elevational view of the mattress cover assembly of the present invention;
FIG. 2 is a rear elevational view of the mattress cover assembly of FIG. 1;
FIG. 3 is a left side elevational view of the mattress cover assembly of FIG. 1;
FIG. 4 is a right side elevational view of the mattress cover assembly of FIG. 1;
FIG. 5 is a top view of the mattress cover assembly of FIG. 1;
FIG. 6 is a bottom view of the mattress cover assembly of FIG. 1;
FIG. 7 is a perspective view of the mattress cover assembly of FIG. 1;
FIG. 8 is a front elevational view of a mattress cover assembly of the present invention in accordance with an alternative embodiment of the mattress cover assembly;
FIG. 9 is a rear elevational view of the mattress cover assembly of FIG. 8;
FIG. 10 is a left side elevational view of the mattress cover assembly of FIG. 8;
FIG. 11 is a right side elevational view of the mattress cover assembly of FIG. 8;
FIG. 12 is a top view of the mattress cover assembly of FIG. 8;
FIG. 13 is a bottom view of the mattress cover assembly of FIG. 8; and,
FIG. 14 is a perspective view of the mattress cover assembly of FIG. 8.
The broken lines in the drawings represent the portions of the mattress cover assembly that form no part of the claimed design.

1 Claim, 10 Drawing Sheets



(56)

References Cited

U.S. PATENT DOCUMENTS

D113,261 S *	2/1939	Fassler	D6/603	D527,564 S *	9/2006	Contreras	D6/606
D115,706 S *	7/1939	Fassler	D6/603	D527,565 S *	9/2006	Contreras	D6/606
D115,707 S *	7/1939	Fassler	D6/603	7,398,570 B2 *	7/2008	Seago	5/497
D116,168 S *	8/1939	Lawson	D6/603	D633,322 S *	3/2011	Morrison	D6/605
D116,195 S *	8/1939	Steinweg	D6/603	D693,143 S *	11/2013	Nielsen et al.	D6/605
D317,542 S *	6/1991	Schetti	D6/603	D693,604 S *	11/2013	Asklof	D6/605
D324,971 S *	3/1992	Blocker	D6/602	D701,399 S *	3/2014	Gatto	D6/606
D336,204 S *	6/1993	Harris et al.	D6/602	D703,977 S *	5/2014	Roberts et al.	D6/605
D425,354 S *	5/2000	Rogers et al.	D6/595	D704,478 S *	5/2014	Arnold	D6/605
				D704,479 S *	5/2014	Gatto	D6/606
				D704,965 S *	5/2014	Arnold	D6/605
				D709,715 S *	7/2014	Gatto	D6/606

* cited by examiner



FIG. 1

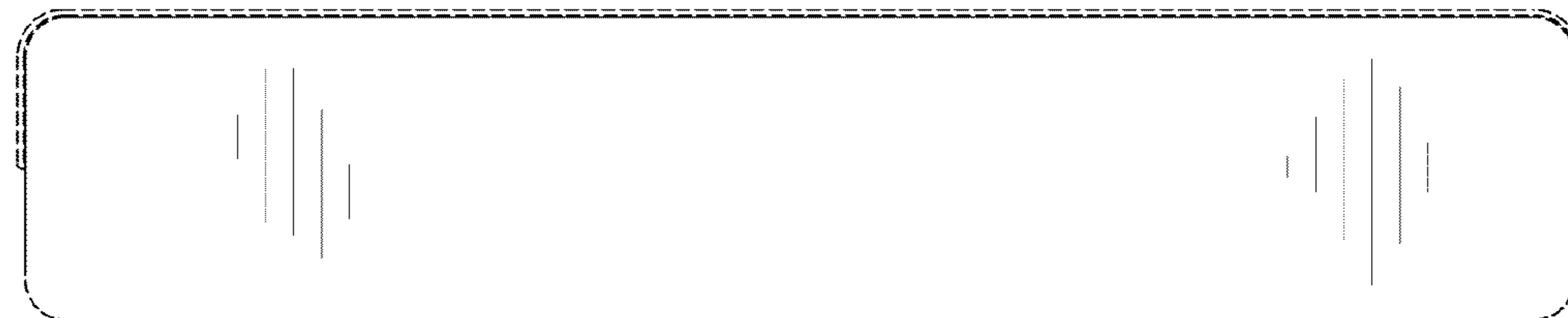


FIG. 2

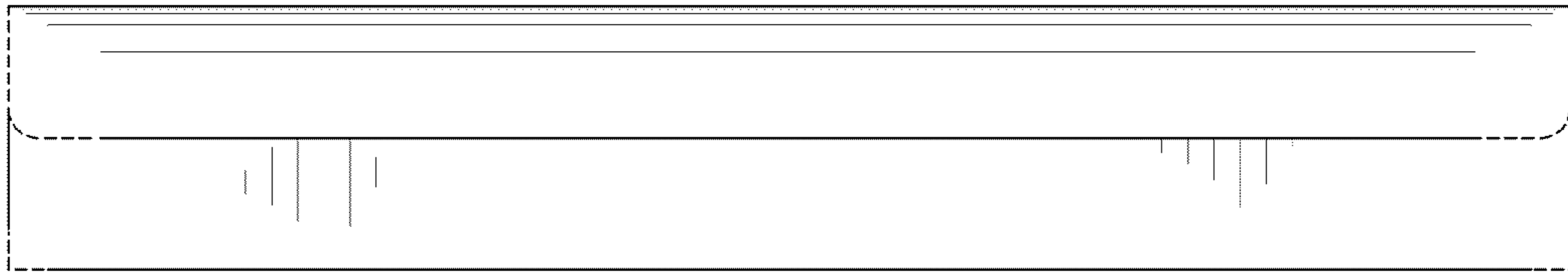


FIG. 3

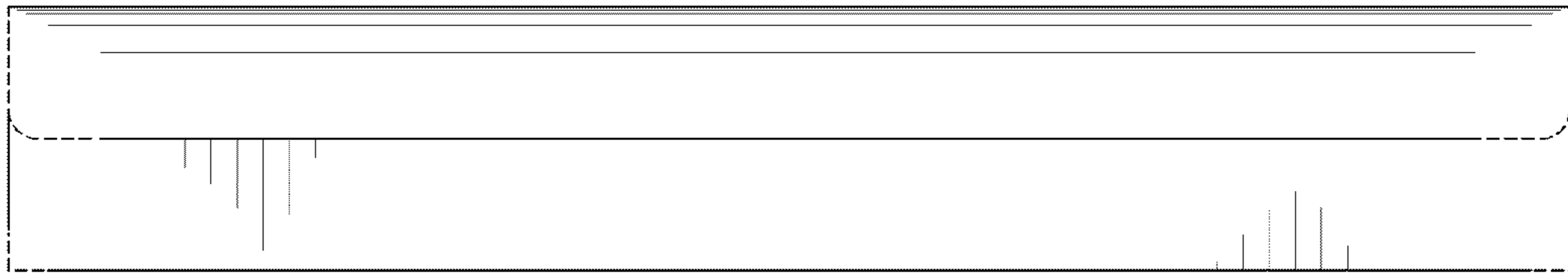


FIG. 4

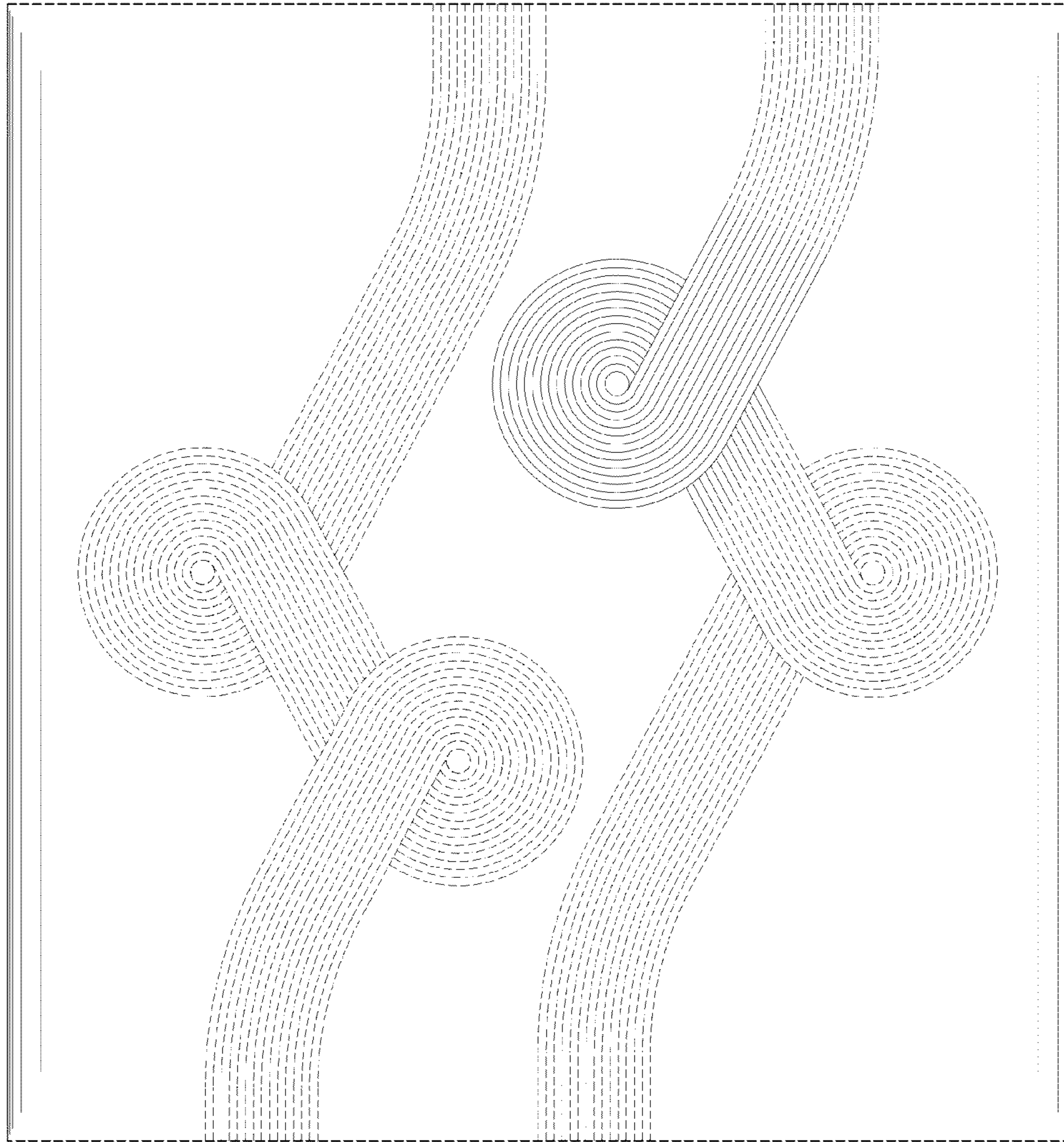


FIG. 5

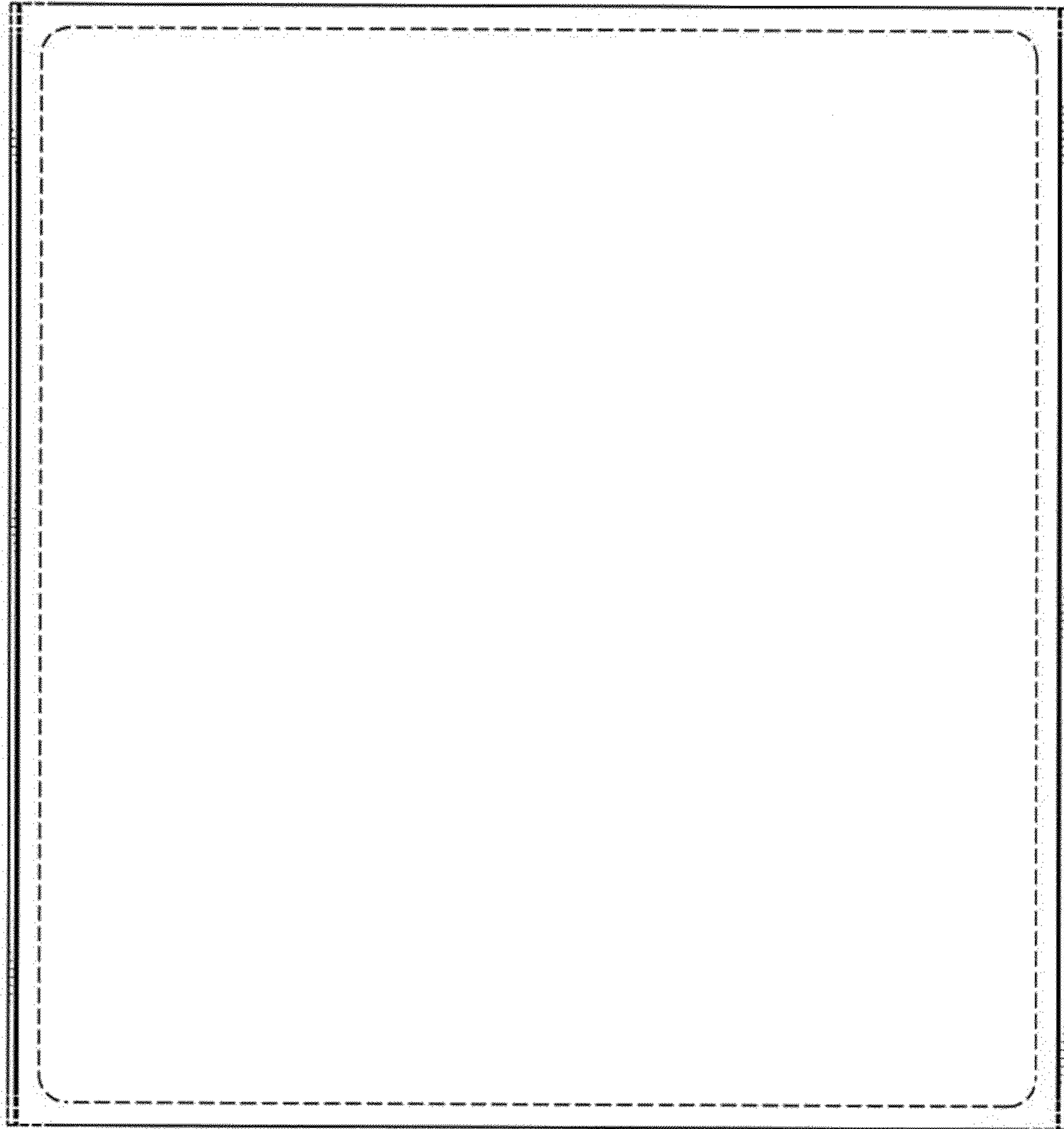


FIG. 6

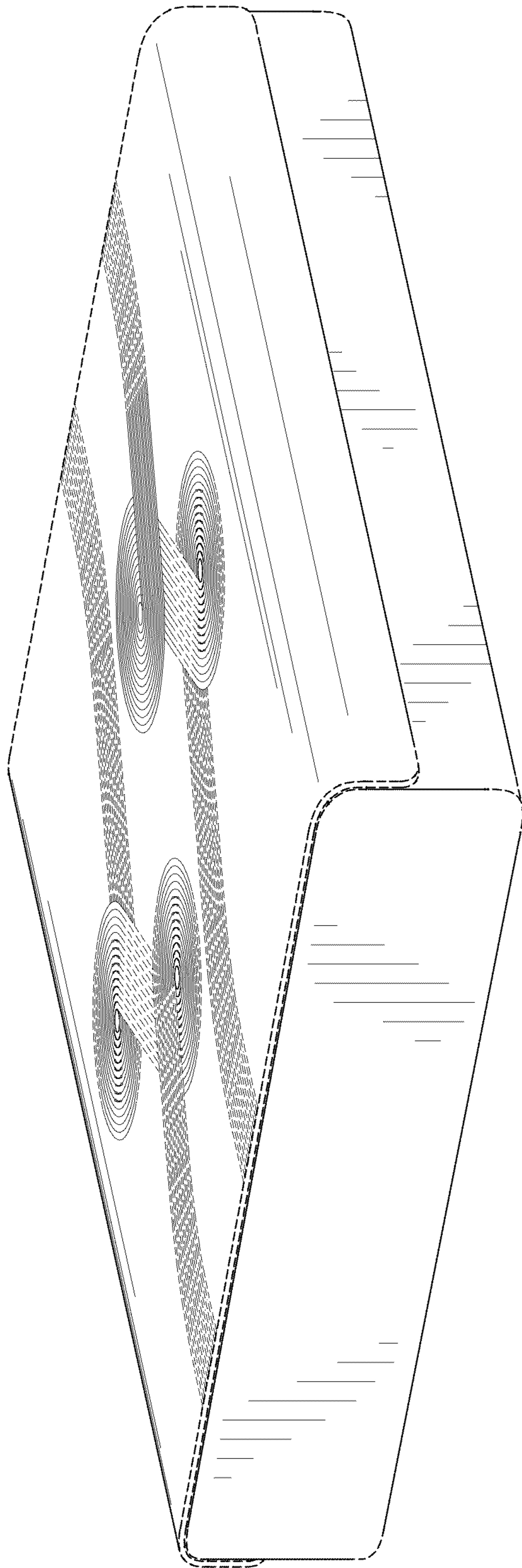


FIG. 7



FIG. 8

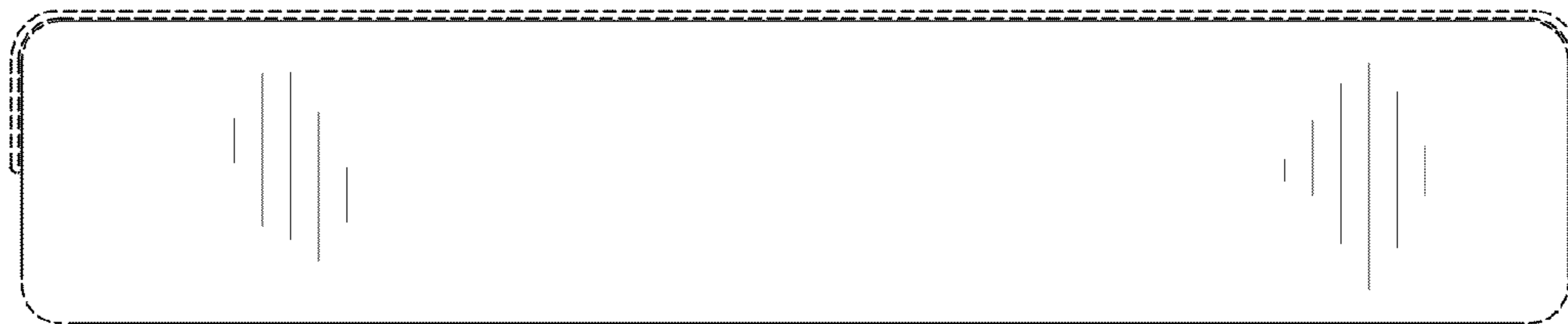


FIG. 9

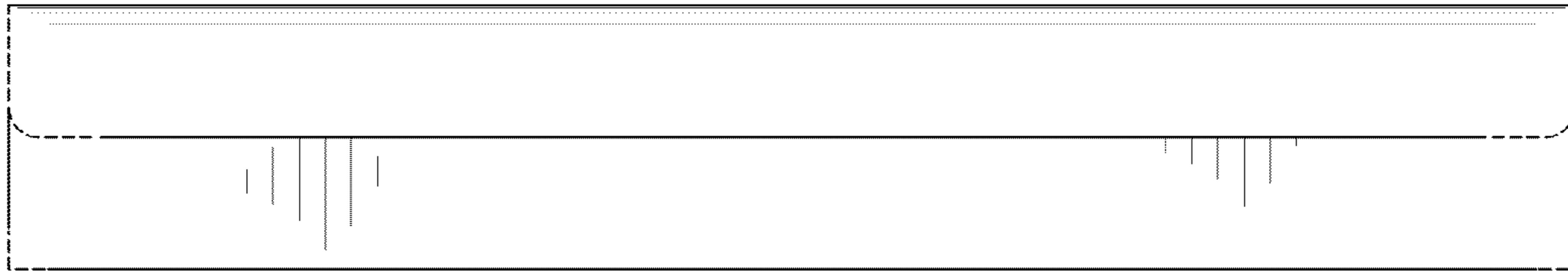


FIG. 10

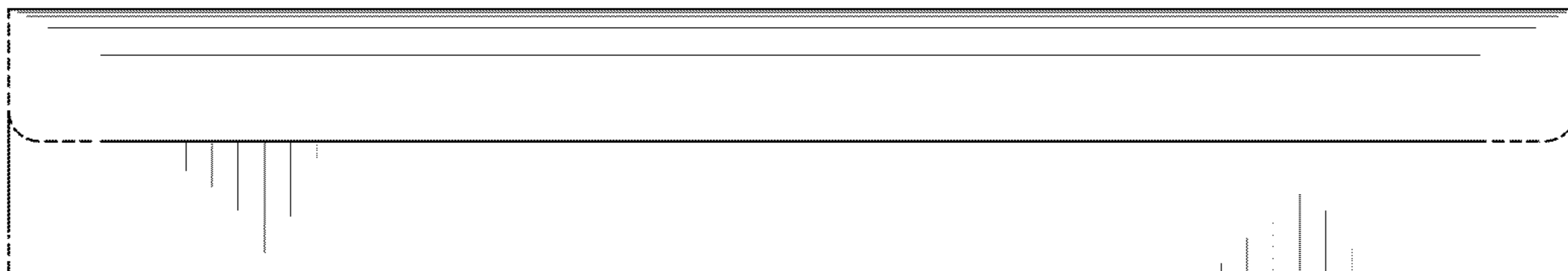


FIG. 11

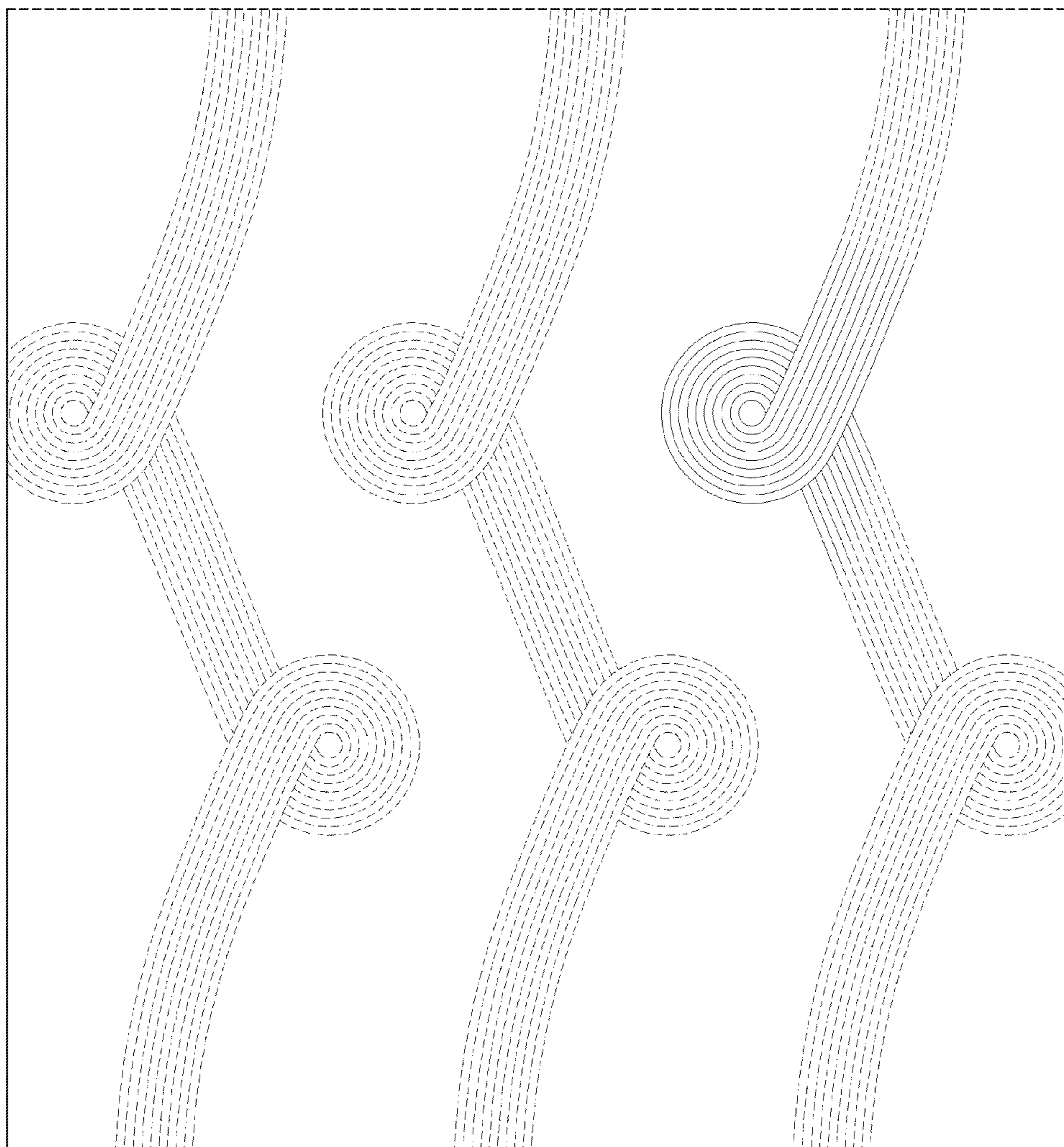


FIG. 12

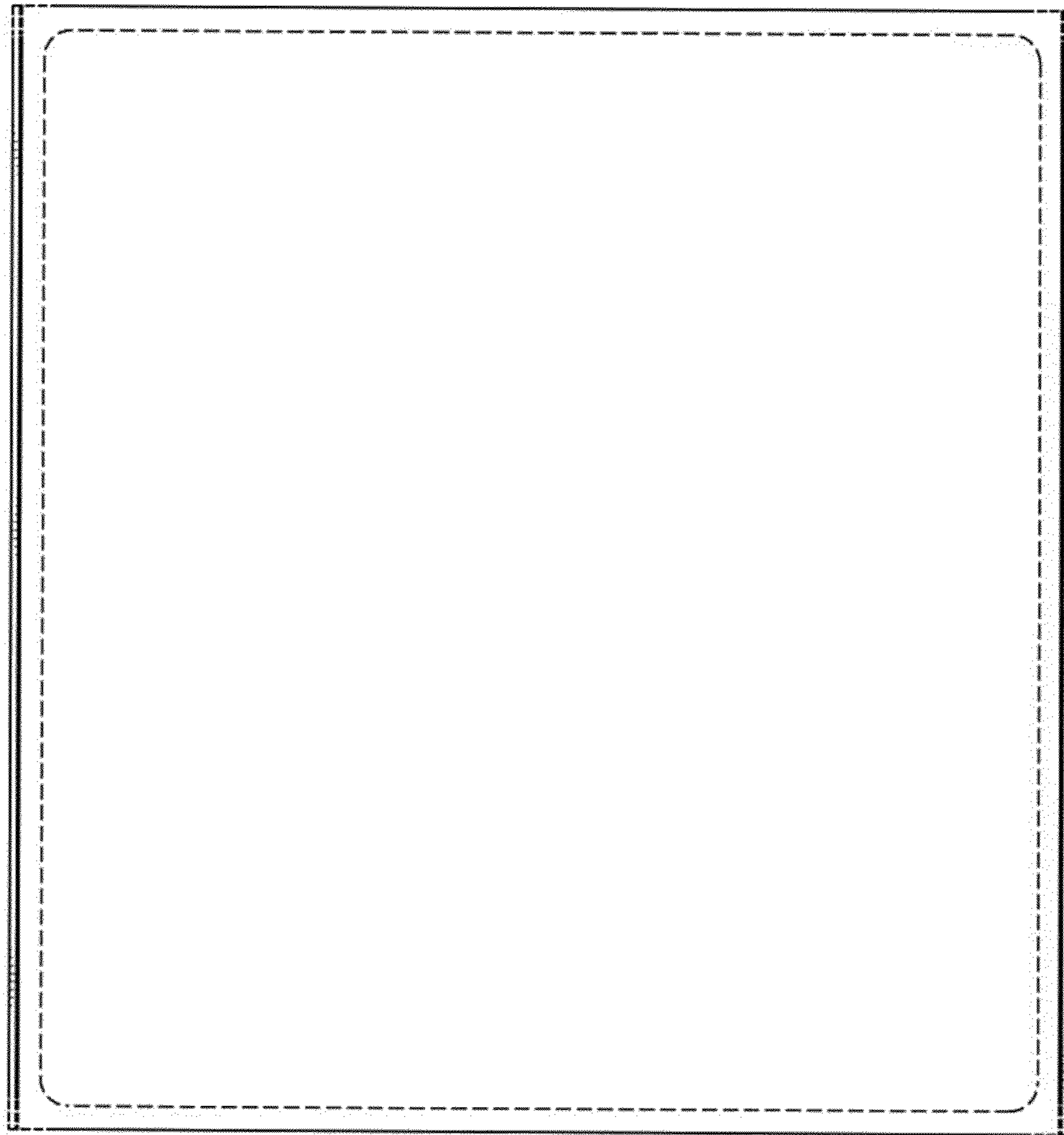


FIG. 13

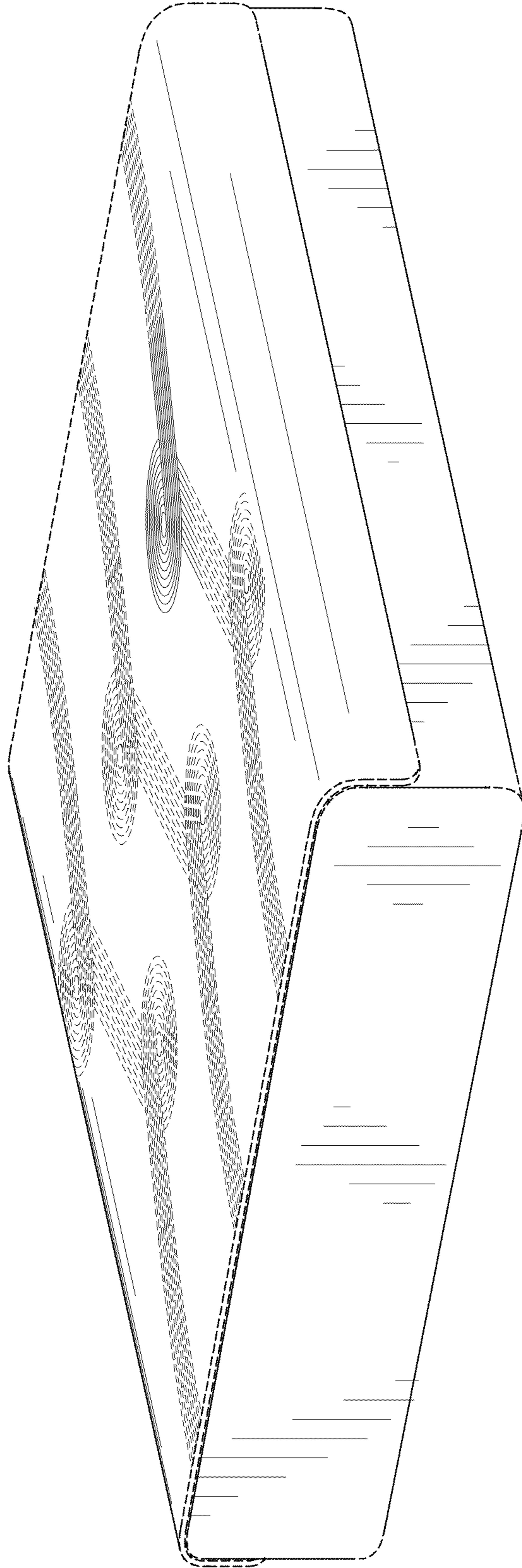


FIG. 14