

US00D746083S

(12) **United States Design Patent**
Jensen et al.

(10) **Patent No.:** **US D746,083 S**

(45) **Date of Patent:** **** Dec. 29, 2015**

(54) **MATTRESS COVER ASSEMBLY**

(56)

References Cited

(71) Applicants: **Ida T. Jensen**, København N (DK);
Elger Oberwelz, San Francisco, CA
(US); **Thomas D. C. Overthun**, San
Francisco, CA (US); **Eric Lopez**, San
Francisco, CA (US); **Isabela Dias de**
Mello Sa, San Francisco, CA (US);
Martin Schnitzer, San Francisco, CA
(US); **Thomas Brisebras**, San Francisco,
CA (US); **Kara W. Johnson**, San
Francisco, CA (US); **Mihoko Ouchi**,
Oakland, CA (US)

U.S. PATENT DOCUMENTS

1,528,153	A	*	3/1925	Kerr	5/655.7
D282,037	S	*	1/1986	Lawson et al.	D6/606
D294,212	S	*	2/1988	Sias et al.	D6/601
6,131,214	A	*	10/2000	Moening et al.	5/81.1 C
D437,722	S	*	2/2001	Ierino et al.	D6/596
6,272,701	B1	*	8/2001	Zafiroglu	5/499
D453,277	S	*	2/2002	Wilson	D6/605
D507,446	S	*	7/2005	Yeh	D6/604
D594,684	S	*	6/2009	Wilson	D6/603
D665,615	S	*	8/2012	Frame et al.	D6/606
D673,411	S	*	1/2013	Roberts et al.	D6/605
D673,412	S	*	1/2013	Roberts et al.	D6/605
D674,229	S	*	1/2013	Roberts et al.	D6/605
D677,964	S	*	3/2013	Agarwall	D6/602
D679,931	S	*	4/2013	Itzkovitz	D6/605
D687,654	S	*	8/2013	Jalan	D6/602
D690,538	S	*	10/2013	Nielsen et al.	D6/605
D690,962	S	*	10/2013	Danileson	D6/605
D691,399	S	*	10/2013	Jalan	D6/602
D691,831	S	*	10/2013	Jorgensen et al.	D6/605
D693,143	S	*	11/2013	Nielsen et al.	D6/605
D693,604	S	*	11/2013	Asklof	D6/605
D703,977	S	*	5/2014	Roberts et al.	D6/605
D704,478	S	*	5/2014	Arnold	D6/605
D704,965	S	*	5/2014	Arnold	D6/605
2006/0075569	A1	*	4/2006	Giori et al.	5/709
2011/0094039	A1	*	4/2011	Tervo et al.	5/691
2011/0173758	A1	*	7/2011	Fontaine	5/709
2013/0205506	A1	*	8/2013	Lachenbruch et al.	5/691
2014/0041126	A1	*	2/2014	Wang	5/712

(72) Inventors: **Ida T. Jensen**, København N (DK);
Elger Oberwelz, San Francisco, CA
(US); **Thomas D. C. Overthun**, San
Francisco, CA (US); **Eric Lopez**, San
Francisco, CA (US); **Isabela Dias de**
Mello Sa, San Francisco, CA (US);
Martin Schnitzer, San Francisco, CA
(US); **Thomas Brisebras**, San Francisco,
CA (US); **Kara W. Johnson**, San
Francisco, CA (US); **Mihoko Ouchi**,
Oakland, CA (US)

(73) Assignee: **Tempur-Pedic Management, LLC**,
Lexington, KY (US)

(**) Term: **14 Years**

(21) Appl. No.: **29/478,163**

(22) Filed: **Dec. 31, 2013**

(51) **LOC (10) Cl.** **06-09**

(52) **U.S. Cl.**
USPC **D6/606**

(58) **Field of Classification Search**
USPC D6/305, 382, 383, 391, 393, 394, 395,
D6/406.6, 595, 596, 601, 602, 603, 604,
D6/605, 606, 607, 622, 690, 718.31;
D5/55, 56, 57, 58, 59, 60, 61; 5/497,
5/499, 500, 501, 502, 626, 646, 647, 655,
5/665, 668, 675, 677, 689, 690, 691, 693,
5/696, 698, 700, 702, 703, 705, 706, 709,
5/712, 717, 719, 720, 721, 727, 733, 737,
5/739, 740

See application file for complete search history.

* cited by examiner

Primary Examiner — Eric Goodman

Assistant Examiner — Bao-Yen Nguyen

(57)

CLAIM

The ornamental design for a mattress cover assembly, as shown and described.

DESCRIPTION

FIG. 1 is a front elevational view of the mattress cover assembly of the present invention;

FIG. 2 is a rear elevational view of the mattress cover assembly of FIG. 1;

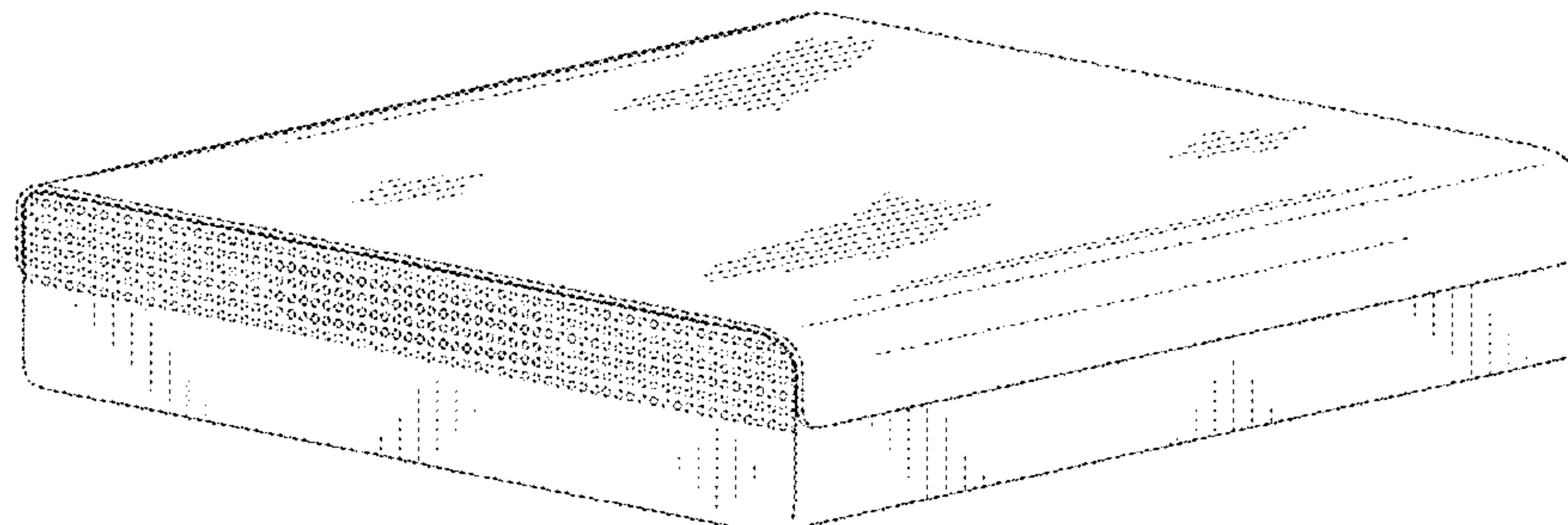


FIG. 3 is a left side elevational view of the mattress cover assembly of FIG. 1;

FIG. 4 is a right side elevational view of the mattress cover assembly of FIG. 1;

FIG. 5 is a top view of the mattress cover assembly of FIG. 1;

FIG. 6 is a bottom view of the mattress cover assembly of FIG. 1;

FIG. 7 is a perspective view of the mattress cover assembly of FIG. 1;

FIG. 8 is a front elevational view of a mattress cover assembly of the present invention in accordance with an alternative embodiment of the mattress cover assembly;

FIG. 9 is a rear elevational view of the mattress cover assembly of FIG. 8;

FIG. 10 is a left side elevational view of the mattress cover assembly of FIG. 8;

FIG. 11 is a right side elevational view of the mattress cover assembly of FIG. 8;

FIG. 12 is a top view of the mattress cover assembly of FIG. 8;

FIG. 13 is a bottom view of the mattress cover assembly of FIG. 8;

FIG. 14 is a perspective view of the mattress cover assembly of FIG. 8;

FIG. 15 is a front elevational view of a mattress cover assembly of the present invention in accordance with another alternative embodiment of the mattress cover assembly;

FIG. 16 is a rear elevational view of the mattress cover assembly of FIG. 15;

FIG. 17 is a left side elevational view of the mattress cover assembly of FIG. 15;

FIG. 18 is a right side elevational view of the mattress cover assembly of FIG. 15;

FIG. 19 is a top view of the mattress cover assembly of FIG. 15;

FIG. 20 is a bottom view of the mattress cover assembly of FIG. 15; and,

FIG. 21 is a perspective view of the mattress cover assembly of FIG. 15.

The broken lines in the drawings depict the portions of the mattress cover assembly that form no part of the claimed design.

1 Claim, 15 Drawing Sheets

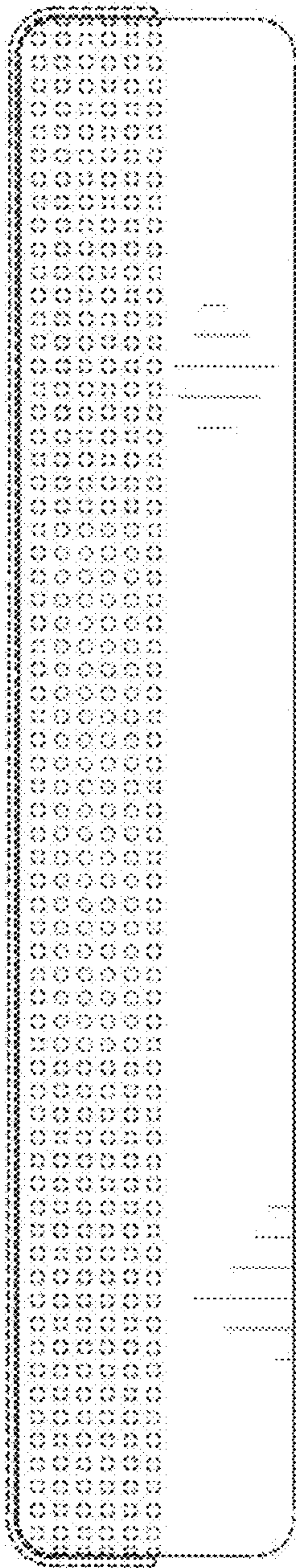


FIG. 1

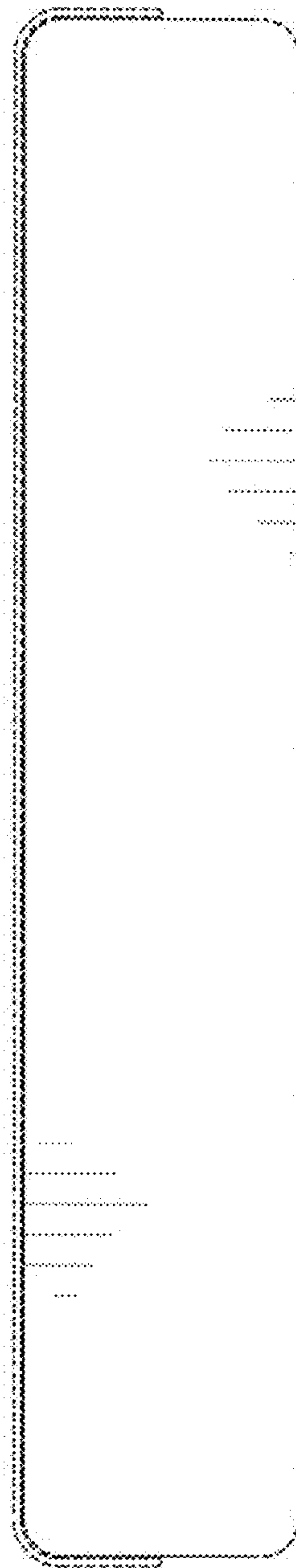


FIG. 2

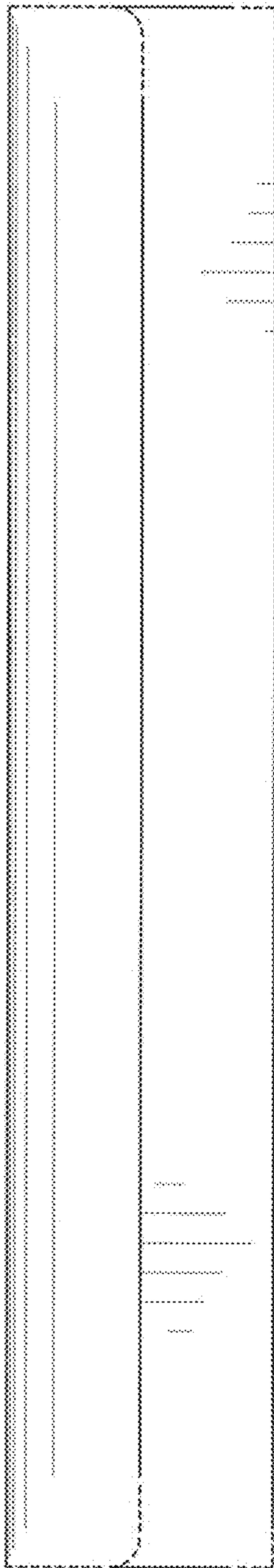


FIG. 3

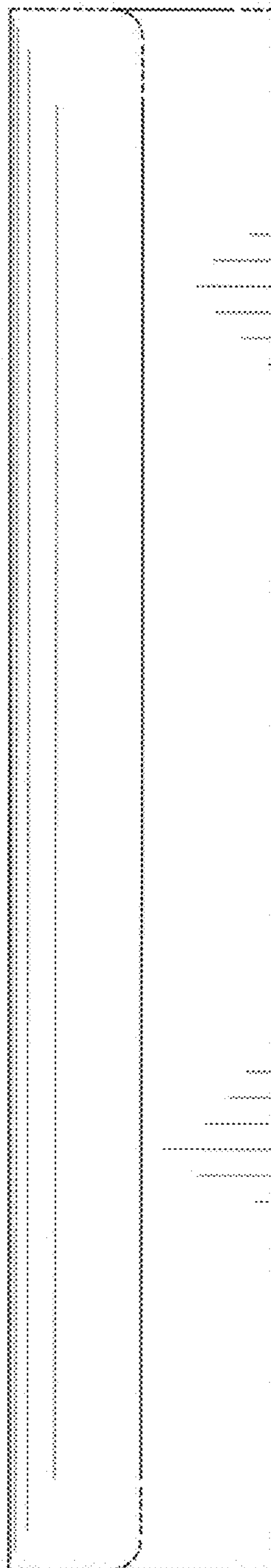


FIG. 4

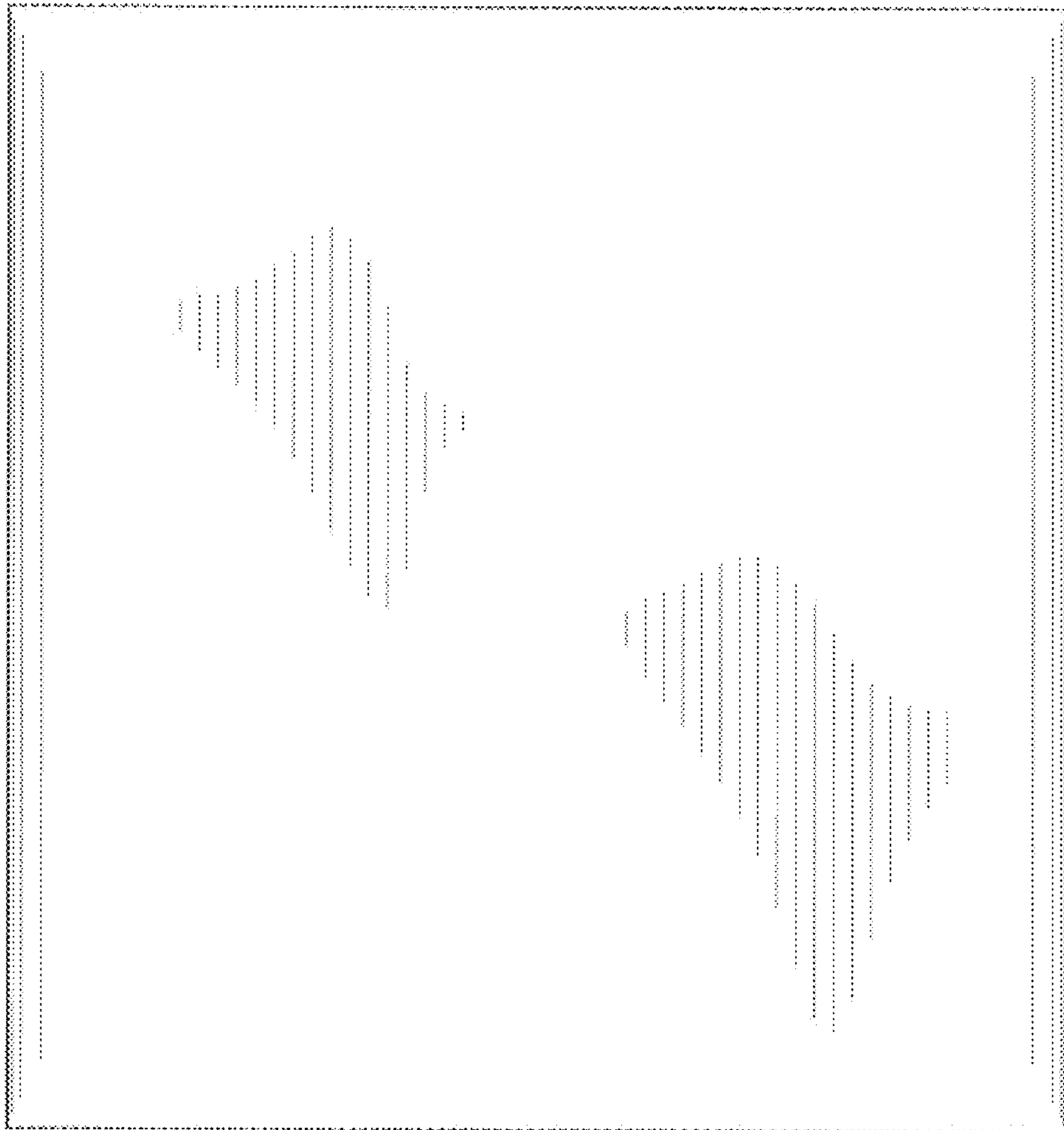


FIG. 5

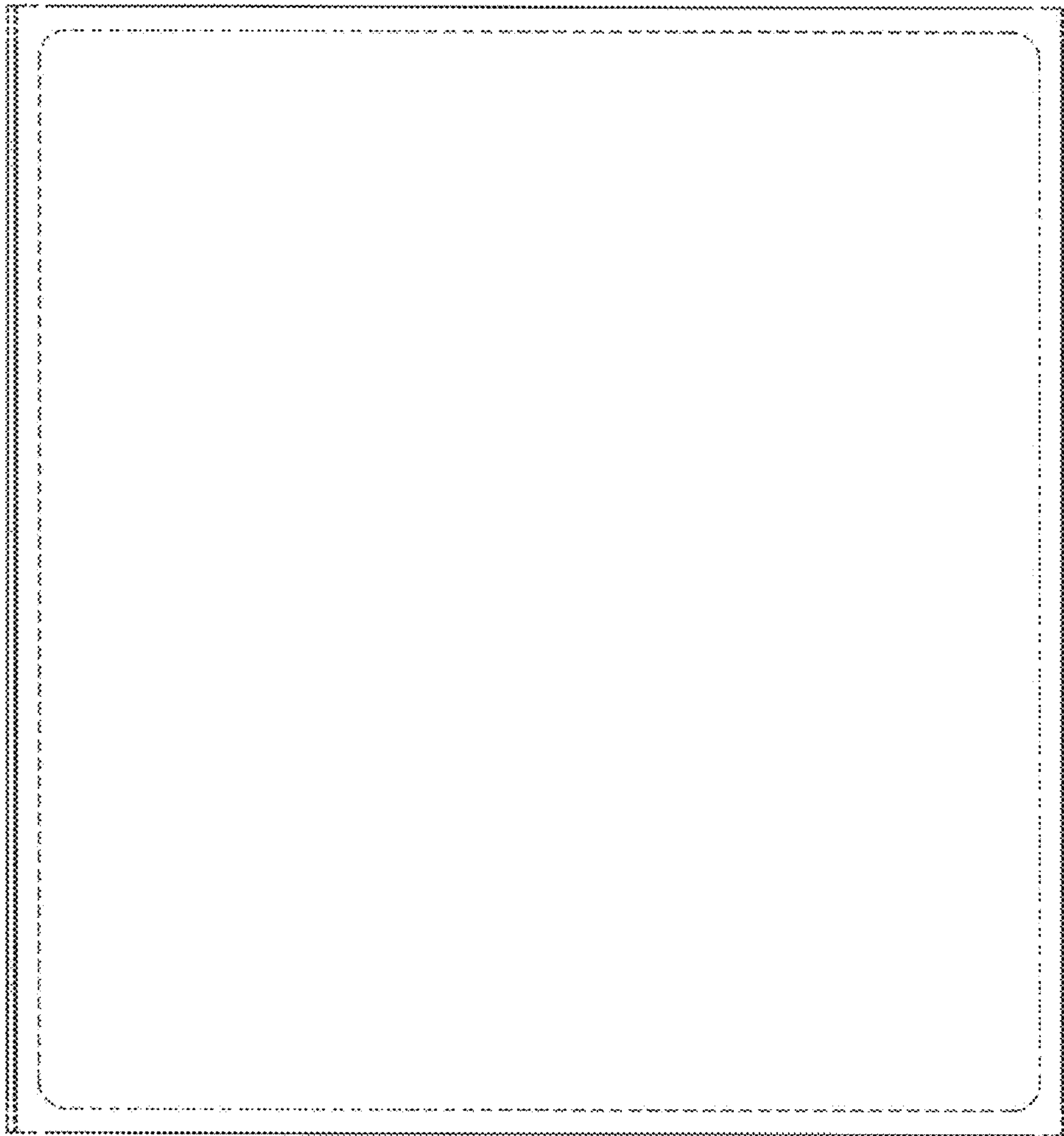


FIG. 6

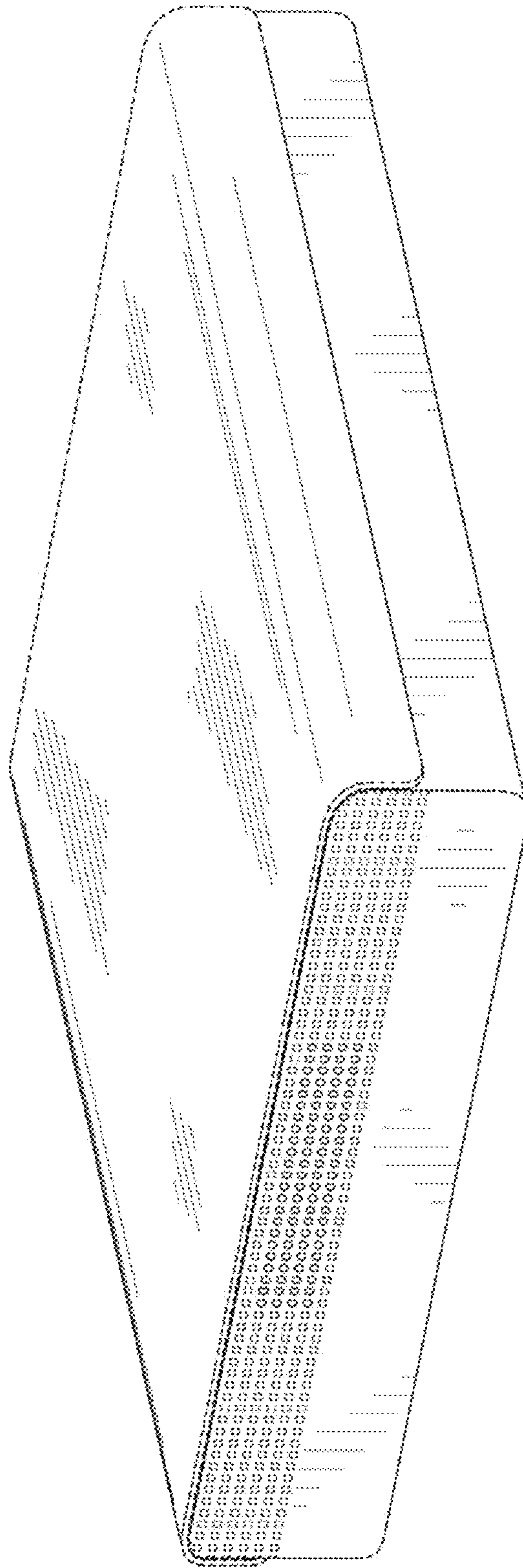


FIG. 7

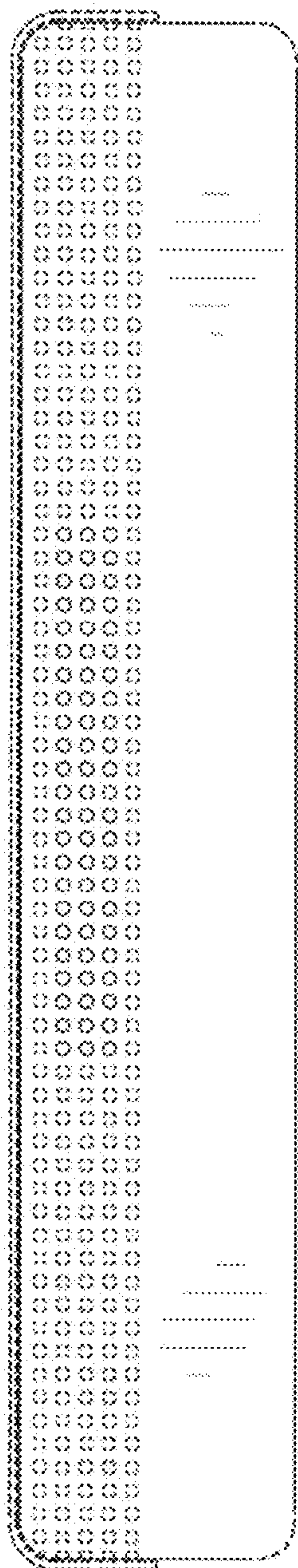


FIG. 8

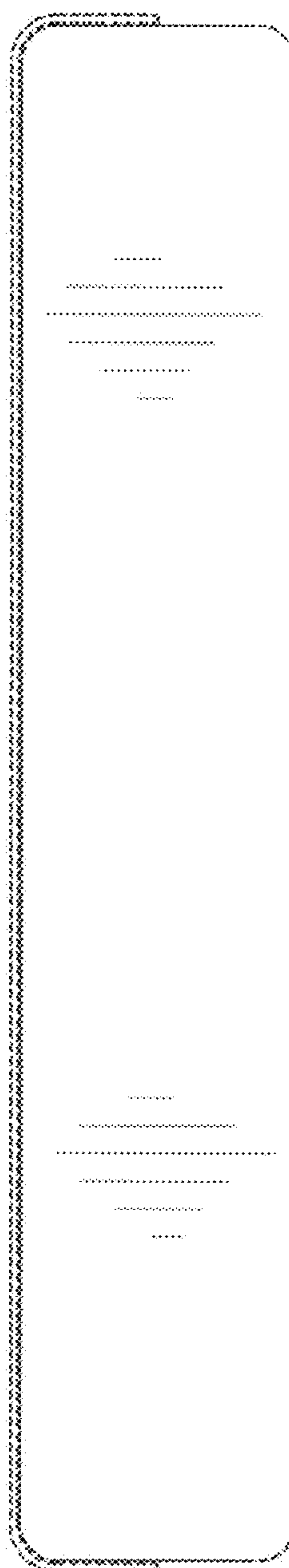


FIG. 9

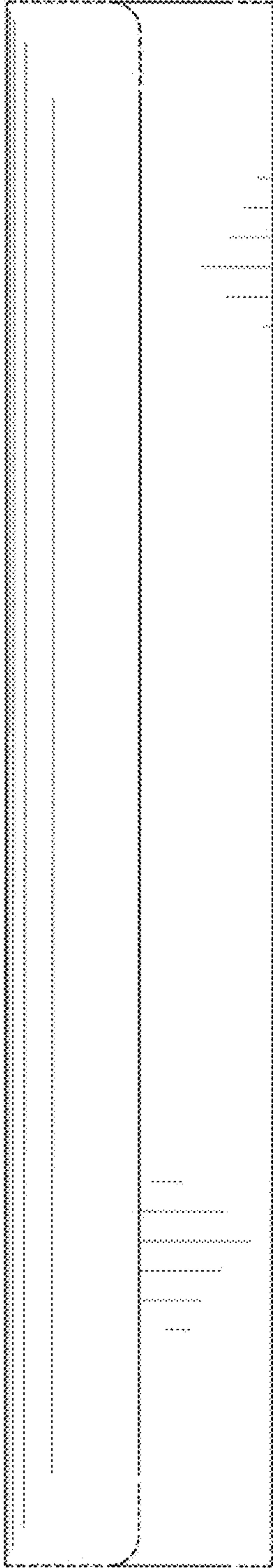


FIG. 10

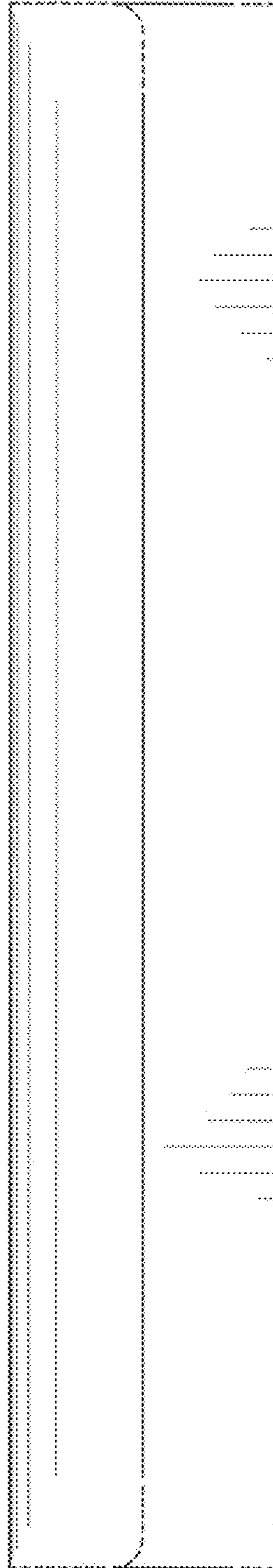


FIG. 11

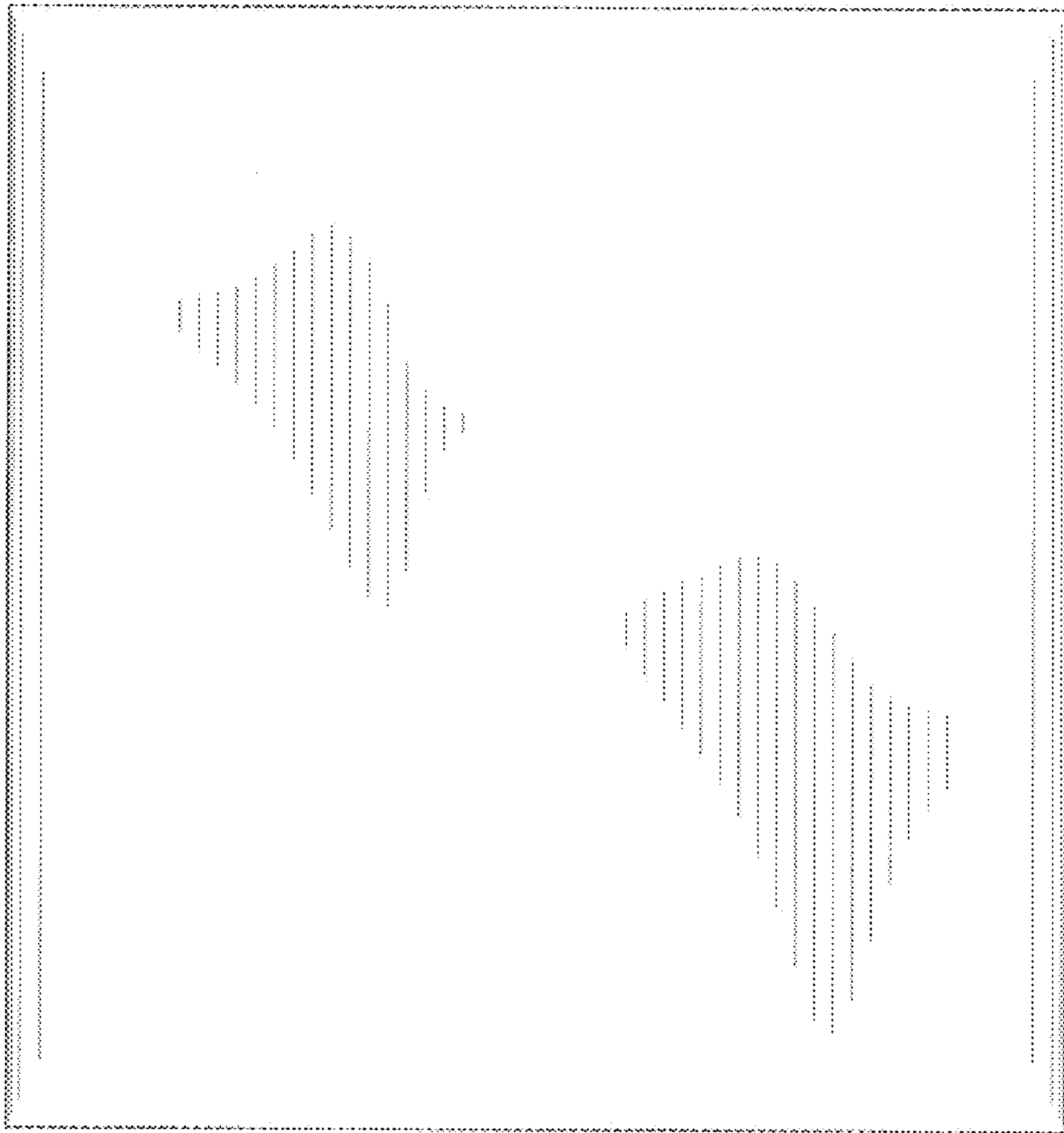


FIG. 12

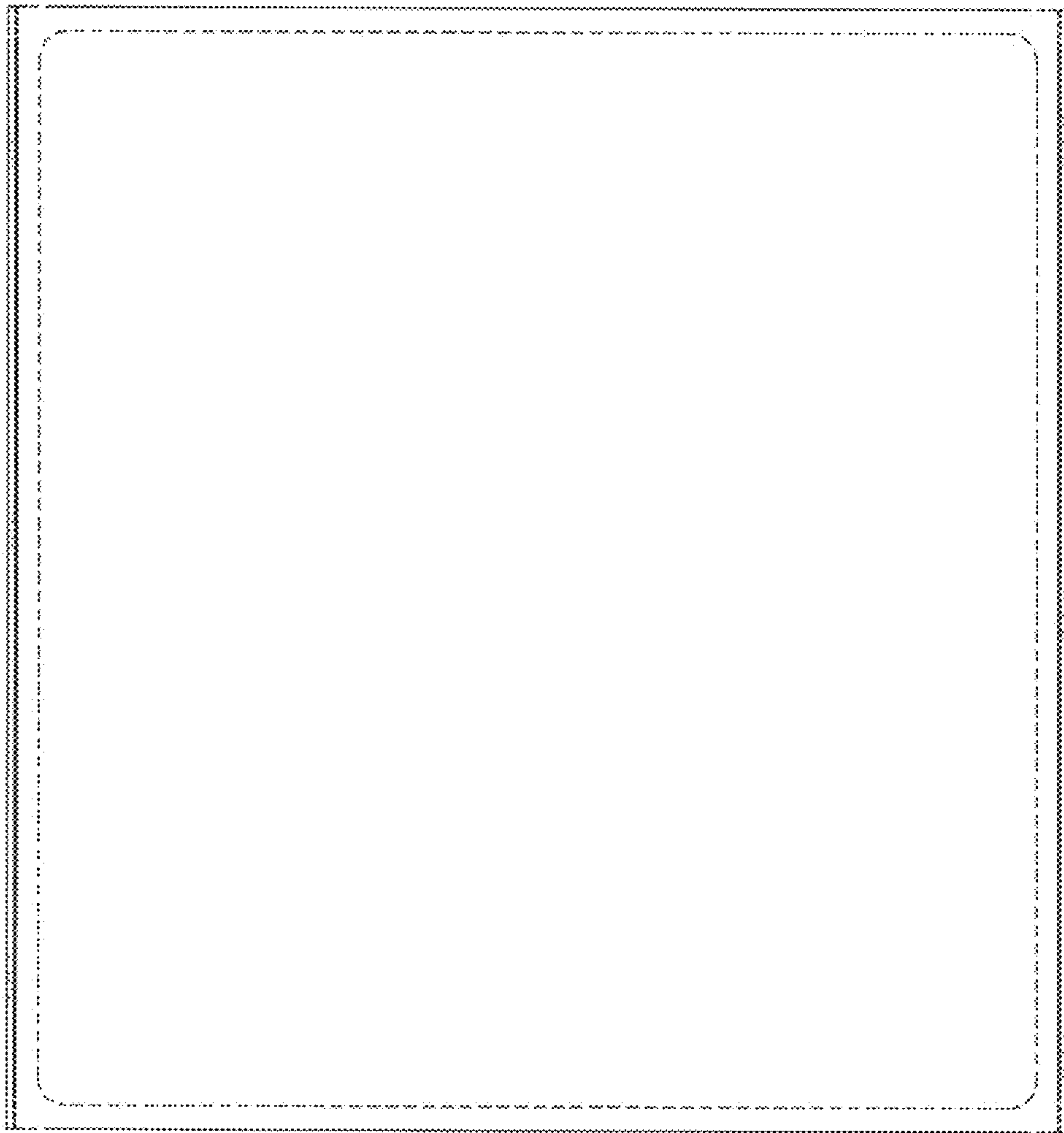


FIG. 13

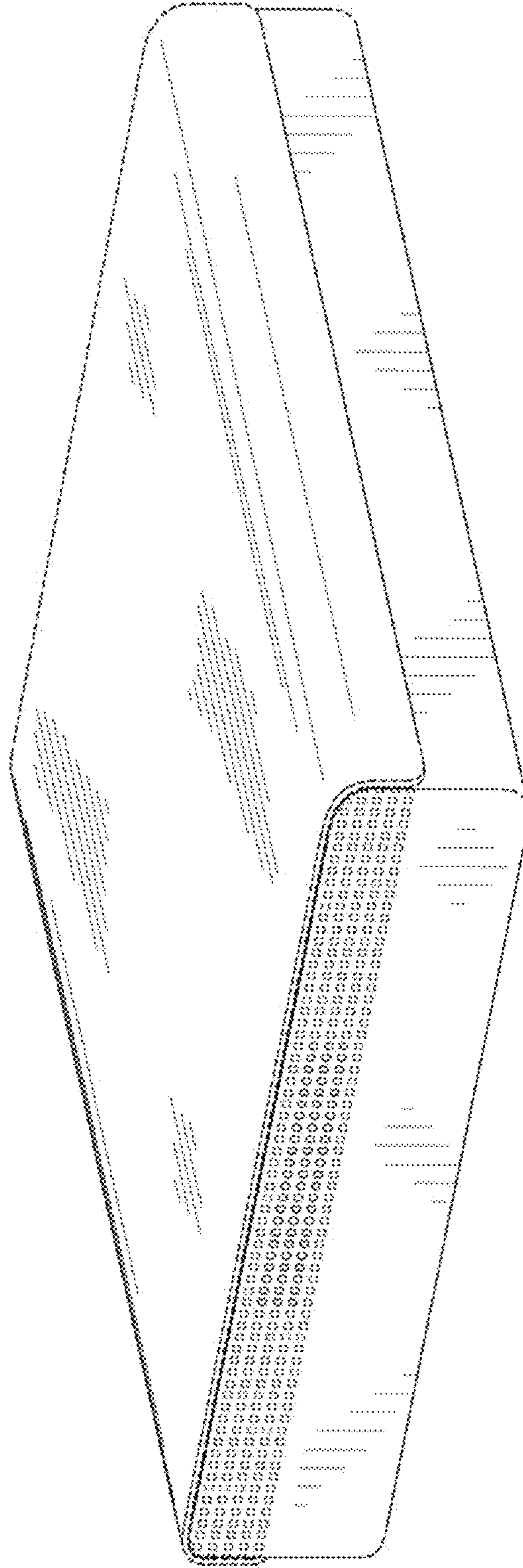


FIG. 14

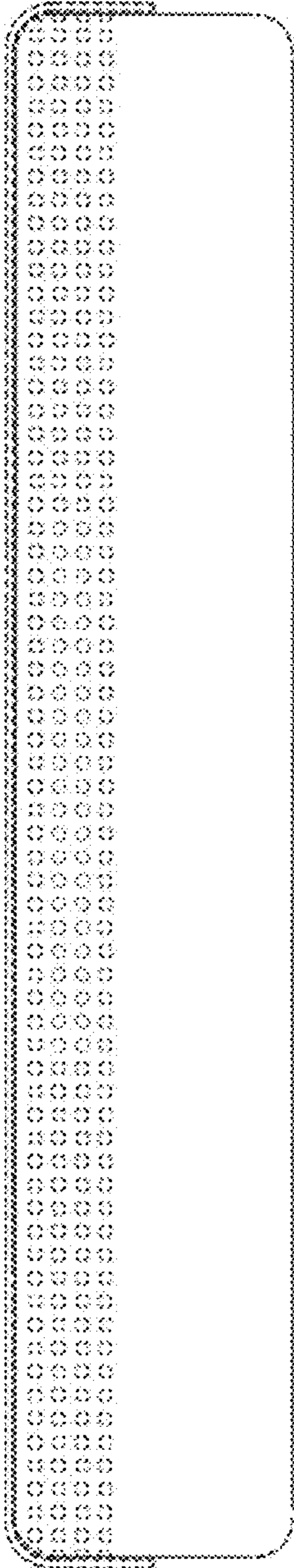


FIG. 15

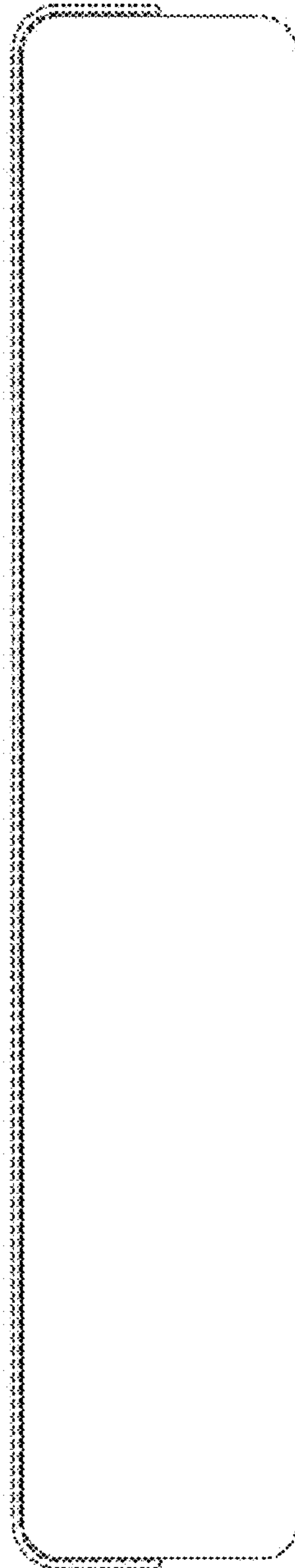


FIG. 16

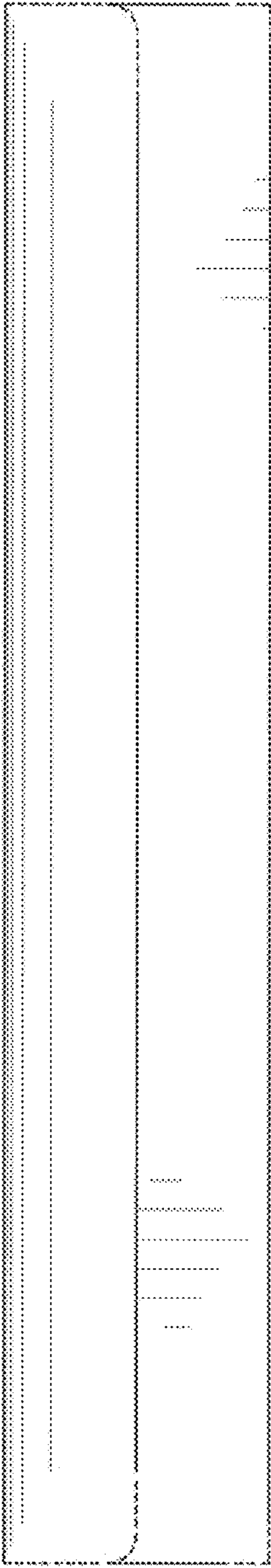


FIG. 17

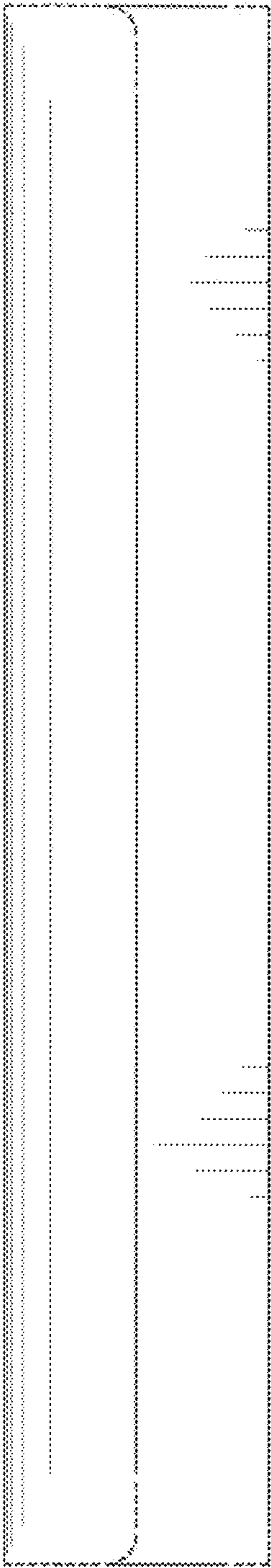


FIG. 18

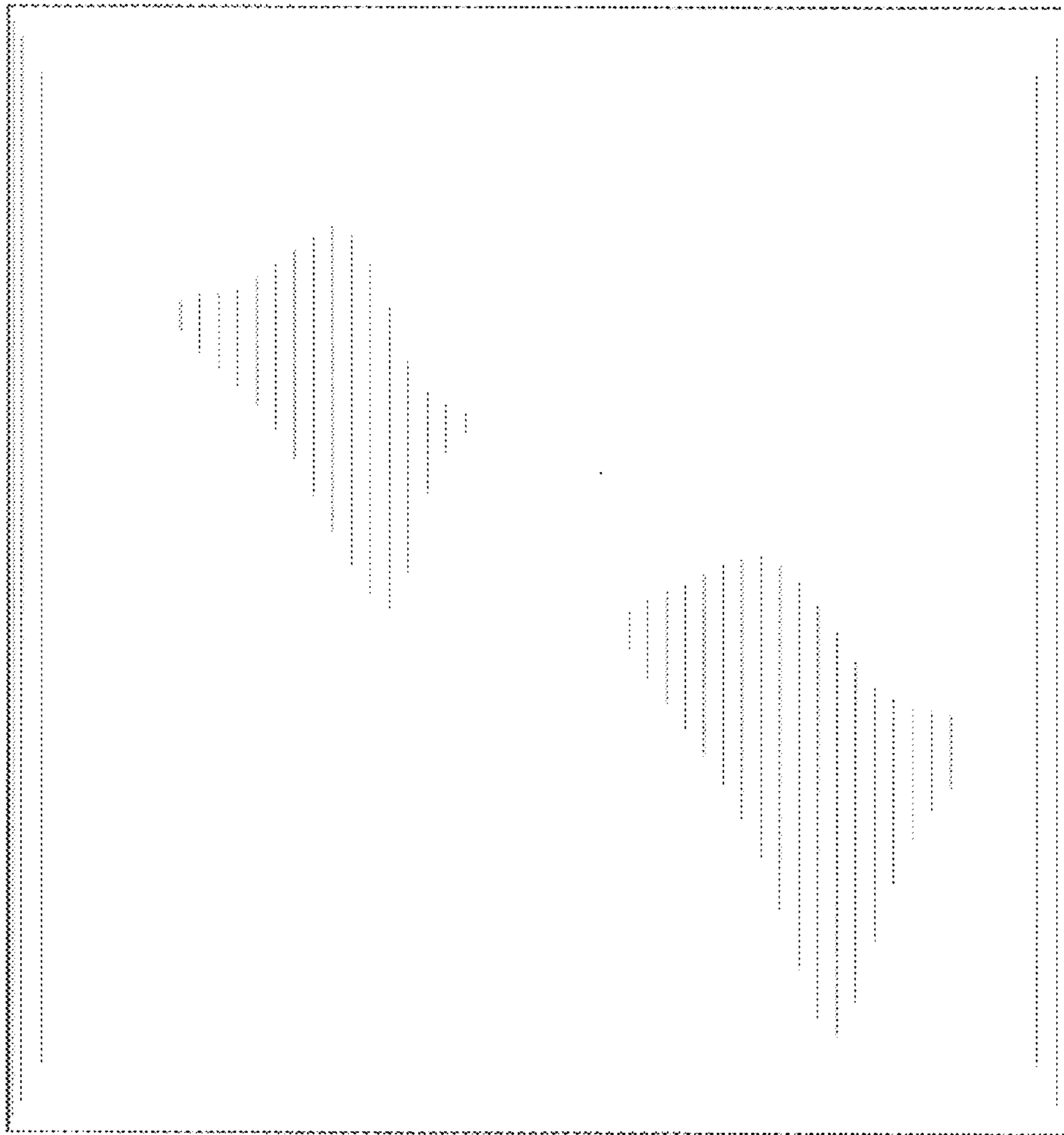


FIG. 19

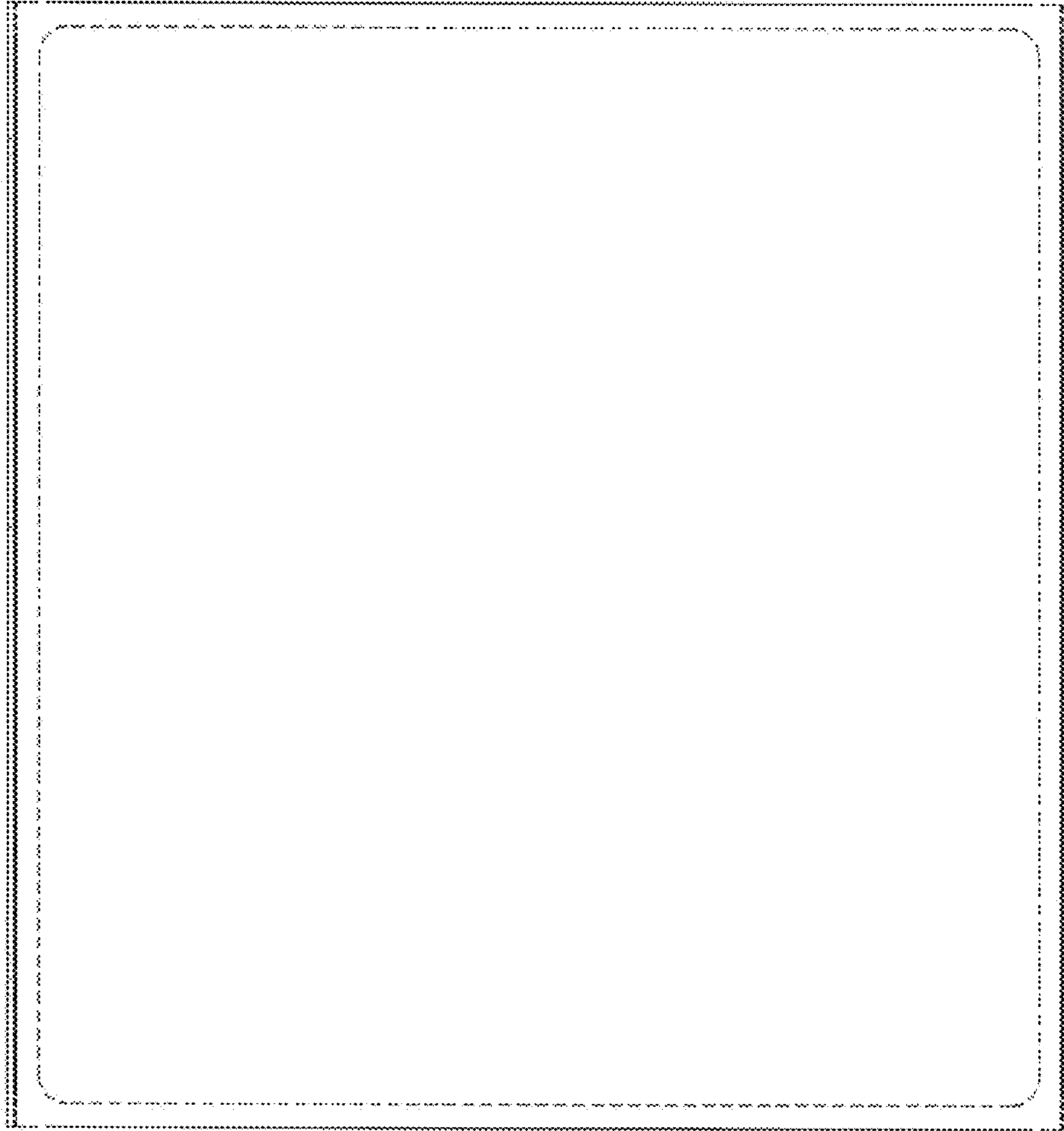


FIG. 20

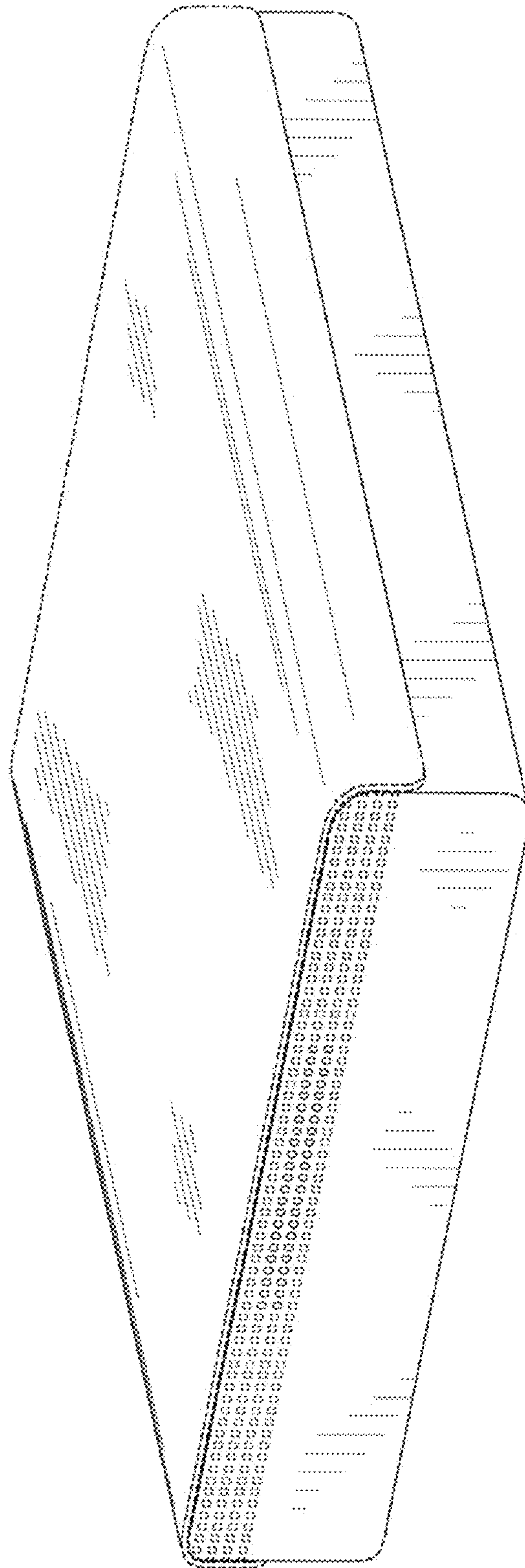


FIG. 21