



US00D746081S

(12) **United States Design Patent**
Hawkins

(10) **Patent No.:** **US D746,081 S**
(45) **Date of Patent:** **** Dec. 29, 2015**

- (54) **MODULAR PILLOW SYSTEM**
- (71) Applicant: **The Sleep Company**, Foster City, CA (US)
- (72) Inventor: **Tanya L. Hawkins**, Foster City, CA (US)
- (73) Assignee: **The Sleep Company**, Foster City, CA (US)
- (**) Term: **15 Years**
- (21) Appl. No.: **29/533,167**
- (22) Filed: **Jul. 15, 2015**

Related U.S. Application Data

- (62) Division of application No. 29/468,419, filed on Sep. 30, 2013, now Pat. No. Des. 737,073.
- (51) **LOC (10) Cl.** **06-09**
- (52) **U.S. Cl.**
USPC **D6/601**
- (58) **Field of Classification Search**
USPC D06/595-601, 604, 605; D21/803, 809; D24/183, 190-193; 5/420, 630-651, 5/652, 655.3, 655.9, 656, 706, 710, 5/690-692, 900, 902, 910, 922, 928-930, 5/932, 935, 948, 953; 128/202.18; 441/40, 66, 80-81, 127; D7/553.2, D7/553.5
CPC A47G 9/10; A47G 9/1009; A47G 2009/1018; A47G 9/1027; A47G 9/1036; A47G 9/1045; A47G 9/1063; A47G 9/1072; A47G 9/1081; A47G 9/109
See application file for complete search history.

(56) **References Cited**

U.S. PATENT DOCUMENTS

- 3,128,480 A * 4/1964 Lineback A47C 27/081 5/706
- 4,916,765 A * 4/1990 Castronovo, Jr. A47G 9/1081 297/284.1

(Continued)

Primary Examiner — Nathaniel D Buckner
(74) *Attorney, Agent, or Firm* — Renner, Otto, Boisselle & Skalar, LLP

(57) **CLAIM**
The ornamental design for a modular pillow system, as shown and described.

DESCRIPTION

FIG. 1 is a perspective view of a modular pillow system showing my new design as seen from the top left end thereof. FIG. 2 is a top view thereof, the bottom view being a mirror image.

FIG. 3 is a right side view thereof.

FIG. 4 is a left side view thereof.

FIG. 5 is a left end view thereof, the right end view being a mirror image.

FIG. 6 is a second perspective view of the modular pillow system of FIG. 1 with portions of the outer cover broken away to show the bolster component and pillow component within the outer cover.

FIG. 7 is a perspective view of the bolster component of the modular pillow system of FIG. 6 as seen from the top left end thereof.

FIG. 8 is a top view of the bolster component of FIG. 7, the bottom view being a mirror image.

FIG. 9 is a right side view of the bolster component of FIG. 7, the left side view being a mirror image.

FIG. 10 is a left end view of the bolster component of FIG. 7, the right end view being a mirror image.

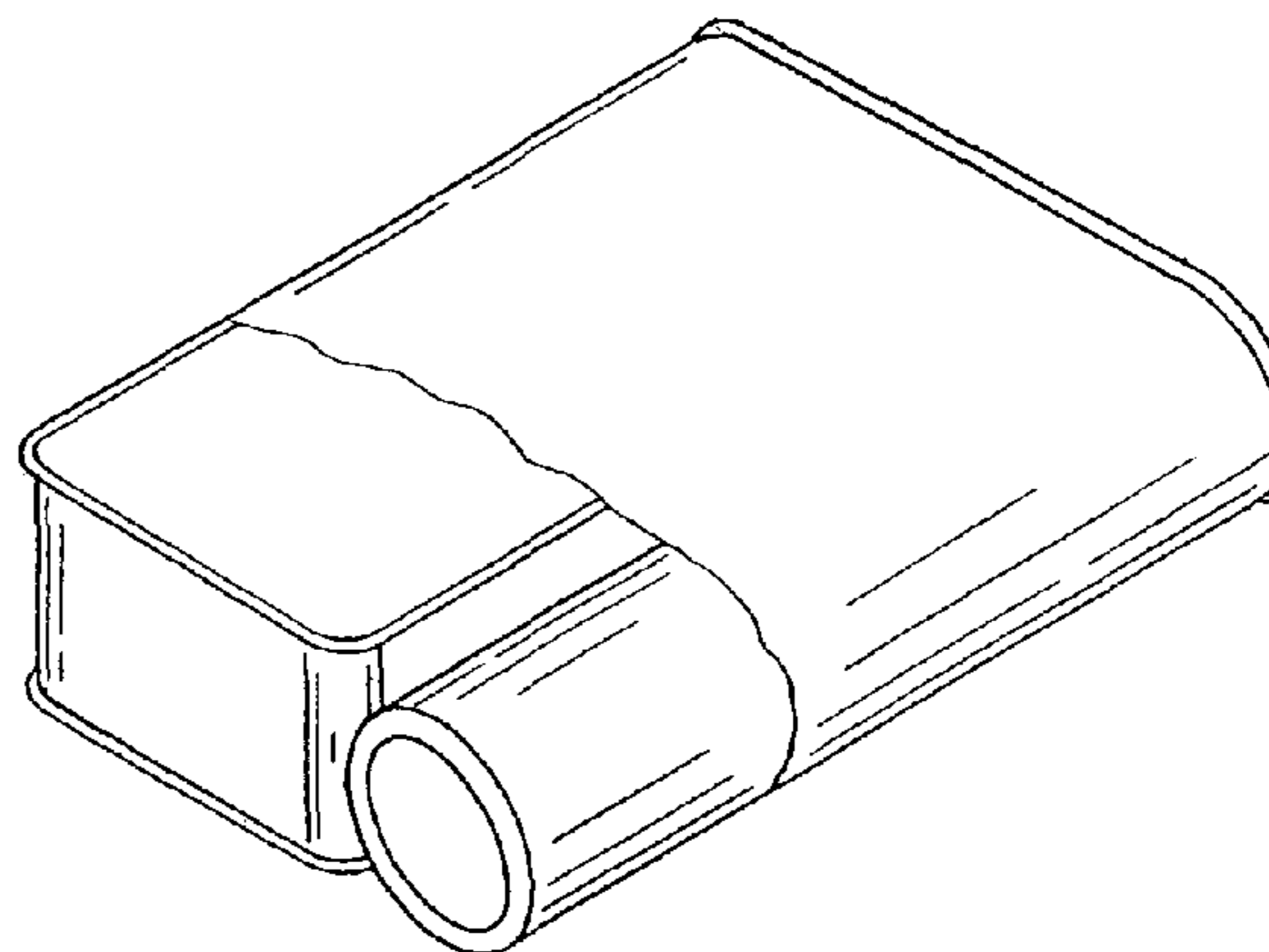
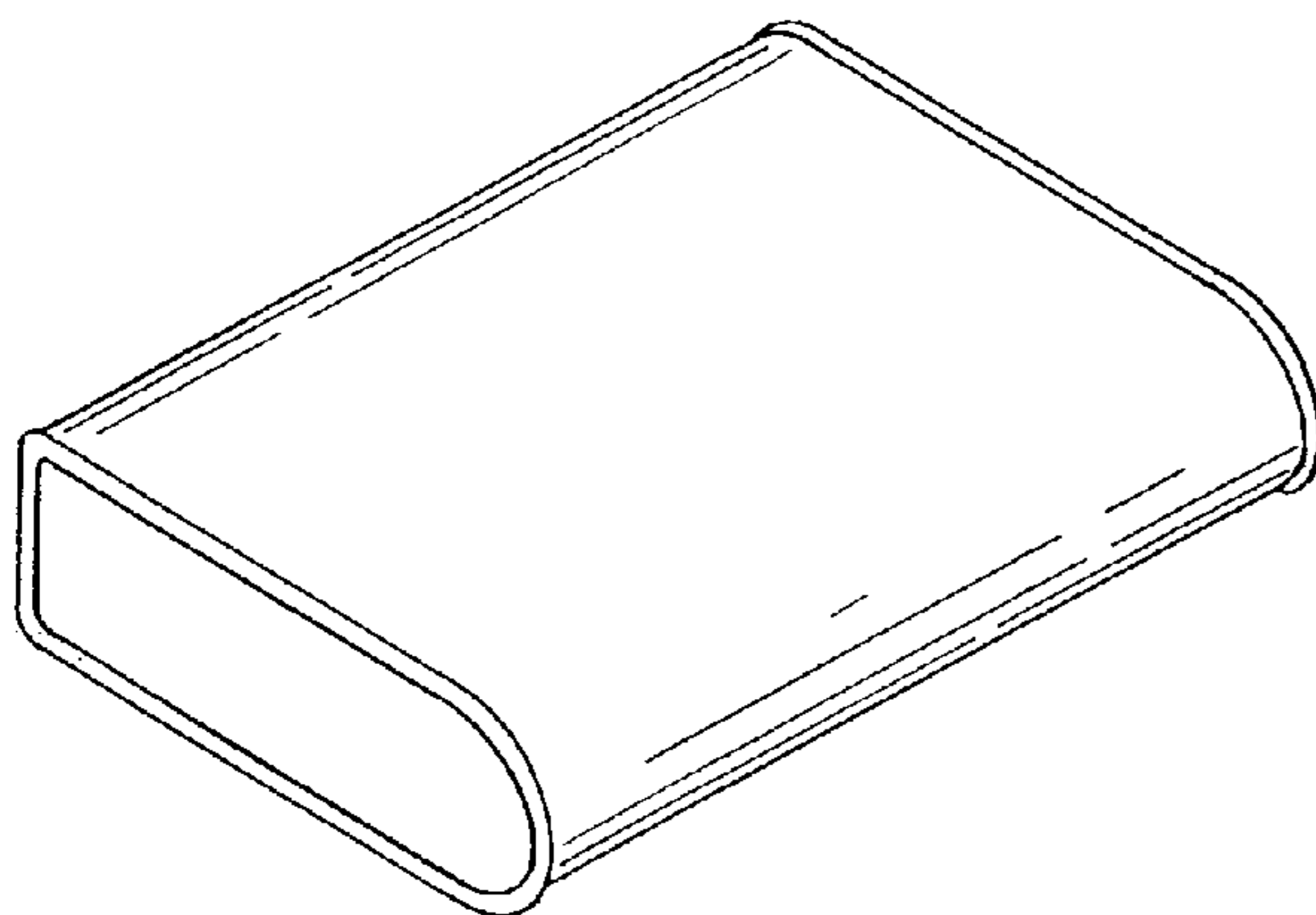
FIG. 11 is a perspective view of the pillow component of the modular pillow system of FIG. 6 as seen from the top left end thereof.

FIG. 12 is a top view of the pillow component of FIG. 11, the bottom view being a mirror image.

FIG. 13 is a right side view of the pillow component of FIG. 11, the left side view being a mirror image; and,

FIG. 14 is a left end view of the pillow component of FIG. 11, the right end view being a mirror image.

1 Claim, 2 Drawing Sheets



(56)

References Cited

U.S. PATENT DOCUMENTS

D353,494 S *	12/1994	Beger	5/655				
6,490,743 B1 *	12/2002	Adat	A47G 9/0253 5/490				
D651,770 S *	1/2012	Seliskar	D30/160				
D670,122 S *	11/2012	Childress	D6/601				
D672,182 S *	12/2012	Mischak	D6/601				
D691,828 S *	10/2013	Rosenberg	D6/601				
D699,482 S *	2/2014	Kearns	D6/601				
D699,483 S *	2/2014	Berg	D6/601				
8,656,537 B2 *	2/2014	Leifermann	A47G 9/0253 5/636				
					D701,713 S *	4/2014	Kertesz D6/601
					D706,061 S *	6/2014	Evans D6/601
					2001/0003219 A1 *	6/2001	Chou A47G 9/10 5/636
					2004/0133987 A1 *	7/2004	Reeder A61G 7/05776 5/713
					2007/0022540 A1 *	2/2007	Hochschild A47C 27/001 5/727
					2007/0094801 A1 *	5/2007	Kuo A43B 13/02 5/655.5
					2009/0038078 A1 *	2/2009	House A47G 9/10 5/636
					2013/0232695 A1 *	9/2013	Koci A47G 9/1081 5/640

* cited by examiner

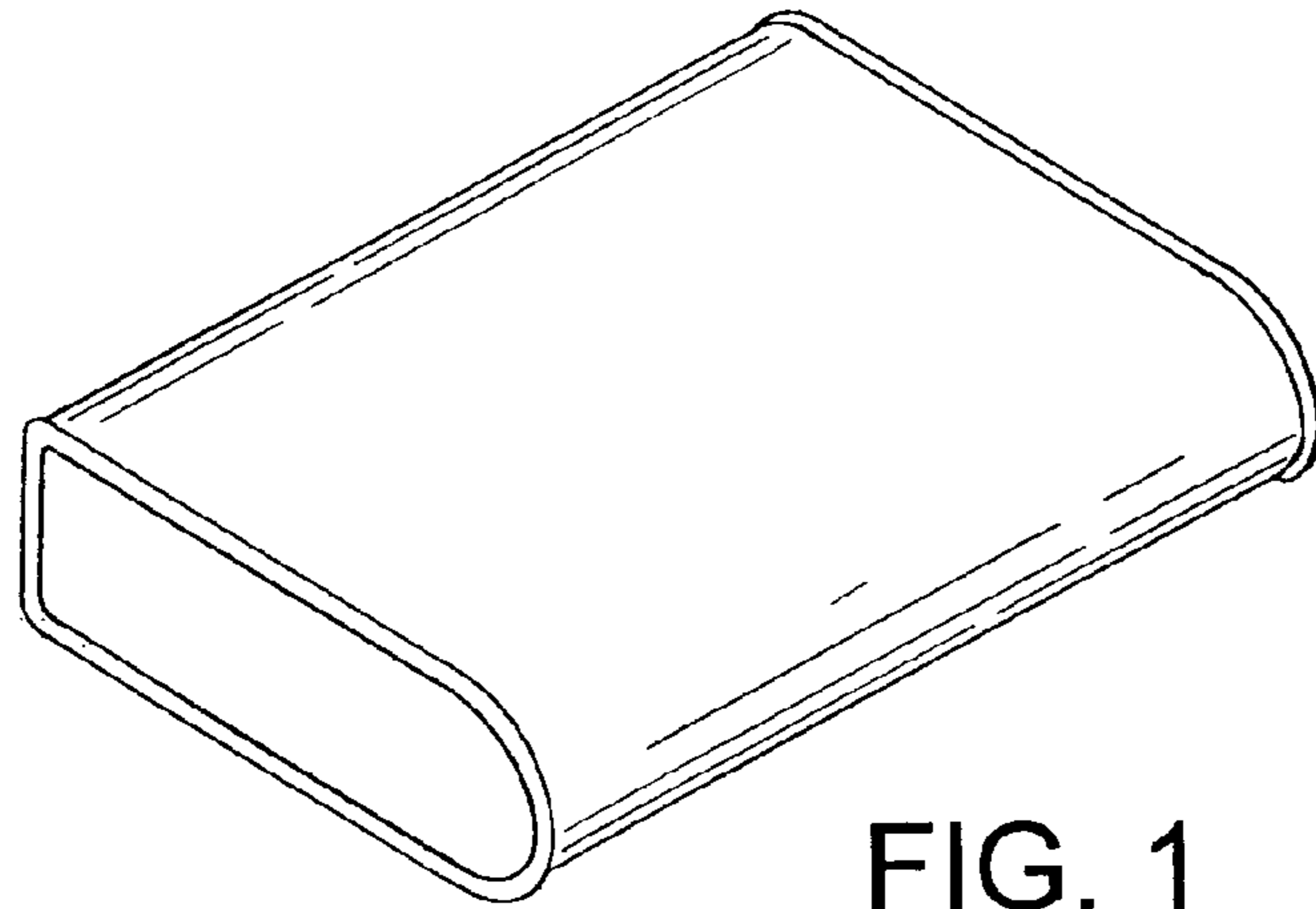


FIG. 1

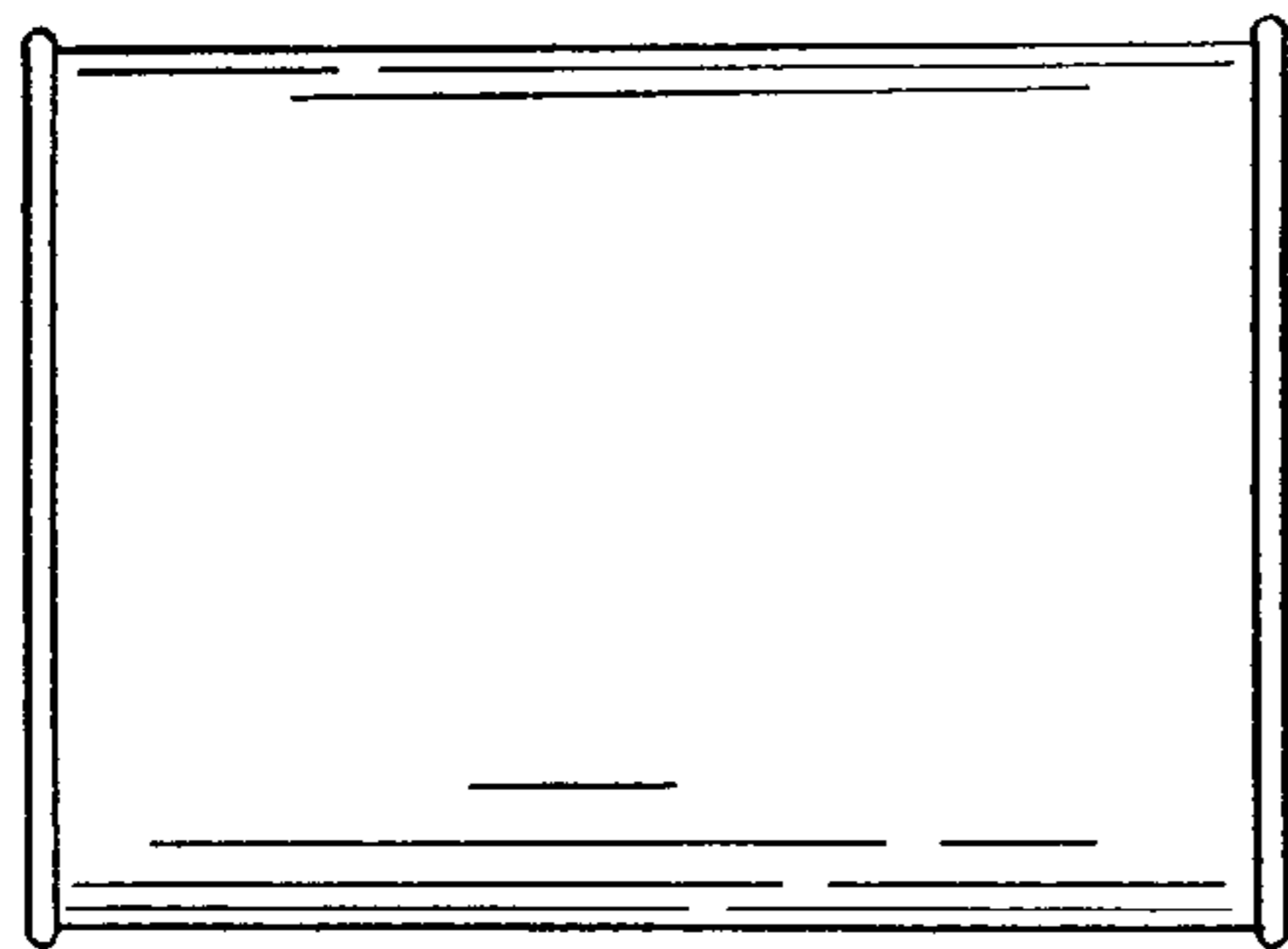


FIG. 2

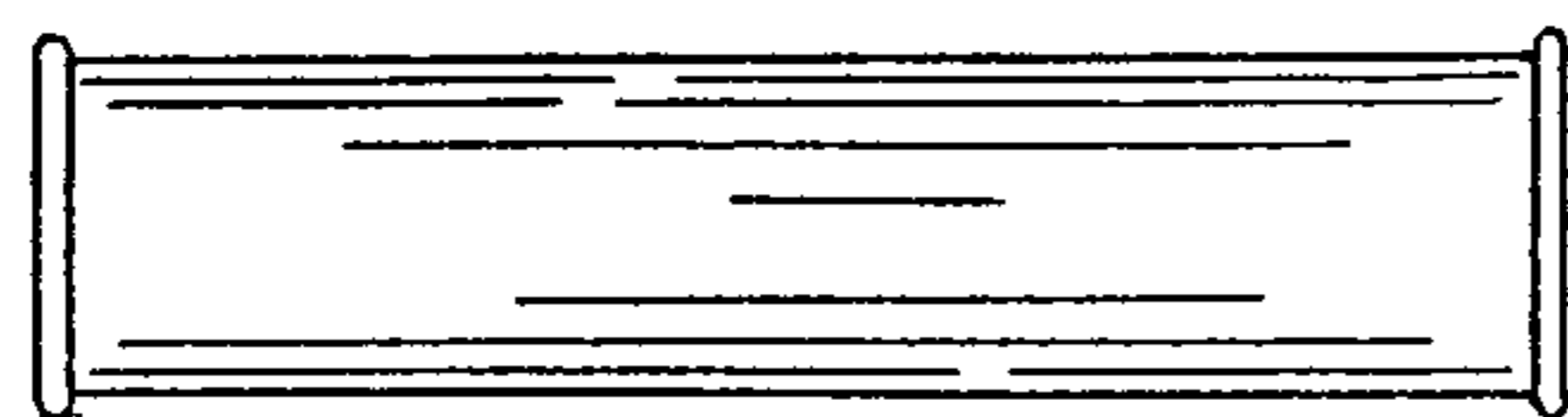


FIG. 3

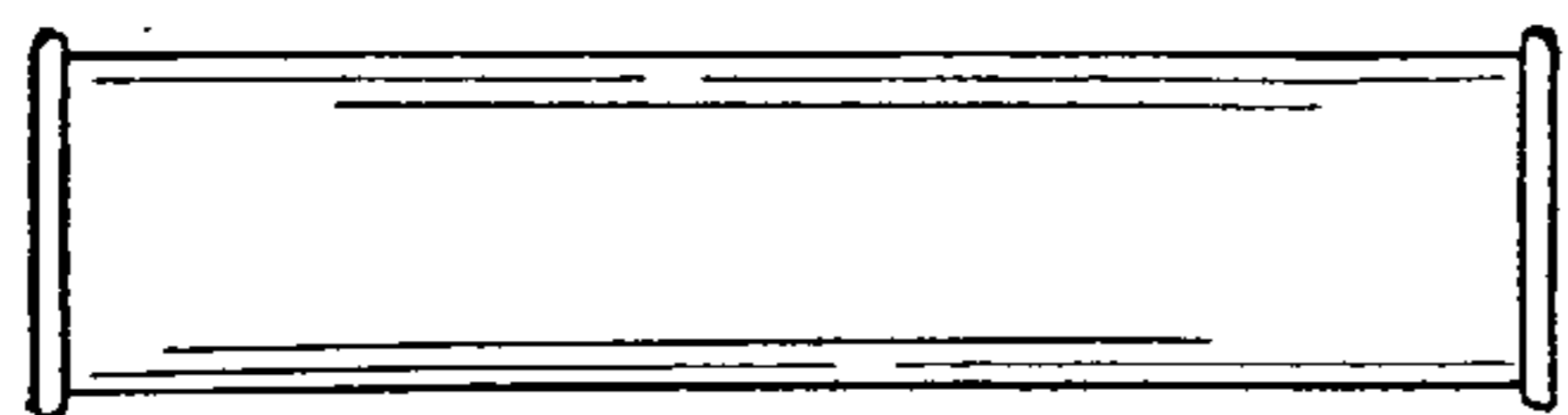


FIG. 4

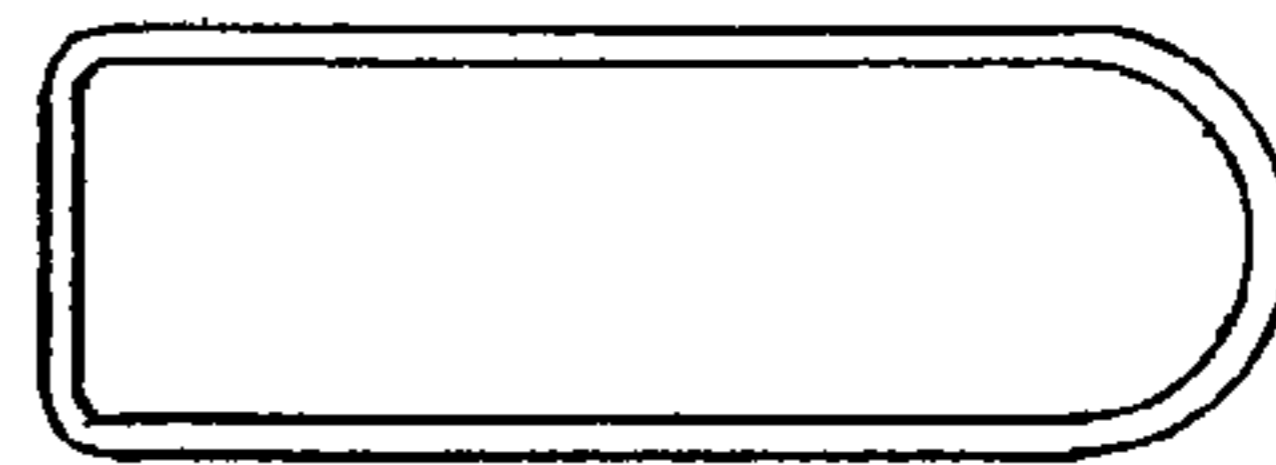


FIG. 5

FIG. 6

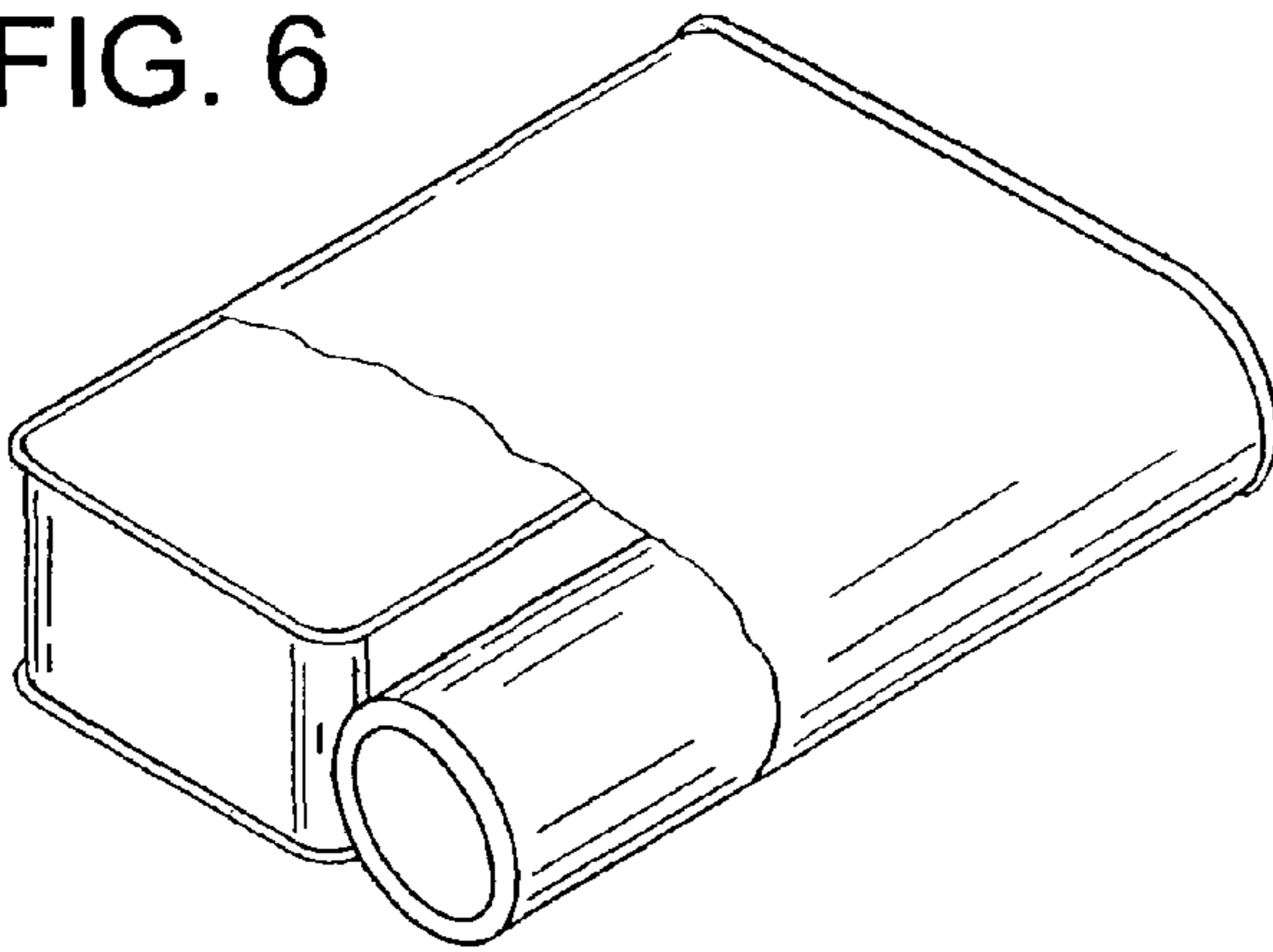


FIG. 7

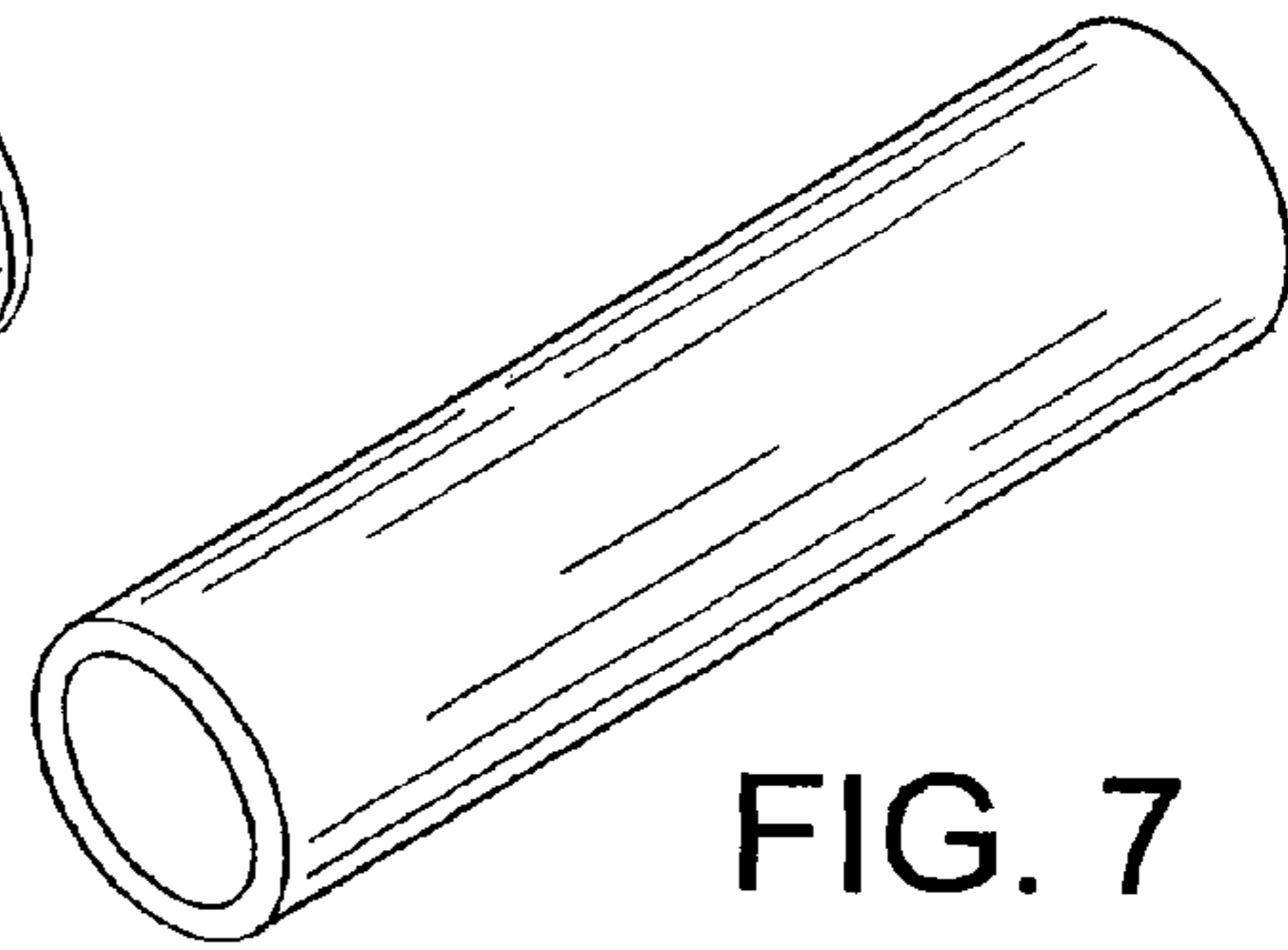


FIG. 8

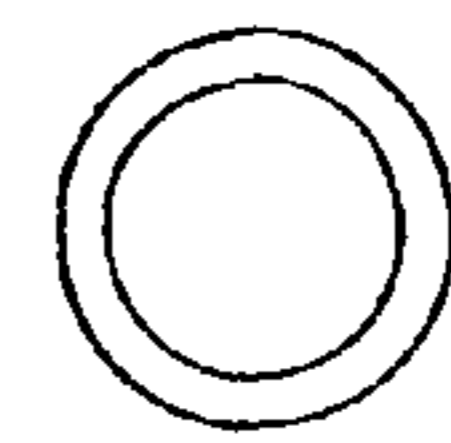
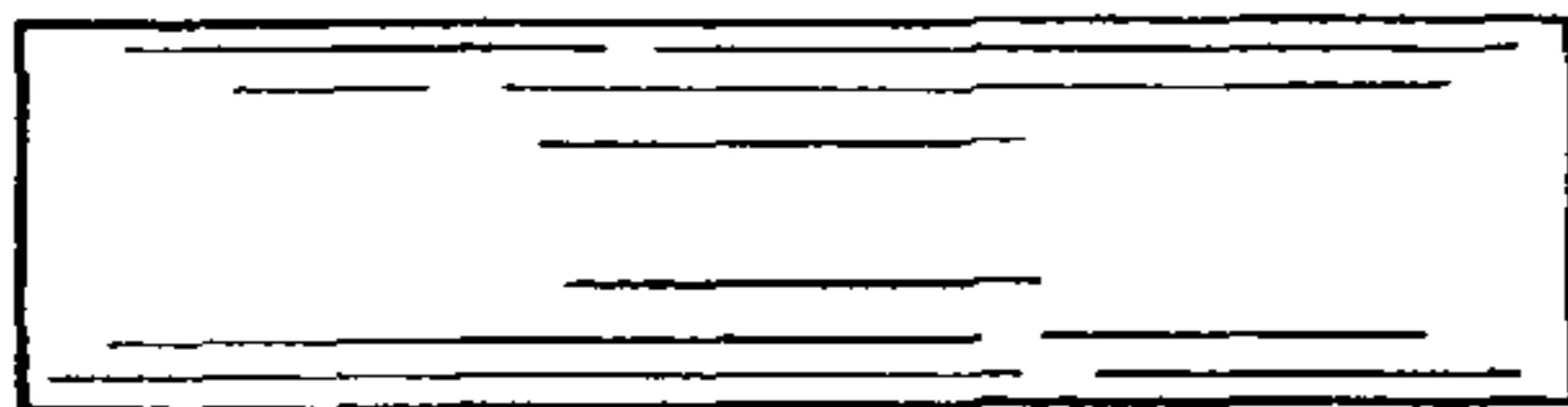


FIG. 10

FIG. 9

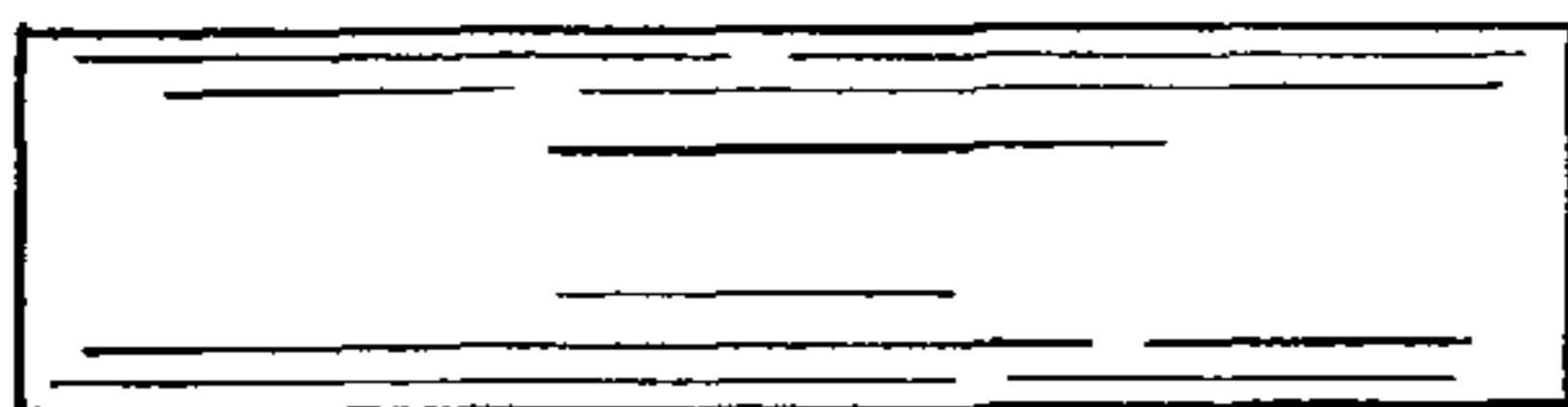


FIG. 11

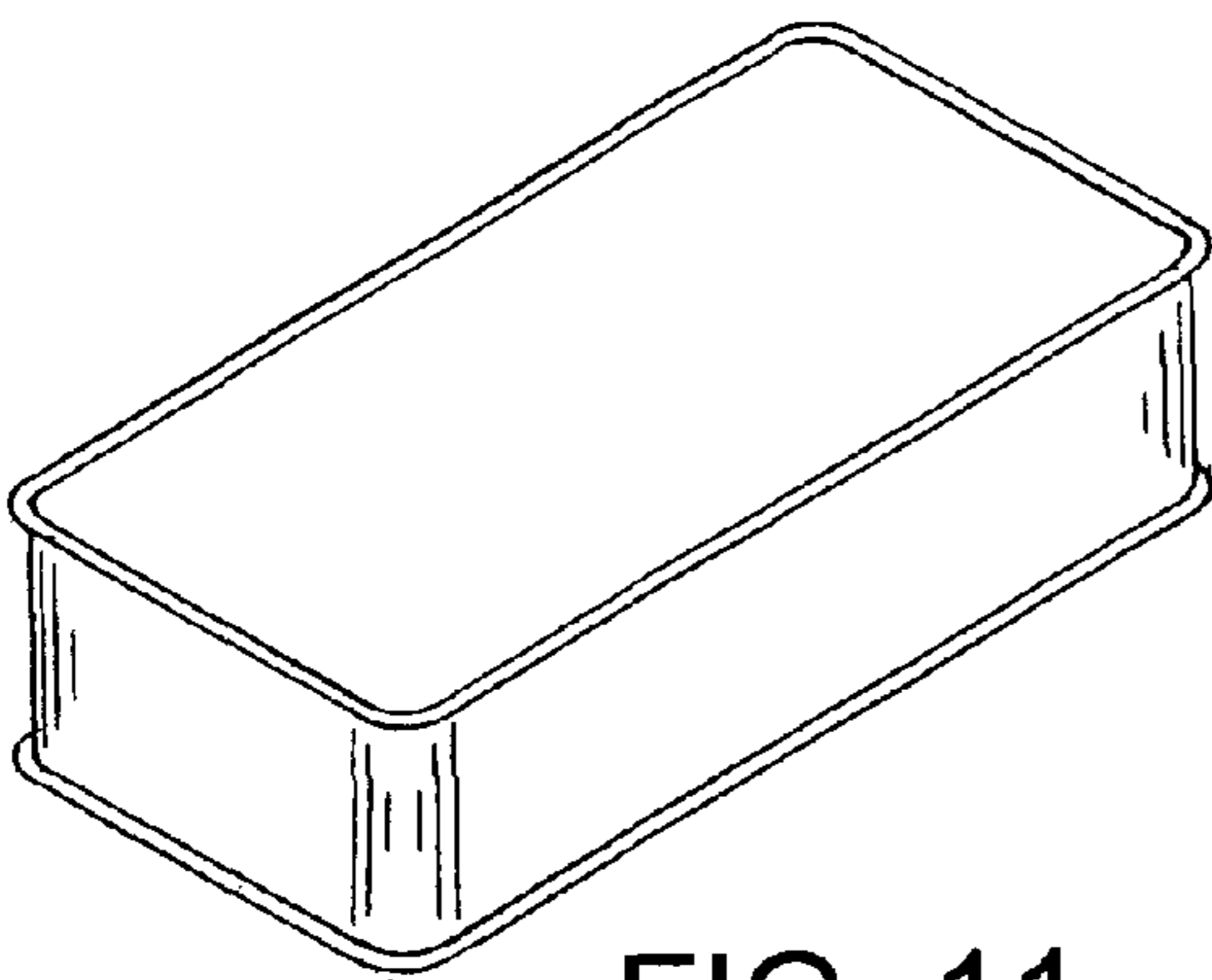


FIG. 12

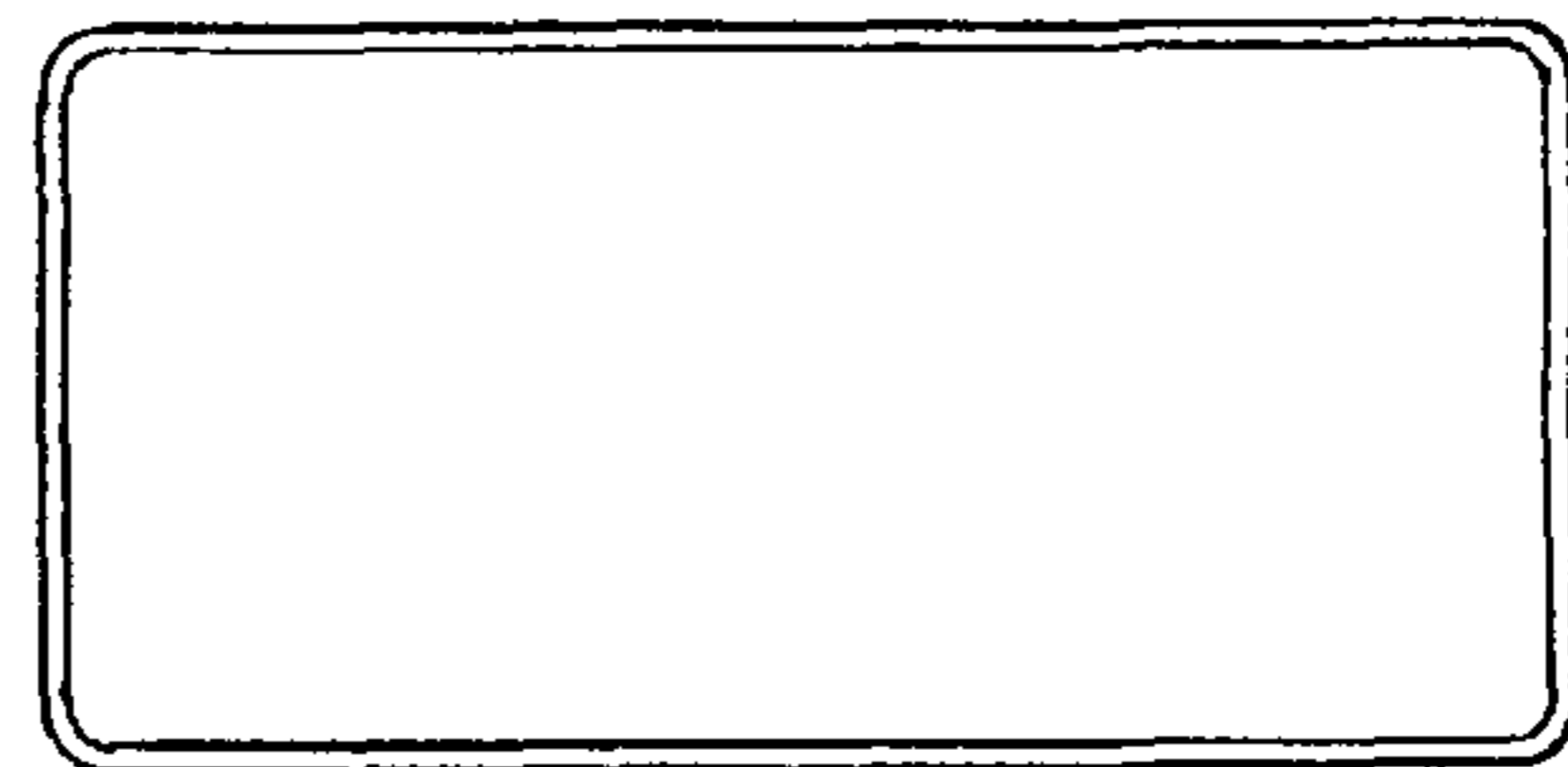


FIG. 13

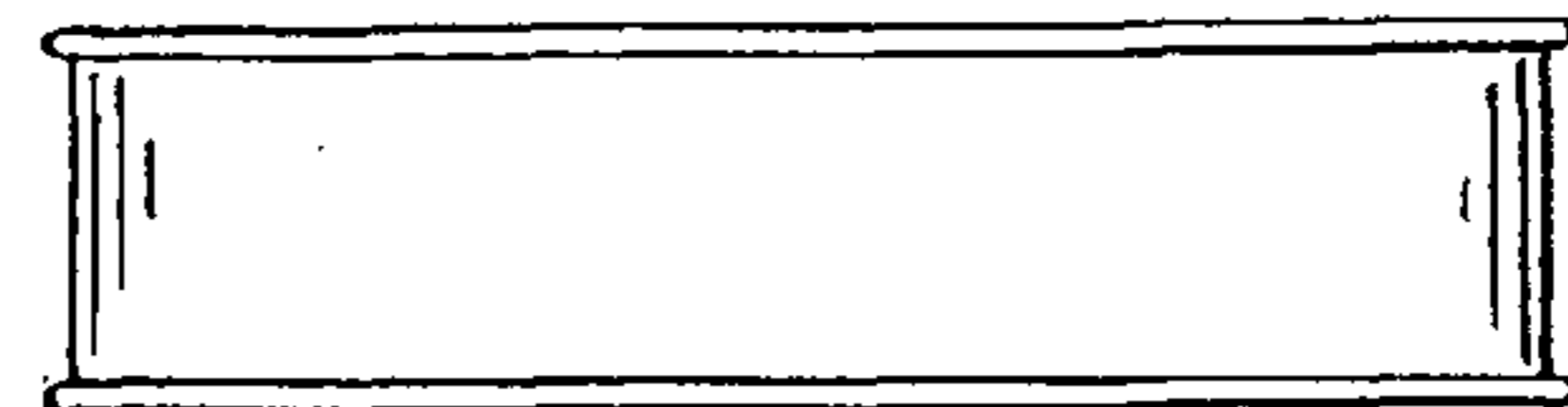


FIG. 14

