



US00D746077S

(12) **United States Design Patent**  
**Vrooman**

(10) **Patent No.:** **US D746,077 S**

(45) **Date of Patent:** **\*\* Dec. 29, 2015**

(54) **HOUSING FOR TILT MECHANISM**

(71) Applicant: **Brooks Vrooman**, Mount Horeb, WI (US)

(72) Inventor: **Brooks Vrooman**, Mount Horeb, WI (US)

(73) Assignee: **Lumino, Inc.**, Madison, WI (US)

(\*\*) Term: **14 Years**

(21) Appl. No.: **29/445,465**

(22) Filed: **Feb. 12, 2013**

(51) **LOC (10) Cl.** ..... **06-10**

(52) **U.S. Cl.**  
USPC ..... **D6/580**

(58) **Field of Classification Search**  
USPC ..... D6/575, 576, 577, 578, 579, 580, 581;  
D8/349, 352, 353, 368, 369, 376;  
160/84.01, 84.02, 84.03, 84.04, 84.05,  
160/84.06, 84.07, 84.08, 107, 108, 111,  
160/113, 130, 133  
CPC ..... E06B 3/30; E06B 9/00; E06B 9/02;  
E06B 9/24; E06B 9/262; A47H 1/00; A47H  
1/02; A47H 21/00; A47H 23/00; A47H 23/02;  
A47H 23/04; A47H 2001/0205; A47H  
2023/025

See application file for complete search history.

(56) **References Cited**

**U.S. PATENT DOCUMENTS**

4,333,510 A \* 6/1982 Fox ..... 160/177 R  
4,653,377 A \* 3/1987 Chen ..... 84/94.2  
D357,381 S \* 4/1995 Anderson ..... D6/580  
D366,585 S \* 1/1996 Mueller ..... D6/580

5,638,882 A \* 6/1997 Morris ..... 160/176.1 R  
5,699,845 A 12/1997 Jelic  
D429,588 S \* 8/2000 Smederod ..... D6/580  
6,148,894 A 11/2000 Judkins  
6,253,823 B1 7/2001 Swopes et al.  
7,984,745 B2 \* 7/2011 Wen et al. .... 160/170  
D690,133 S \* 9/2013 Wu ..... D6/580  
8,887,786 B2 \* 11/2014 Anderson et al. .... 160/84.03  
2006/0118248 A1 \* 6/2006 Anderson et al. .... 160/84.04  
2007/0017644 A1 \* 1/2007 Berger ..... 160/107  
2008/0099157 A1 \* 5/2008 Nien et al. .... 160/84.05  
2010/0065226 A1 \* 3/2010 Fraser et al. .... 160/168.1 R

\* cited by examiner

*Primary Examiner* — Karen S Acker

*Assistant Examiner* — Wendy Arminio

(74) *Attorney, Agent, or Firm* — Buchanan Ingersoll & Rooney PC

(57) **CLAIM**

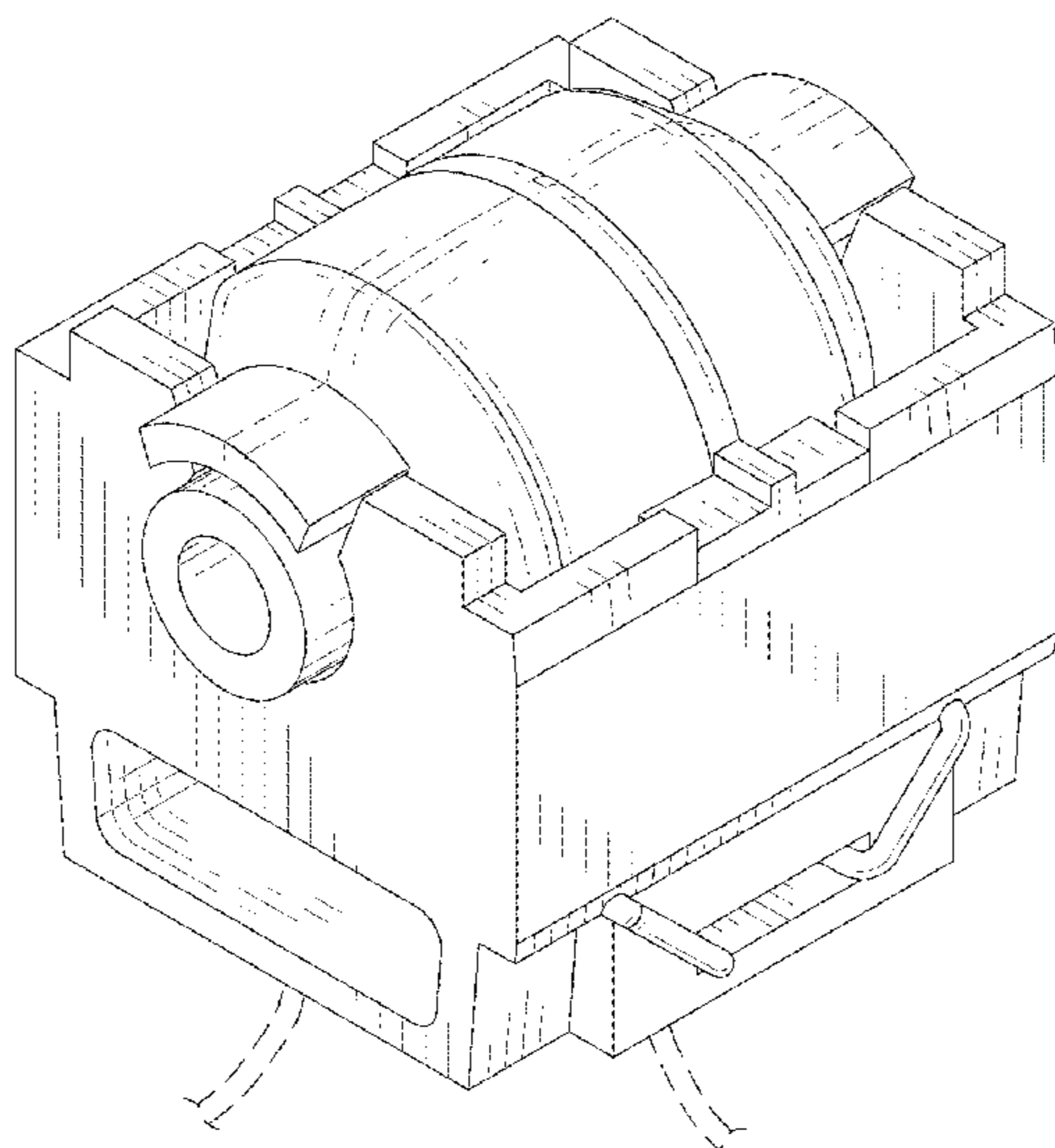
The ornamental design for a housing for tilt mechanism, as shown and described.

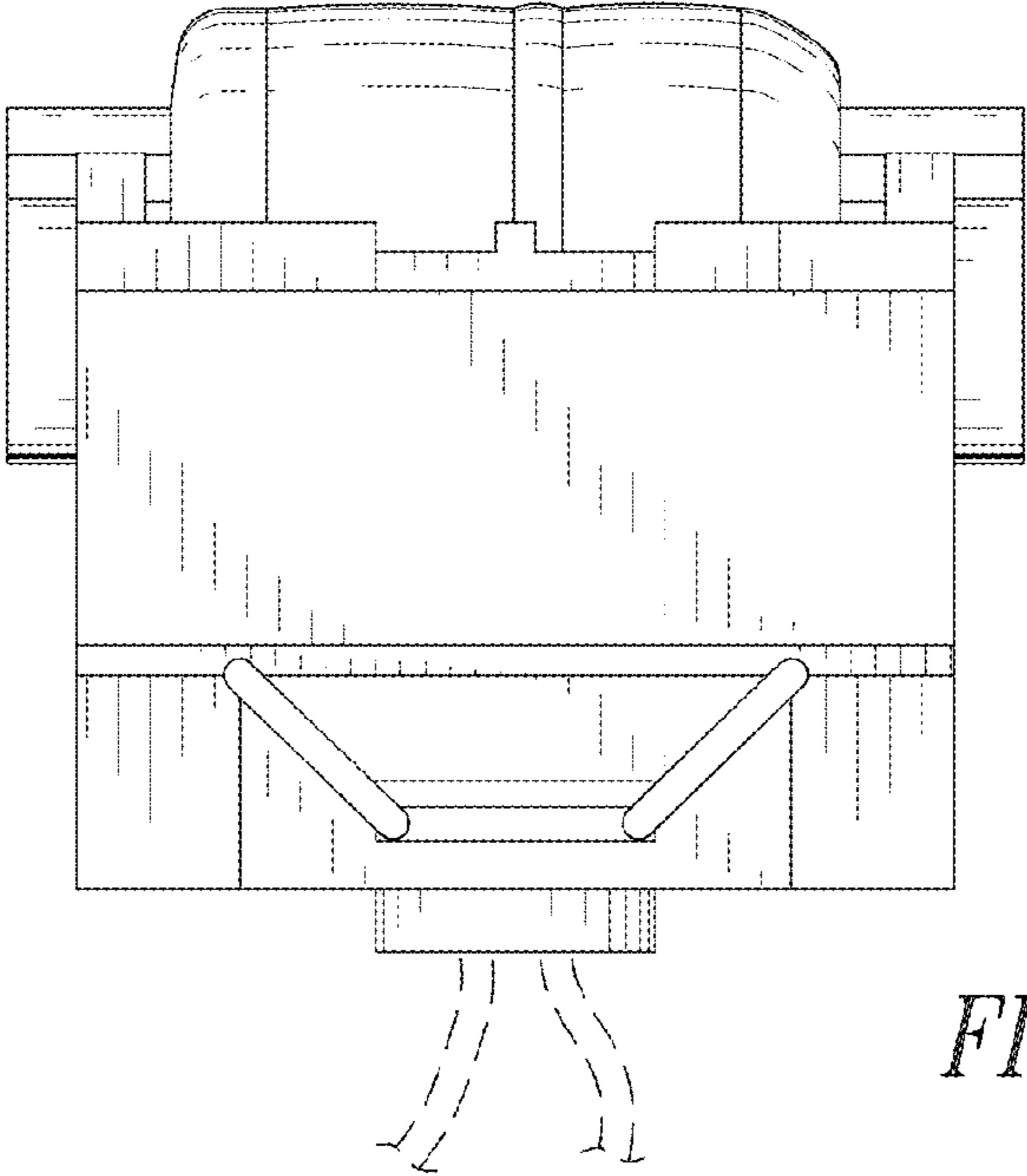
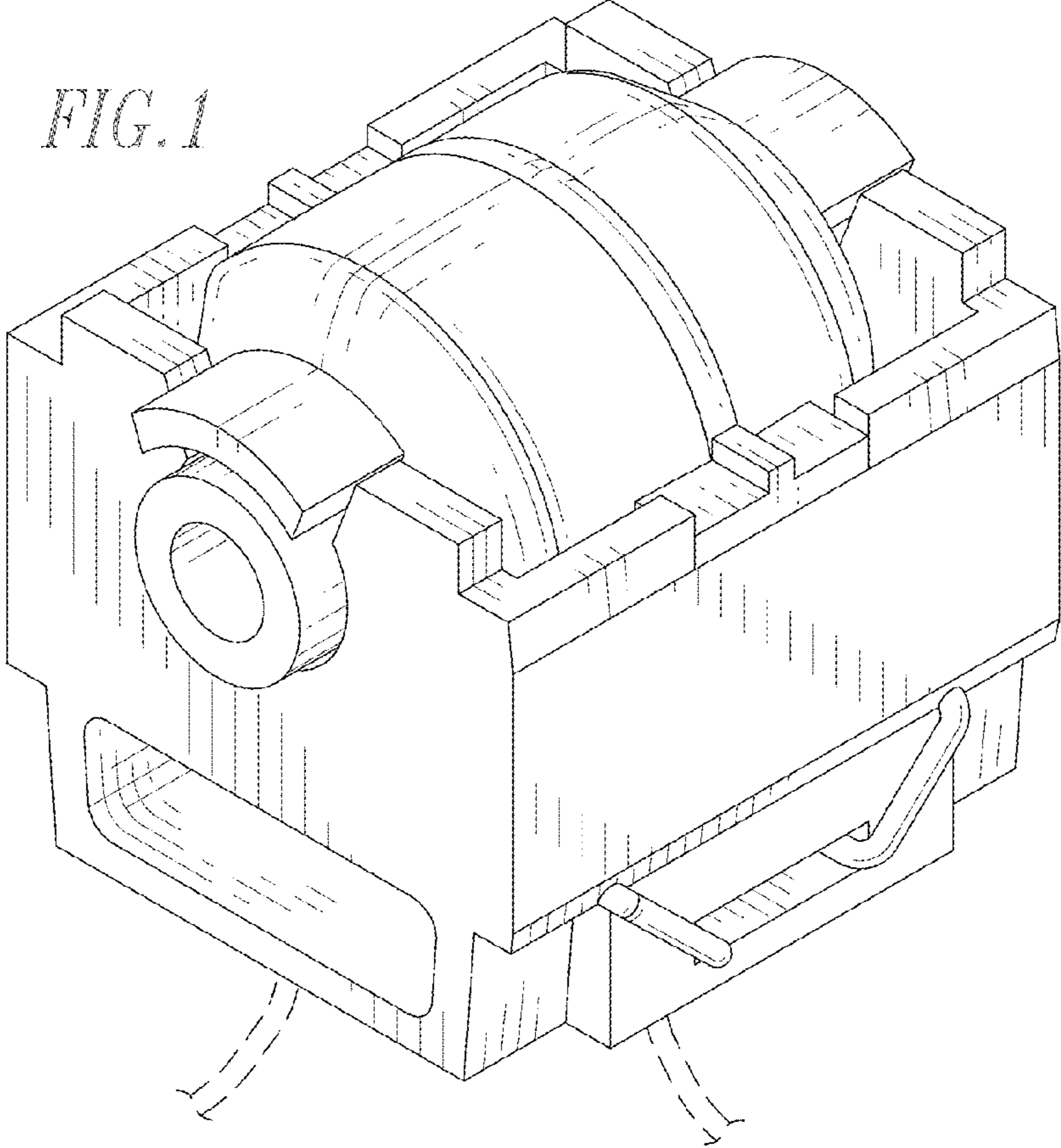
**DESCRIPTION**

FIG. 1 is a perspective view of my housing for tilt mechanism; FIG. 2 is a front view thereof; FIG. 3 is a rear view thereof; FIG. 4 is a left side view thereof, the right side view being a mirror image of this view; FIG. 5 is a top view thereof; and, FIG. 6 is a bottom view thereof.

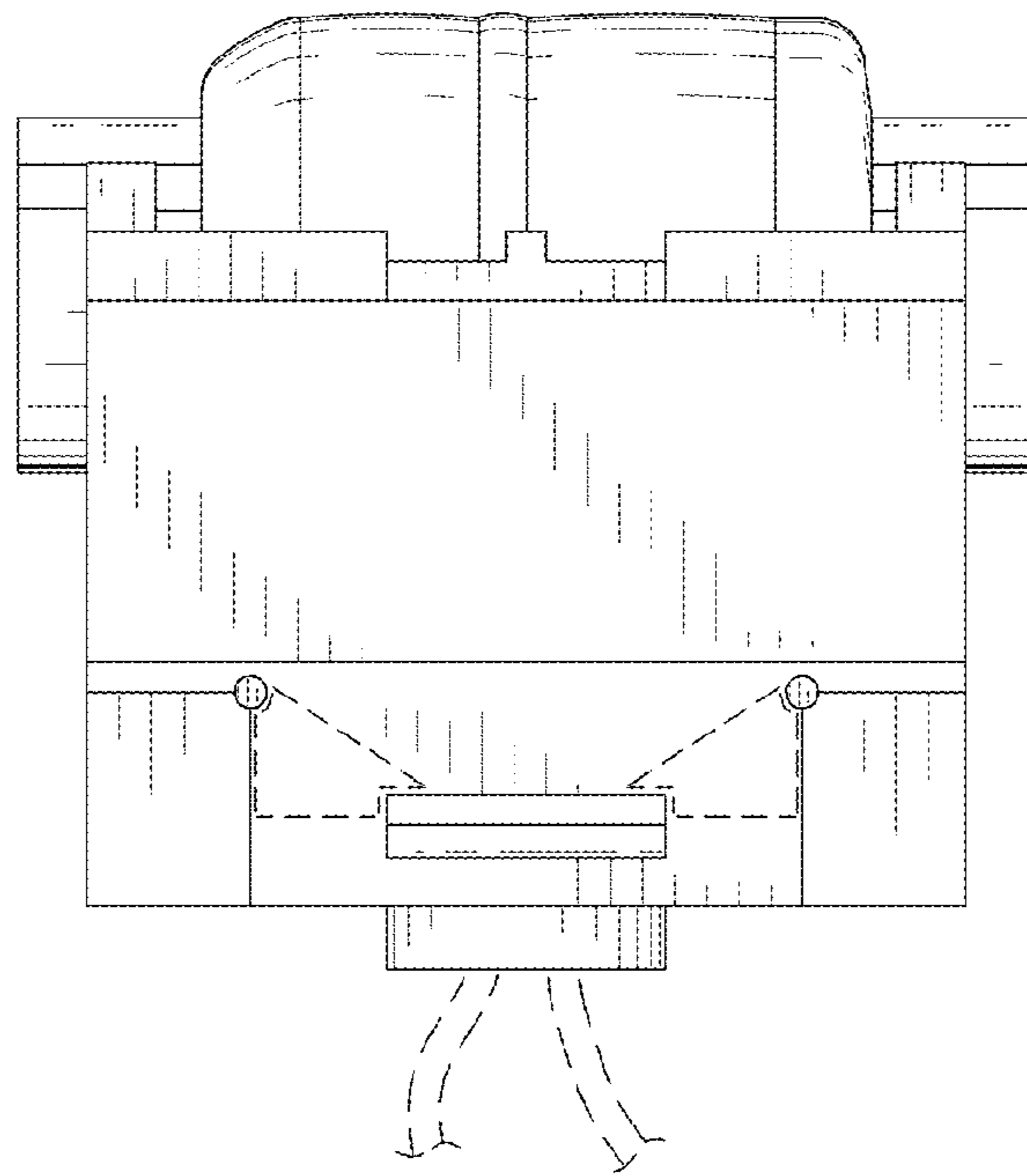
The portion of the ladder cord rails shown in broken lines in FIGS. 1-4 and 6 are environment included to show the housing for tilt mechanism in a position of use and form no part of the claimed design. The broken lines and the area within broken lines in FIG. 3 depict environment and form no part of the claimed design.

**1 Claim, 3 Drawing Sheets**

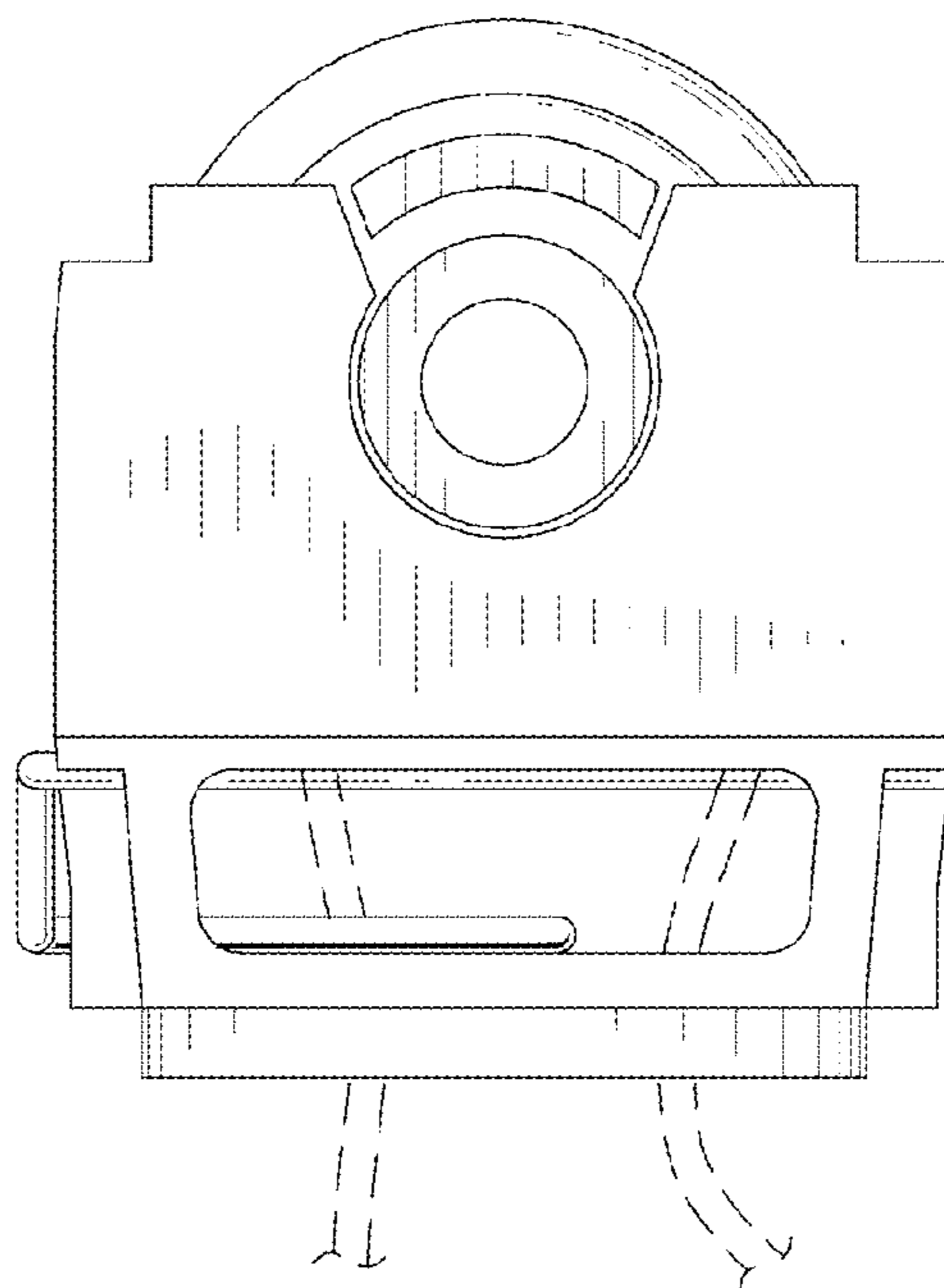




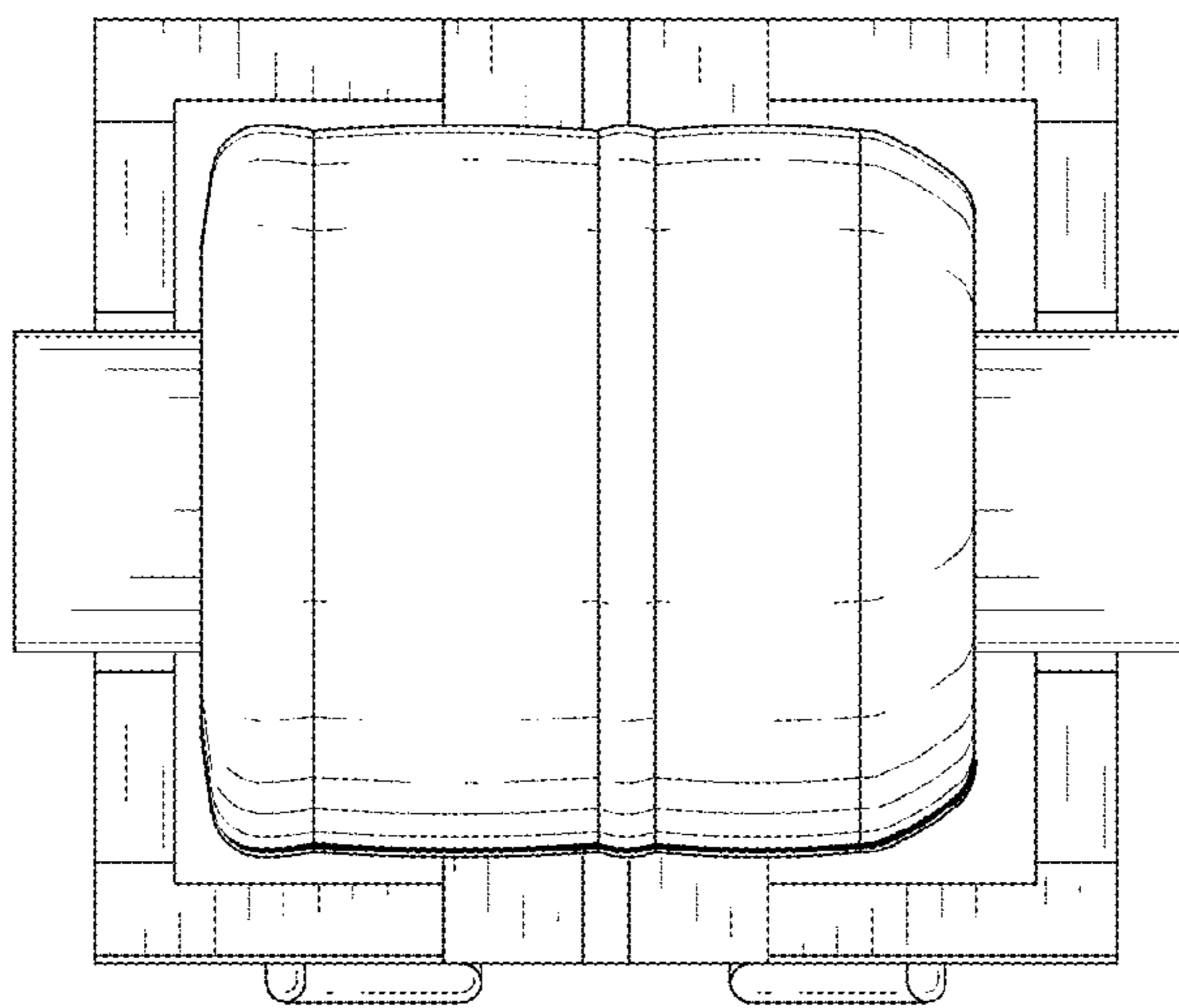
*FIG. 2*



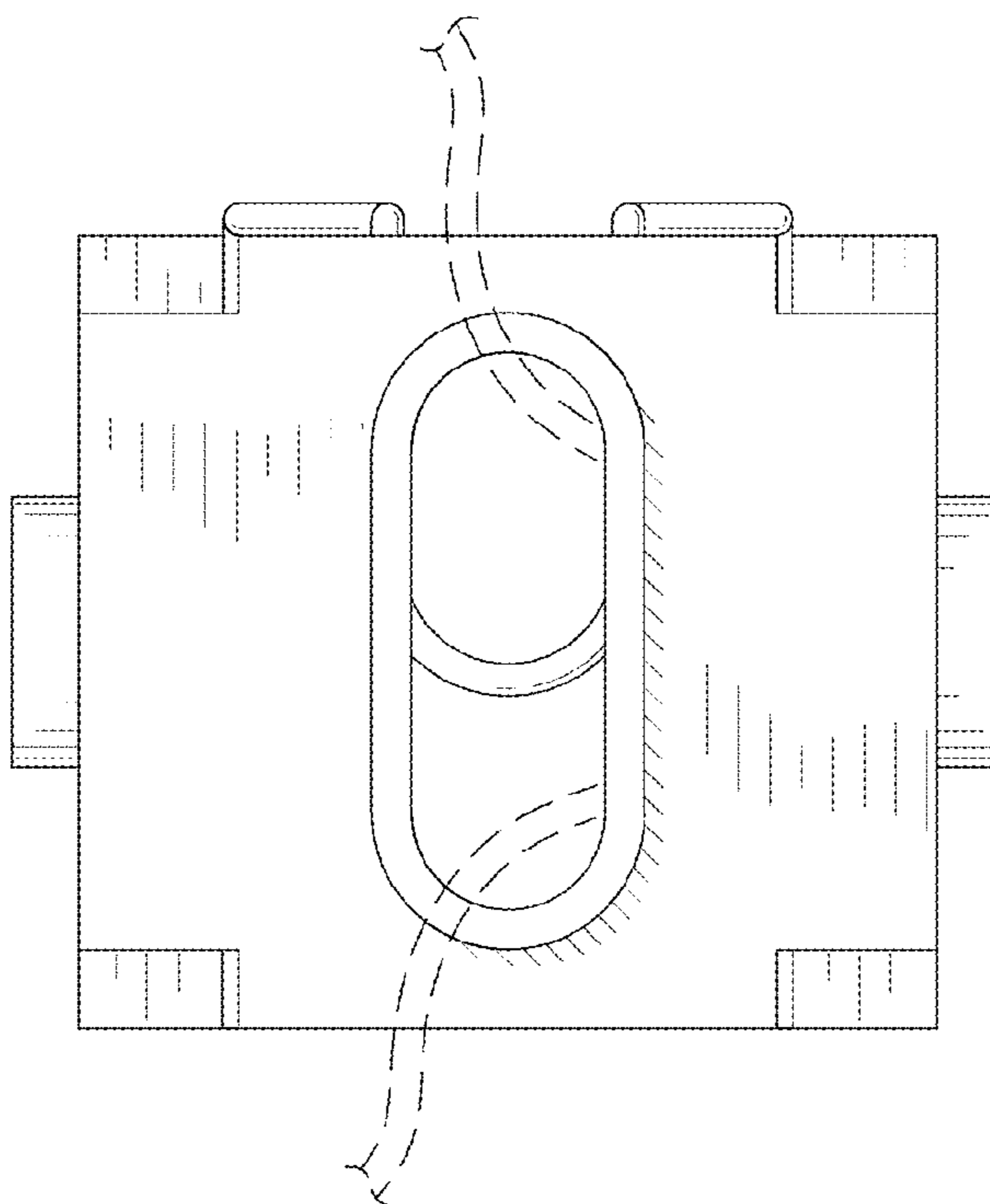
*FIG. 3*



*FIG. 4*



*FIG. 5*



*FIG. 6*