



US00D746076S

(12) **United States Design Patent**
Figueras Mitjans

(10) **Patent No.:** **US D746,076 S**
(45) **Date of Patent:** **** Dec. 29, 2015**

(54) **SEATING UNIT**

(71) Applicant: **Figueras International Seating, S.L.**,
Llica d'Amunt—Barcelona (ES)

(72) Inventor: **Jose Figueras Mitjans**, Llica
d'Amunt—Barcelona (ES)

(73) Assignee: **FIGUERAS INTERNATIONAL SEATING, S.L.**, Barcelona (ES)

(**) Term: **14 Years**

(21) Appl. No.: **29/506,954**

(22) Filed: **Oct. 22, 2014**

(30) **Foreign Application Priority Data**

Jun. 2, 2014 (EM) 002474973-0001

(51) **LOC (10) Cl.** **06-01**

(52) **U.S. Cl.**
USPC **D6/364**

(58) **Field of Classification Search**
USPC D6/334–336, 364, 365, 368, 374, 380,
D6/716, 716.1, 716.4
CPC A47C 5/12; A47C 7/04; A47C 1/12;
A47C 1/121; A47C 1/126; A47C 1/16

See application file for complete search history.

(56) **References Cited**

U.S. PATENT DOCUMENTS

4,775,187	A *	10/1988	Herr	A47C 5/12	297/378.14
6,089,669	A *	7/2000	Wilcox	A47C 1/12	297/378.1
6,719,370	B2 *	4/2004	Hannon	A47C 1/121	297/331
6,789,853	B2 *	9/2004	Fewchuk	A47C 1/121	297/463.1
D605,864	S *	12/2009	Stewart	D6/364	
D637,839	S *	5/2011	Piretti	D6/364	
D638,634	S *	5/2011	Figueras Mitjans	D6/364	
7,950,739	B2 *	5/2011	King	A47C 1/121	297/333
D653,466	S *	2/2012	Figueras Mitjans	D6/364	
D673,383	S *	1/2013	Giugiaro	D6/364	
8,820,836	B2 *	9/2014	Stewart	A47C 1/12	297/335

* cited by examiner

Primary Examiner — Mimosa De

(74) *Attorney, Agent, or Firm* — Lucas & Mercanti, LLP

(57) **CLAIM**

The ornamental design for a seating unit, as shown and described.

DESCRIPTION

FIG. 1 is a side view of a seating unit;
FIG. 2 is a front view of the seating unit;
FIG. 3 is a top view of the seating unit;
FIG. 4 is a front perspective view of the seating unit;
FIG. 5 is a rear perspective view of the seating unit; and,
FIG. 6 is a front perspective view of the seating unit in a folded position.

1 Claim, 6 Drawing Sheets

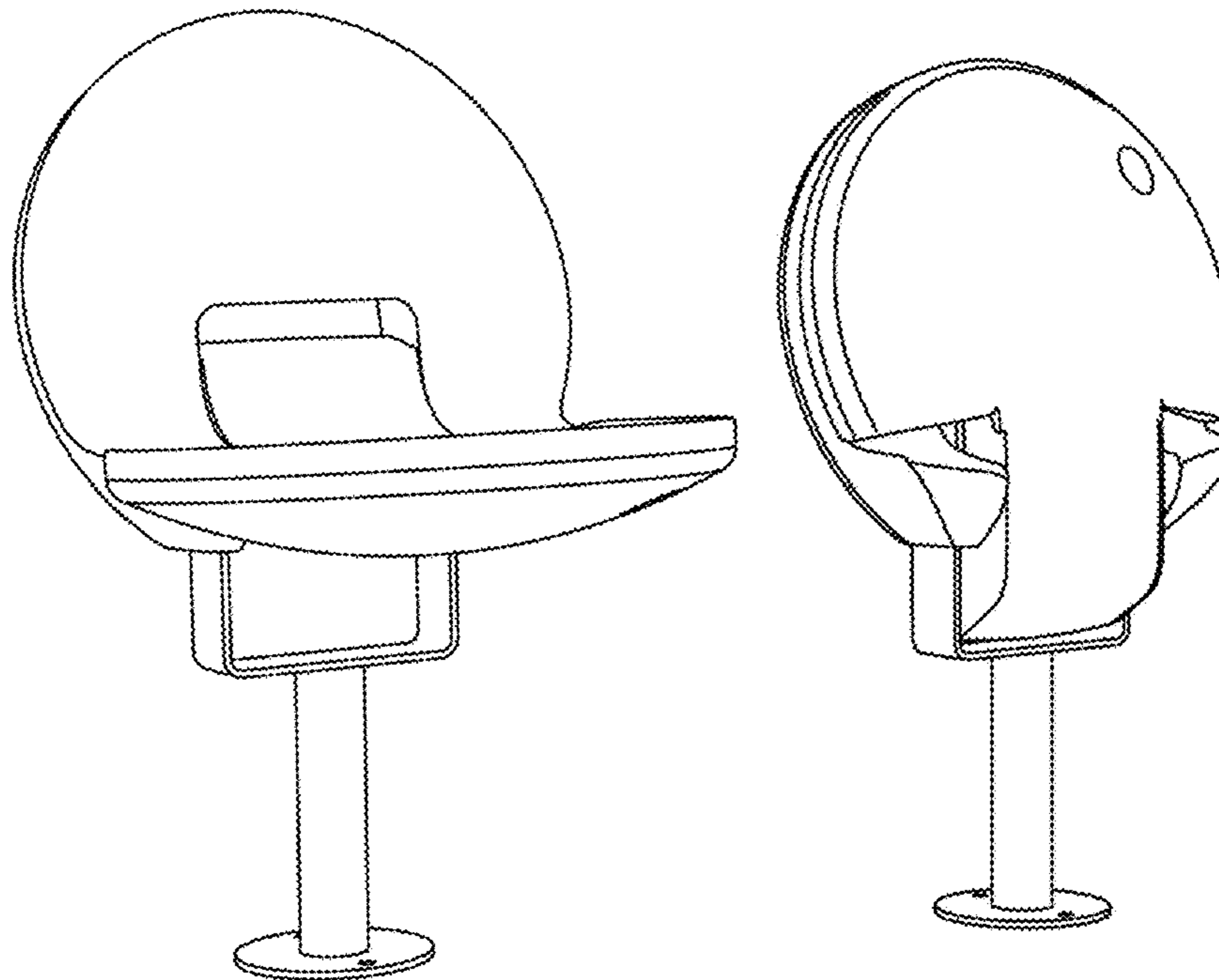


FIG. 1

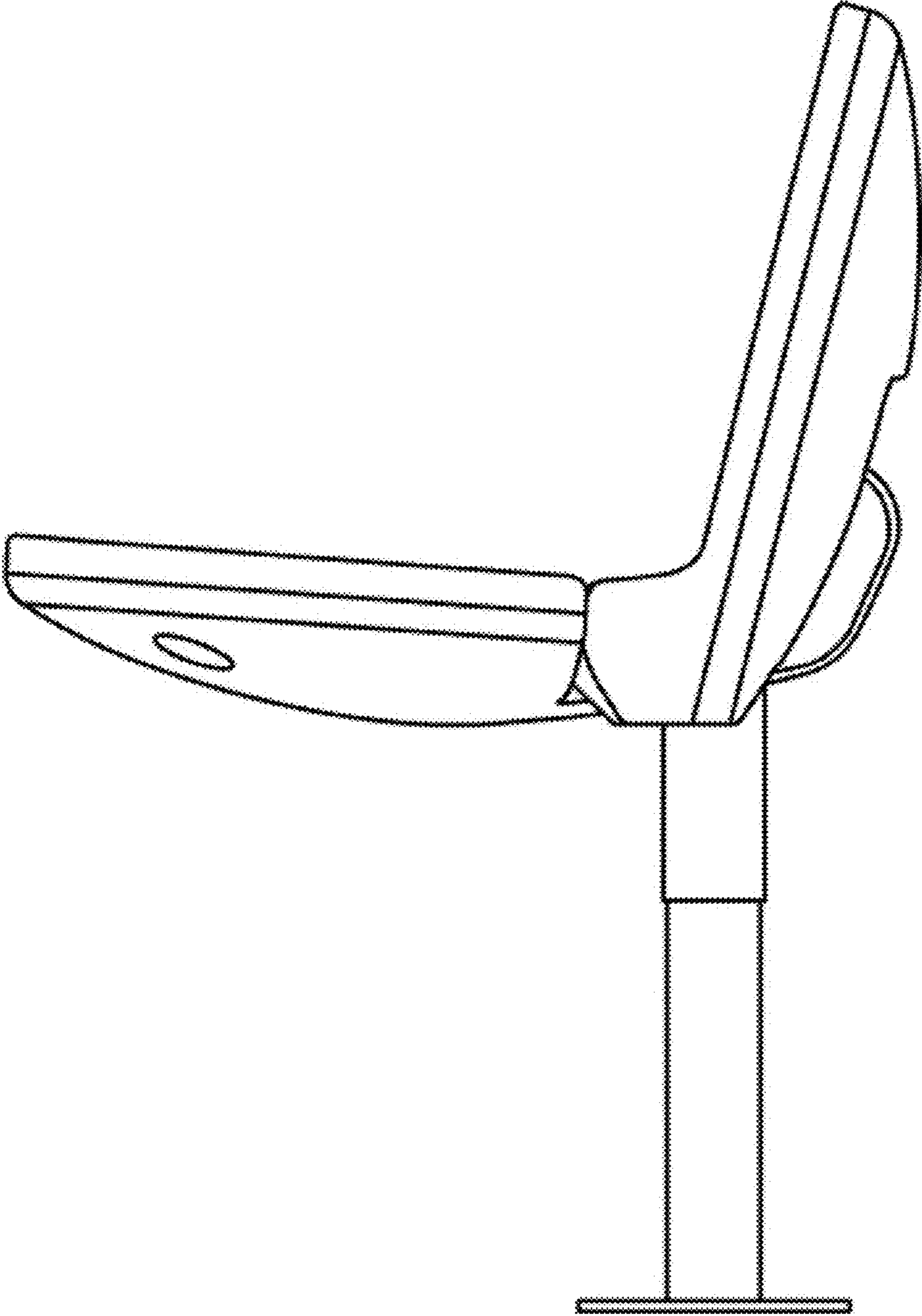


FIG. 2

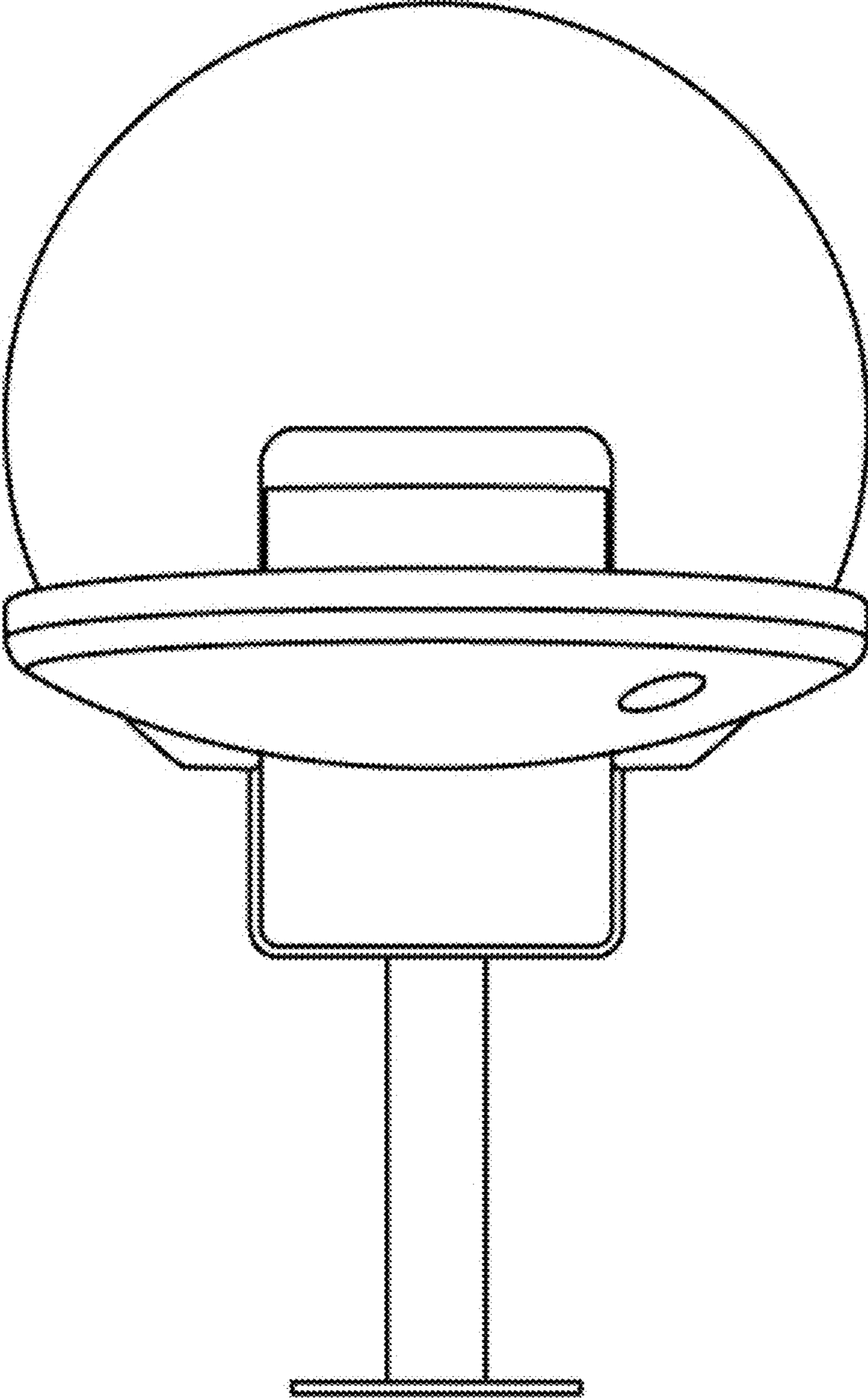


FIG. 3

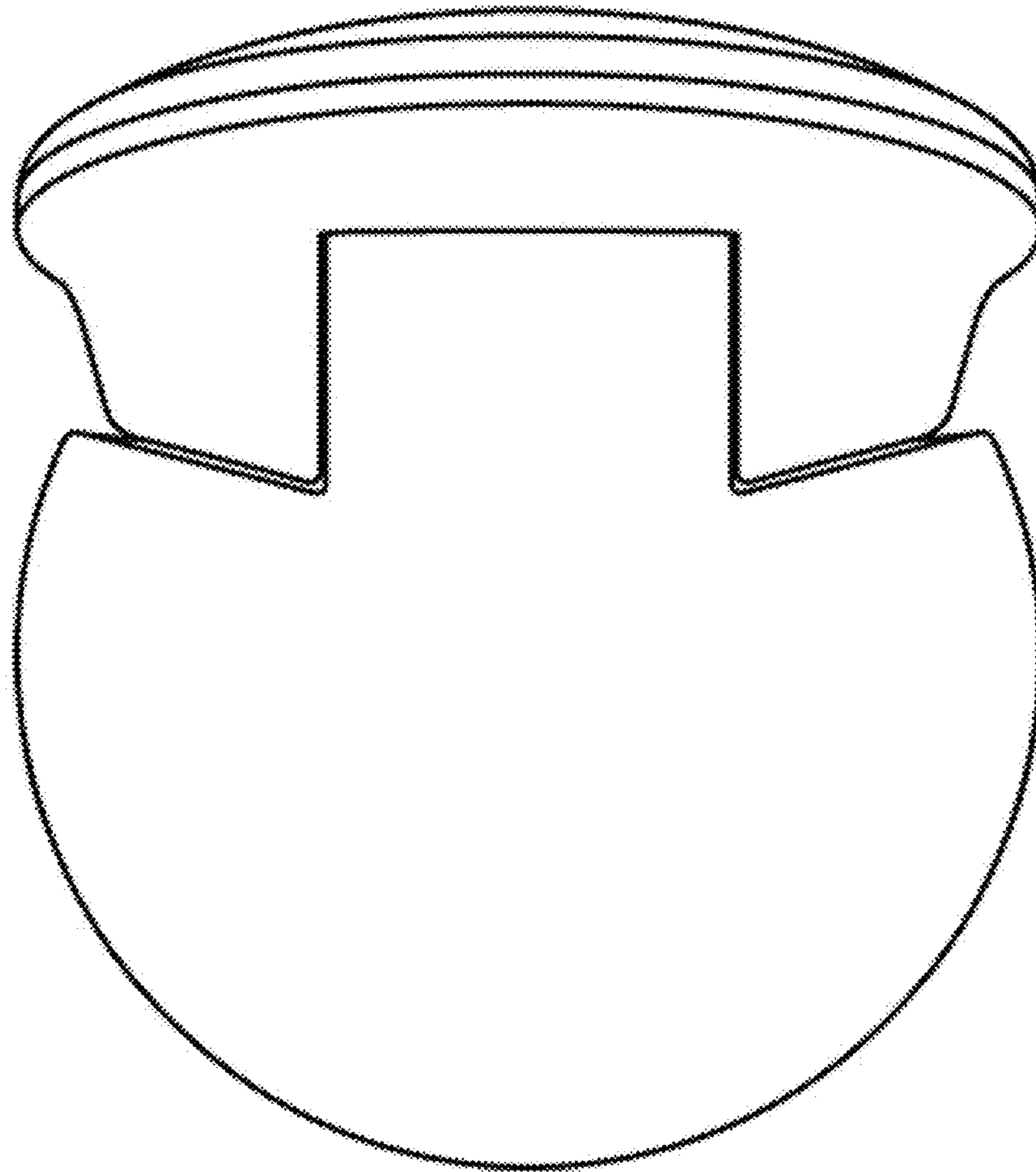


FIG. 4

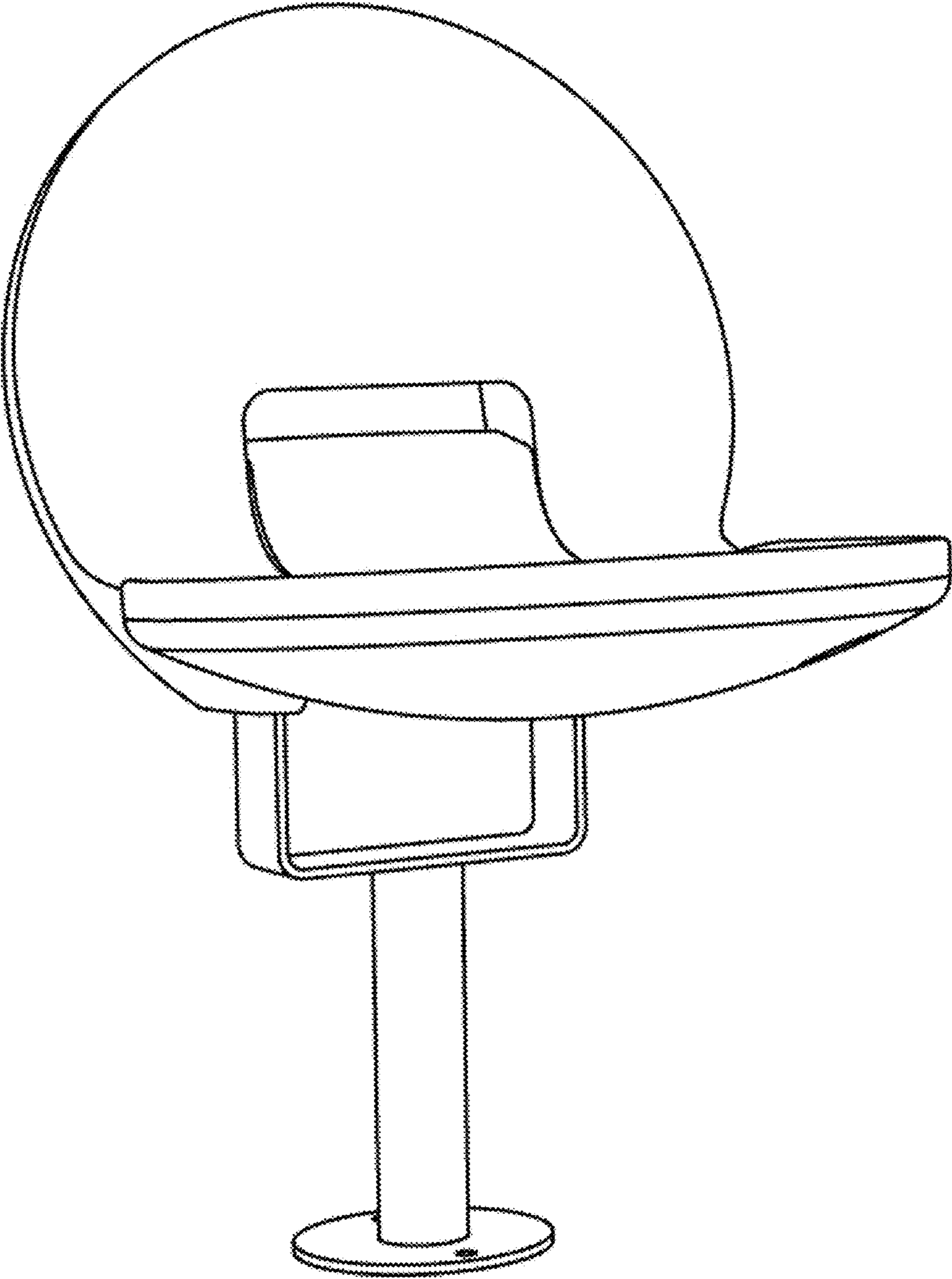


FIG. 5

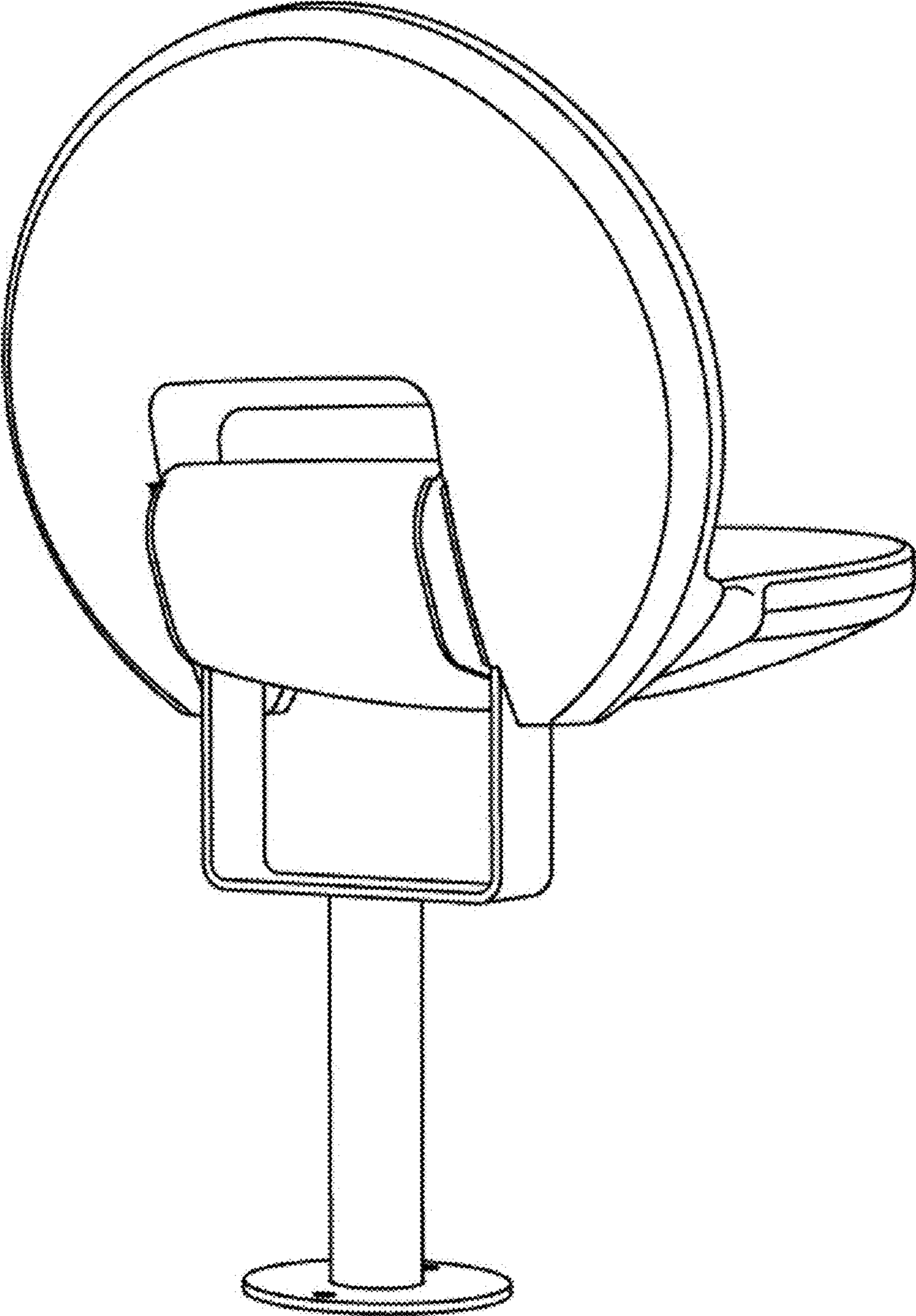


FIG. 6

