



US00D746073S

(12) **United States Design Patent**
Elmaleh

(10) **Patent No.:** **US D746,073 S**
(45) **Date of Patent:** **** Dec. 29, 2015**

(54) **STOOL**
(71) Applicant: **Kore Design LLC**, Brooklyn, NY (US)
(72) Inventor: **Jon Elmaleh**, Brooklyn, NY (US)
(73) Assignee: **Kore Design LLC**, Brooklyn, NY (US)
(**) Term: **14 Years**

D225,283 S * 11/1972 Axelrod D6/677
D283,856 S * 5/1986 Elmaleh
D292,147 S * 10/1987 Lomedico D6/349
D313,896 S * 1/1991 Kaye D6/360
5,044,587 A * 9/1991 Degen A47C 3/025
108/150
D381,821 S * 8/1997 Miles D6/349
D454,438 S * 3/2002 Volkman D6/349
D454,706 S * 3/2002 Volkman D6/349
D565,313 S * 4/2008 Johnsen D6/349

(Continued)

(21) Appl. No.: **29/496,820**
(22) Filed: **Jul. 17, 2014**
(51) **LOC (10) Cl.** **06-01**
(52) **U.S. Cl.**

Primary Examiner — Susan Bennett Hattan
Assistant Examiner — Vy Koenig
(74) *Attorney, Agent, or Firm* — Notaro, Michalos & Zaccaria P.C.

USPC **D6/349**; D6/352; D6/353
(58) **Field of Classification Search**
USPC D6/333, 335, 340, 344, 347, 349–355,
D6/358, 360, 363–365, 381, 406.6, 596,
D6/601, 648, 662.1, 675, 677, 685–687,
D6/688.15, 688.27, 690, 691, 691.8,
D6/692.1–692.3, 695.1, 708.16, 708.2,
D6/709, 709.2, 709.22, 711, 716–716.7,
D6/717

(57) **CLAIM**
The ornamental design for a stool, as shown and described.

CPC A47C 1/14; A47C 3/00; A47C 3/04;
A47C 3/14; A47C 3/16; A47C 3/18; A47C
3/20; A47C 3/36; A47C 4/00; A47C 4/28;
A47C 4/30; A47C 4/38; A47C 4/42; A47C
4/48; A47C 5/02; A47C 5/04; A47C 5/043;
A47C 7/00–7/006; A47C 7/02; A47C 9/00;
A47C 9/02; A47C 9/002; A47C 9/007;
A47C 9/025; A47C 9/10; A47C 11/00;
A47C 12/00; A47C 13/00; A47C 16/02;
A47B 7/00–7/02; A47B 45/00; A47B
47/04–47/045; A47B 3/00; A47B 3/02;
A47B 3/04; A47B 3/12
See application file for complete search history.

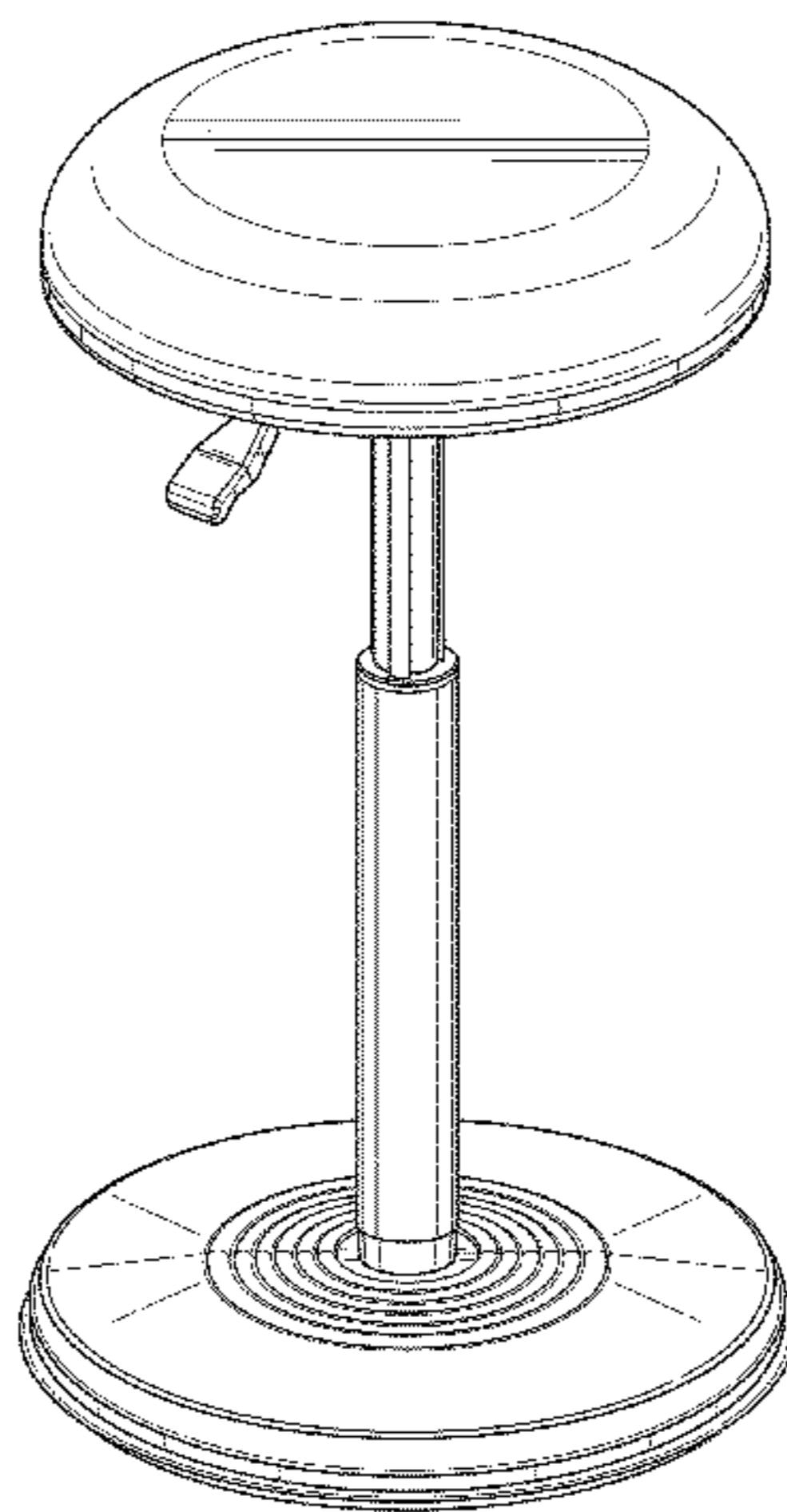
DESCRIPTION

FIG. 1 is a top, side perspective view of a stool showing my design therefor;
FIG. 2 is a bottom respective view thereof;
FIG. 3 is a front elevational view thereof, the rear being the same;
FIG. 4 is a right side elevational view thereof;
FIG. 5 is a left side elevational view thereof;
FIG. 6 is a top plan view thereof; and
FIG. 7 is a bottom plan view thereof;
FIG. 8 is a top side perspective view of a second embodiment of a stool showing my design therefor;
FIG. 9 is a bottom side perspective view thereof;
FIG. 10 is a side elevational view, the opposite side being the same thereof;
FIG. 11 is a front elevational view thereof, the rear being the same;
FIG. 12 is a top plan view thereof; and,
FIG. 13 is a bottom plan view thereof.
The broken lines shown in the drawings depict portions of the stool that form no part of the claimed design.

(56) **References Cited**
U.S. PATENT DOCUMENTS

D86,133 S * 2/1932 Kanter D6/352
3,312,437 A * 4/1967 Barth A47C 9/025
248/158

1 Claim, 13 Drawing Sheets



US D746,073 S

Page 2

(56)

References Cited

U.S. PATENT DOCUMENTS

D671,772 S * 12/2012 Lee D6/692.3
D686,829 S 7/2013 Elmaleh
D720,143 S * 12/2014 Barber D6/349

D668,464 S * 10/2012 Du D6/353 * cited by examiner

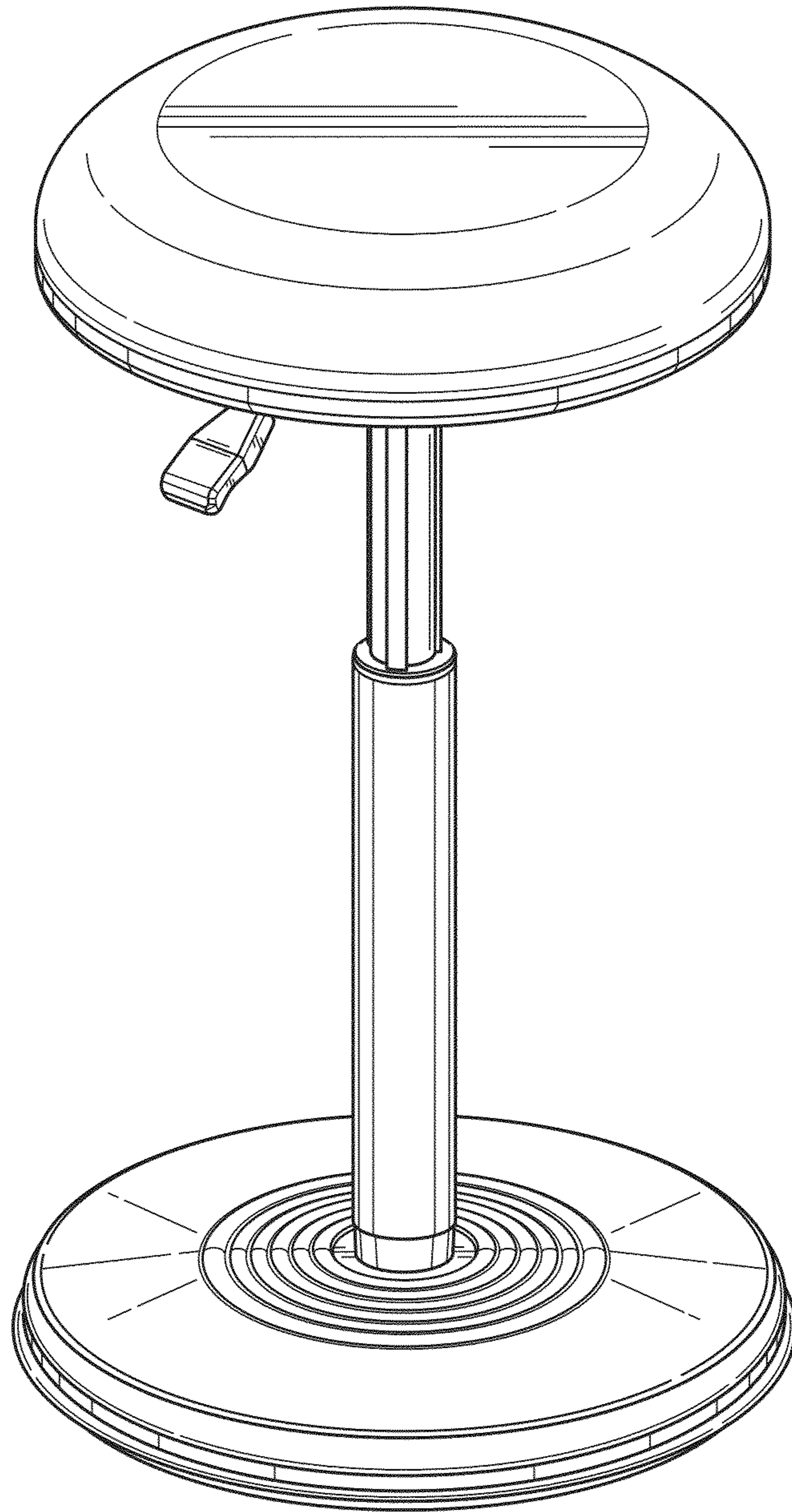


FIG. 1

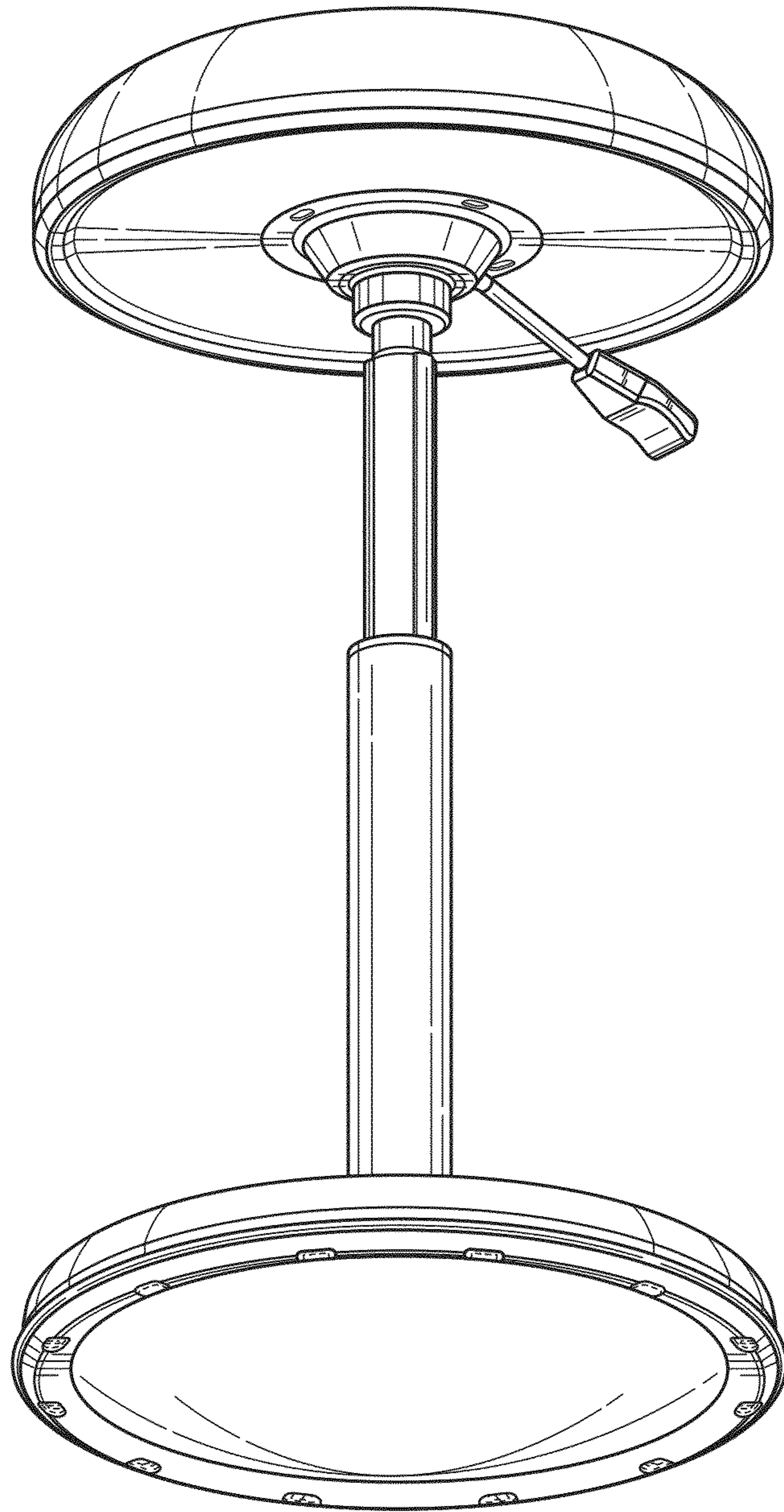


FIG. 2

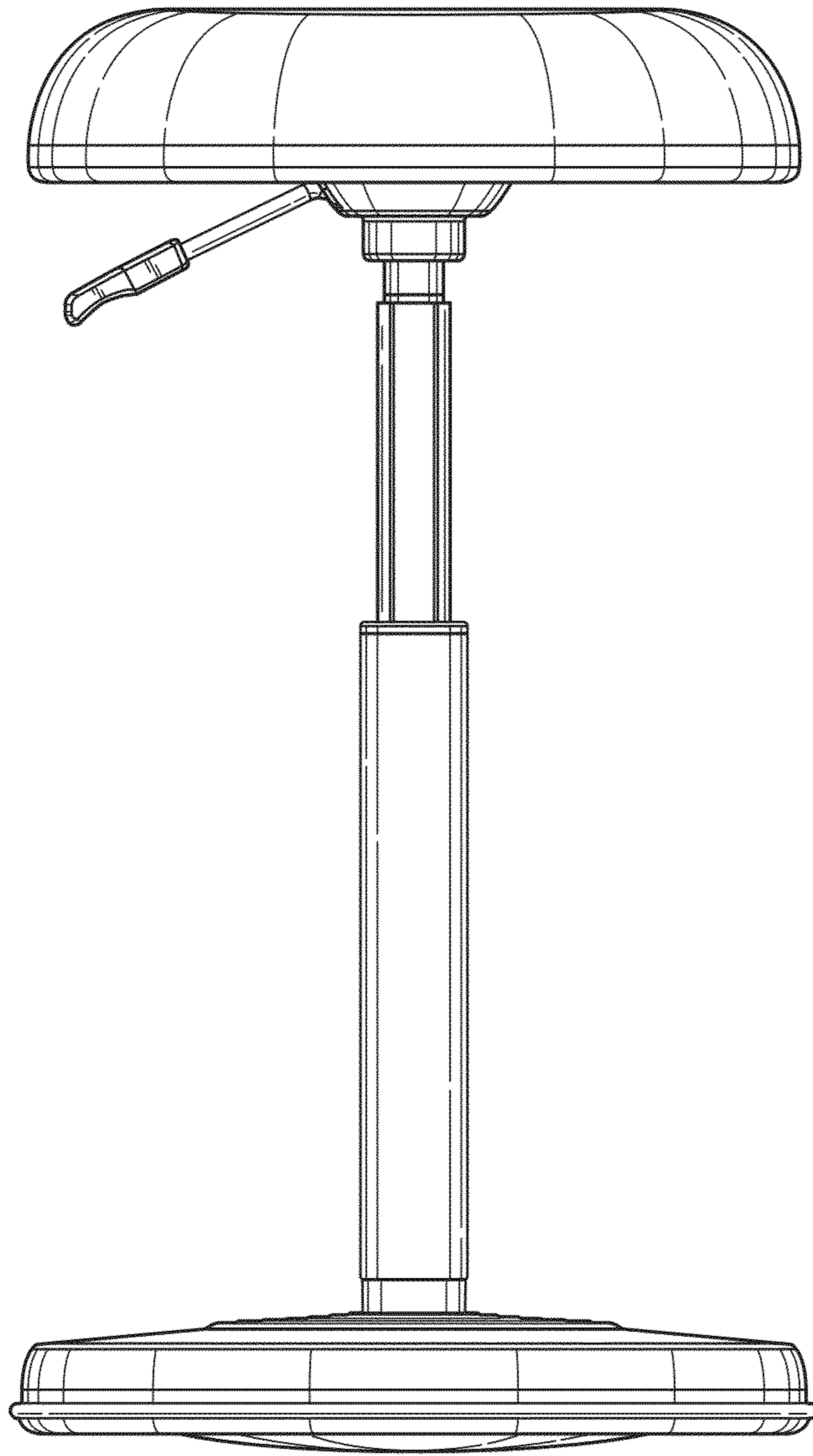


FIG. 3

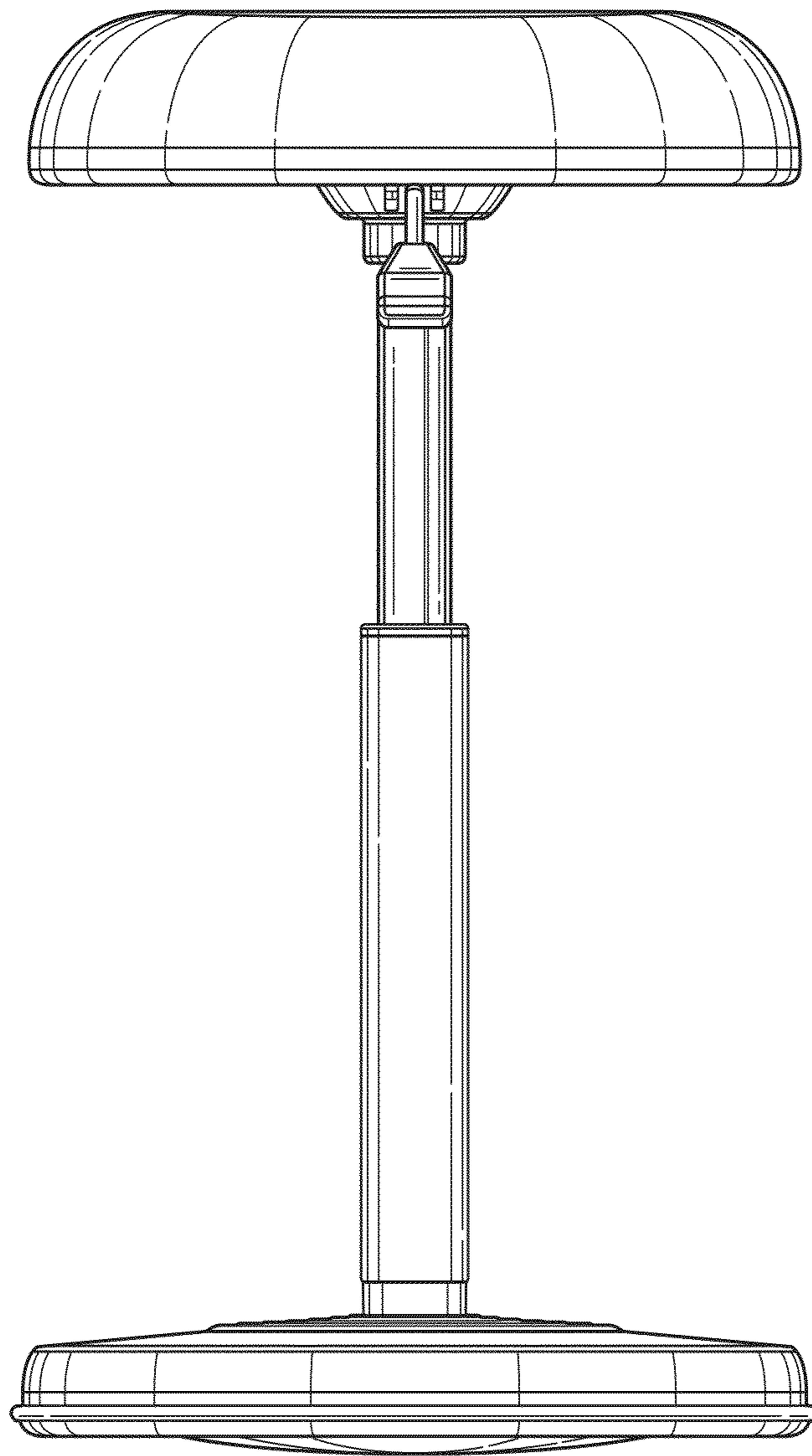


FIG. 4

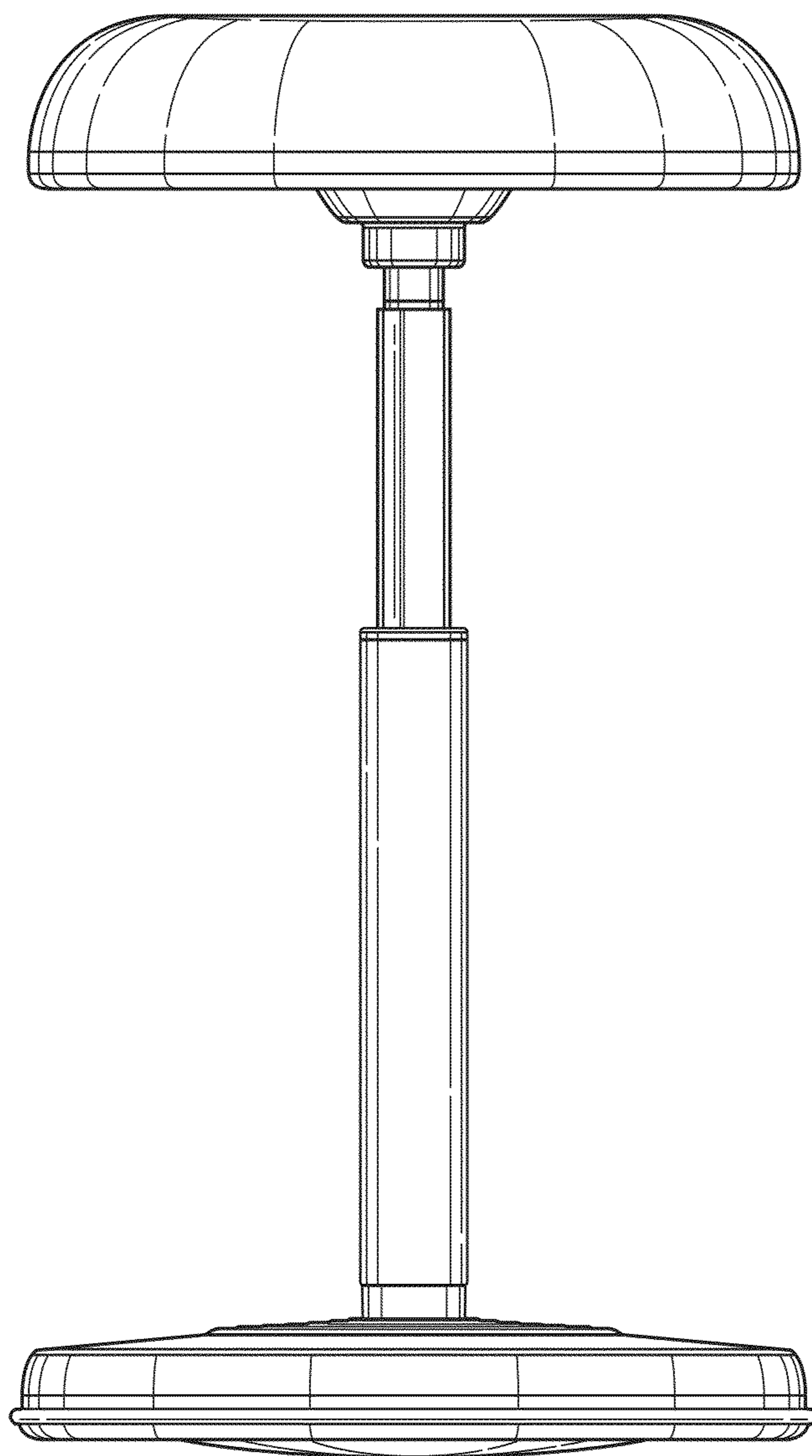


FIG. 5

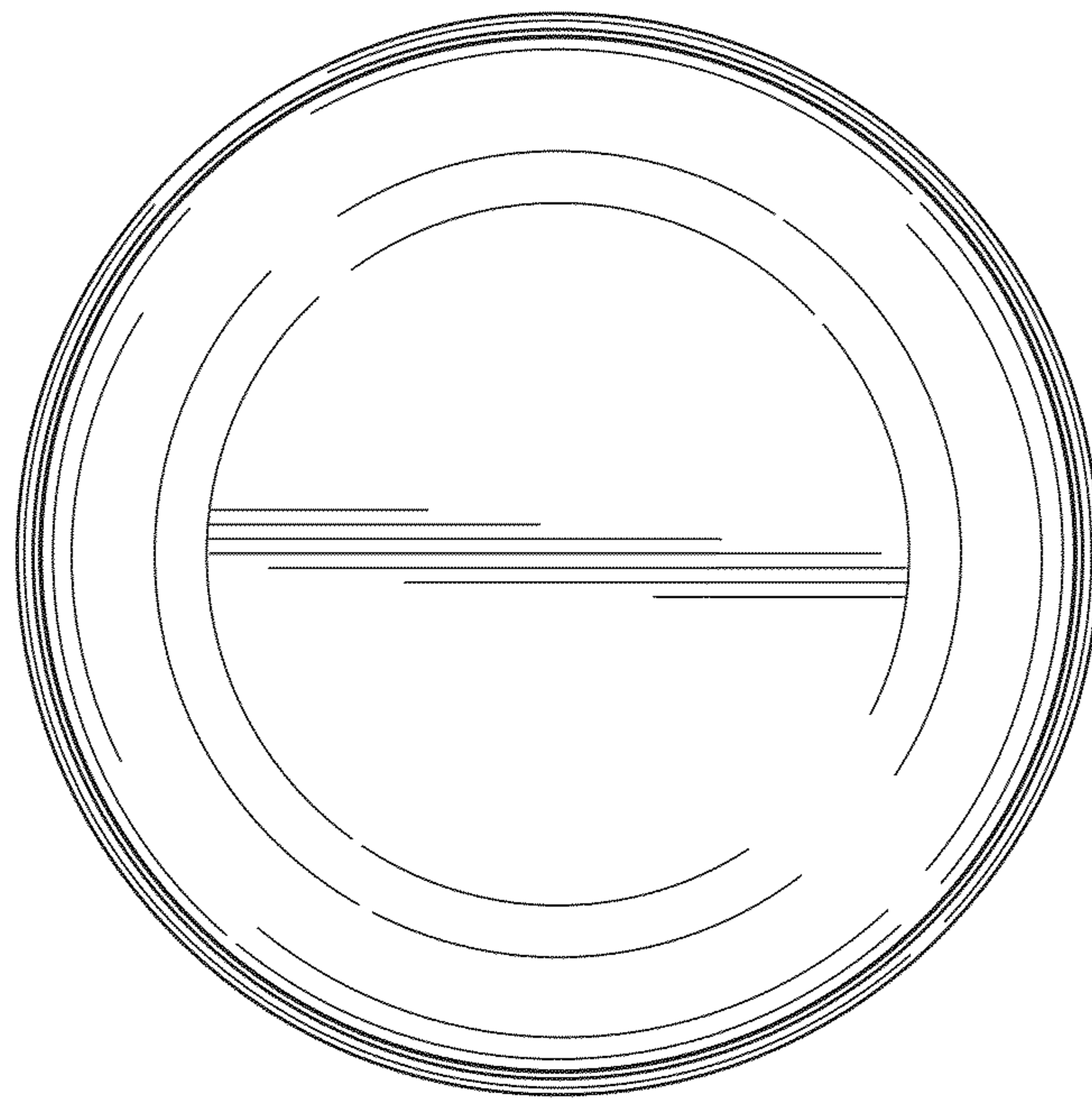


FIG. 6

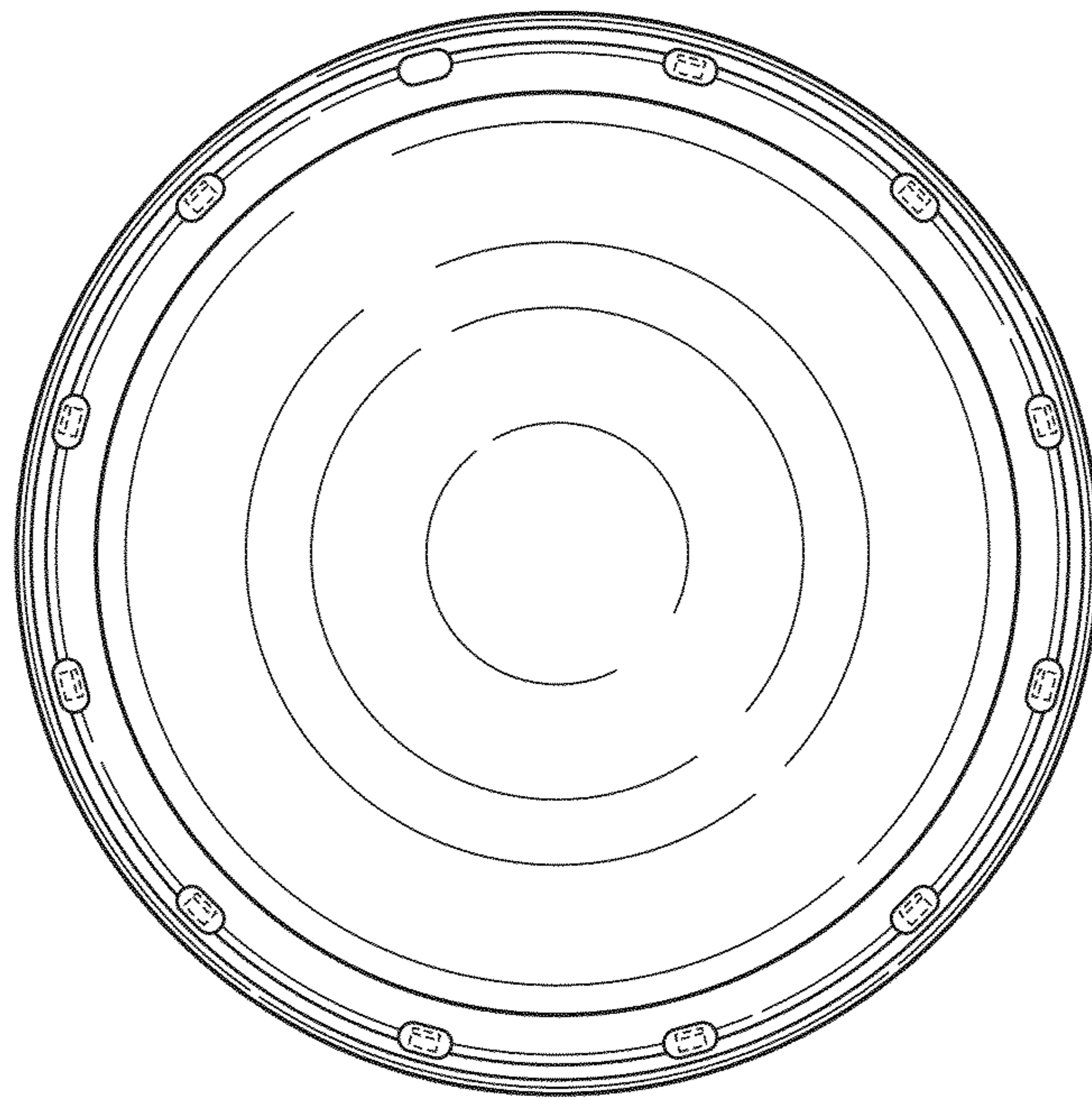


FIG. 7

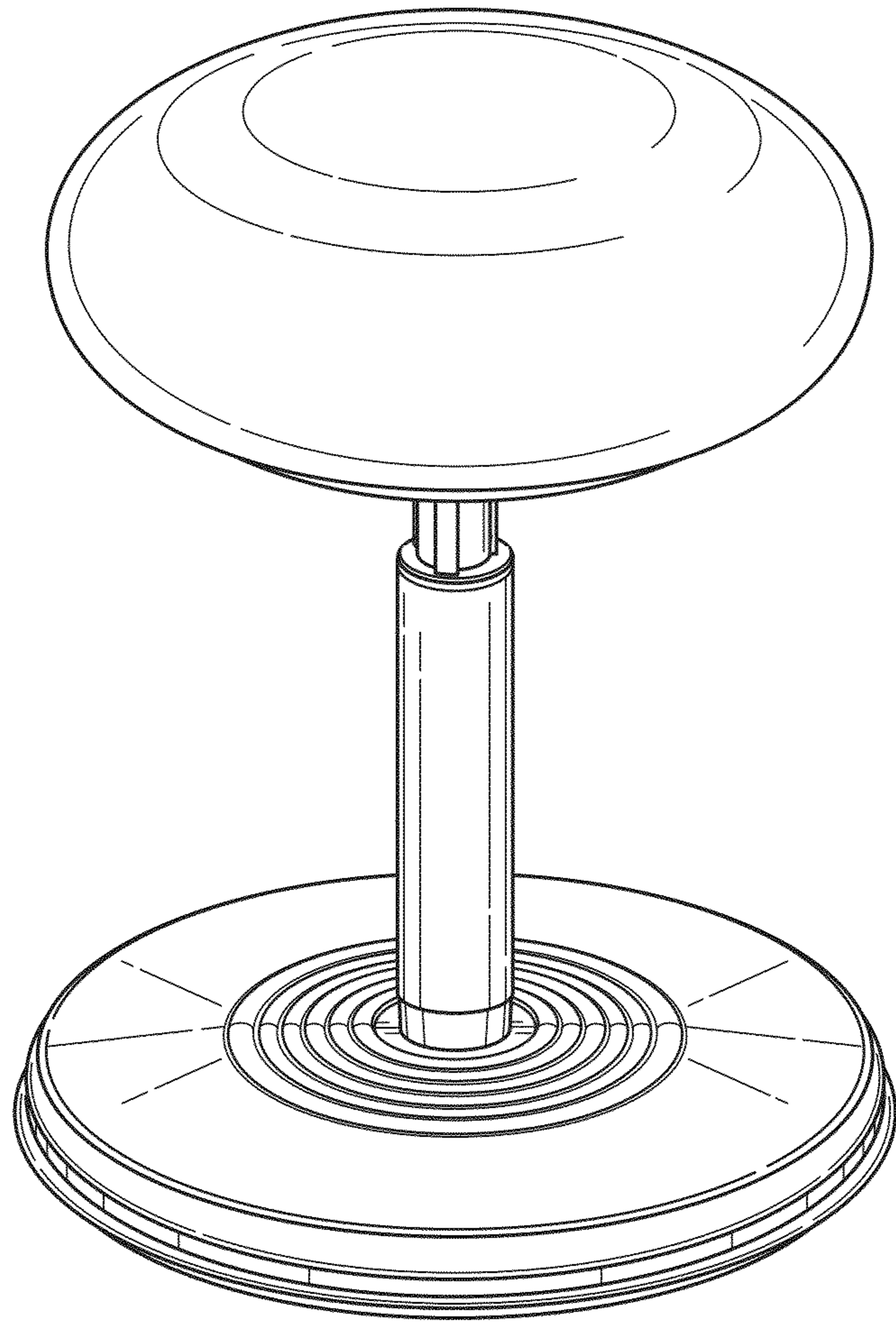


FIG. 8

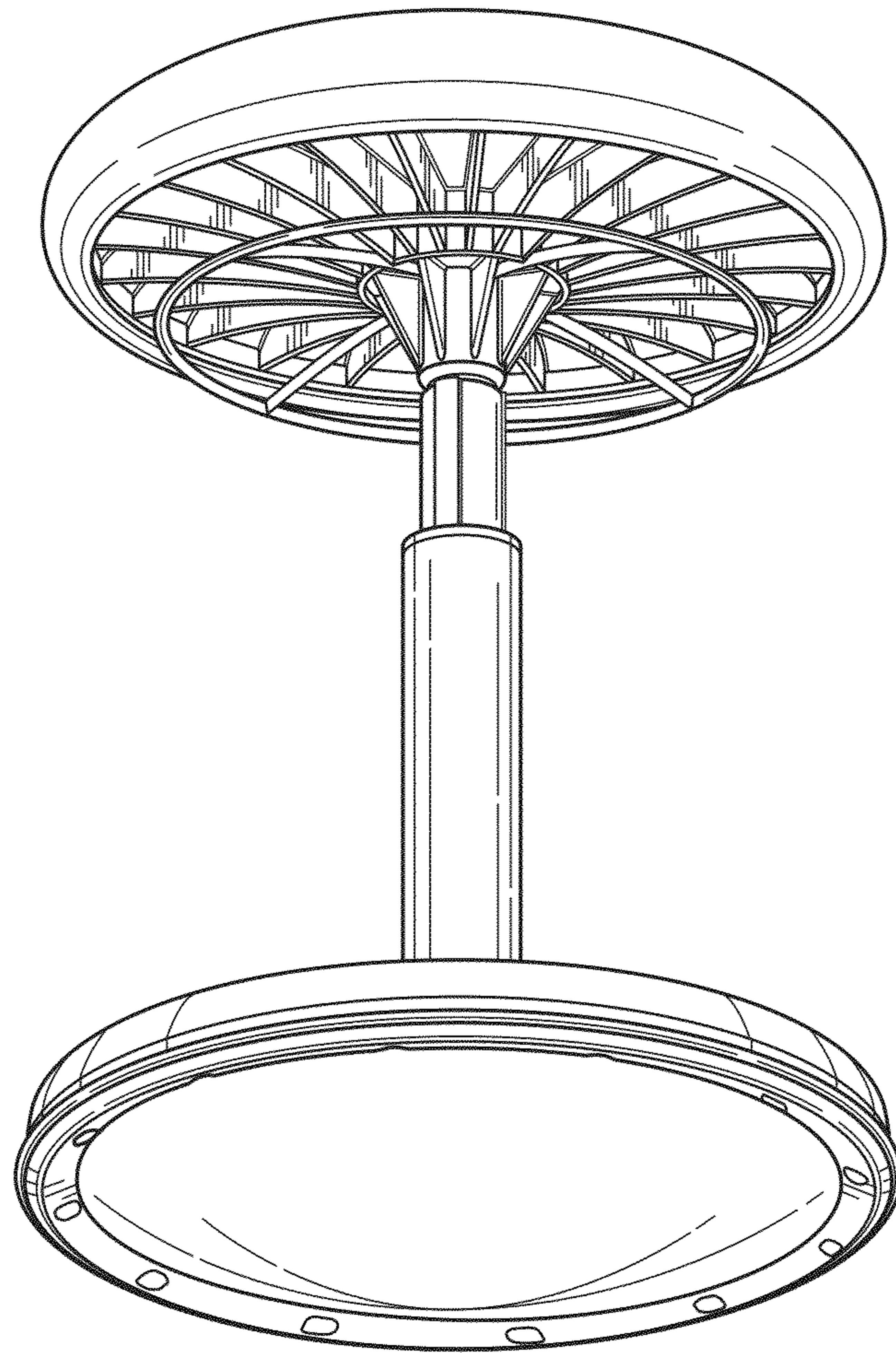


FIG. 9

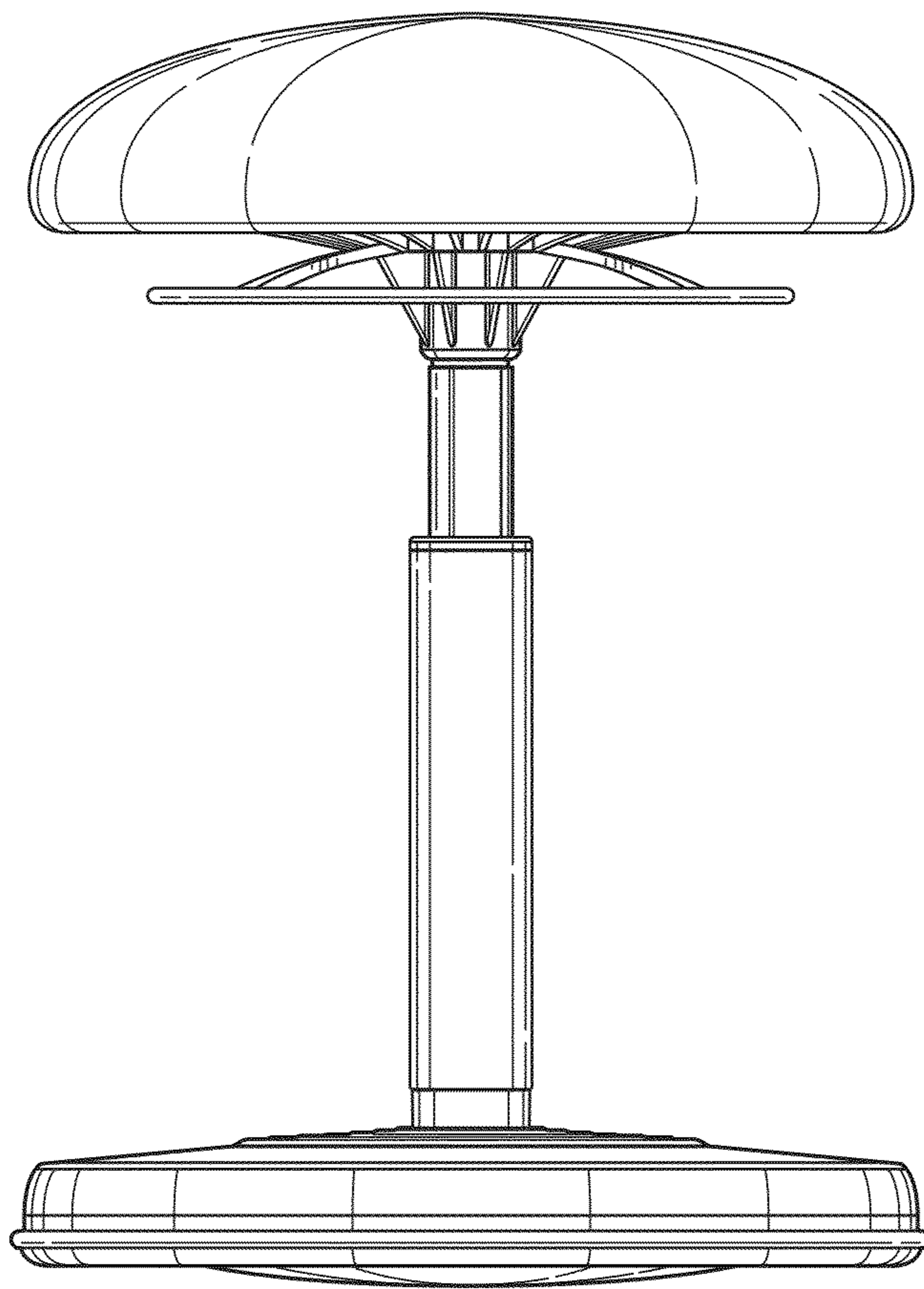


FIG. 10

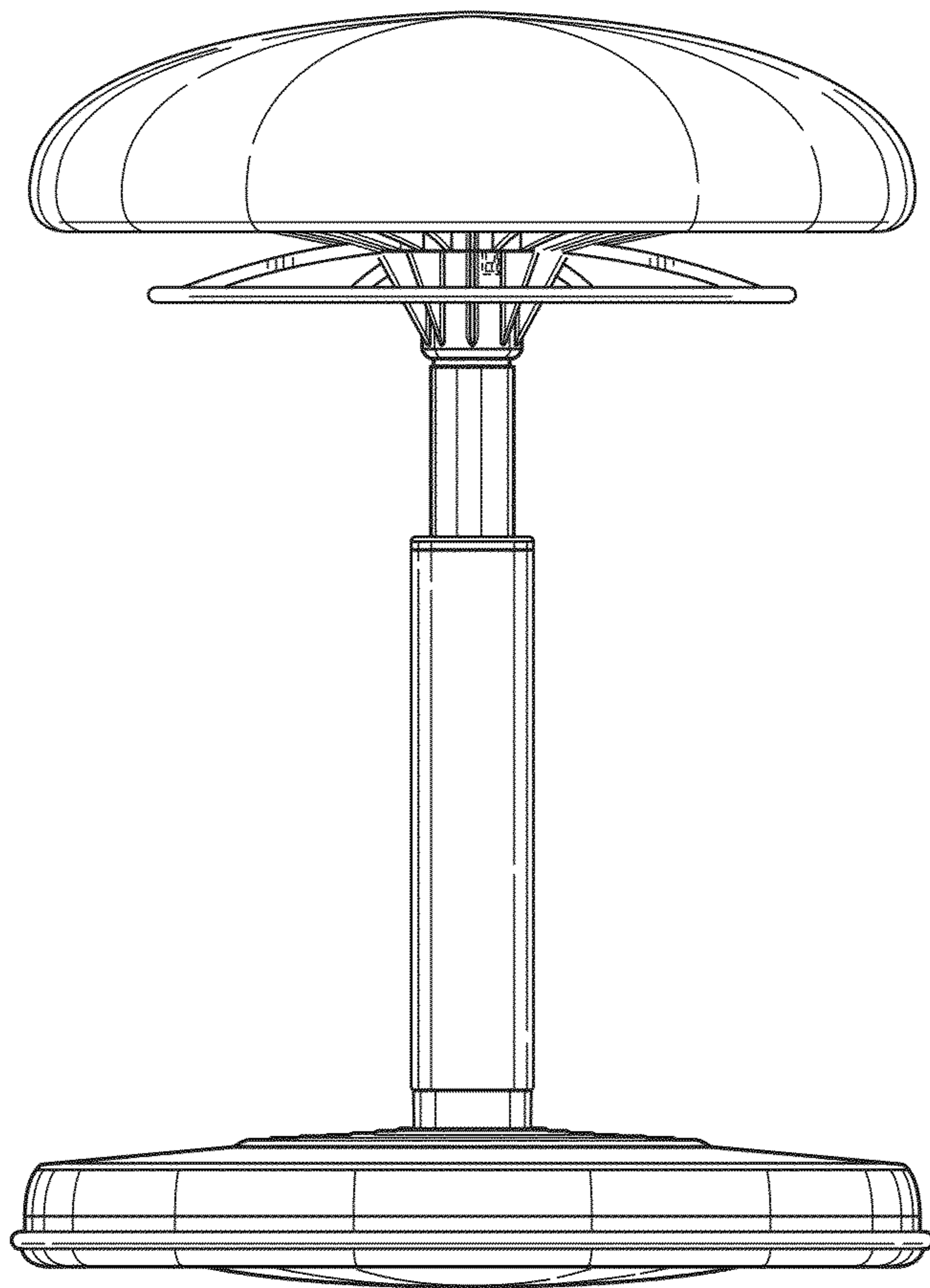


FIG. 11

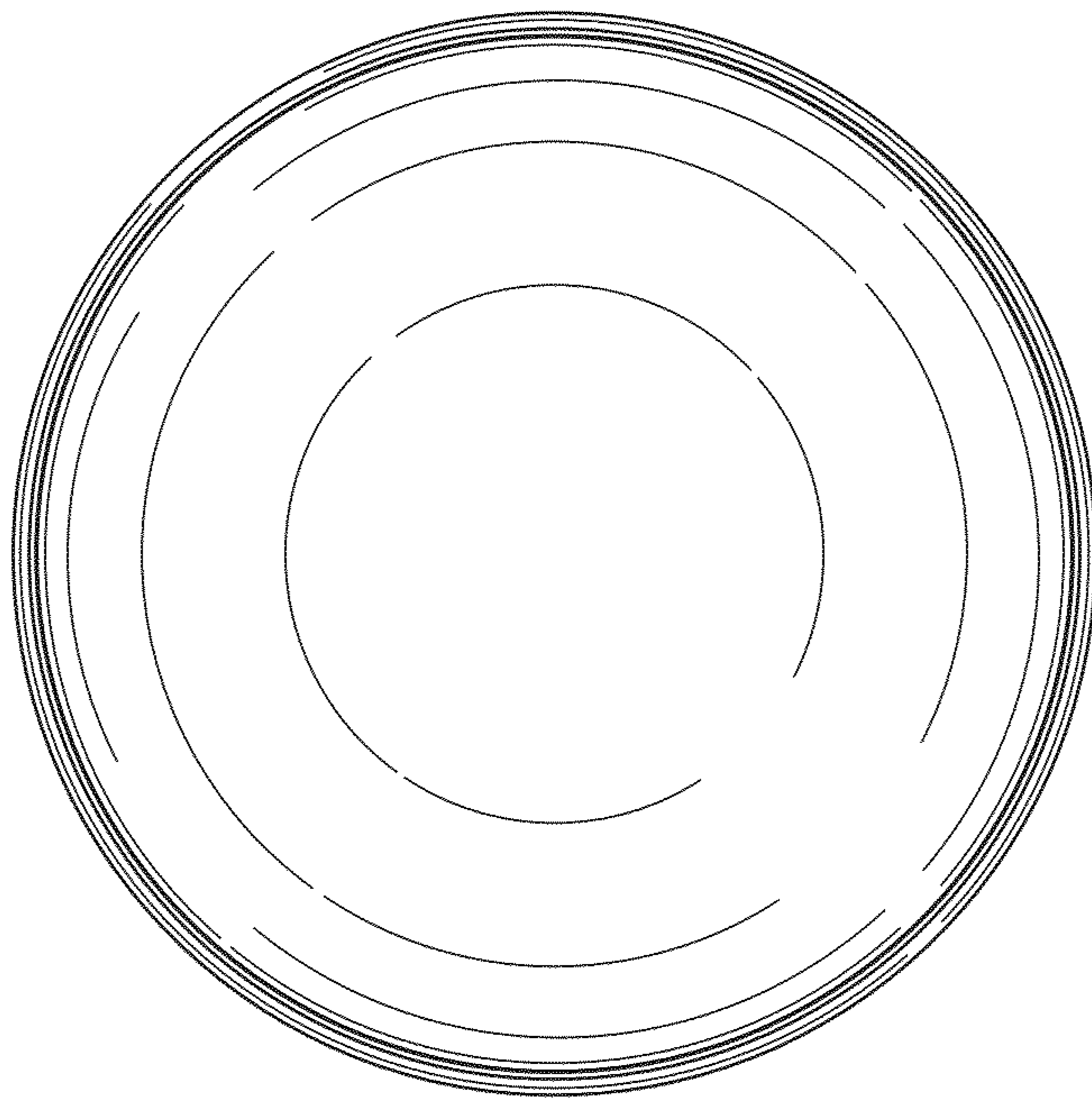


FIG. 12

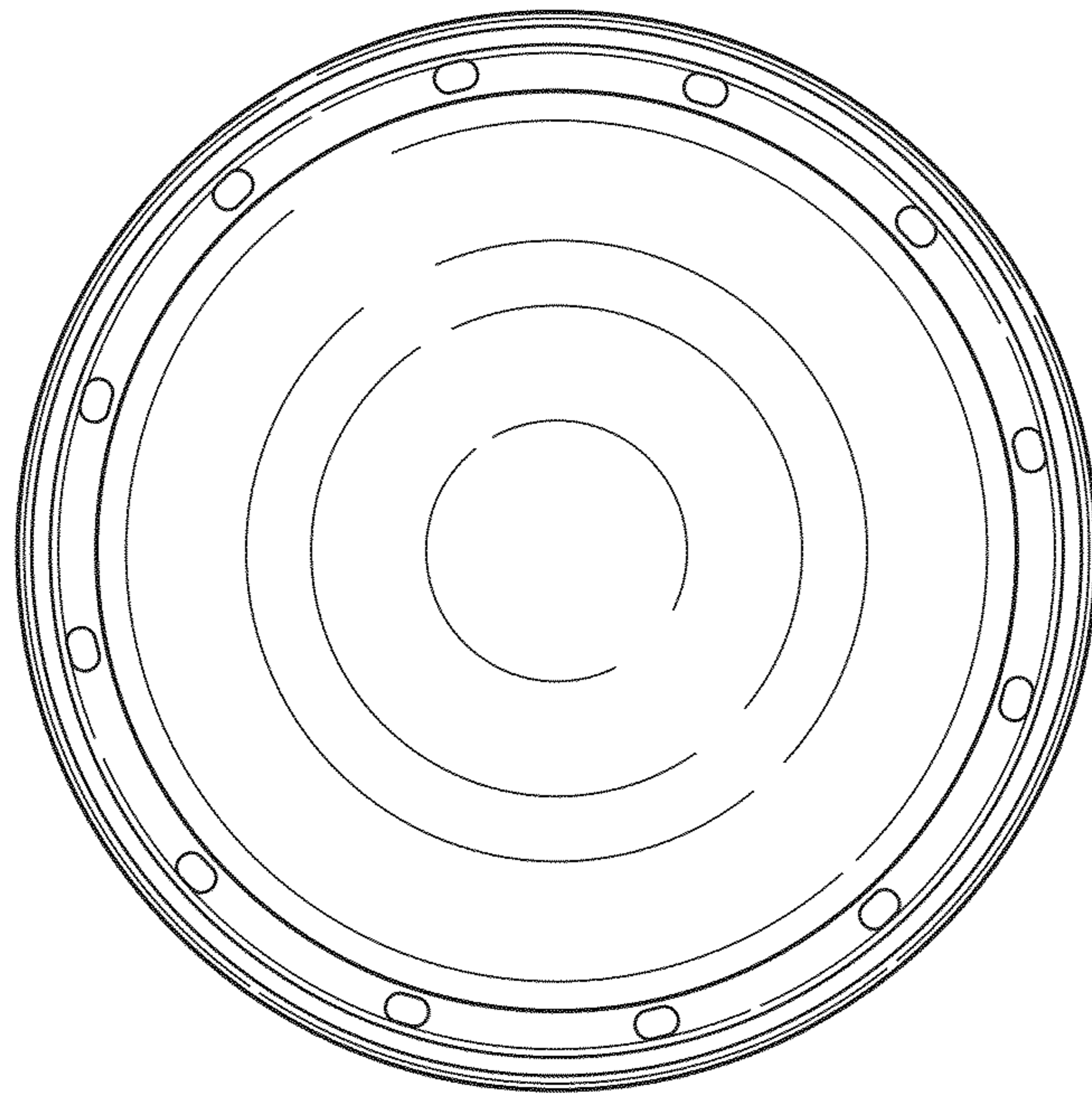


FIG. 13