

US00D746071S

(12) **United States Design Patent**
Haley

(10) **Patent No.:** **US D746,071 S**

(45) **Date of Patent:** **** Dec. 29, 2015**

(54) **FOLDABLE BOOSTER SEAT**

(71) Applicant: **Graco Children’s Products Inc.,**
Atlanta, GA (US)

(72) Inventor: **Timothy Ryan Haley,** Kalamazoo, MI
(US)

(73) Assignee: **Graco Children’s Products, Inc.,**
Atlanta, GA (US)

(**) Term: **14 Years**

(21) Appl. No.: **29/507,312**

(22) Filed: **Oct. 27, 2014**

(51) **LOC (10) Cl.** **06-01**

(52) **U.S. Cl.**
USPC **D6/333**

(58) **Field of Classification Search**
USPC D6/333–336, 339–341, 344, 381, 491,
D6/500–502; 297/250.1, 255, 256.15,
297/183.1–183.4, 184.15, 184.17, 256.16;
D12/129–130, 133; 5/94, 98.2,
5/103–104, 655, 655.3; D21/419;
280/30–31
CPC A47C 4/54; A47C 7/021; A47C 7/022;
A47C 31/11
See application file for complete search history.

(56) **References Cited**

U.S. PATENT DOCUMENTS

| | | | |
|--------------|---------|------------------|--------------|
| D286,470 S | 11/1986 | Takada | |
| D338,343 S | 8/1993 | Grange | |
| D434,232 S | 11/2000 | Abendschoen | |
| D450,935 S | 11/2001 | Dranschak et al. | |
| D468,117 S | 1/2003 | Kalhok et al. | |
| D487,640 S | 3/2004 | Chen | |
| D528,832 S * | 9/2006 | Shibata et al. | D6/333 |

(Continued)

OTHER PUBLICATIONS

Cybex, “Aton Q,” on or before Oct. 27, 2014.

(Continued)

Primary Examiner — Caron D Veynar
Assistant Examiner — Abraham Bahta

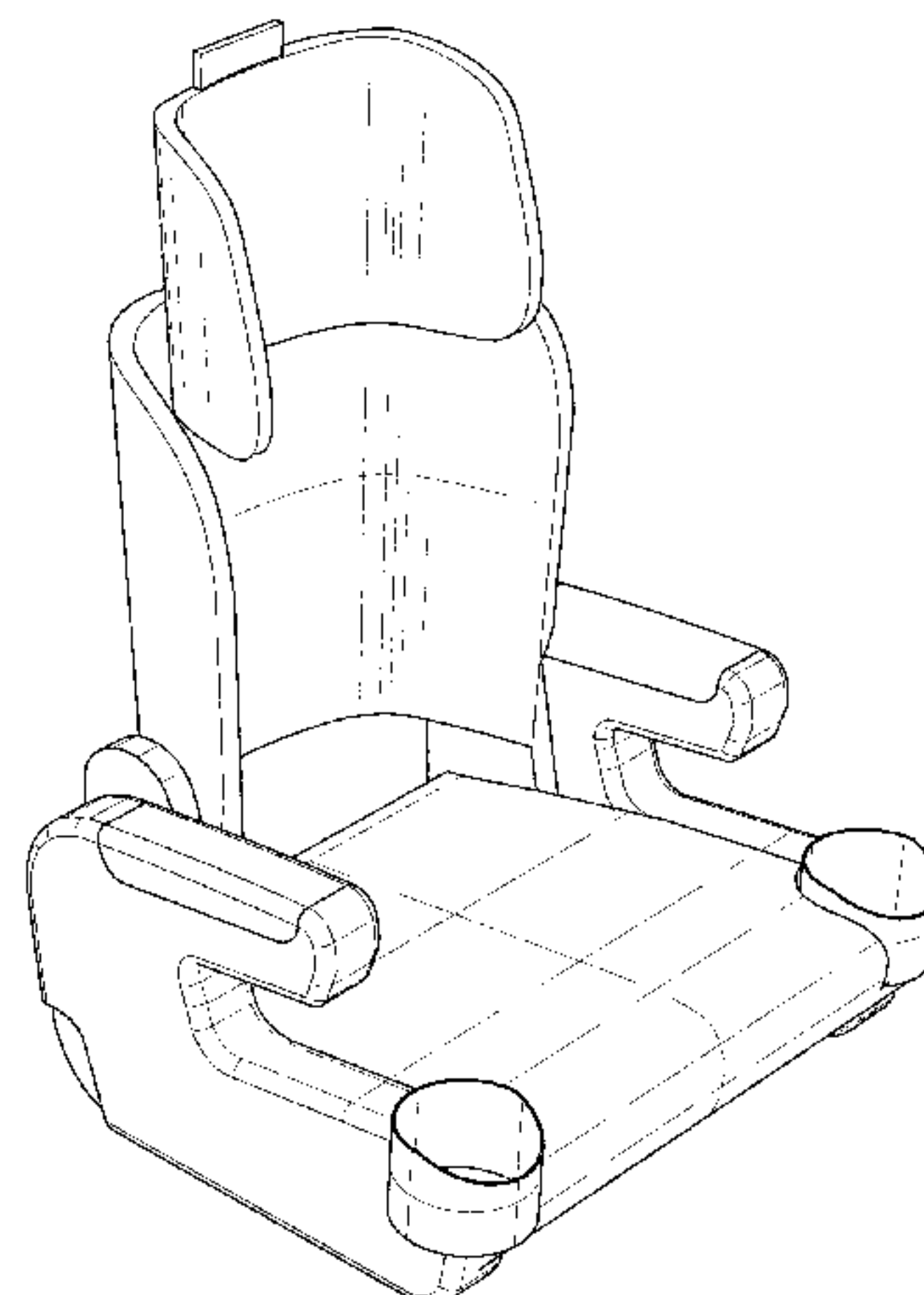
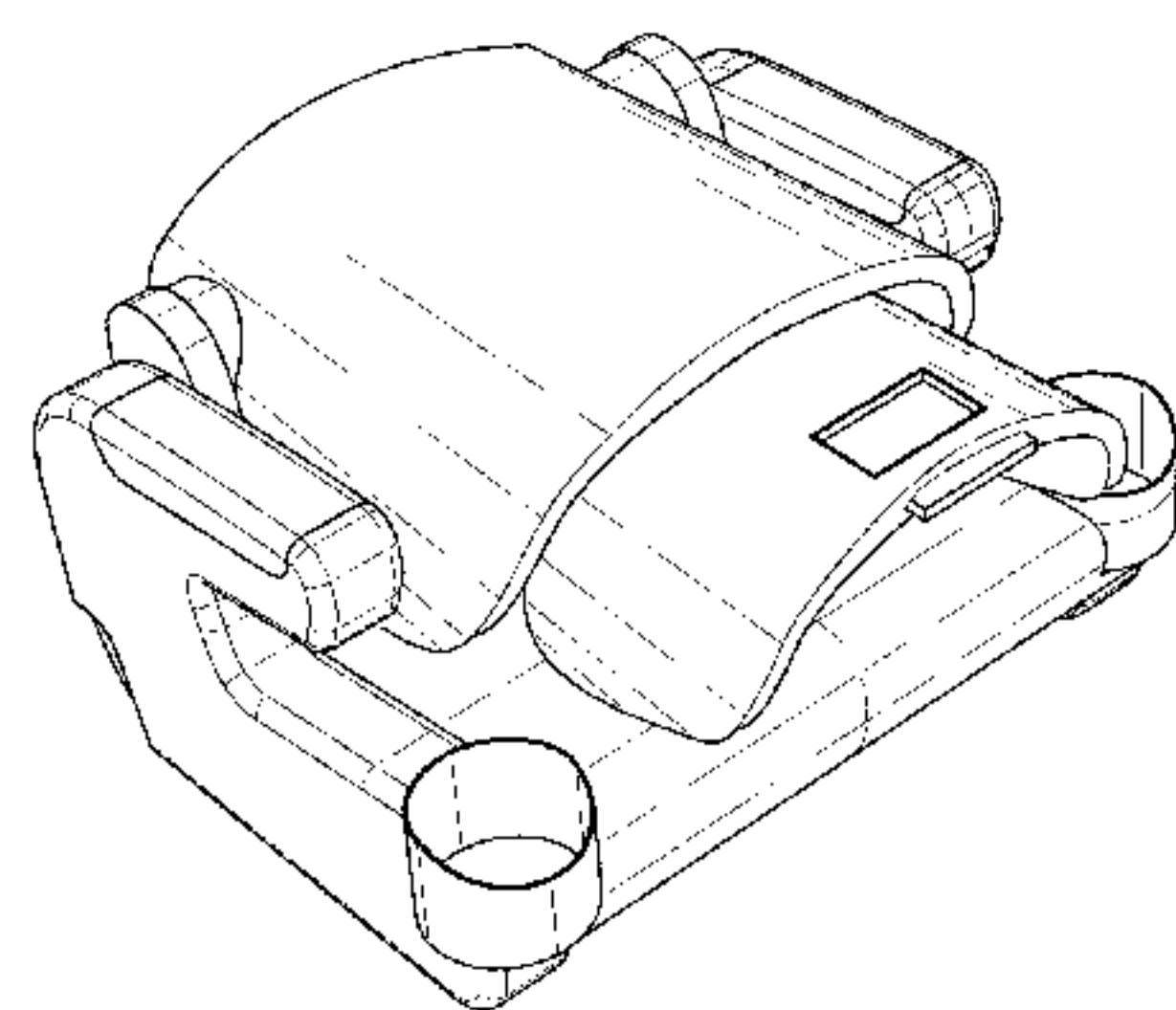
(57) **CLAIM**

The ornamental design for a “foldable booster seat,” as shown and described.

DESCRIPTION

FIG. 1 is a front right perspective view of the foldable booster seat in a folded position;
 FIG. 2 is a front view of the foldable booster seat in a folded position;
 FIG. 3 is a rear view of the foldable booster seat in a folded position;
 FIG. 4 is a right view of the foldable booster seat in a folded position;
 FIG. 5 is a left view of the foldable booster seat in a folded position;
 FIG. 6 is a top view of the foldable booster seat in a folded position;
 FIG. 7 is a bottom view of the foldable booster seat in a folded position;
 FIG. 8 is a front right perspective view of the foldable booster seat in an unfolded position;
 FIG. 9 is a front view of the foldable booster seat in an unfolded position;
 FIG. 10 is a rear view of the foldable booster seat in an unfolded position;
 FIG. 11 is a right view of the foldable booster seat in an unfolded position;
 FIG. 12 is a left view of the foldable booster seat in an unfolded position;
 FIG. 13 is a top view of the foldable booster seat in an unfolded position; and,
 FIG. 14 is a bottom view of the foldable booster seat in an unfolded position.
 The subject matter shown in dashed lines is for illustrative purposes and forms no part of the claimed design.

1 Claim, 14 Drawing Sheets



(56)

References Cited

U.S. PATENT DOCUMENTS

D604,054 S 11/2009 Biaud
D629,220 S 12/2010 Xu et al.
D632,501 S * 2/2011 Cymbalski et al. D6/333
D653,463 S * 2/2012 Hartenstine et al. D6/333
D655,925 S * 3/2012 Hartenstine et al. D6/333
D661,500 S 6/2012 Hutchinson et al.
D680,761 S * 4/2013 Spaven et al. D6/333
D682,563 S * 5/2013 Goldberg D6/333

D683,142 S * 5/2013 Goldberg D6/333
D686,001 S * 7/2013 Zhao D6/333

OTHER PUBLICATIONS

Joie, "i-AnchorSafe System," on or before Oct. 27, 2014.
Graco, "VBL 2013 Stroller, PnP, and ICS," on or before Oct. 27, 2014.
Design U.S. Appl. No. 29/507,313, filed Oct. 27, 2014 entitled "Car Seat," Inventor: Haley, Timothy Ryan.

* cited by examiner

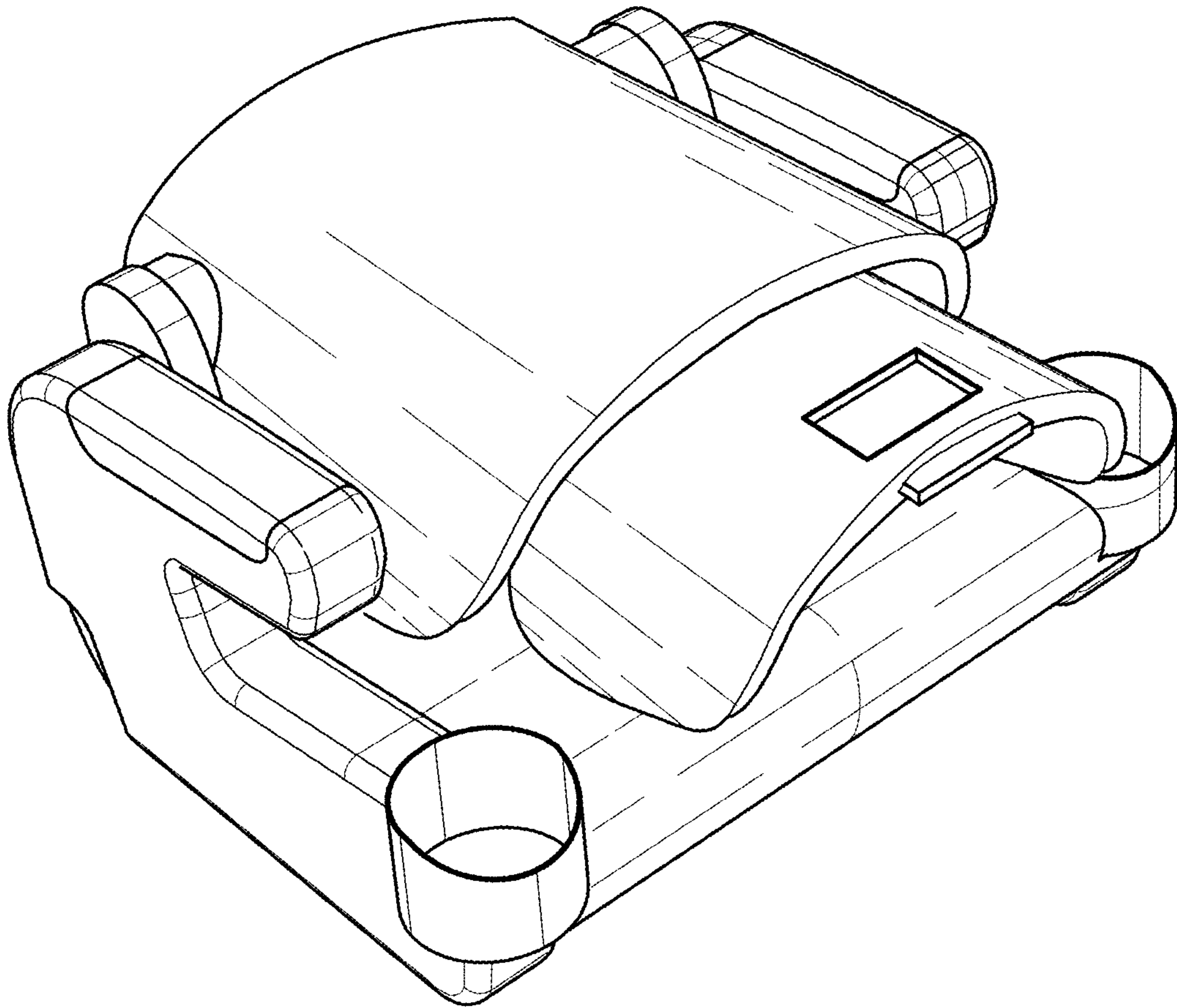


FIG. 1

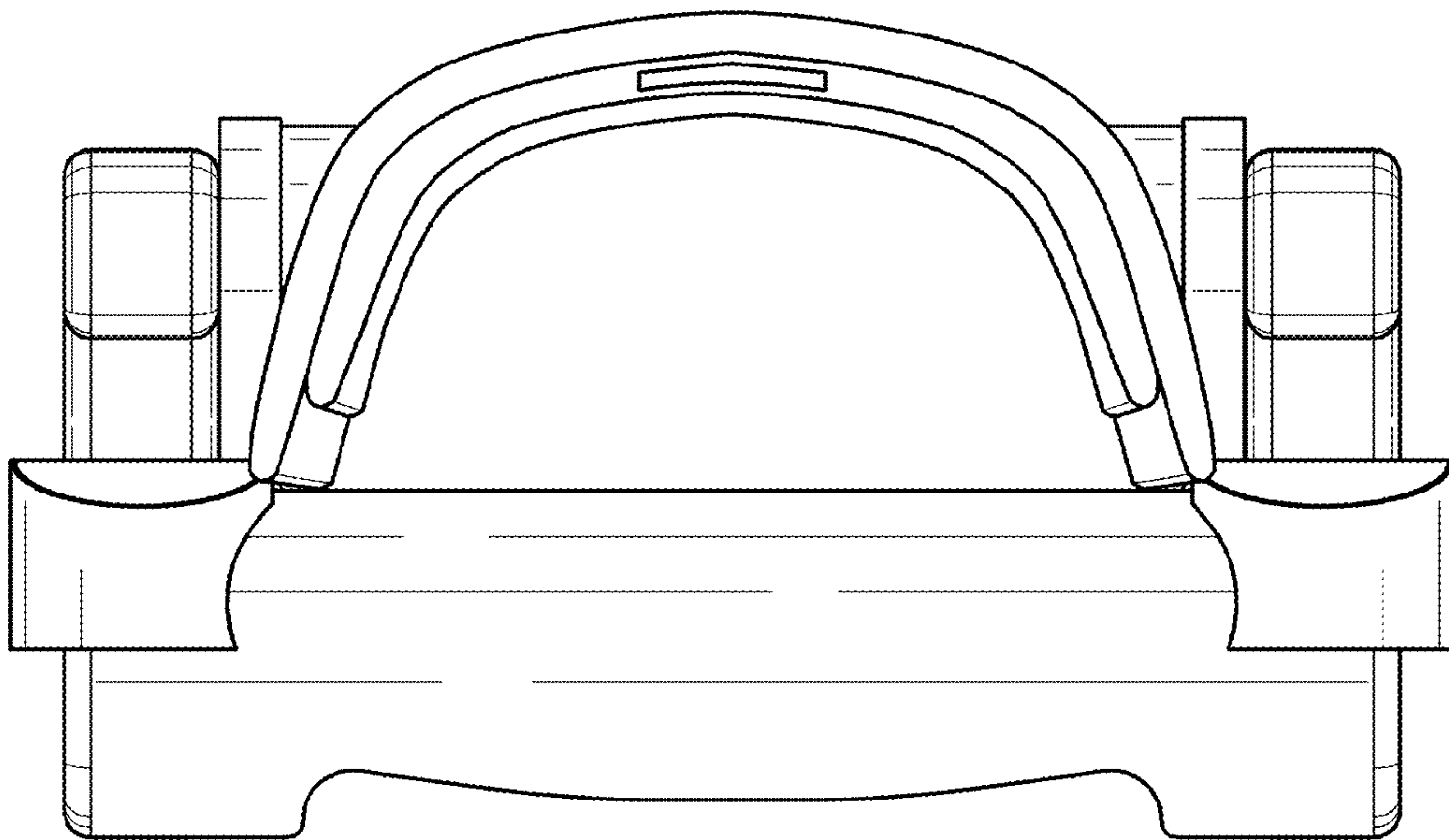


FIG. 2

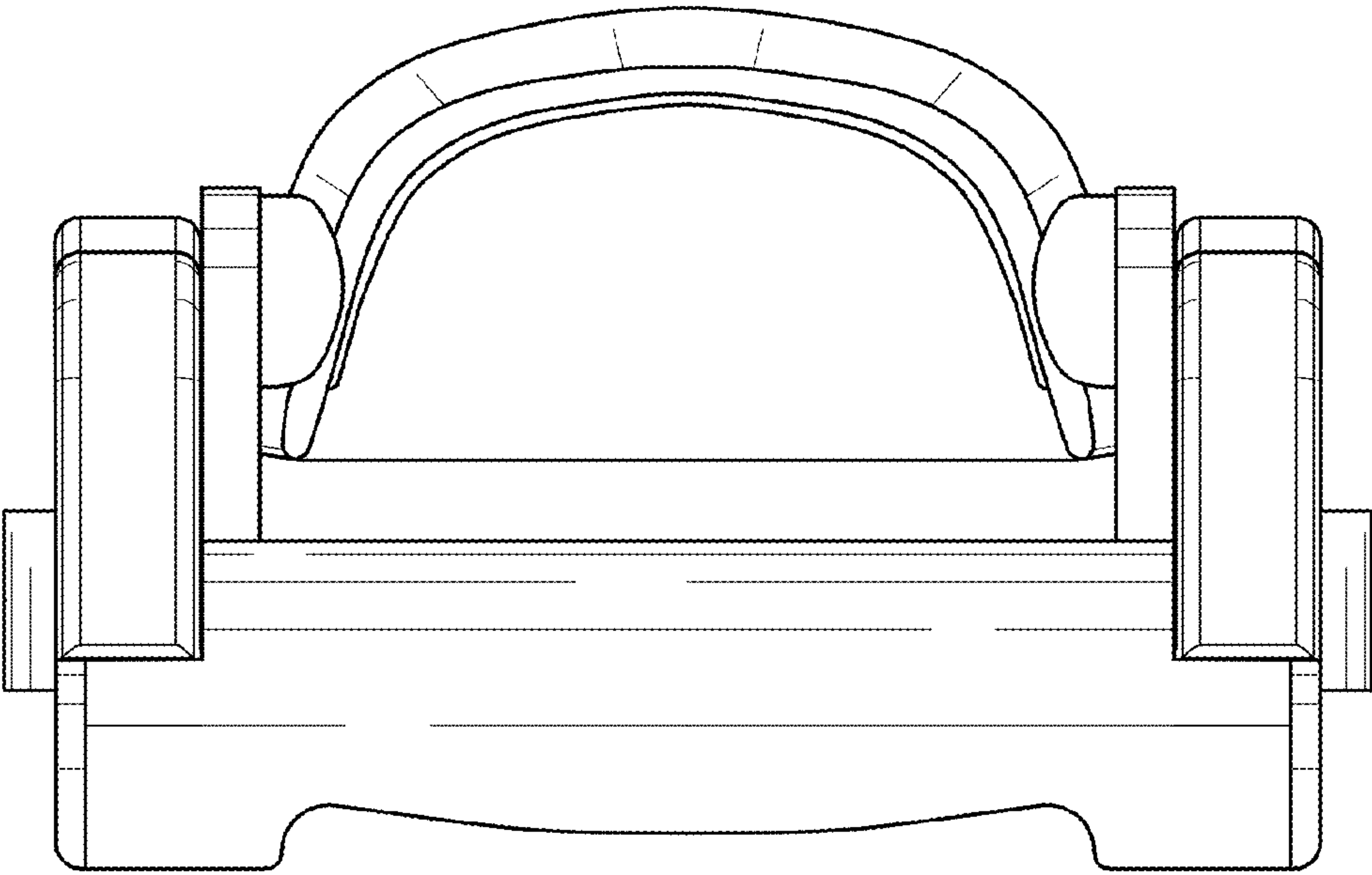


FIG. 3

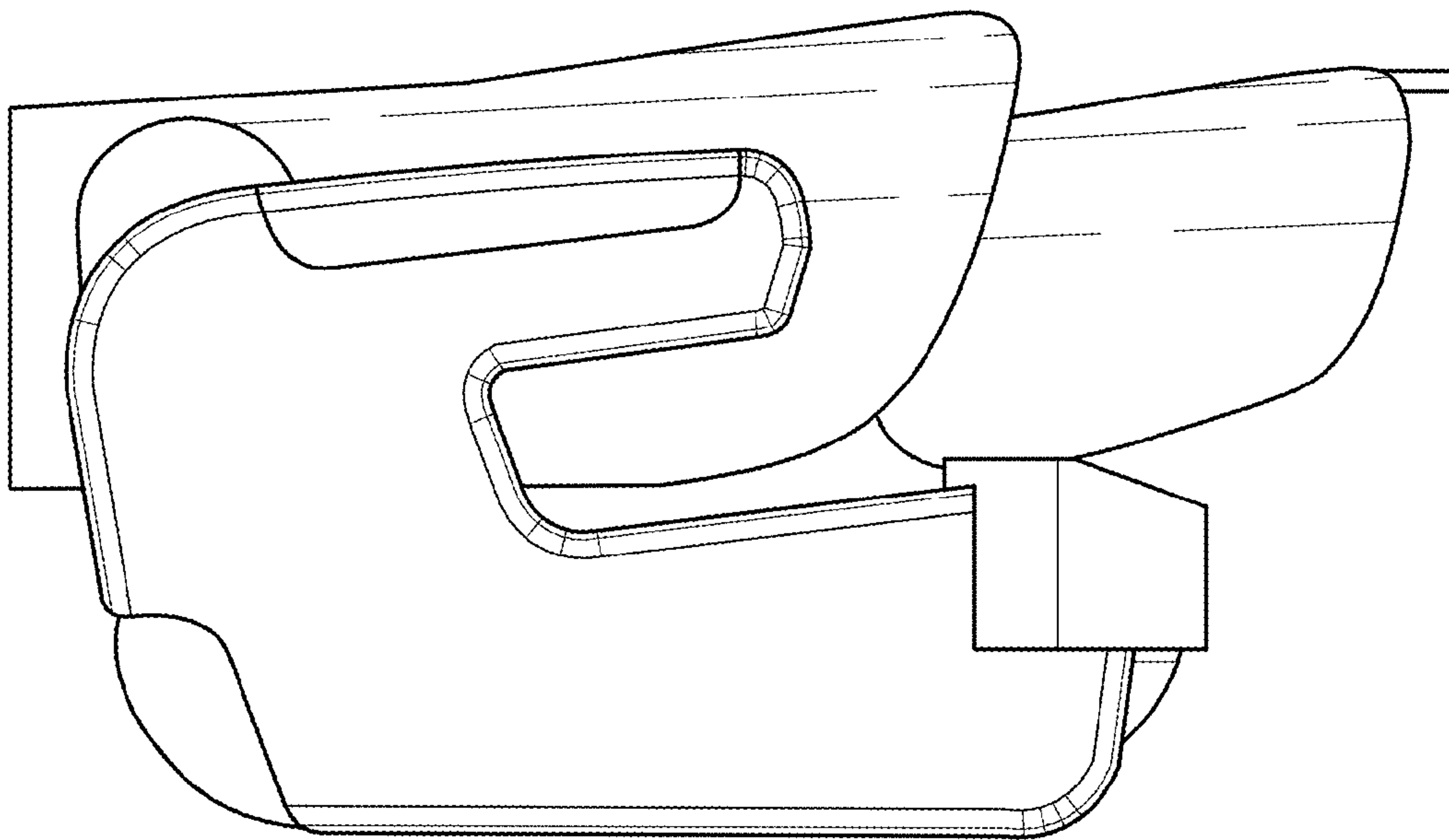


FIG. 4

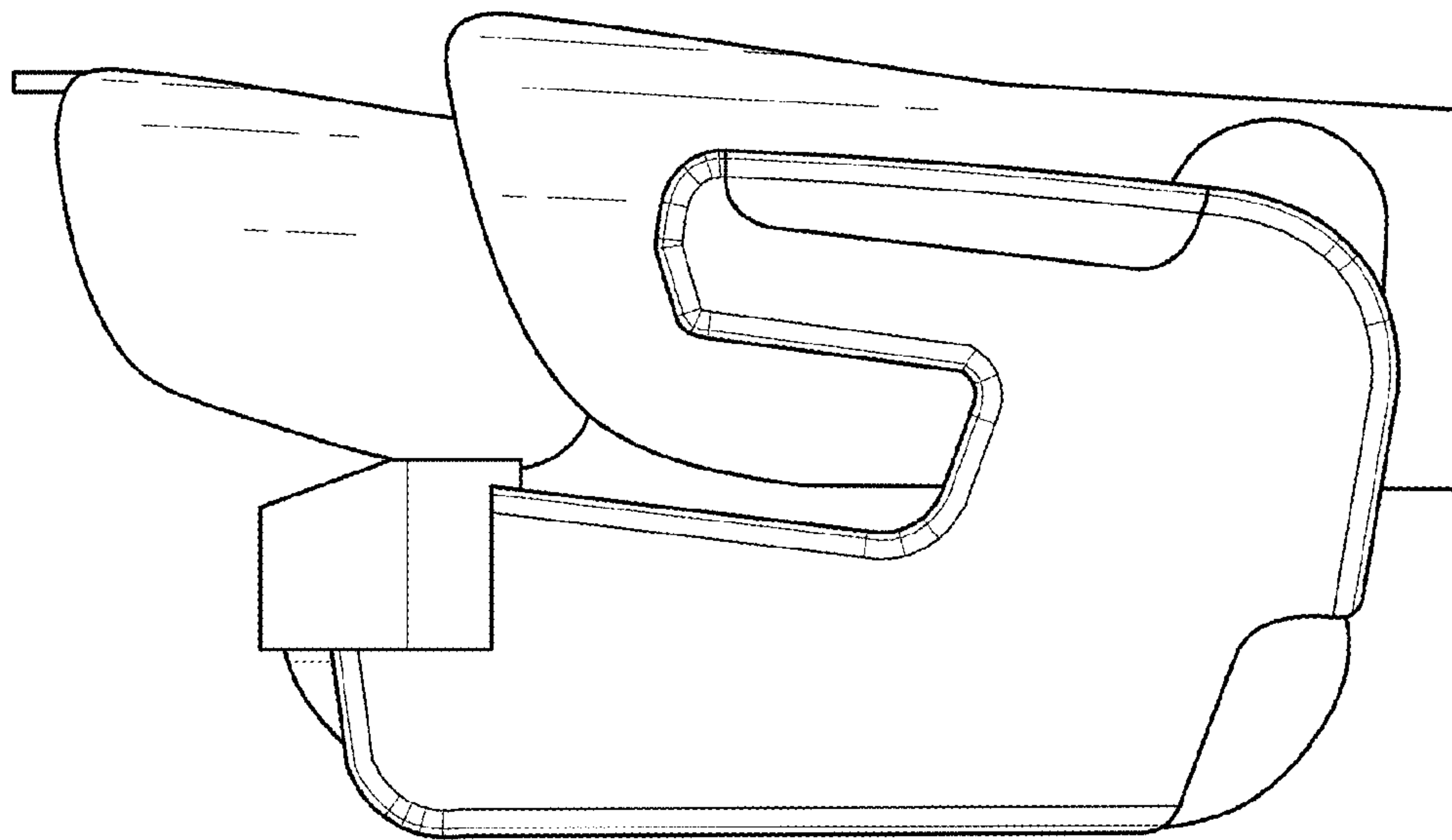


FIG. 5

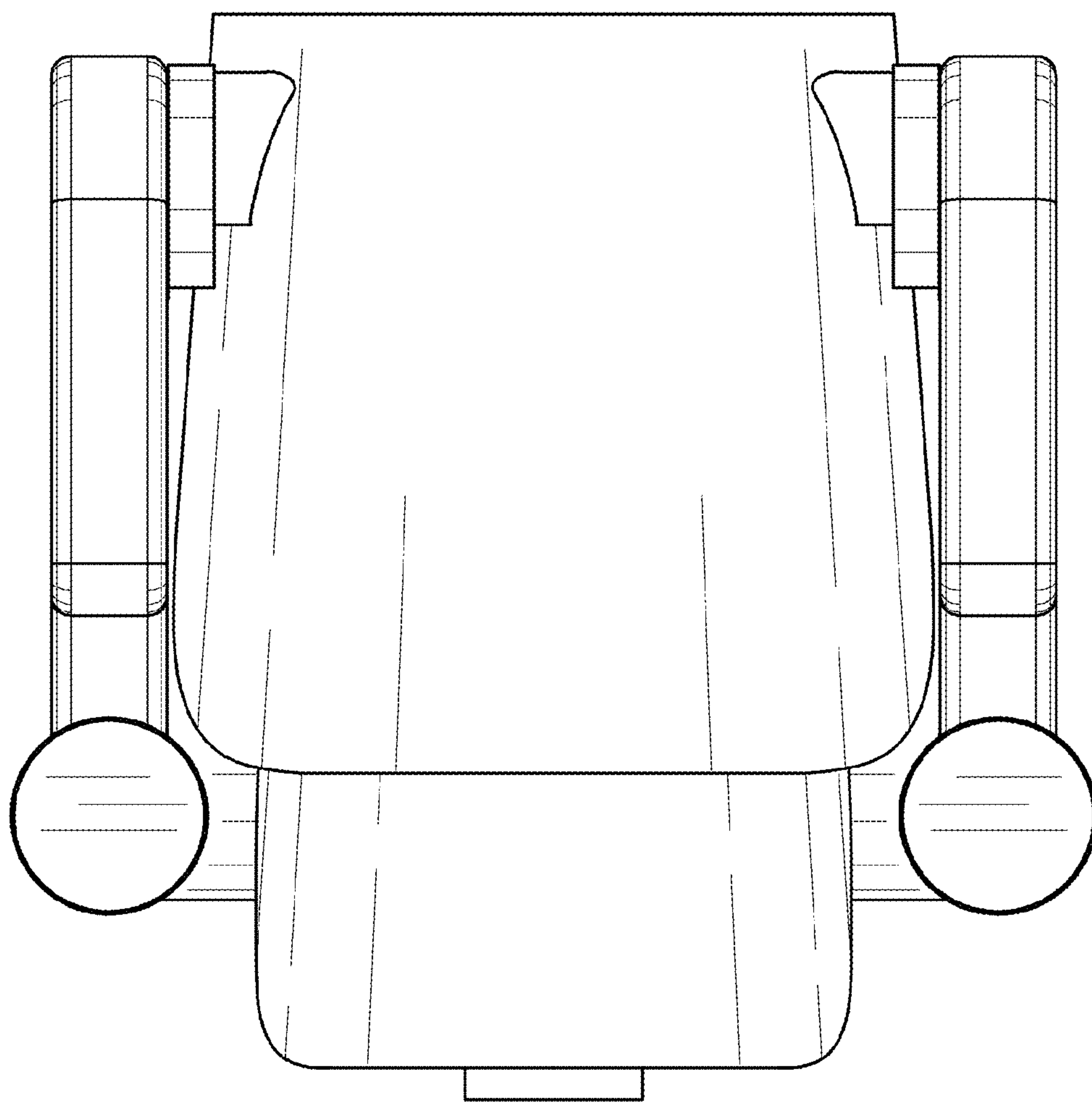


FIG. 6

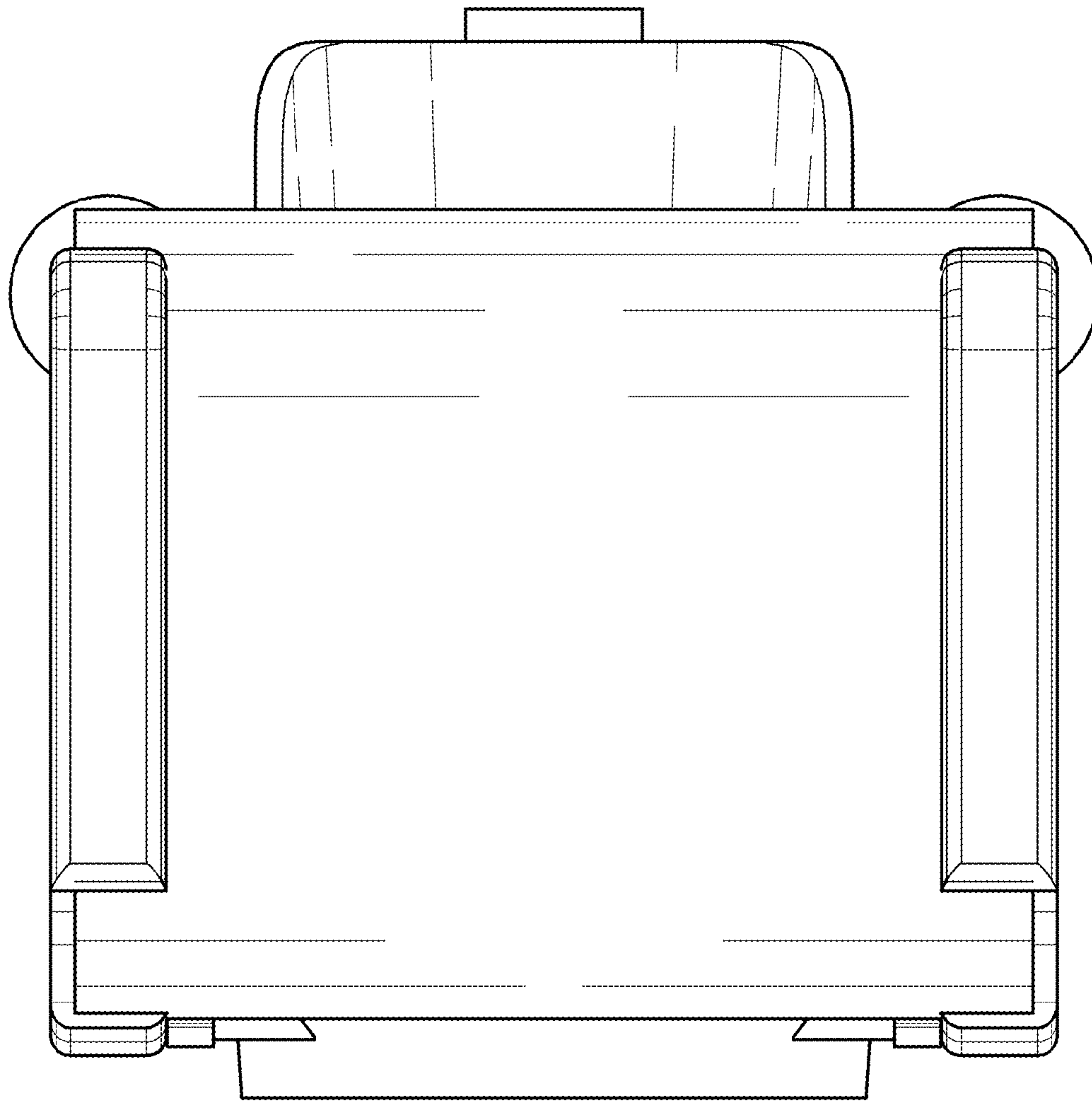


FIG. 7

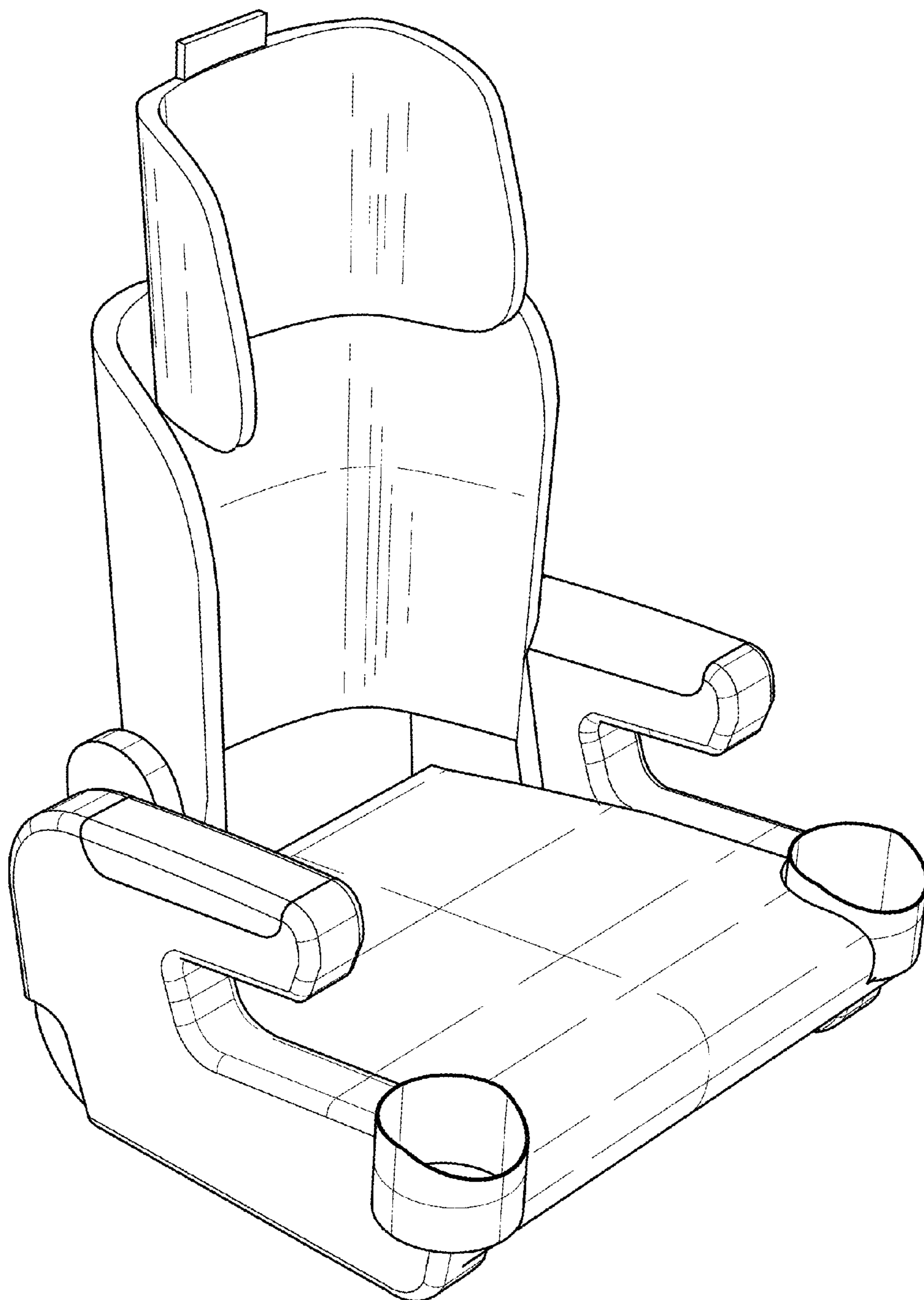


FIG. 8

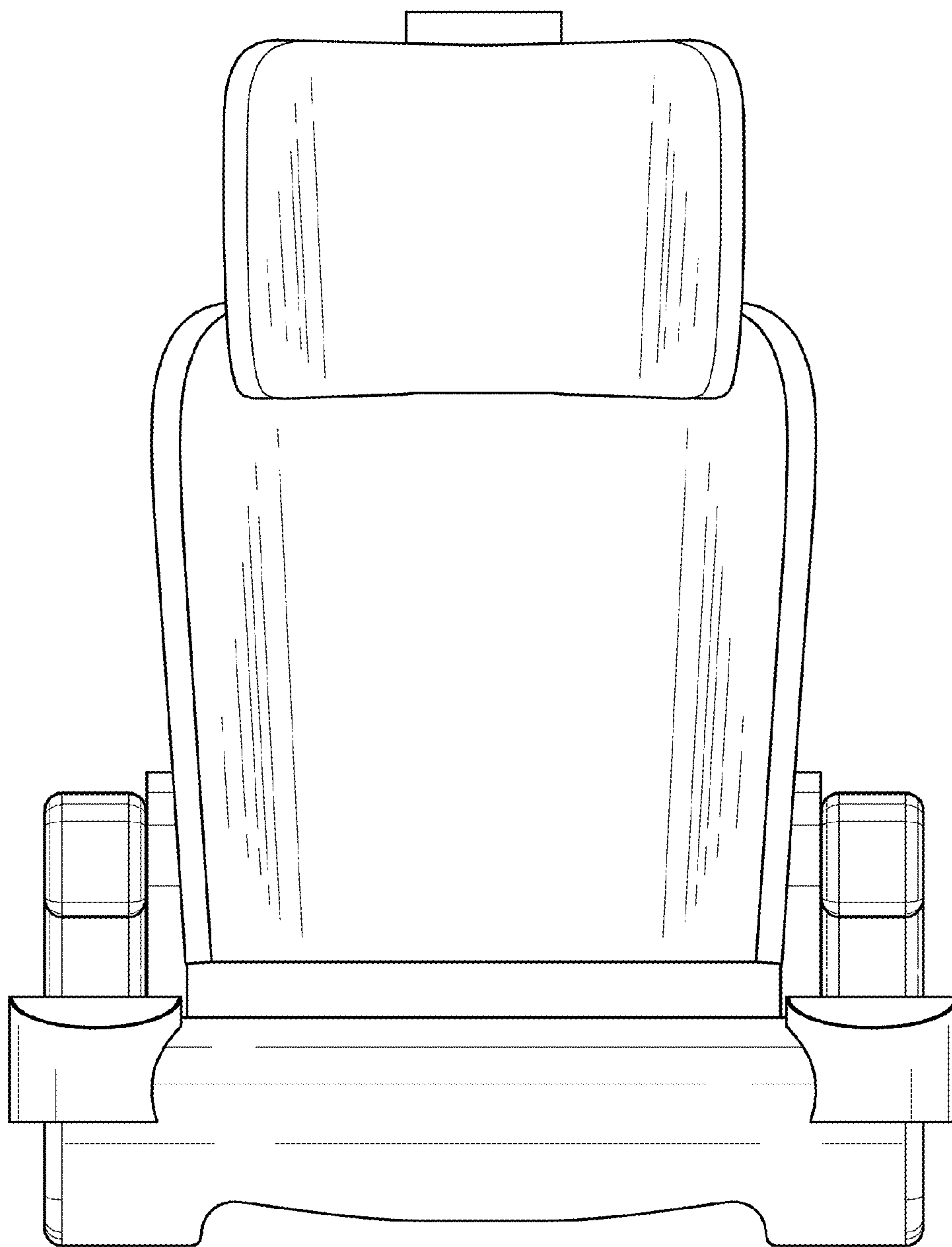


FIG. 9

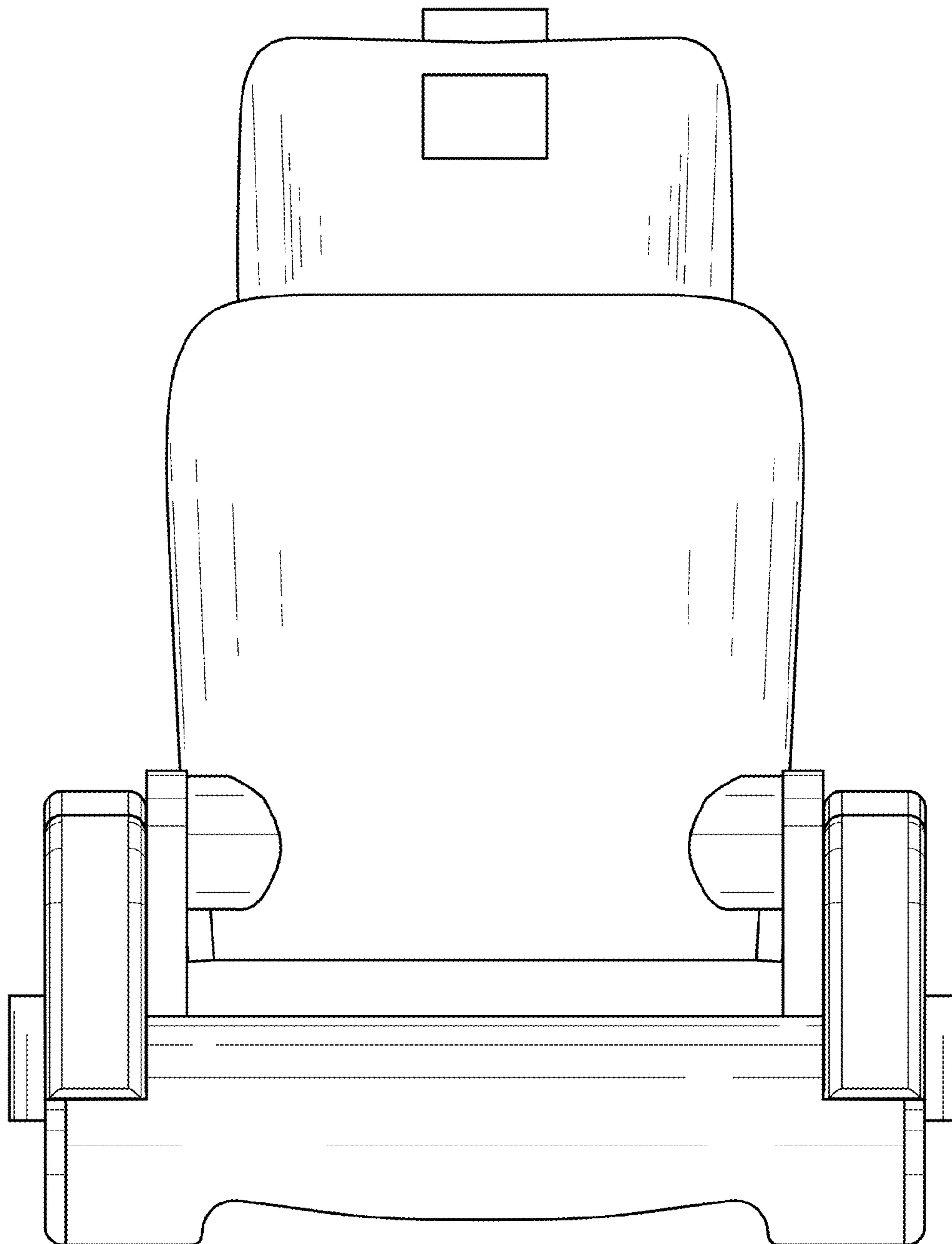


FIG. 10

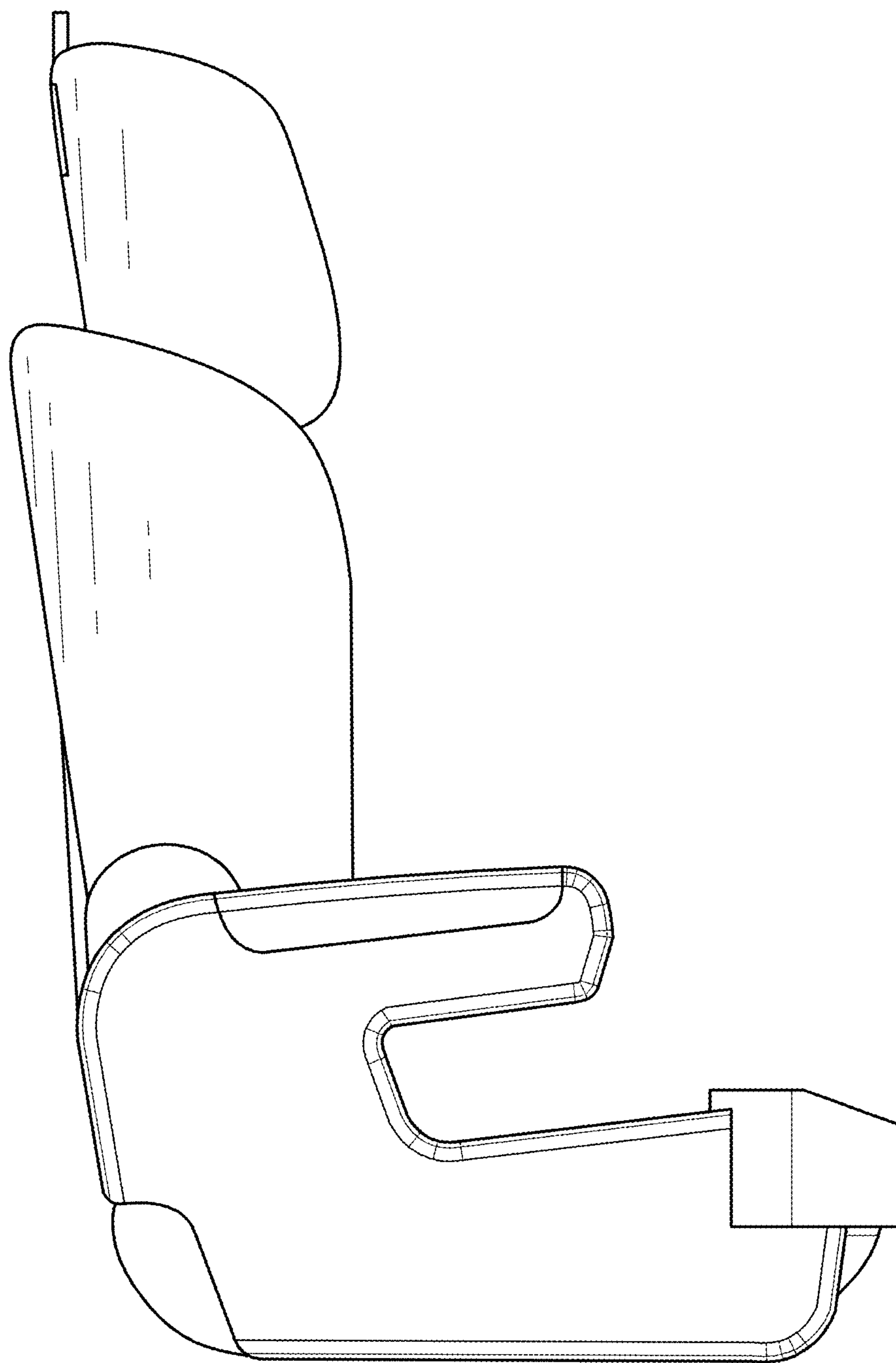


FIG. 11

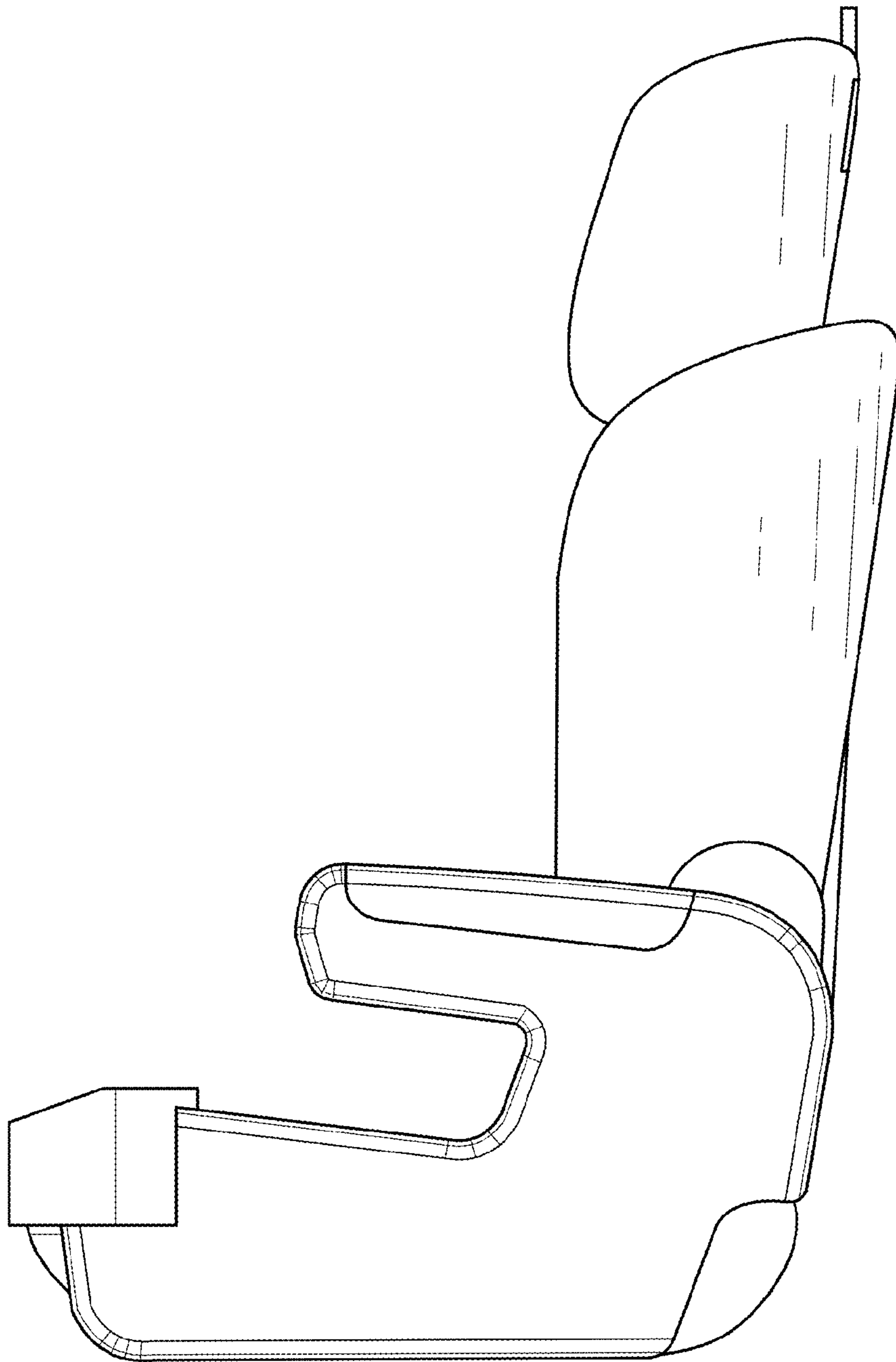


FIG. 12

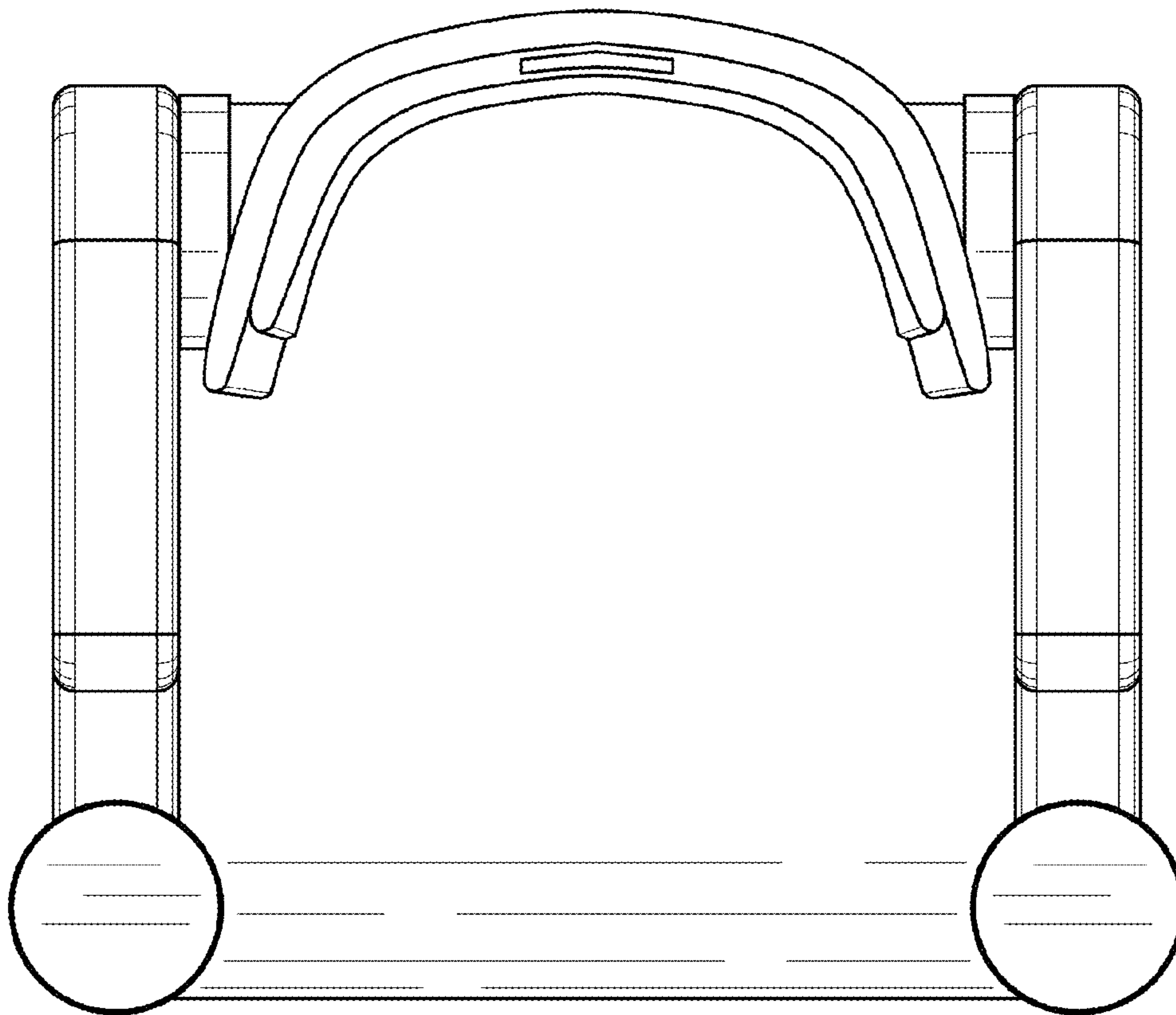


FIG. 13

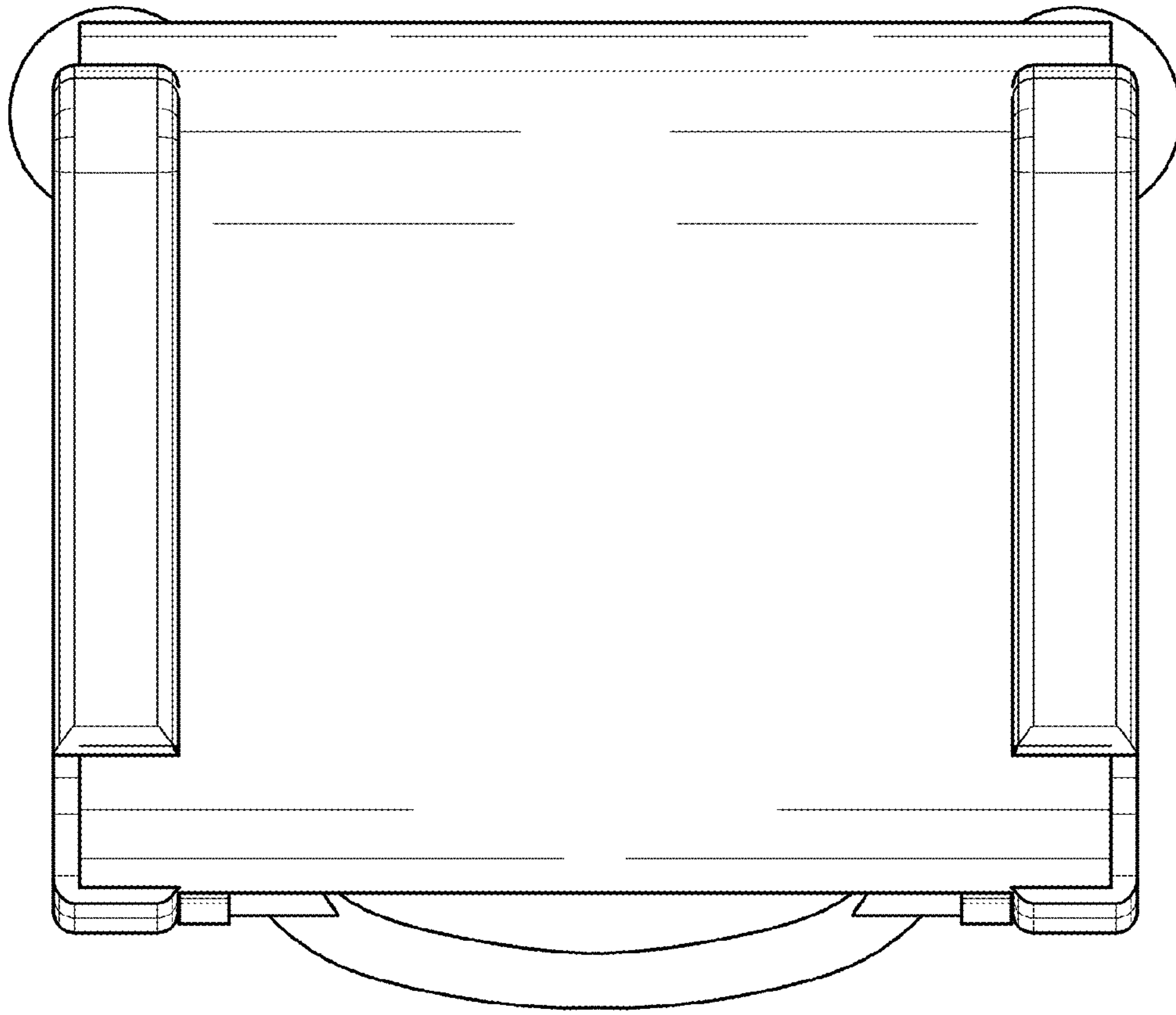


FIG. 14