



US00D746061S

(12) **United States Design Patent**
Wax

(10) **Patent No.:** **US D746,061 S**

(45) **Date of Patent:** **** Dec. 29, 2015**

- (54) **SUITCASE INSERT**
- (71) Applicant: **Saul Barry Wax**, Sandia Park, NM (US)
- (72) Inventor: **Saul Barry Wax**, Sandia Park, NM (US)
- (**) Term: **14 Years**
- (21) Appl. No.: **29/519,130**
- (22) Filed: **Mar. 2, 2015**

- 4,805,776 A 2/1989 Namgyal et al.
- 4,836,374 A 6/1989 Hutchins et al.
- 5,111,919 A 5/1992 Hamatani et al.

(Continued)

FOREIGN PATENT DOCUMENTS

WO 2015/023327 2/2015

OTHER PUBLICATIONS

“Around Wine. Wine Suitcase. AroundWine.co.uk”, <http://www.aroundwine.co.uk/wine-miscellany/wine-transportation/wine-suitcases-bags/wine-suitcase.html>, Sep. 24, 2010, 1-2.

(Continued)

Related U.S. Application Data

- (63) Continuation-in-part of application No. 29/471,346, filed on Oct. 30, 2013, now Pat. No. Des. 723,279.
- (51) **LOC (10) Cl.** **03-01**
- (52) **U.S. Cl.**
USPC **D3/318; D7/703**
- (58) **Field of Classification Search**
USPC D3/284, 285, 313, 318, 319; D7/601, D7/602, 619.1, 701, 702, 703; D9/715, D9/719, 737, 738; 53/48.1, 48.2, 49; 220/500, 507, 509, 510, 515, 516
CPC A45C 5/03; A45C 2013/026; A45C 2200/20; A45C 5/14; A45C 3/00; A45C 13/02; B25H 3/023; B25H 3/06
See application file for complete search history.

Primary Examiner — Sandra Snapp

Assistant Examiner — Holly E Thurman

(74) *Attorney, Agent, or Firm* — Peacock Myers, P.C.; Janeen Vilven

(57) **CLAIM**

The ornamental design for a suitcase insert, as shown and described.

DESCRIPTION

FIG. 1 is a perspective view of the suitcase insert showing my new design;
FIG. 2 is a left side view thereof;
FIG. 3 is a right side view thereof;
FIG. 4 is a front view thereof;
FIG. 5 is a back view thereof;
FIG. 6 is a top view thereof;
FIG. 7 is a bottom view thereof;
FIG. 8 is a perspective view of the suitcase insert in use within a suitcase; and,
FIG. 9 is the cross sectional view taken in the direction of lines 9-9 of FIG. 6.

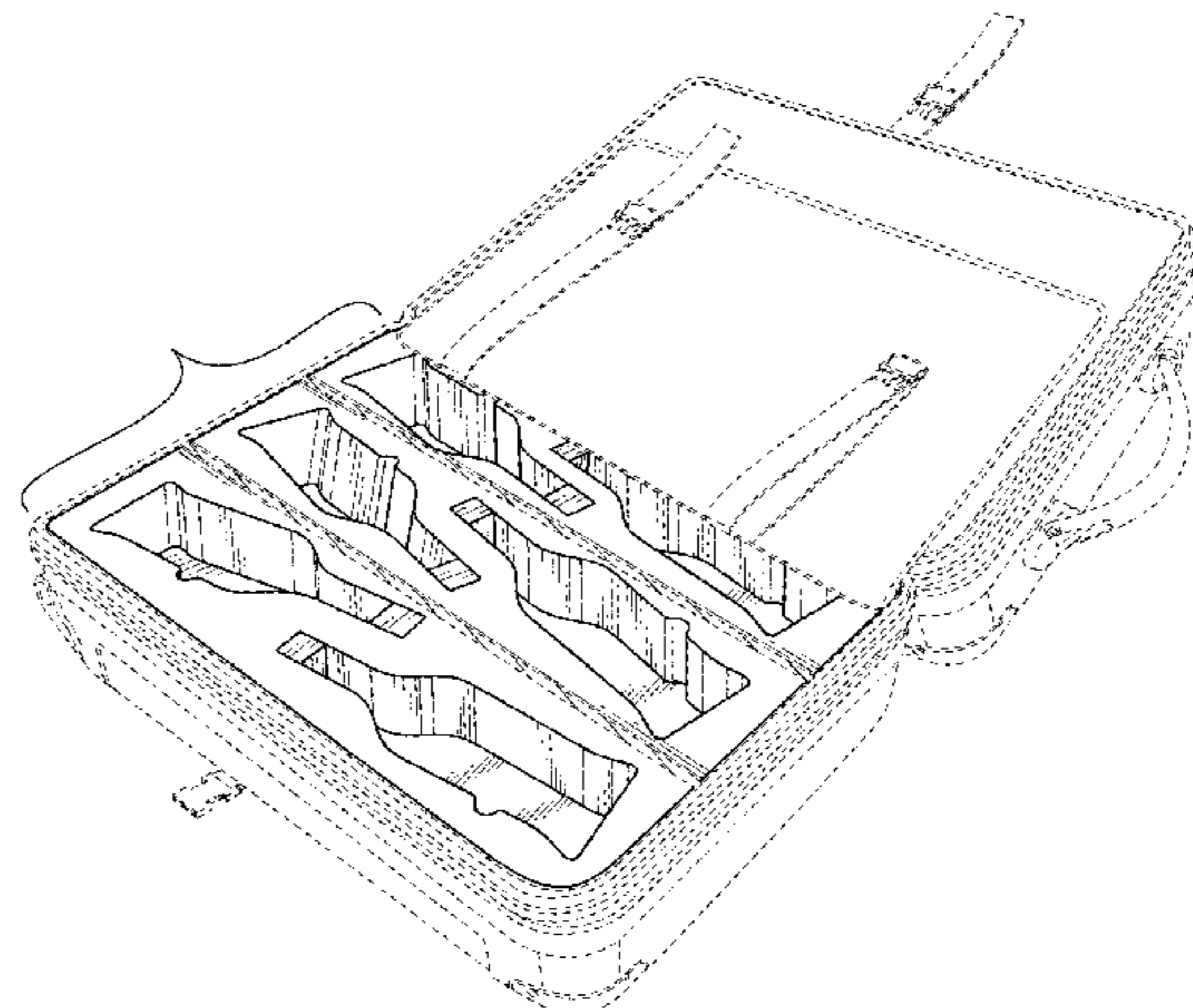
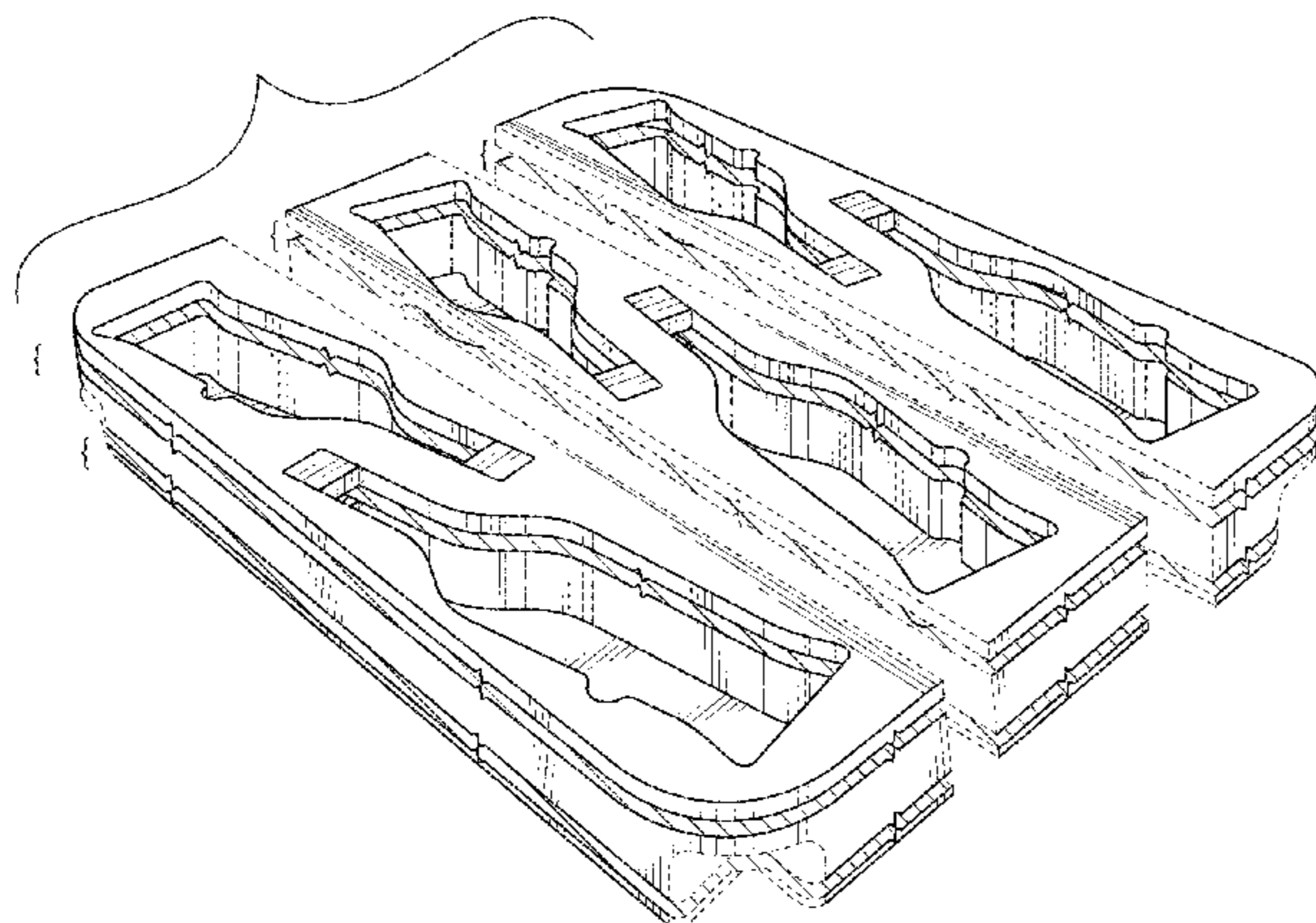
The appearance of separation, break lines and brackets form no part of the claimed design. The broken lines are for illustrative purposes and form no part of the claimed design.

1 Claim, 4 Drawing Sheets

(56) **References Cited**

U.S. PATENT DOCUMENTS

- 1,263,343 A 4/1918 Beck
- 2,245,999 A 6/1941 Plotkin
- 2,657,726 A 11/1953 Silverman
- D175,722 S 10/1955 Graham
- 4,106,597 A 8/1978 Shook et al.
- 4,117,933 A 10/1978 Lachance
- D263,176 S 3/1982 Harrington
- 4,628,705 A 12/1986 Nave
- D289,825 S 5/1987 Humphries
- D292,057 S 9/1987 Beal



(56)

References Cited

U.S. PATENT DOCUMENTS

D331,480 S 12/1992 Aaserud
 D337,887 S 8/1993 Feinbloom
 5,320,223 A 6/1994 Allen
 5,474,204 A 12/1995 Sutyla
 D369,678 S 5/1996 Hammer
 D385,108 S 10/1997 Tschudy
 D385,310 S * 10/1997 Heitmann D21/393
 6,036,019 A * 3/2000 Silverman A45C 11/20
 206/478
 6,561,328 B1 5/2003 Huang
 6,779,665 B2 * 8/2004 Bolanos A61B 10/0096
 206/459.5
 6,827,275 B2 * 12/2004 Allen B25H 3/00
 235/487
 7,178,343 B2 * 2/2007 Linder F25B 21/02
 62/3.6
 D554,866 S * 11/2007 Hasty D3/319
 7,410,053 B2 8/2008 Bowen et al.
 D595,056 S * 6/2009 Pettersson D14/436
 7,565,974 B2 7/2009 Adams, Jr.
 D634,541 S 3/2011 Gutierrez
 8,005,189 B2 8/2011 Ripp et al.

8,104,615 B2 * 1/2012 Liu B25H 3/003
 206/373
 D692,177 S 10/2013 Angiolillo
 D723,279 S 3/2015 Wax
 D728,941 S * 5/2015 Stoeckmann D3/313
 9,072,653 B2 * 7/2015 Nemard A61J 1/03
 2003/0209296 A1 * 11/2003 Aono C01B 3/0078
 148/421
 2009/0050429 A1 * 2/2009 Adams, Jr. A45C 13/02
 190/109
 2009/0166141 A1 * 7/2009 Davis A45C 5/14
 190/18 A
 2013/0000257 A1 * 1/2013 Waltrip B65D 85/30
 53/449
 2015/0047941 A1 * 2/2015 Wax A45C 5/03
 190/18 A
 2015/0150348 A1 * 6/2015 Wax A45C 5/03
 190/18 A

OTHER PUBLICATIONS

“DIY Wine Carrier Let’s You Travel With Wine Like the Pros”,
<http://mymansbelly.com/2013/02/22/diy-wine-carrier-lets-you-travel-with-wine-like-the-pros/>, Feb. 22, 2013, 1-11.

* cited by examiner

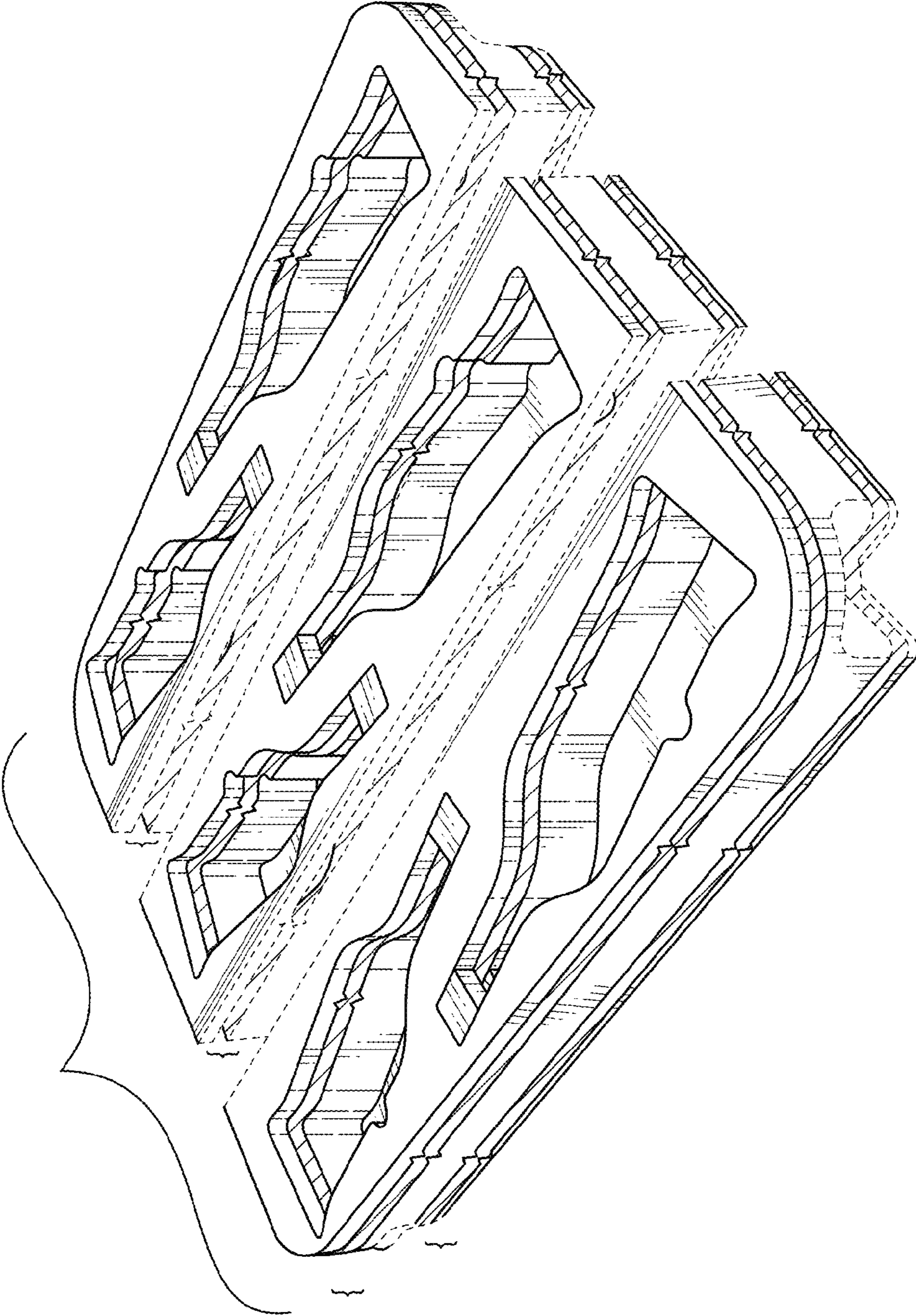


FIG. 1



FIG. 2

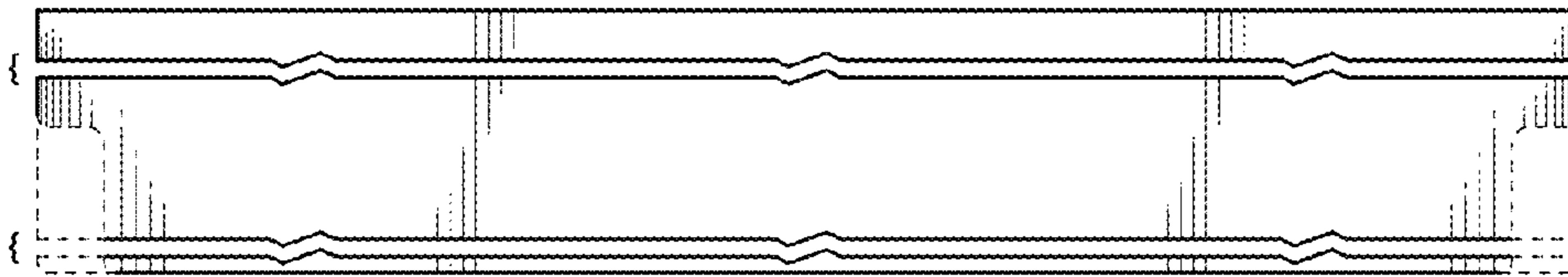


FIG. 3

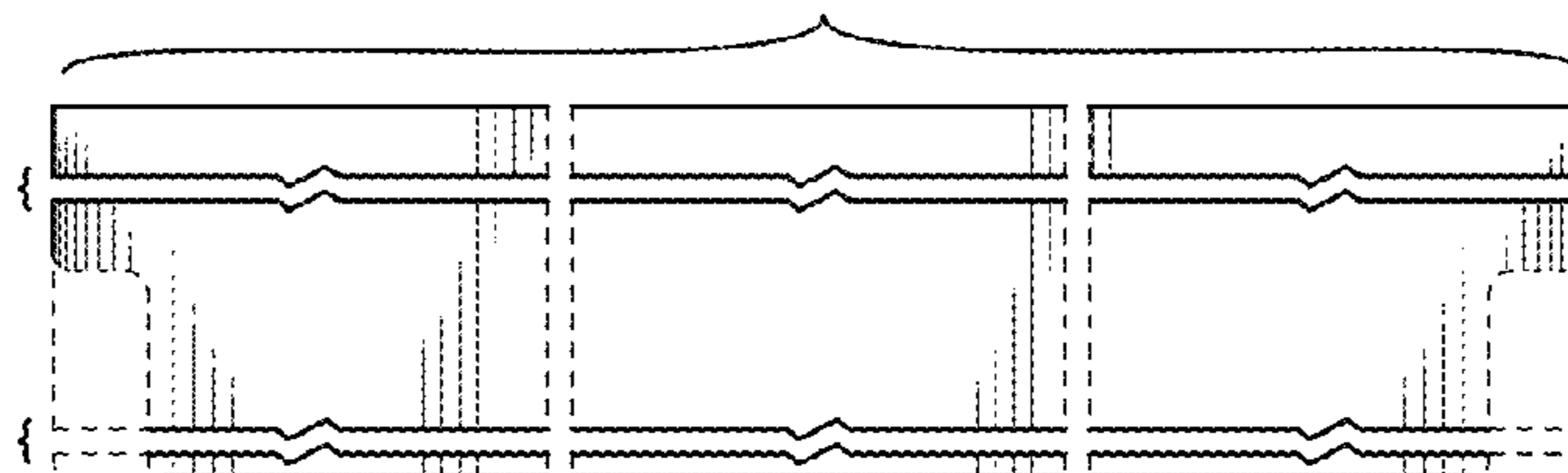


FIG. 4

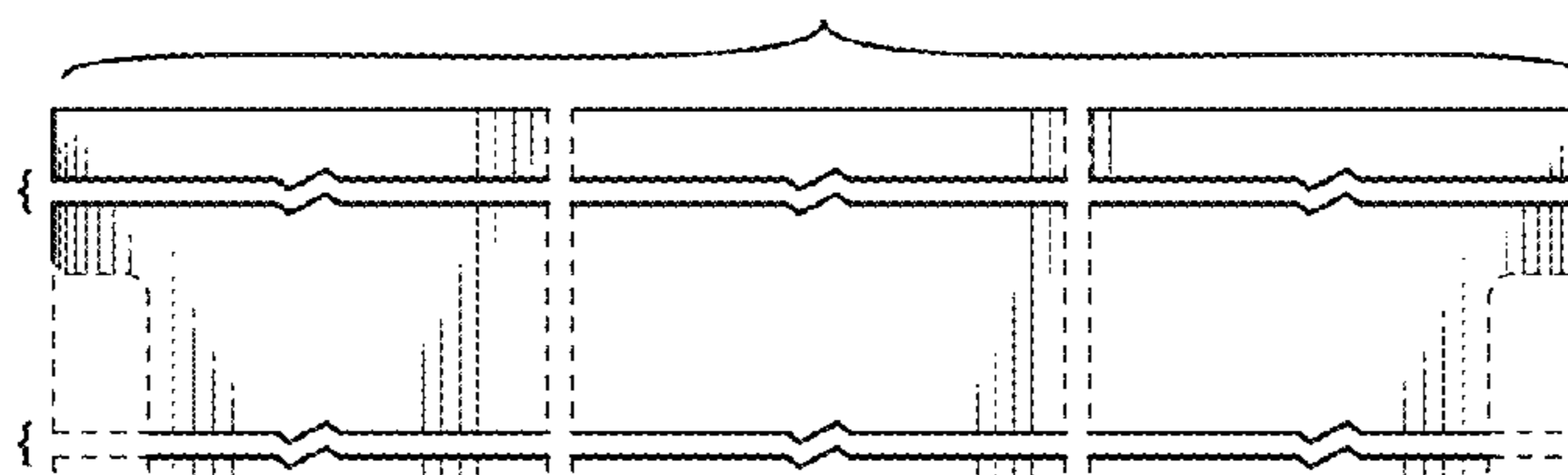


FIG. 5

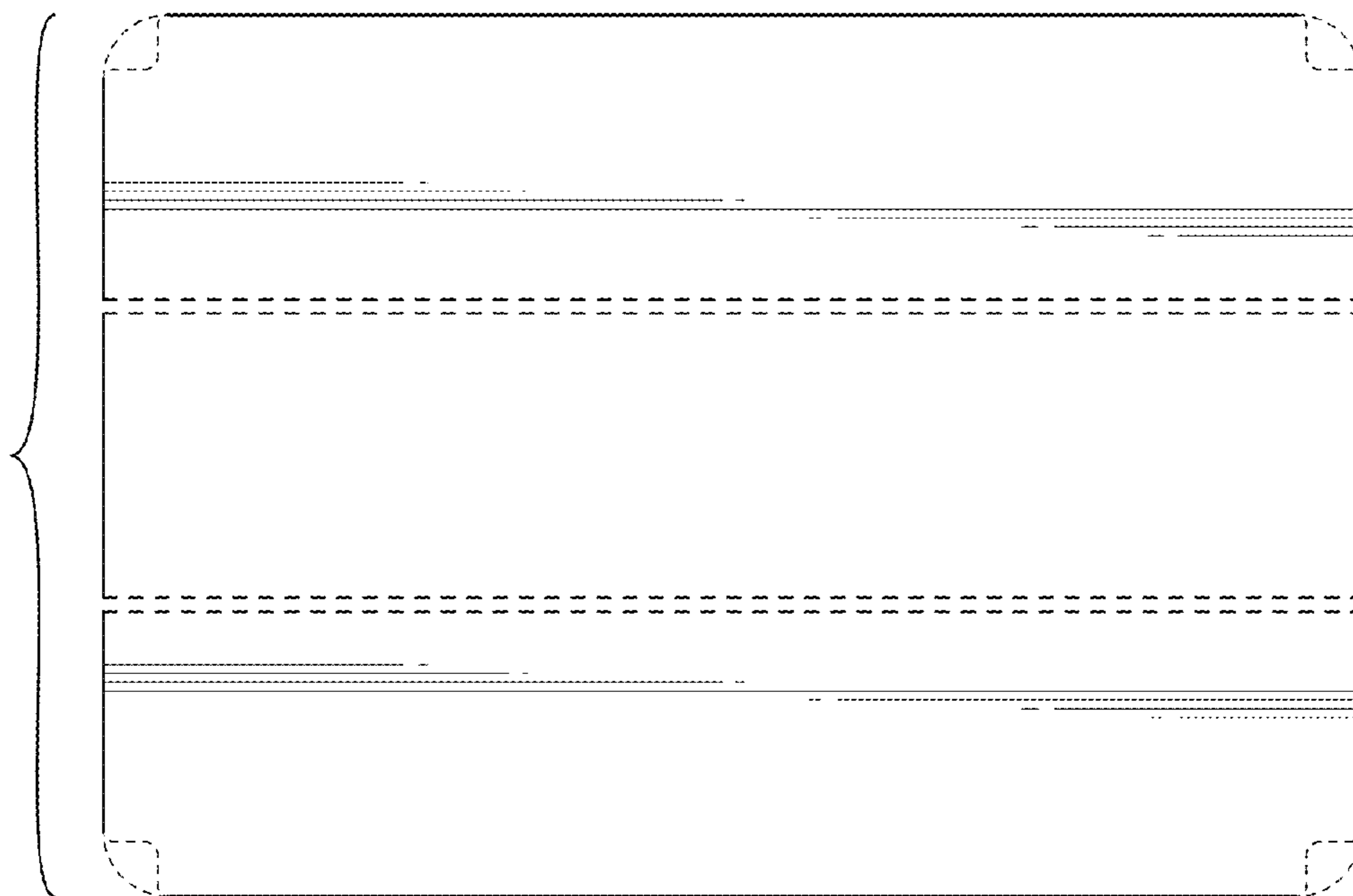


FIG. 7

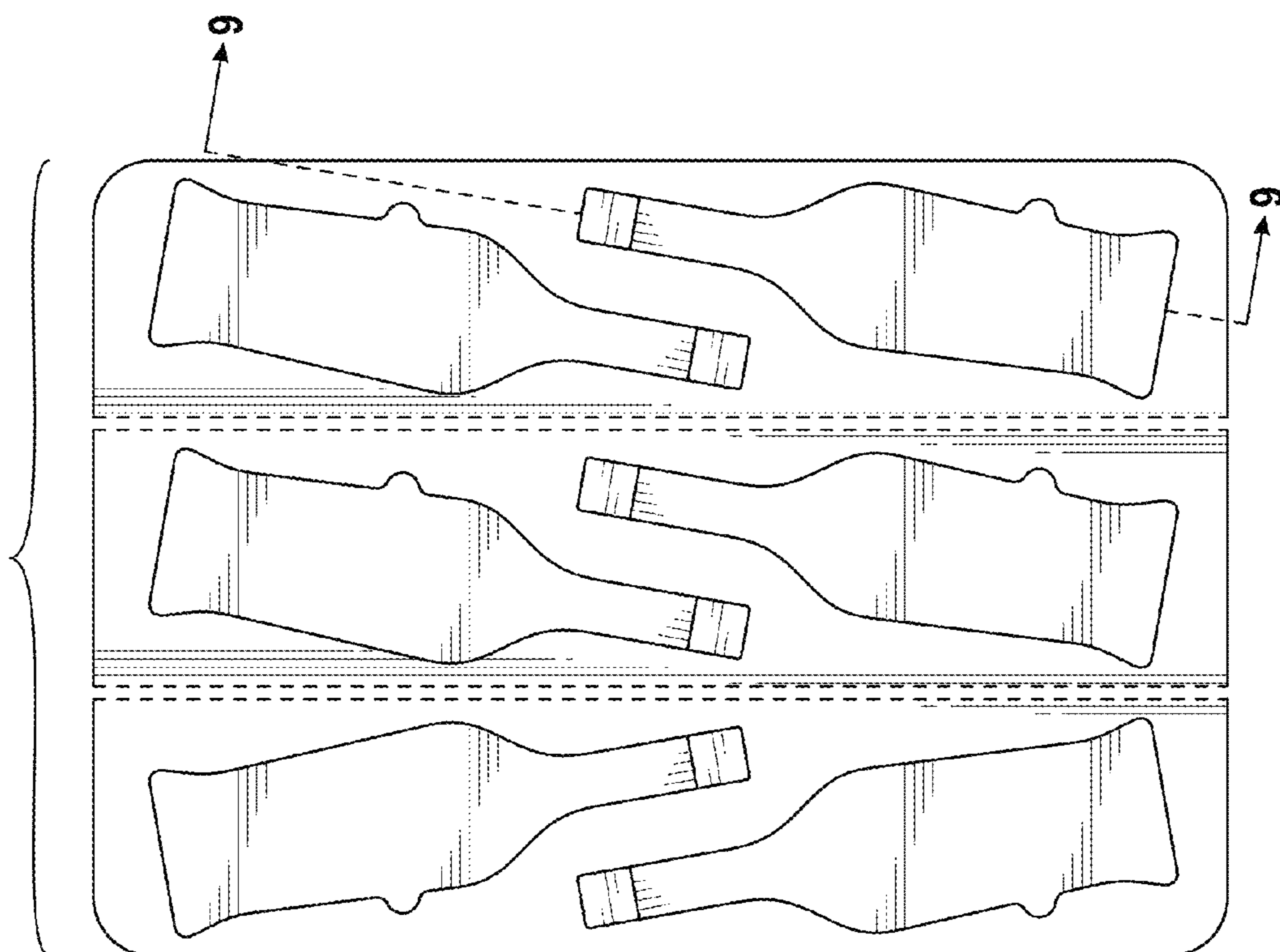


FIG. 6

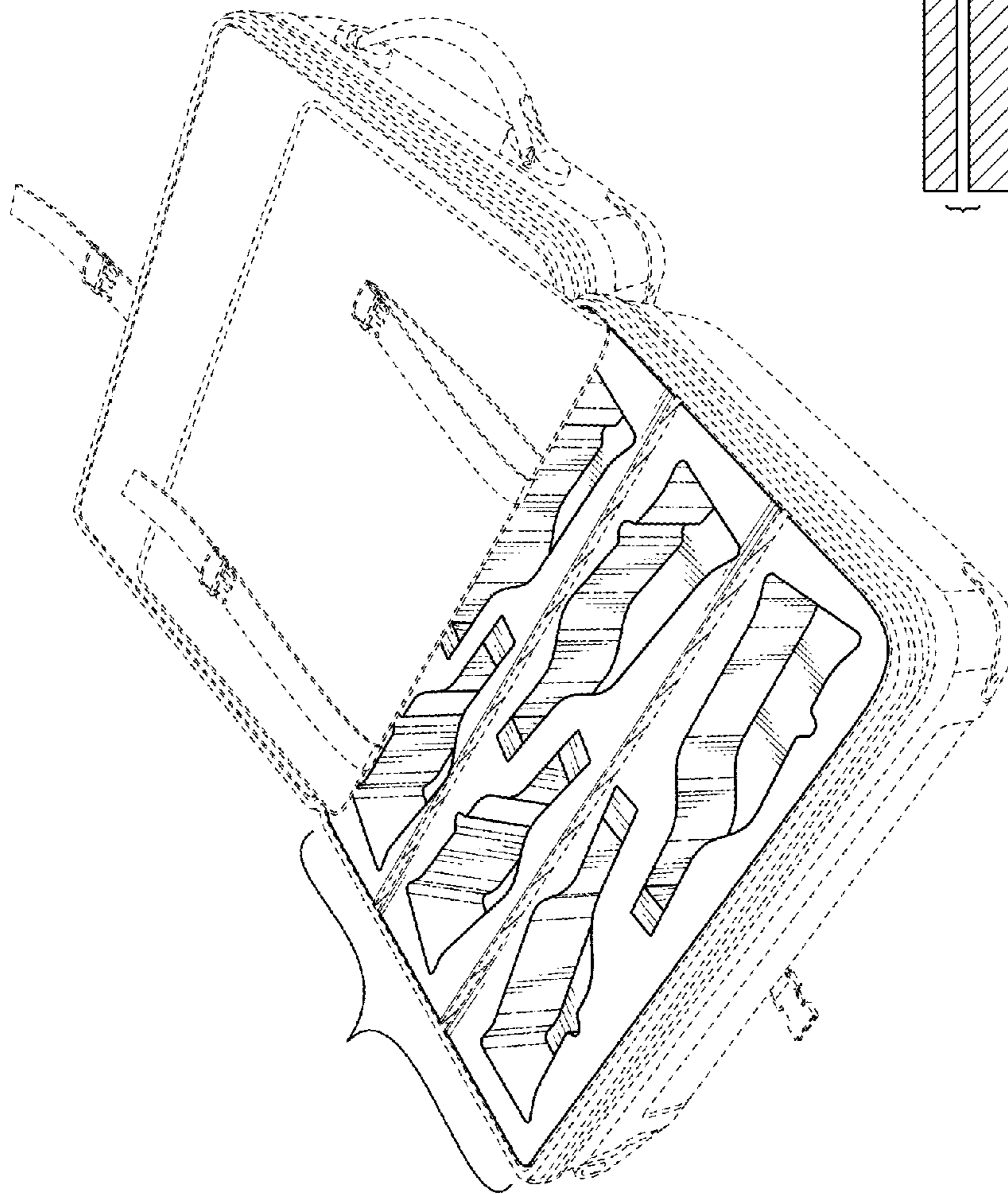


FIG. 8

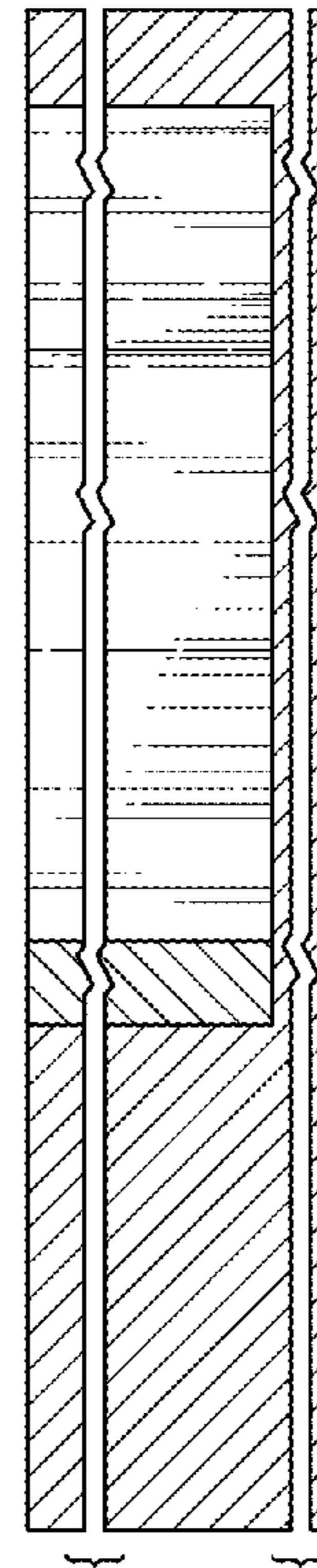


FIG. 9