



US00D746057S

(12) **United States Design Patent**
Finell et al.

(10) **Patent No.:** **US D746,057 S**

(45) **Date of Patent:** **** Dec. 29, 2015**

(54) **HANDBAG**

D629,604 S * 12/2010 Hermann D3/232
D665,575 S * 8/2012 Bouskill D3/232
D723,273 S * 3/2015 Burritt D3/245

(71) Applicant: **Finell Co.**, Austin, TX (US)

* cited by examiner

(72) Inventors: **Rebecca Finell**, Austin, TX (US);
Maddy Busch, Austin, TX (US)

Primary Examiner — Holly Baynham

(73) Assignee: **Finell Co.**, Austin, TX (US)

(74) *Attorney, Agent, or Firm* — Taylor Russell & Russell,
P.C.

(**) Term: **14 Years**

(57) **CLAIM**

(21) Appl. No.: **29/490,314**

The ornamental design for a handbag, as shown and described.

(22) Filed: **May 8, 2014**

DESCRIPTION

(51) **LOC (10) Cl.** **03-01**

(52) **U.S. Cl.**

USPC **D3/245**

(58) **Field of Classification Search**

USPC D3/232, 240–243, 245–246

CPC A45C 1/024; A45C 3/06

See application file for complete search history.

(56) **References Cited**

U.S. PATENT DOCUMENTS

D55,852 S * 7/1920 Fisher D3/243
D67,549 S * 6/1925 Rohr D3/212
D96,725 S * 9/1935 Courtine D3/243
D106,261 S * 9/1937 Schoenfeld D3/243
D107,720 S * 12/1937 Felmann D3/240
D107,893 S * 1/1938 Felmann D3/240
D126,000 S * 3/1941 Kaplan D3/245
D530,508 S * 10/2006 Delafontaine D3/233
D559,538 S * 1/2008 Dew D3/232
D581,158 S * 11/2008 Hermann D3/232

FIG. 1 is a front perspective view of the handbag showing our new design in an open position;

FIG. 2 is a front elevation view, the rear elevation view being identical thereof;

FIG. 3 is a left side elevation view, the right side elevation view being identical thereof;

FIG. 4 is a top plan view thereof;

FIG. 5 is a front perspective view of the handbag thereof showing the handbag in a closed position;

FIG. 6 is a left side elevation view of the handbag in a closed position, the right side elevation view being identical thereof

FIG. 7 is a top plan view of the handbag thereof in a closed position; and,

FIG. 8 is a bottom plan view of the handbag in a closed position, the bottom plan view of the handbag in an open position being identical thereof.

The broken lines representing stitching are part of the claimed design.

1 Claim, 8 Drawing Sheets

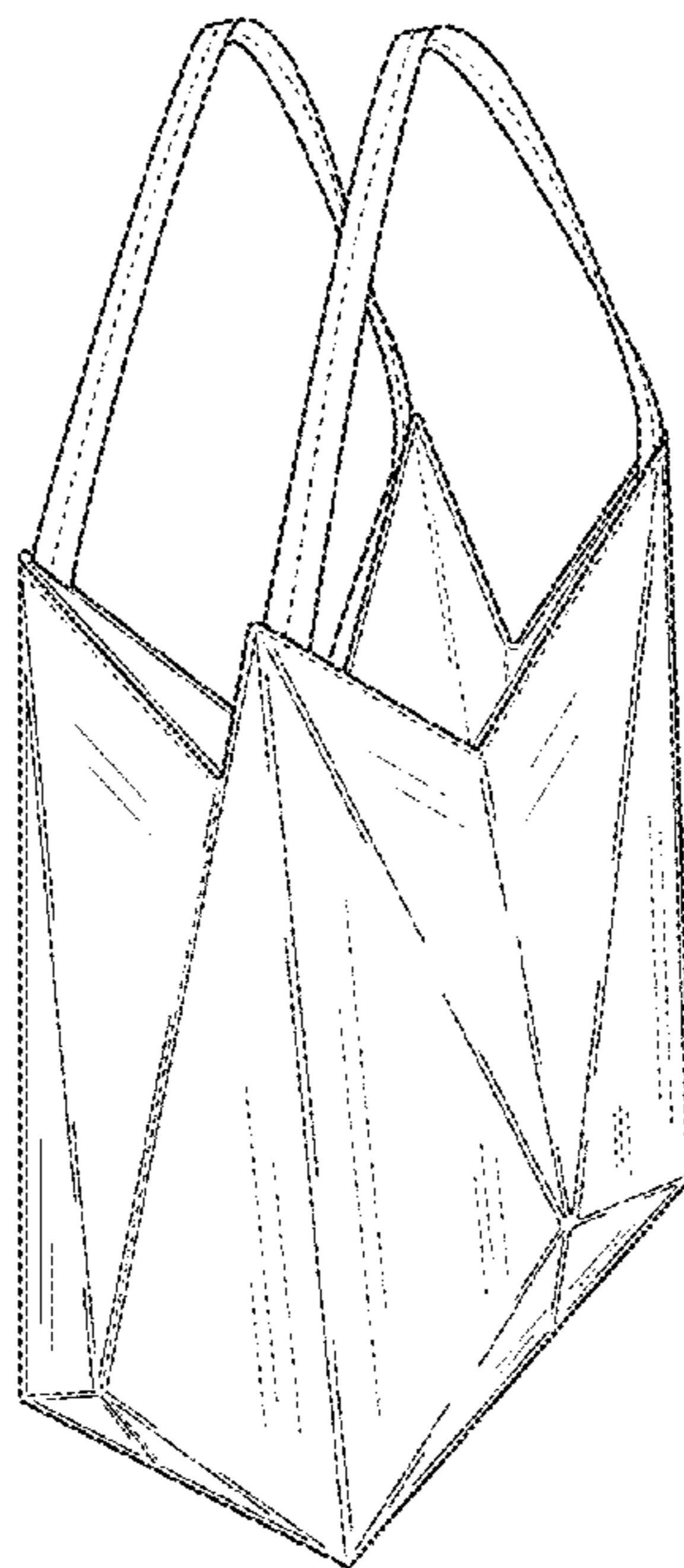


Figure 1

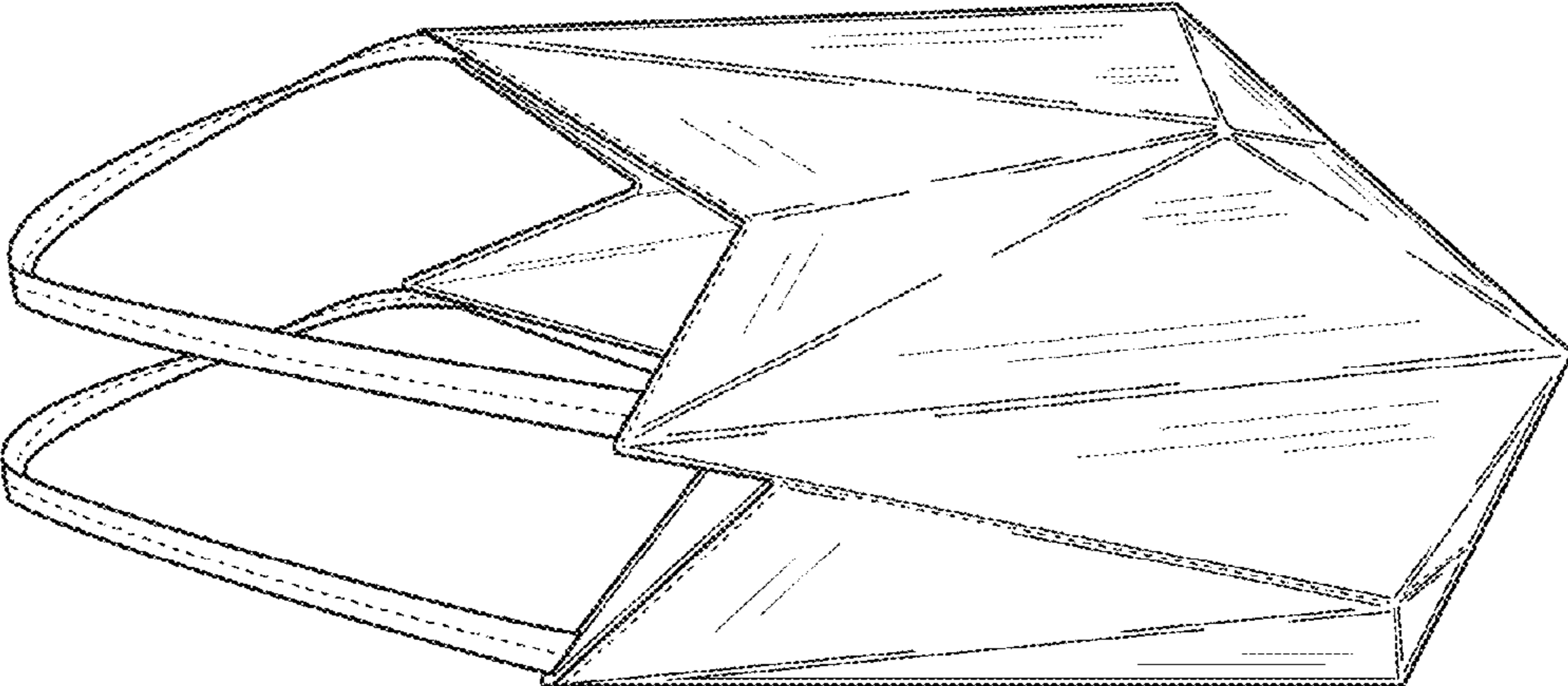


Figure 2

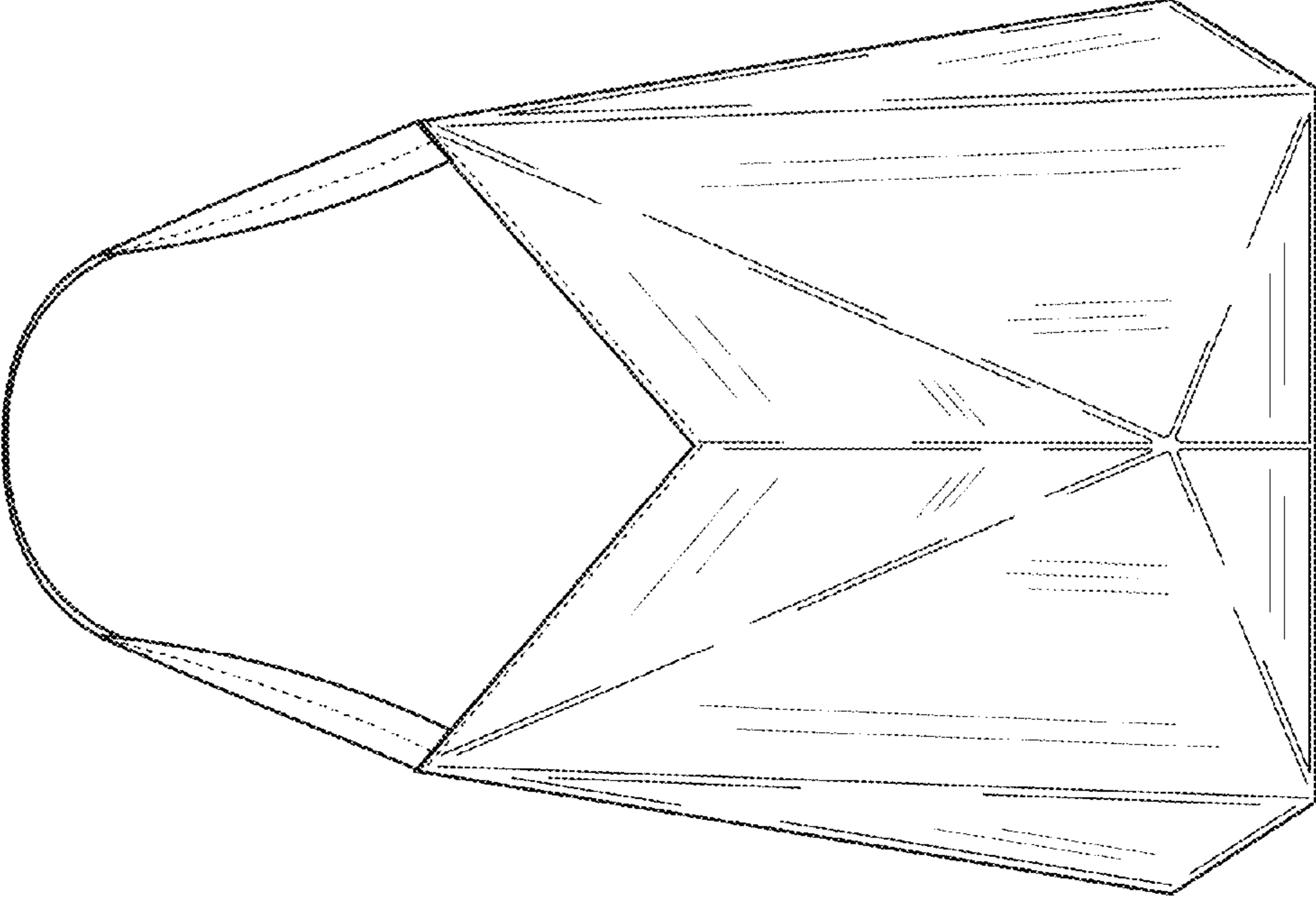


Figure 3

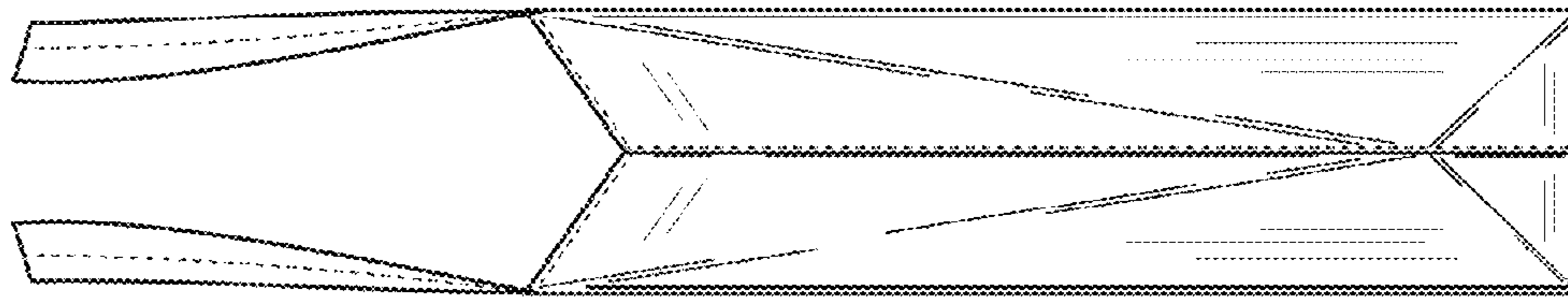


Figure 4

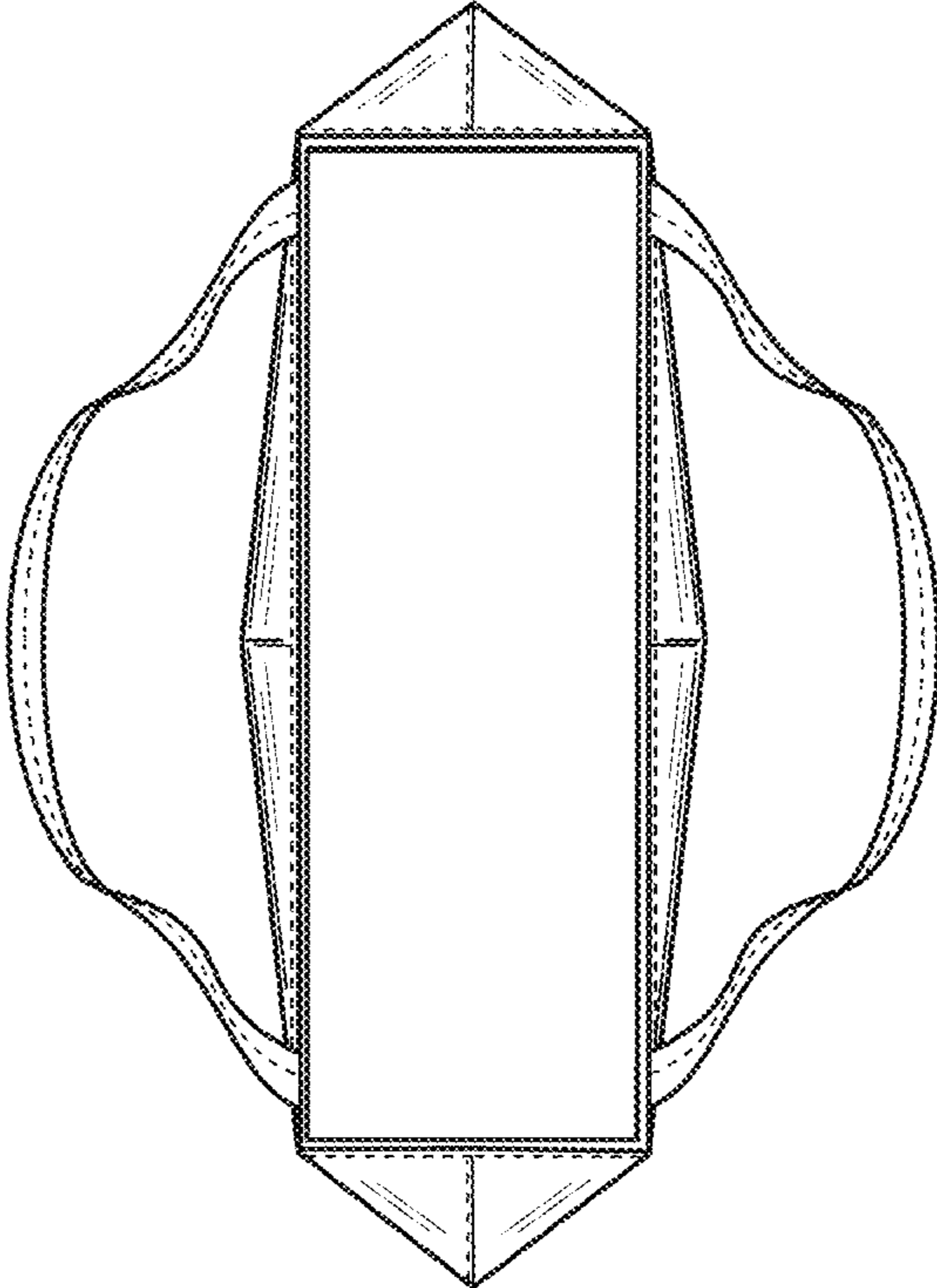


Figure 5

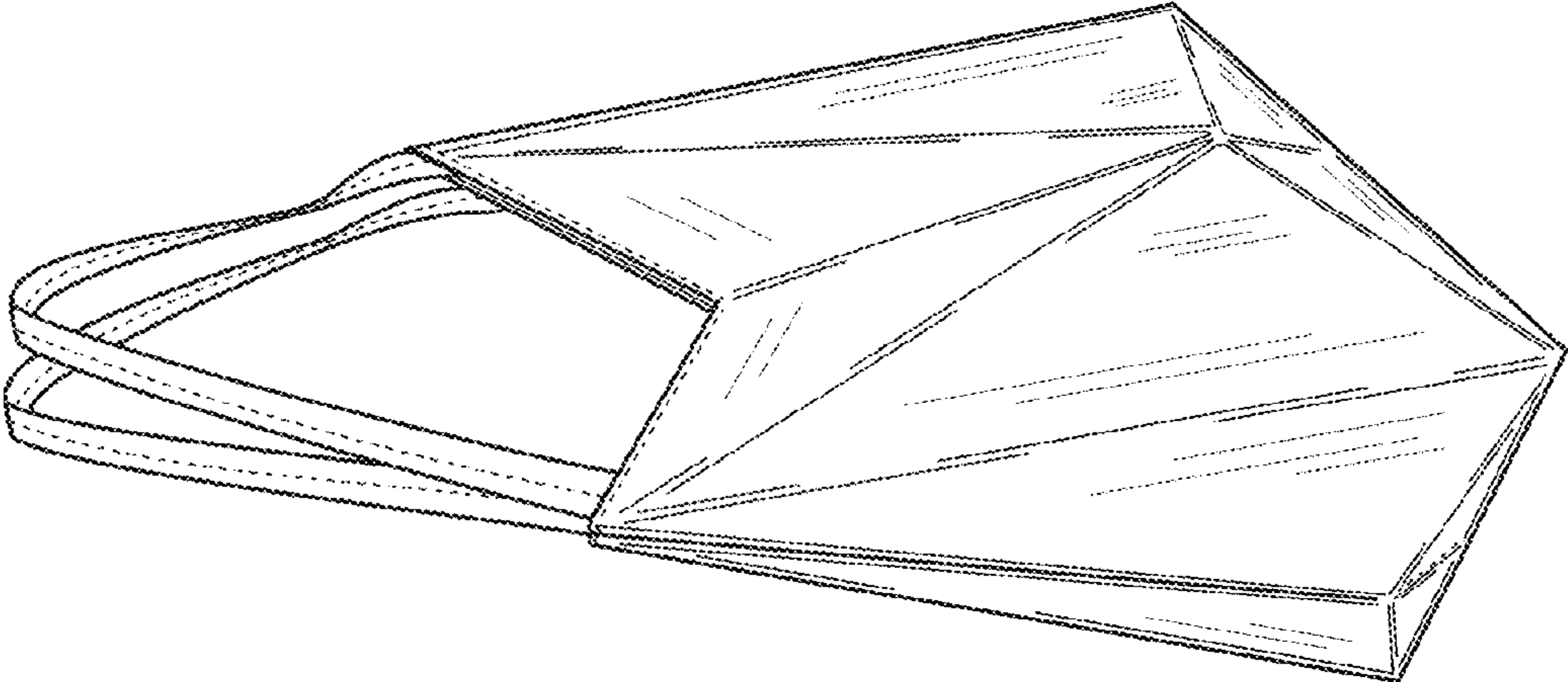


Figure 6

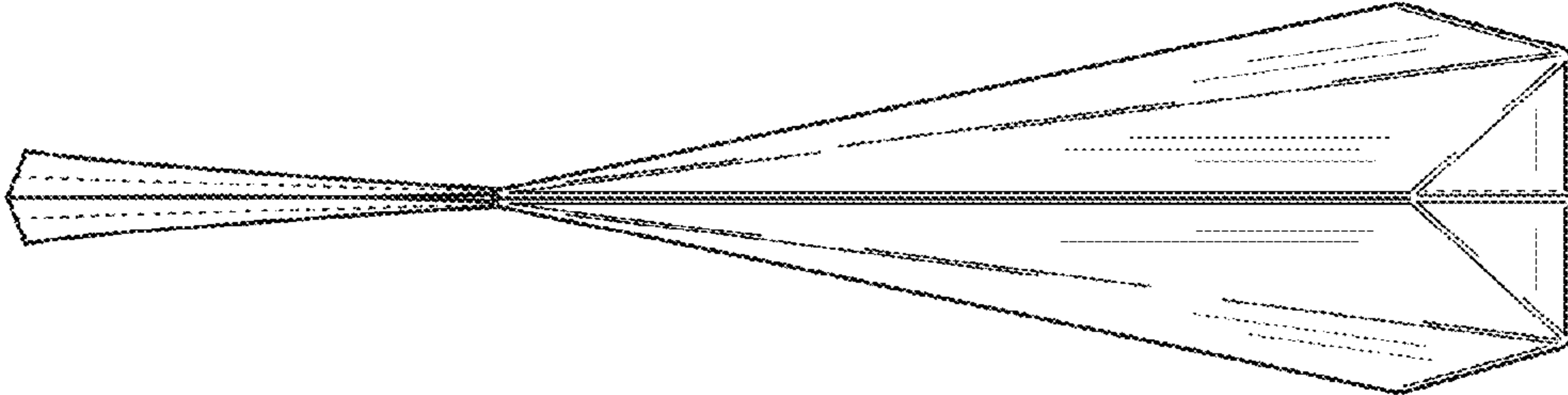


Figure 7

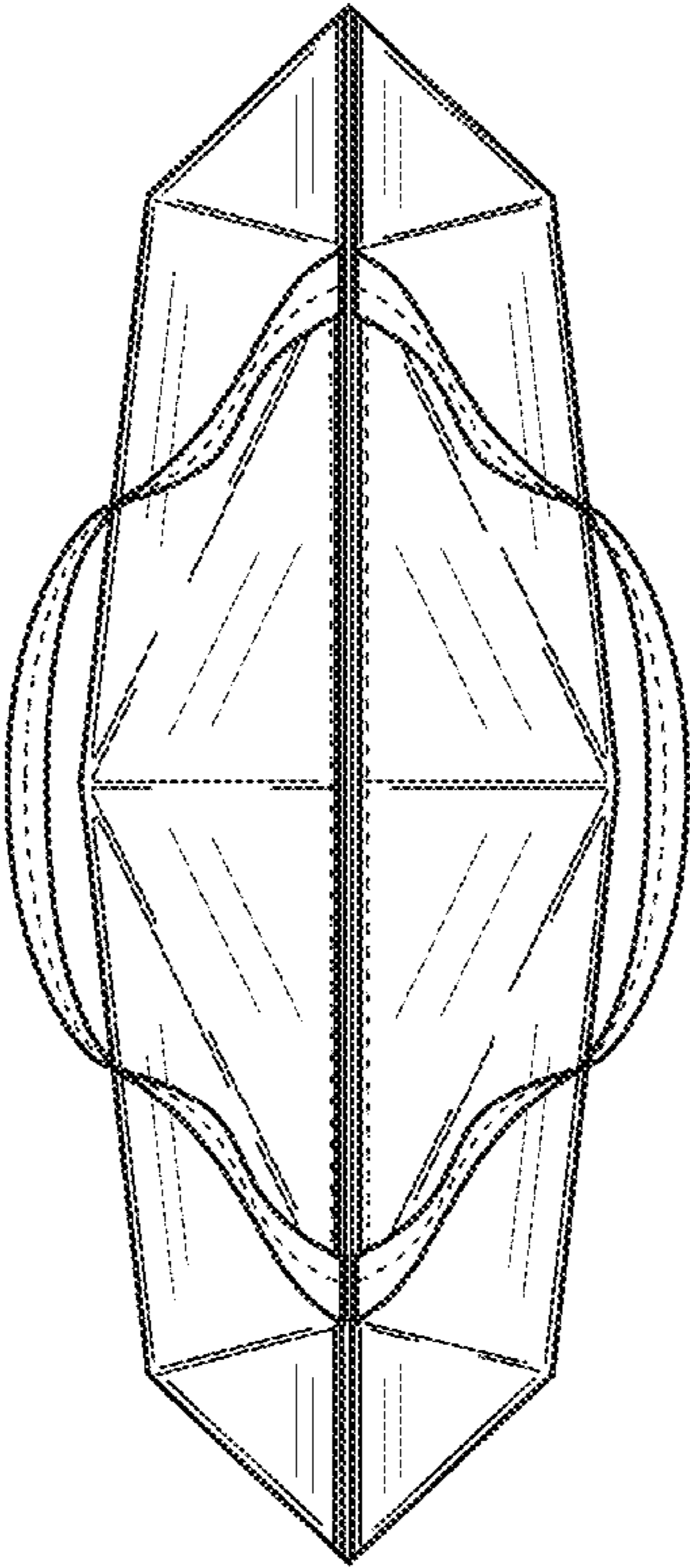


Figure 8

