



US00D746056S

(12) **United States Design Patent**
Finell et al.

(10) **Patent No.:** **US D746,056 S**
(45) **Date of Patent:** **** Dec. 29, 2015**

- (54) **HANDBAG**
- (71) Applicant: **Finell Co.**, Austin, TX (US)
- (72) Inventors: **Rebecca Finell**, Austin, TX (US);
Maddy Busch, Austin, TX (US)
- (73) Assignee: **Finell Co.**, Austin, TX (US)
- (**) Term: **14 Years**
- (21) Appl. No.: **29/490,308**
- (22) Filed: **May 8, 2014**
- (51) **LOC (10) Cl.** **03-01**
- (52) **U.S. Cl.**
USPC **D3/245**
- (58) **Field of Classification Search**
USPC D3/232, 240–243, 245–246
CPC A45C 1/024; A45C 3/06
See application file for complete search history.

| | | | | |
|--------------|---------|--------------|-------|--------|
| D107,893 S * | 1/1938 | Felmann | | D3/240 |
| D126,000 S * | 3/1941 | Kaplan | | D3/245 |
| D530,508 S * | 10/2006 | Delafontaine | | D3/233 |
| D559,538 S * | 1/2008 | Dew | | D3/232 |
| D581,158 S * | 11/2008 | Hermann | | D3/232 |
| D629,604 S * | 12/2010 | Hermann | | D3/232 |
| D665,575 S * | 8/2012 | Bouskill | | D3/232 |
| D723,273 S * | 3/2015 | Burritt | | D3/245 |

* cited by examiner

Primary Examiner — Holly Baynham

(74) *Attorney, Agent, or Firm* — Taylor Russell & Russell, P.C.

(57) **CLAIM**

The ornamental design for a handbag, as shown and described.

DESCRIPTION

FIG. 1 is a front perspective view of the handbag showing our new design;
 FIG. 2 is a front elevation view thereof;
 FIG. 3 is a rear elevation view thereof;
 FIG. 4 is a left side elevation view thereof;
 FIG. 5 is a right side elevation view thereof;
 FIG. 6 is a top plan view thereof; and,
 FIG. 7 is a bottom plan view thereof.

The broken lines representing stitching are part of the claimed design.

1 Claim, 7 Drawing Sheets

(56) **References Cited**

U.S. PATENT DOCUMENTS

| | | | | |
|--------------|---------|------------|-------|--------|
| D55,852 S * | 7/1920 | Fisher | | D3/243 |
| D67,549 S * | 6/1925 | Rohr | | D3/212 |
| D96,725 S * | 9/1935 | Courtine | | D3/243 |
| D106,261 S * | 9/1937 | Schoenfeld | | D3/243 |
| D107,720 S * | 12/1937 | Felmann | | D3/240 |

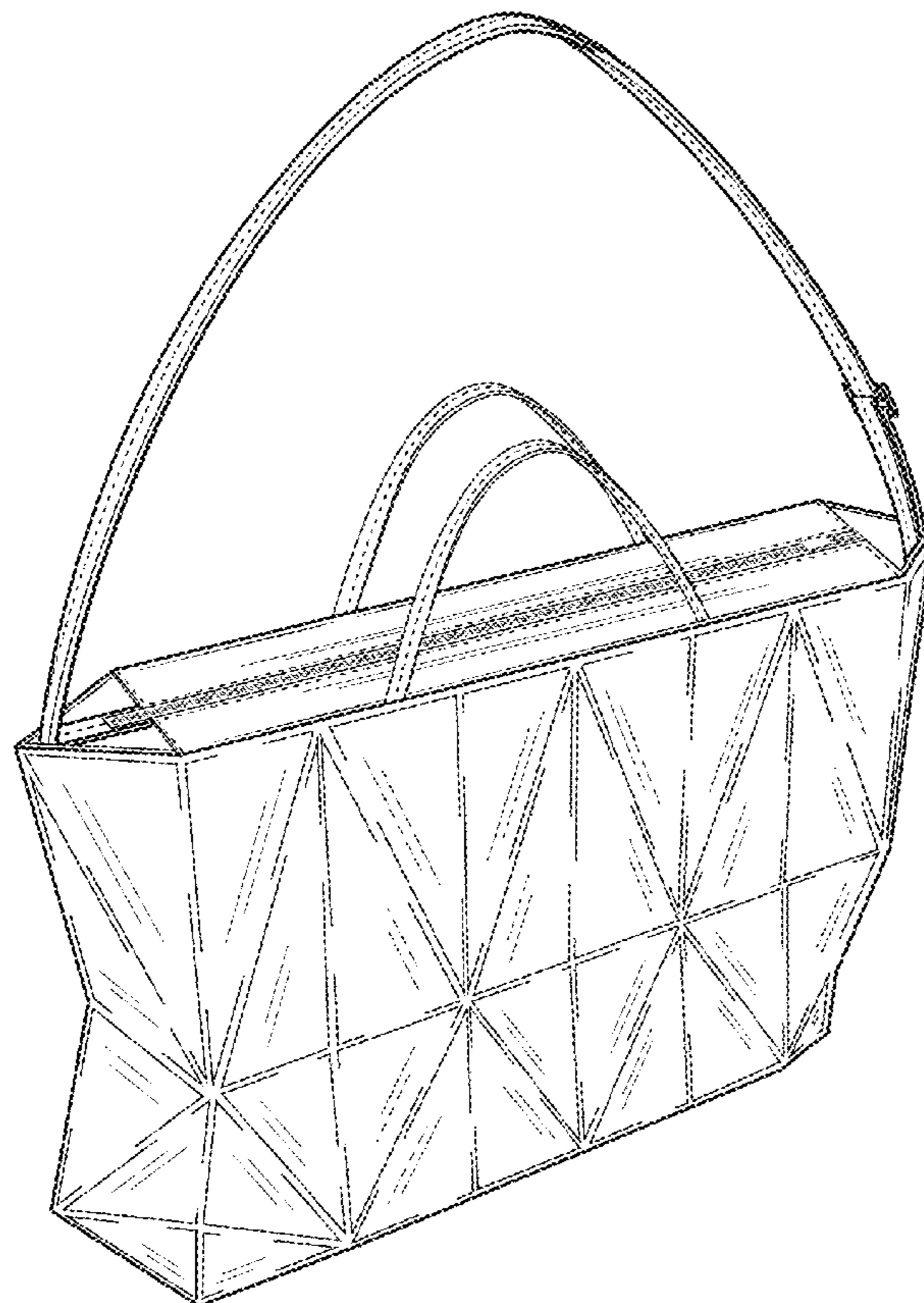


Figure 1

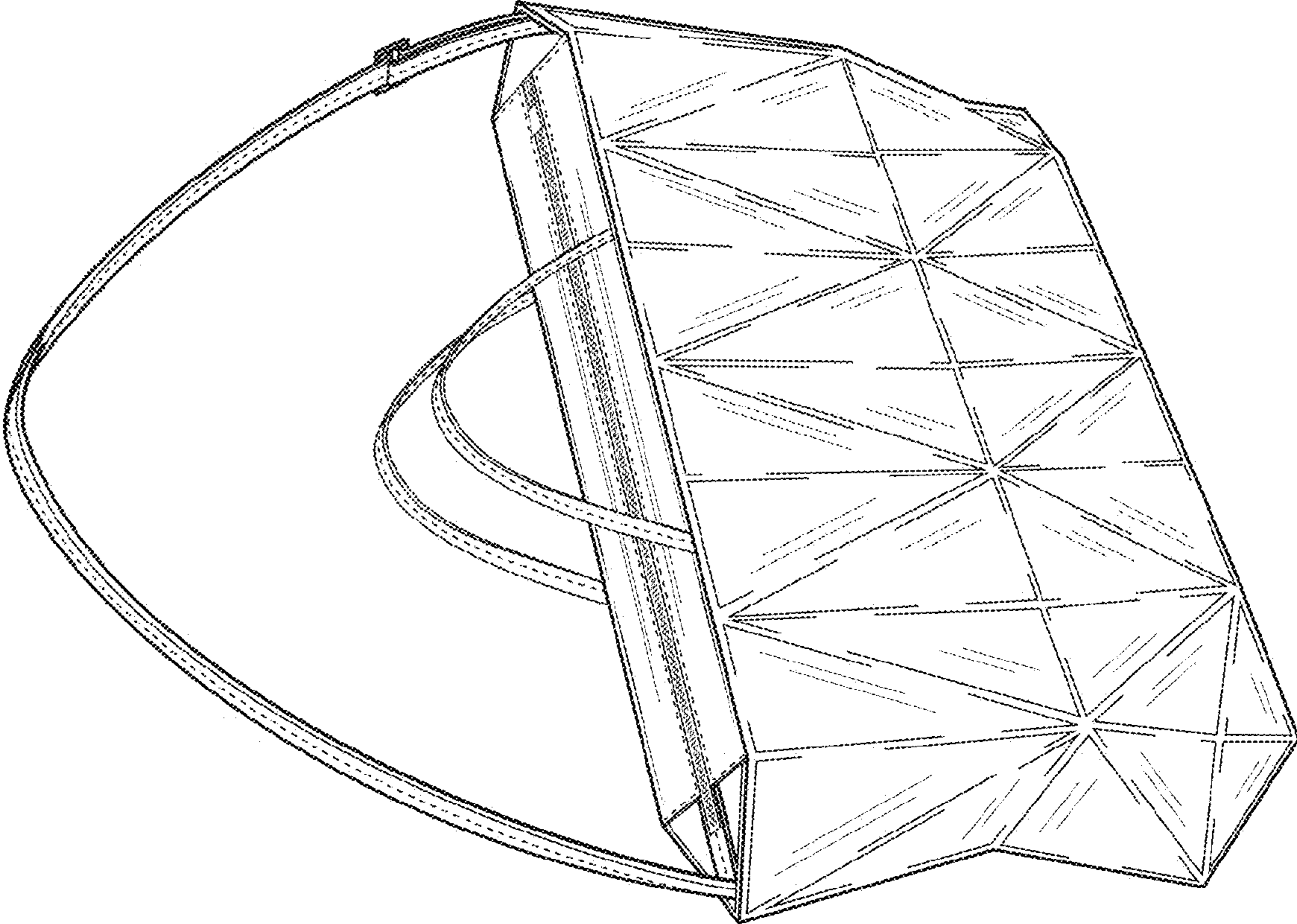


Figure 2

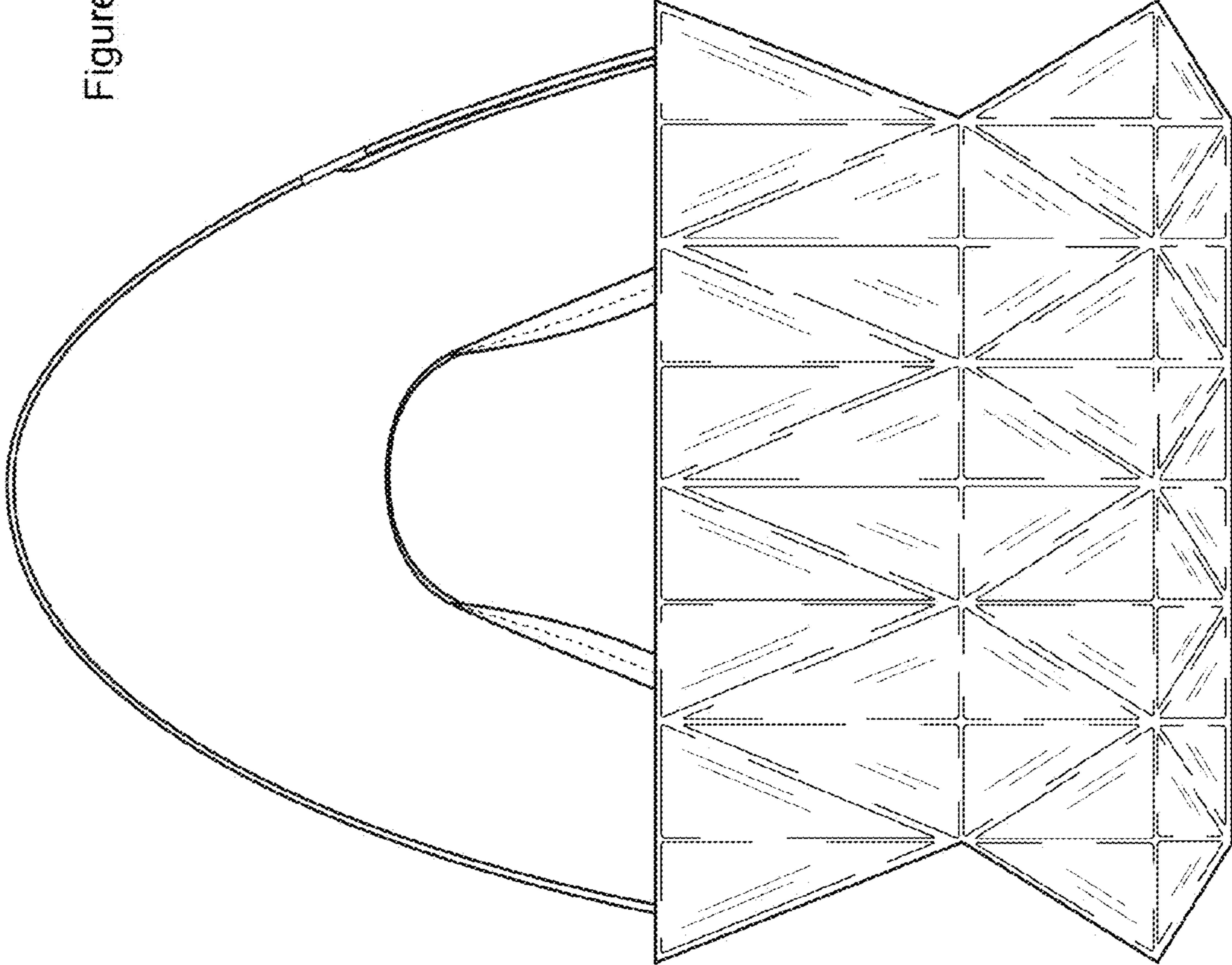


Figure 3

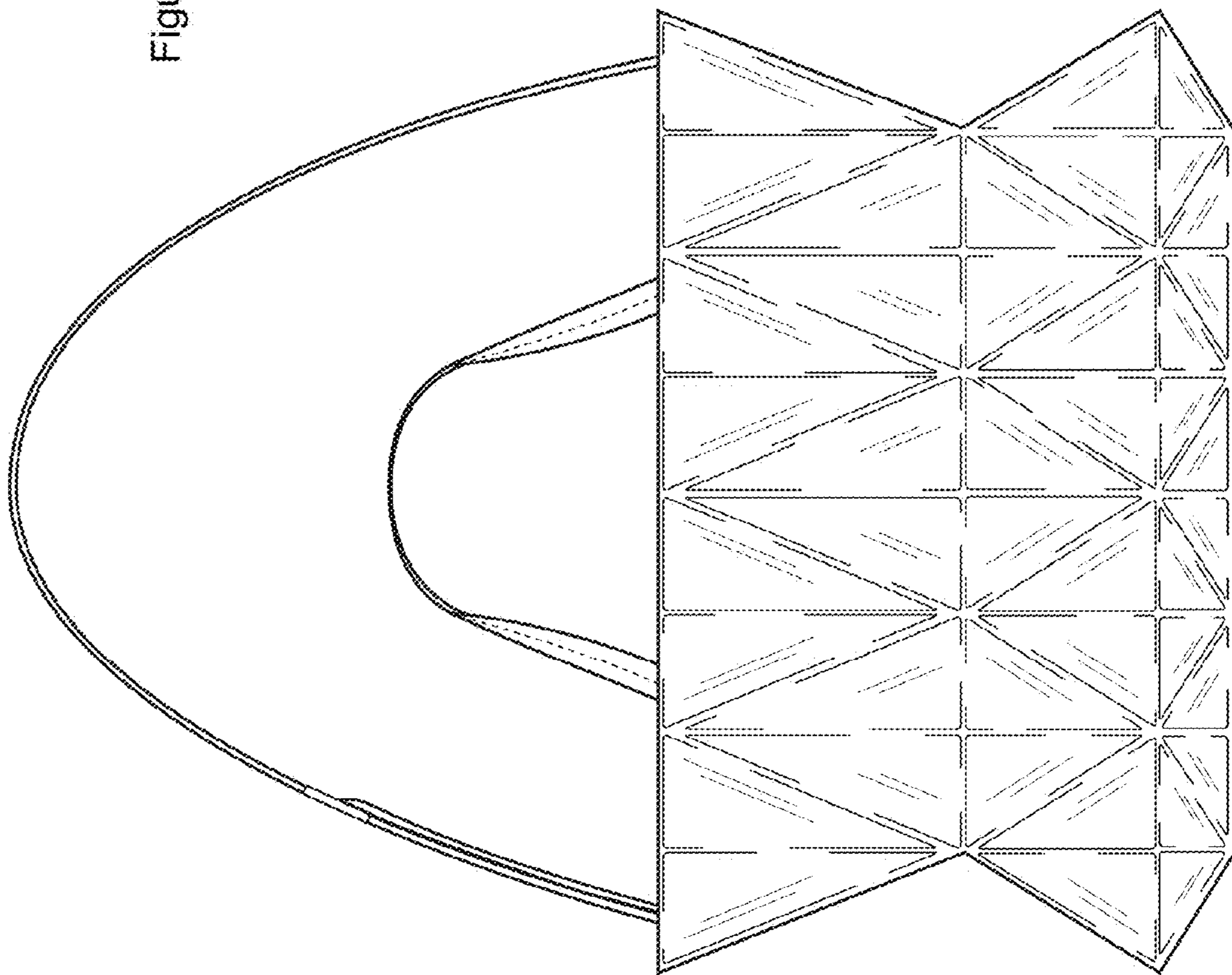


Figure 4

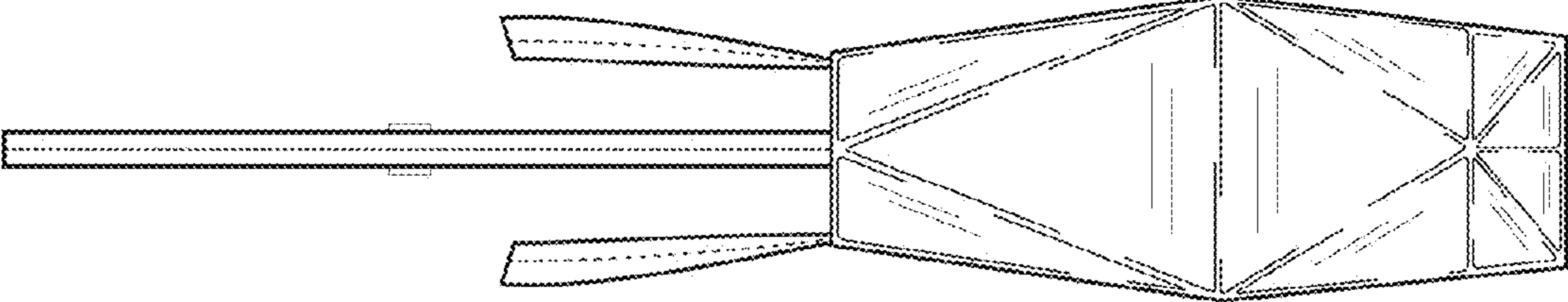


Figure 5

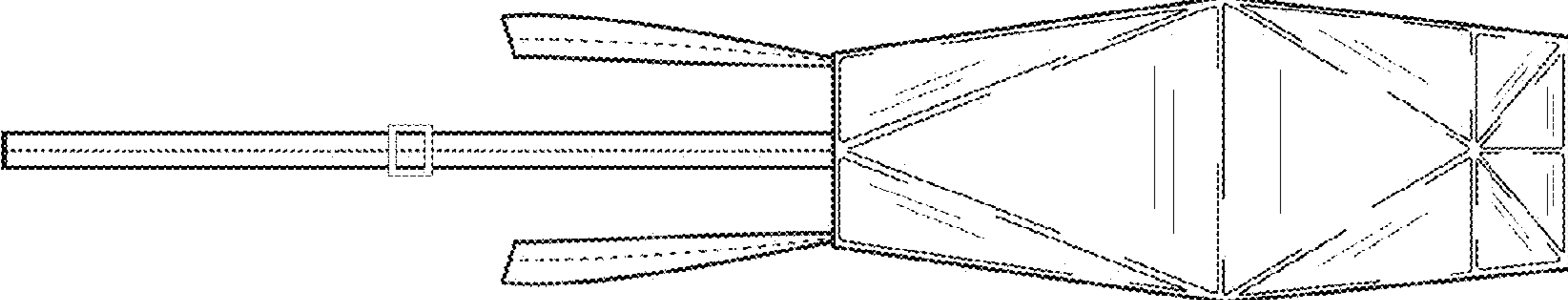


Figure 6

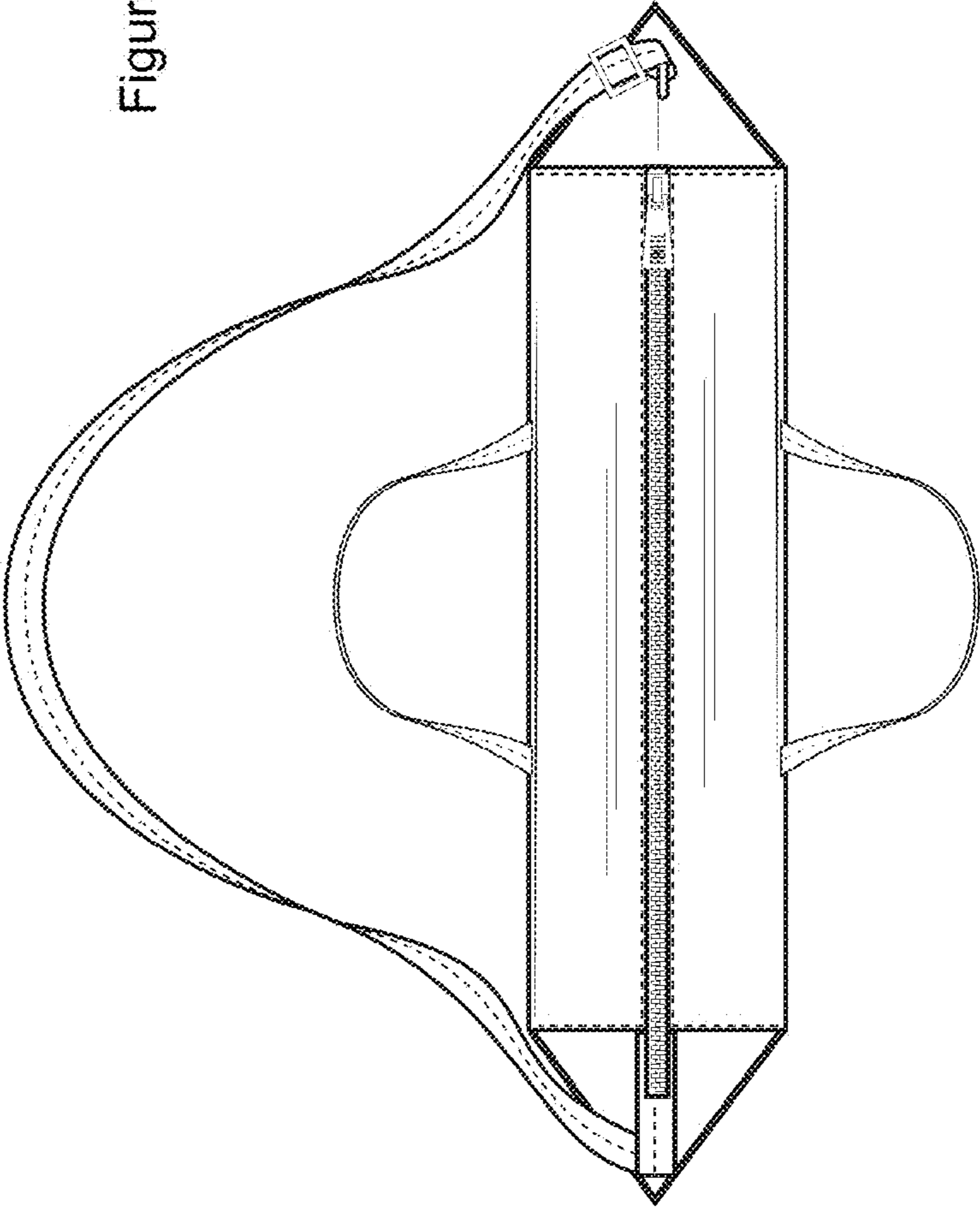


Figure 7

