



US00D746054S

(12) **United States Design Patent**  
**Finell et al.**

(10) **Patent No.:** **US D746,054 S**  
(45) **Date of Patent:** **\*\* Dec. 29, 2015**

- (54) **HANDBAG**
- (71) Applicant: **Finell Co.**, Austin, TX (US)
- (72) Inventors: **Rebecca Finell**, Austin, TX (US);  
**Maddy Busch**, Austin, TX (US)
- (73) Assignee: **Finell Co.**, Austin, TX (US)
- (\*\*) Term: **14 Years**
- (21) Appl. No.: **29/490,271**
- (22) Filed: **May 8, 2014**
- (51) **LOC (10) Cl.** ..... **03-01**
- (52) **U.S. Cl.**  
USPC ..... **D3/245**
- (58) **Field of Classification Search**  
USPC ..... D3/232, 240–243, 245–246  
CPC ..... A45C 1/024; A45C 3/06  
See application file for complete search history.

D107,893 S *	1/1938	Felmann	.....	D3/240
D126,000 S *	3/1941	Kaplan	.....	D3/245
D530,508 S *	10/2006	Delafontaine	.....	D3/233
D559,538 S *	1/2008	Dew	.....	D3/232
D581,158 S *	11/2008	Hermann	.....	D3/232
D629,604 S *	12/2010	Hermann	.....	D3/232
D665,575 S *	8/2012	Bouskill	.....	D3/232
D723,273 S *	3/2015	Burritt	.....	D3/245

\* cited by examiner

*Primary Examiner* — Holly Baynham

(74) *Attorney, Agent, or Firm* — Taylor Russell & Russell, P.C.

(57) **CLAIM**

The ornamental design for a handbag, as shown and described.

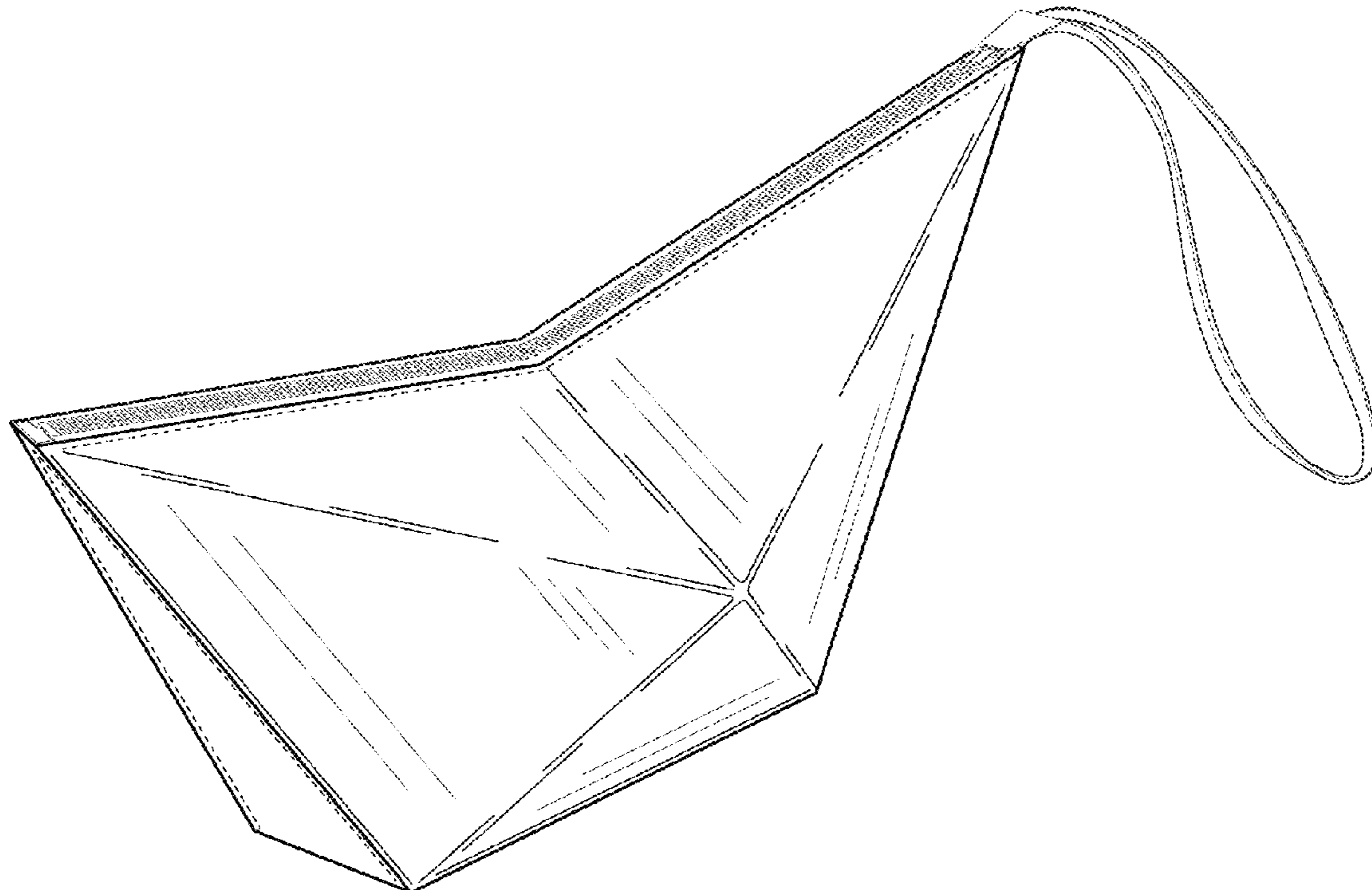
**DESCRIPTION**

FIG. 1 is a front perspective view of the handbag showing our new design;  
 FIG. 2 is a front elevation view thereof;  
 FIG. 3 is a rear elevation view thereof;  
 FIG. 4 is a left side elevation view thereof;  
 FIG. 5 is a right side elevation view thereof;  
 FIG. 6 is a top plan view thereof; and,  
 FIG. 7 is a bottom plan view thereof.

The broken lines representing stitching are part of the claimed design.

**1 Claim, 7 Drawing Sheets**

- (56) **References Cited**  
U.S. PATENT DOCUMENTS
- D55,852 S \* 7/1920 Fisher ..... D3/243
- D67,549 S \* 6/1925 Rohr ..... D3/212
- D96,725 S \* 9/1935 Courtine ..... D3/243
- D106,261 S \* 9/1937 Schoenfeld ..... D3/243
- D107,720 S \* 12/1937 Felmann ..... D3/240



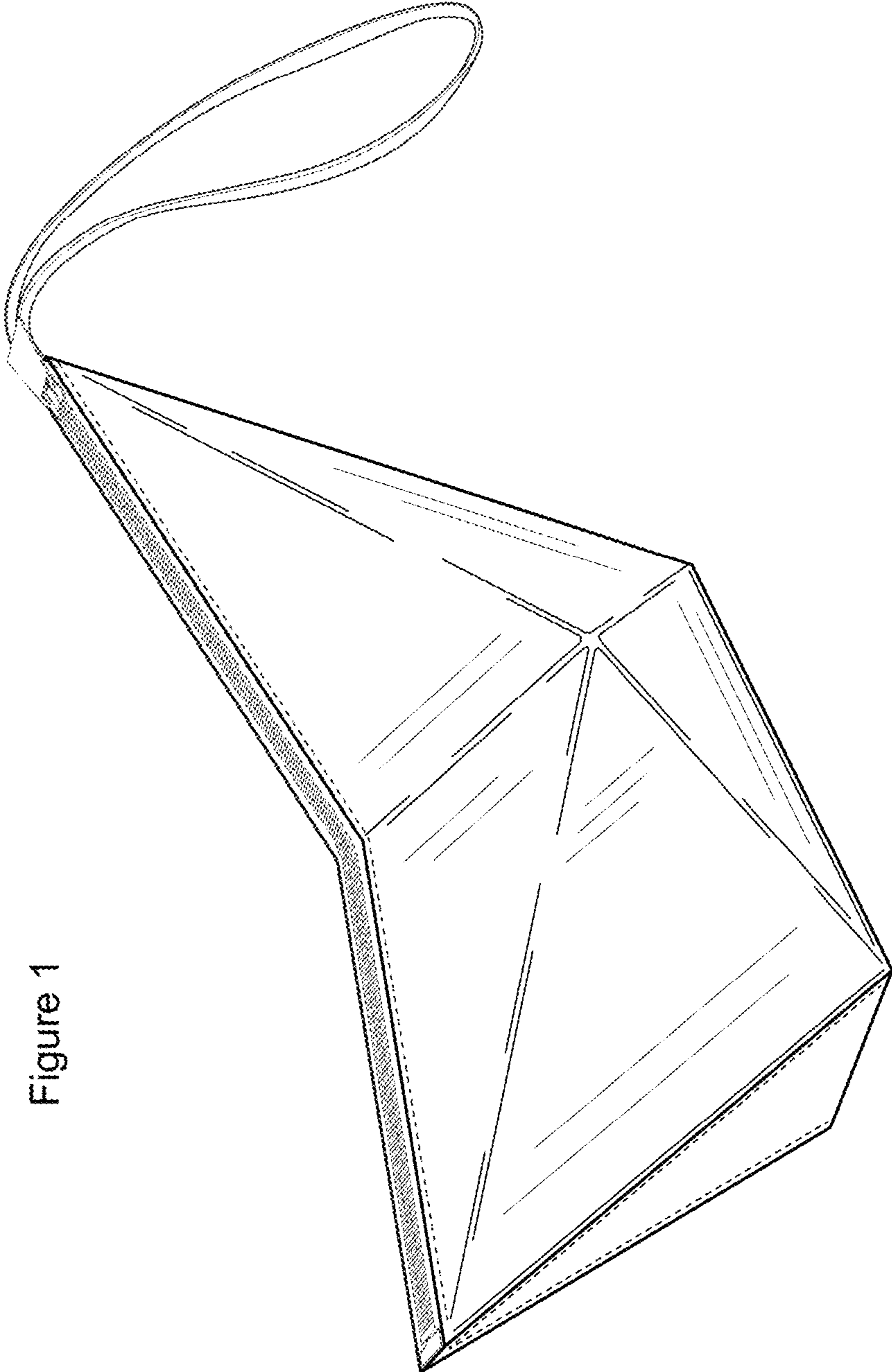


Figure 1

Figure 2

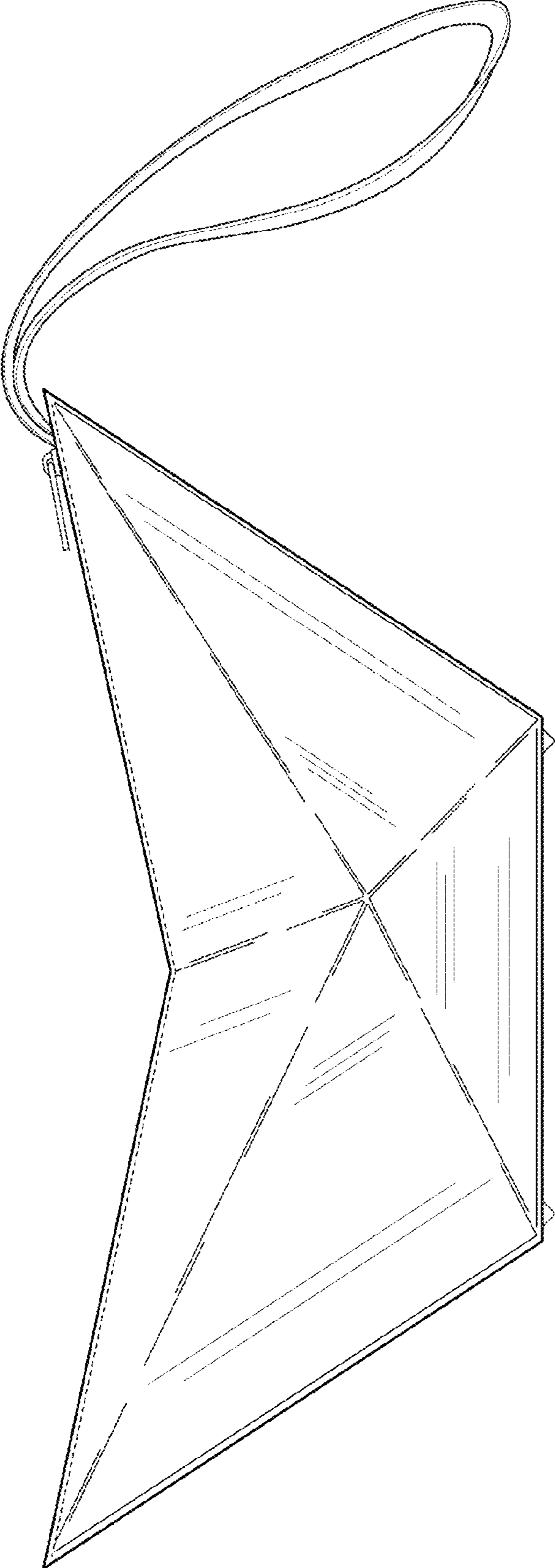


Figure 3

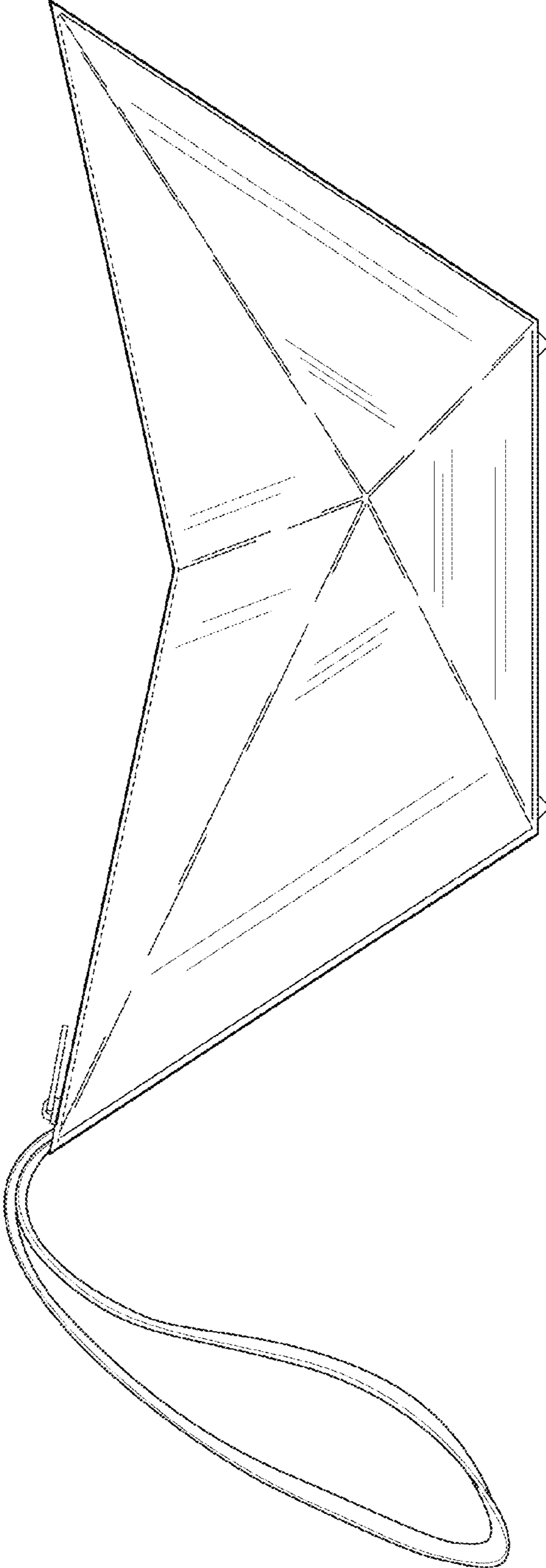


Figure 4

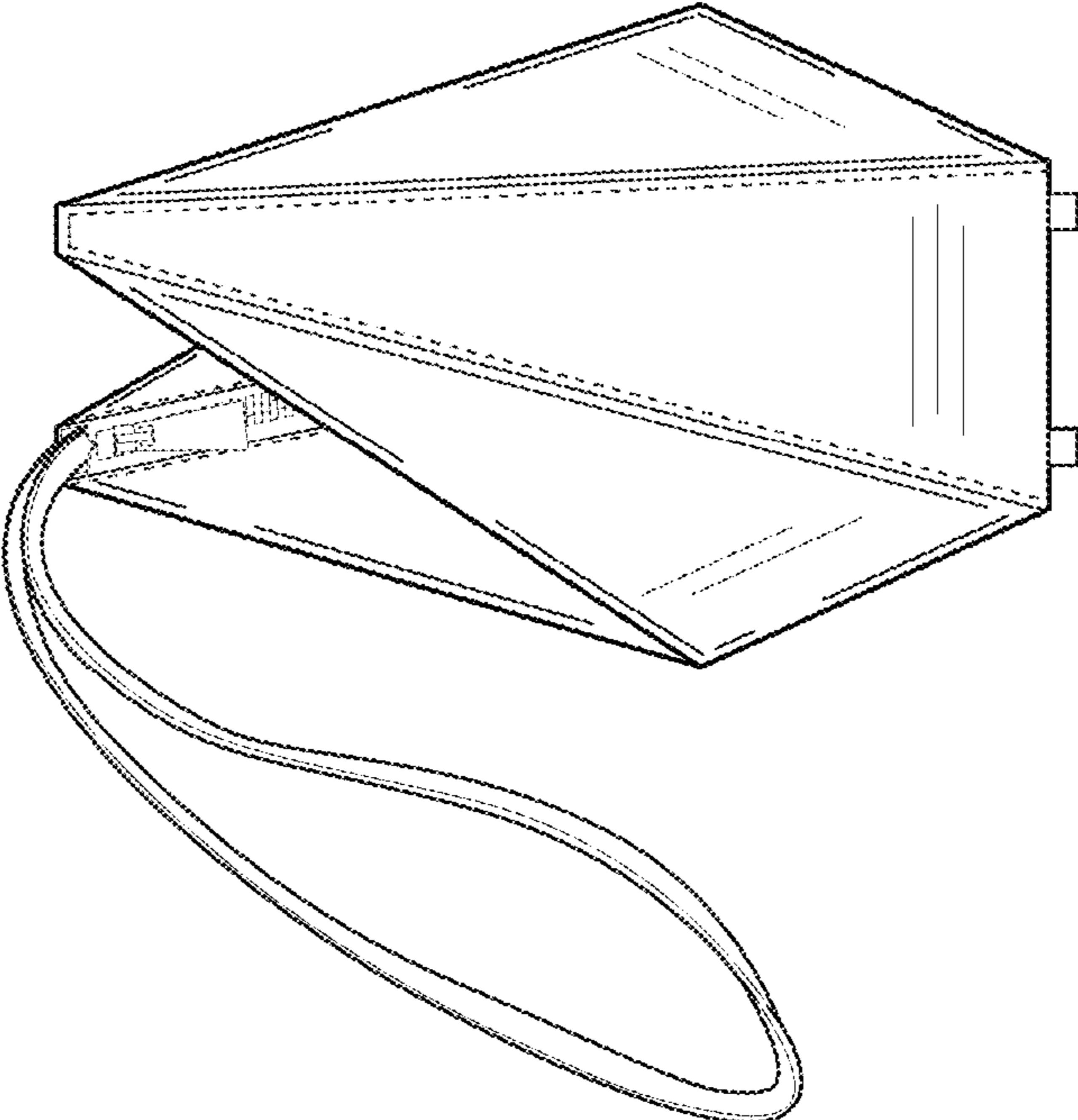




Figure 5

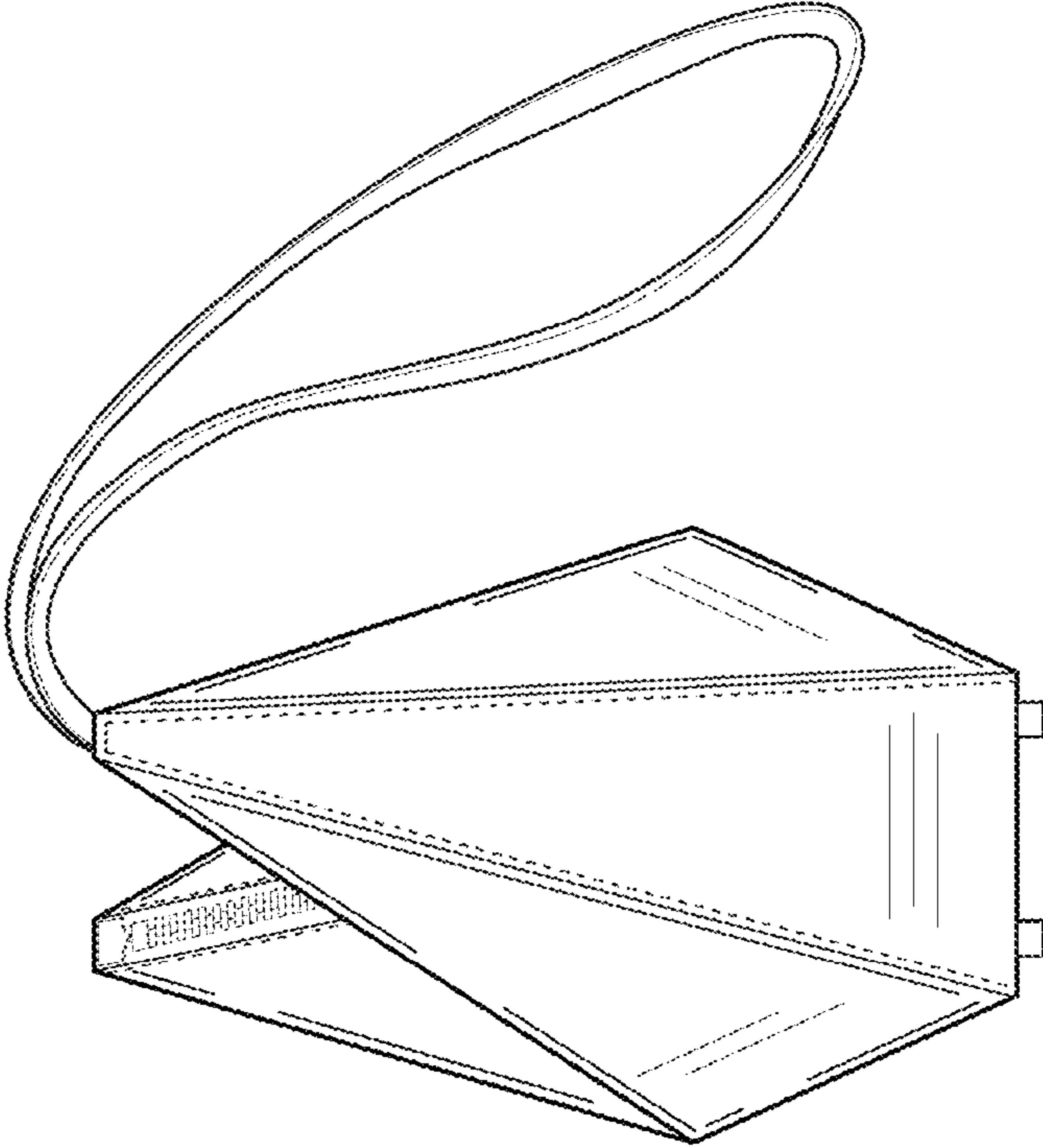


Figure 6

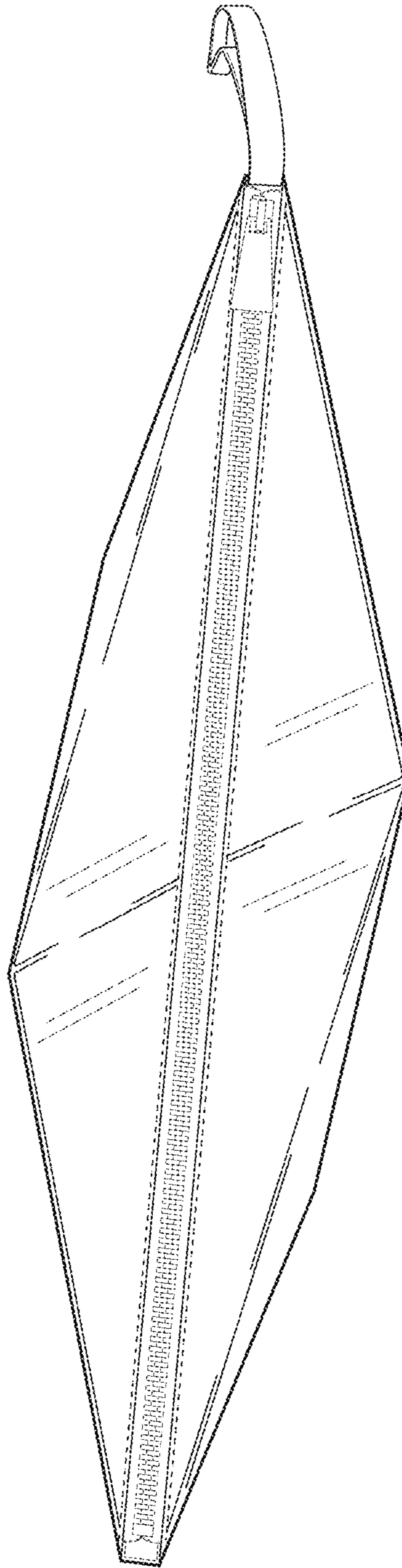


Figure 7

