



US00D746052S

(12) **United States Design Patent**
Buechner et al.

(10) **Patent No.:** **US D746,052 S**
(45) **Date of Patent:** **** Dec. 29, 2015**

(54) **BELT MOUNTED INTERCHANGEABLE BAG AND ADORNMENTS**

(71) Applicant: **Hipcity, LLC**, Madison, WI (US)

(72) Inventors: **Sharon L. Buechner**, Madison, WI (US); **Pamela Keene**, Waunakee, WI (US)

(73) Assignee: **HIPCITY, LLC**, Madison, WI (US)

(**) Term: **14 Years**

(21) Appl. No.: **29/490,183**

(22) Filed: **May 7, 2014**

(51) **LOC (10) Cl.** **03-01**

(52) **U.S. Cl.**
USPC **D3/226**

(58) **Field of Classification Search**
USPC D3/215, 221, 226, 228; 224/236-237, 224/240, 245, 338, 349, 675, 680, 904
See application file for complete search history.

(56) **References Cited**

U.S. PATENT DOCUMENTS

D266,200 S	9/1982	Berman	
D266,203 S	9/1982	Berman	
5,337,935 A	8/1994	Chambonnet	
5,441,185 A	8/1995	Dragos	
D362,540 S *	9/1995	McNamara et al.	D3/215
5,465,888 A	11/1995	Owens	
D393,941 S *	5/1998	Akutsu	D3/226
D424,294 S	5/2000	Lundyn	
D433,228 S	11/2000	Wentling, Jr.	
6,769,587 B1	8/2004	Lomas	
D507,699 S *	7/2005	Croke et al.	D3/226
D527,166 S	8/2006	Hoeksema	

7,159,281 B1	1/2007	Irizarry	
D546,557 S *	7/2007	Thomas	D3/226
D578,735 S	10/2008	Jacobs	
D605,399 S	12/2009	Faribault	
D617,549 S	6/2010	Bye	
D634,540 S *	3/2011	Lion et al.	D3/226
7,909,214 B2	3/2011	Gold et al.	
8,104,654 B2	1/2012	Overton	
D676,233 S *	2/2013	Paugh et al.	D3/228

* cited by examiner

Primary Examiner — Catheri Oliver-Garcia

(74) *Attorney, Agent, or Firm* — Michael Best & Friedrich LLP

(57) **CLAIM**

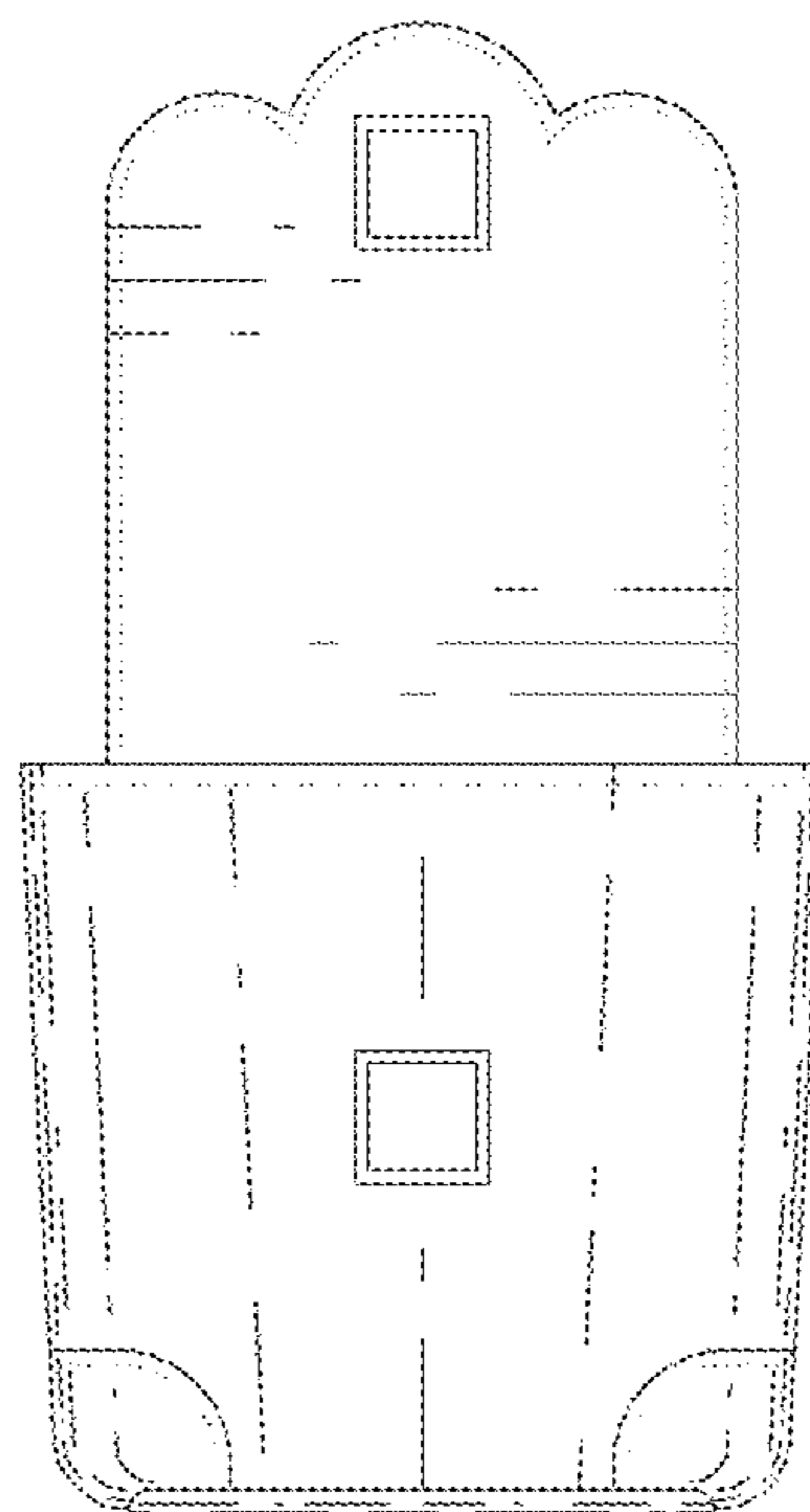
We claim the ornamental design for a belt mounted interchangeable bag and adornments, as shown and described.

DESCRIPTION

FIG. 1 is a front view of a belt mounted bag;
 FIG. 2 is a rear view thereof;
 FIG. 3 is a right side view thereof;
 FIG. 4 is a left side view thereof;
 FIG. 5 is a top view thereof;
 FIG. 6 is a bottom view thereof;
 FIG. 7 is a front perspective view thereof;
 FIG. 8 is a rear perspective view thereof;
 FIG. 9 is a rear perspective view, illustrating the belt attachment; and,
 FIGS. 10-12 are front perspective views of belt mounted adornments.

The broken lines are included for the purpose of illustrating unclaimed portions of the belt mounted interchangeable bag and adornments that form no part of the claimed design.

1 Claim, 8 Drawing Sheets



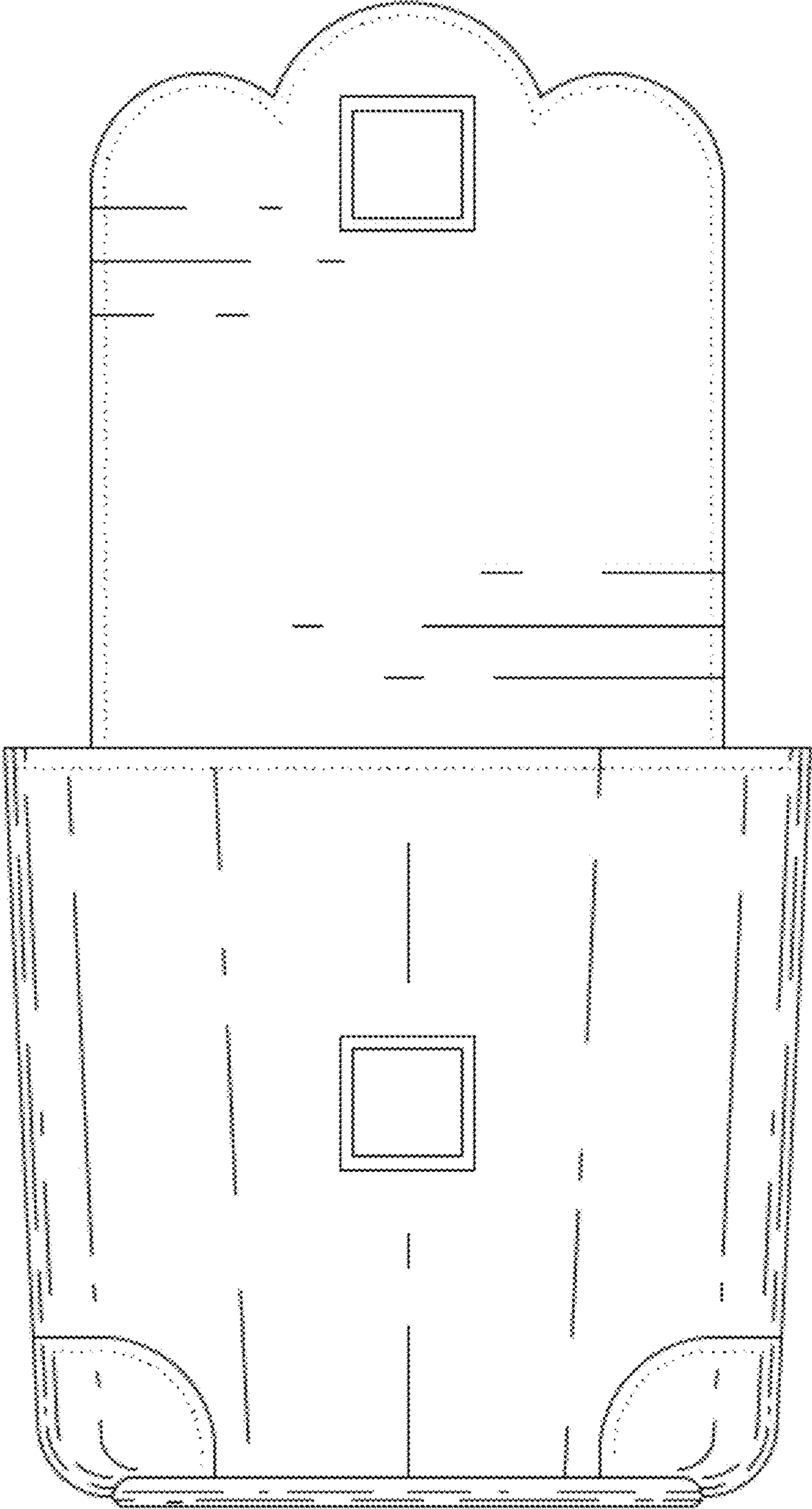


FIG. 1

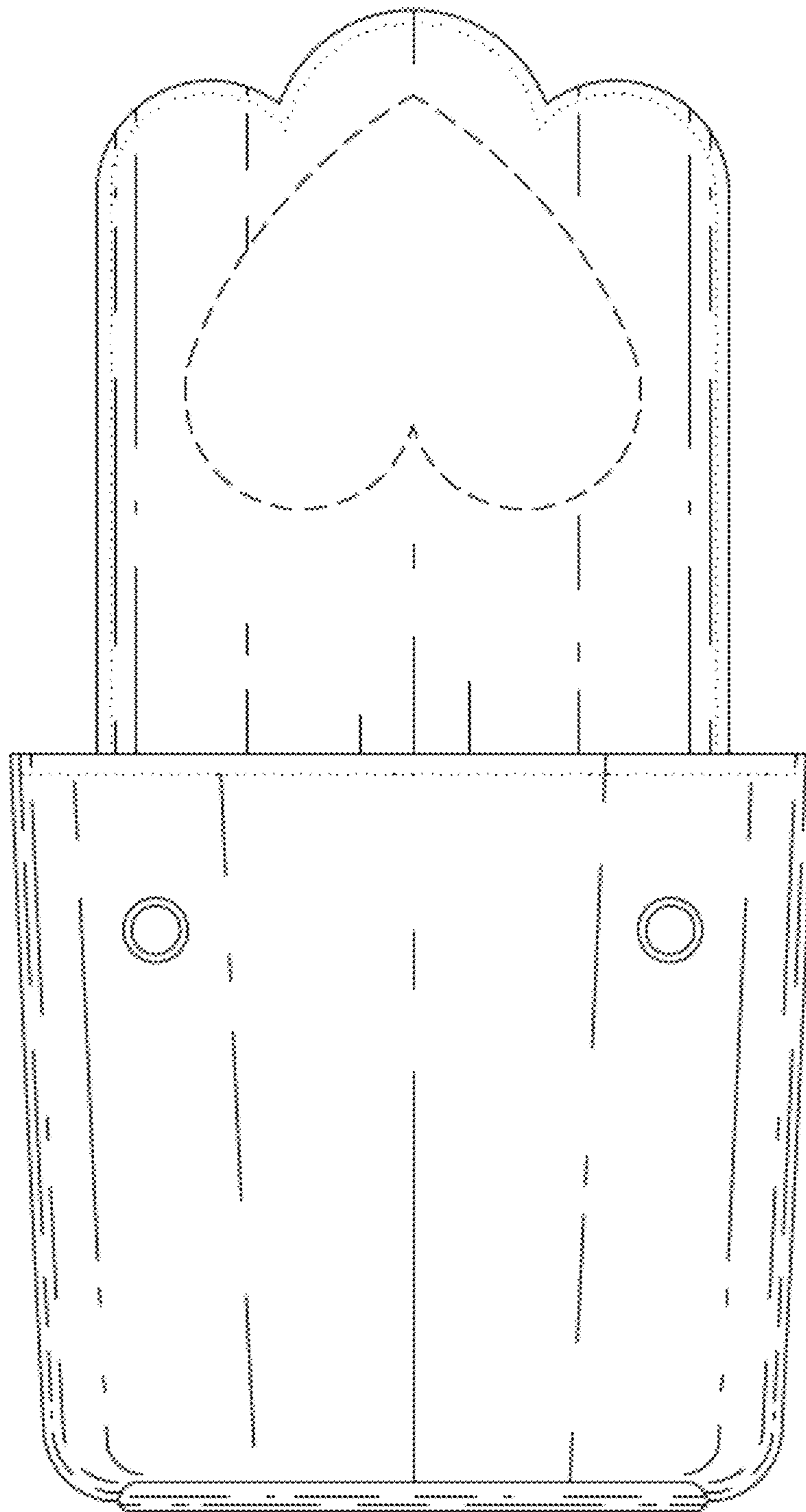


FIG. 2

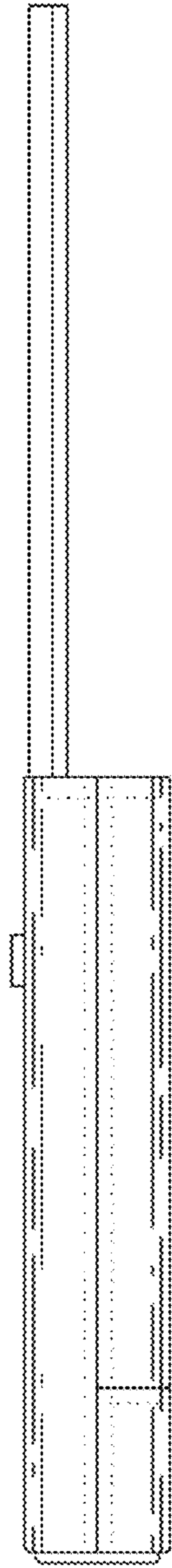


FIG. 3

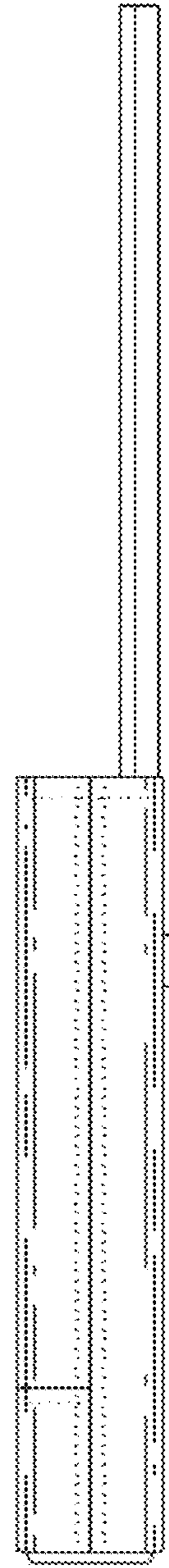


FIG. 4

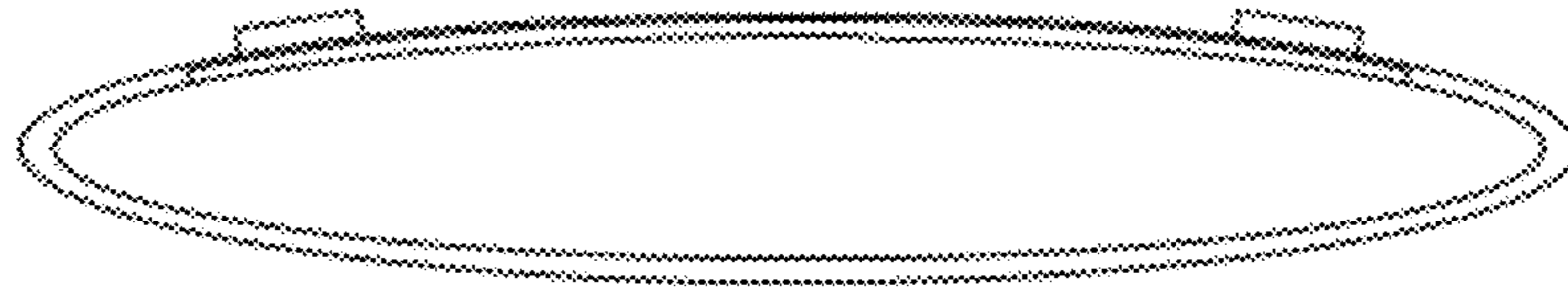


FIG. 5

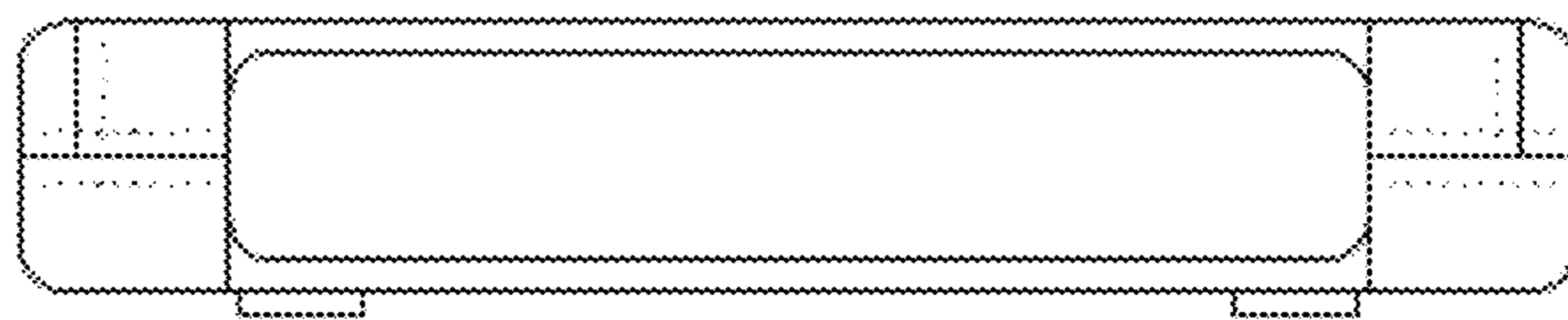


FIG. 6

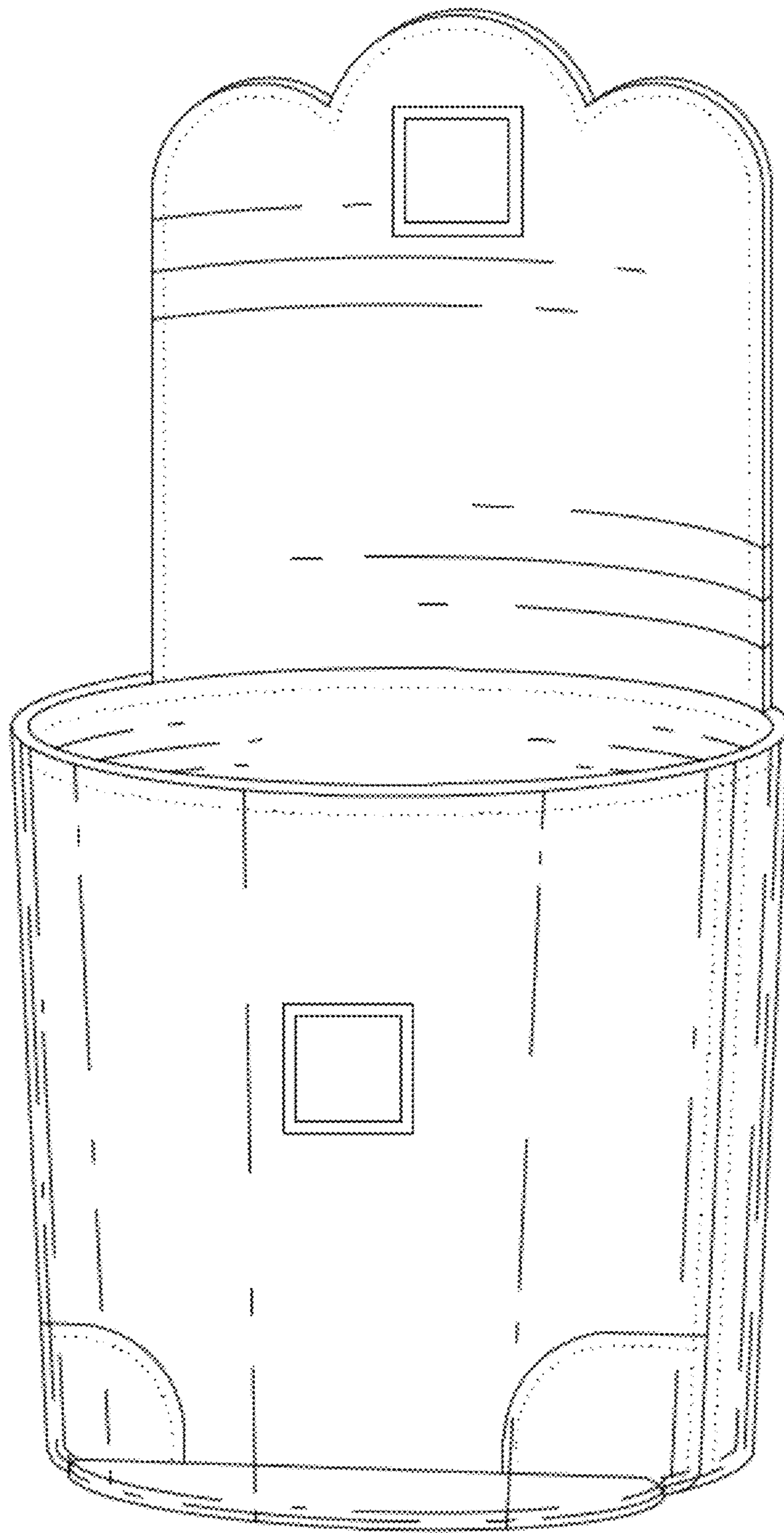


FIG. 7

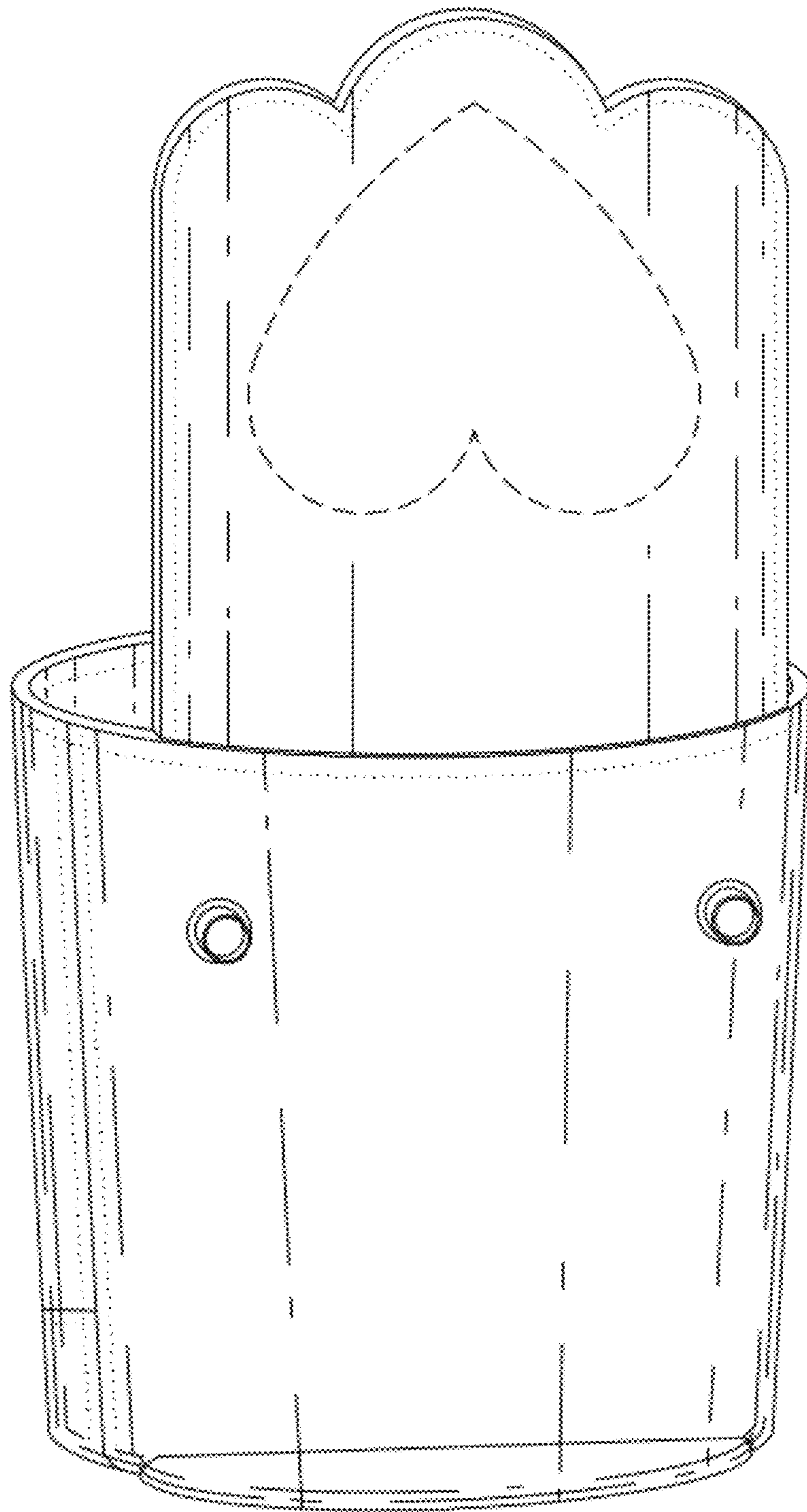


FIG. 8

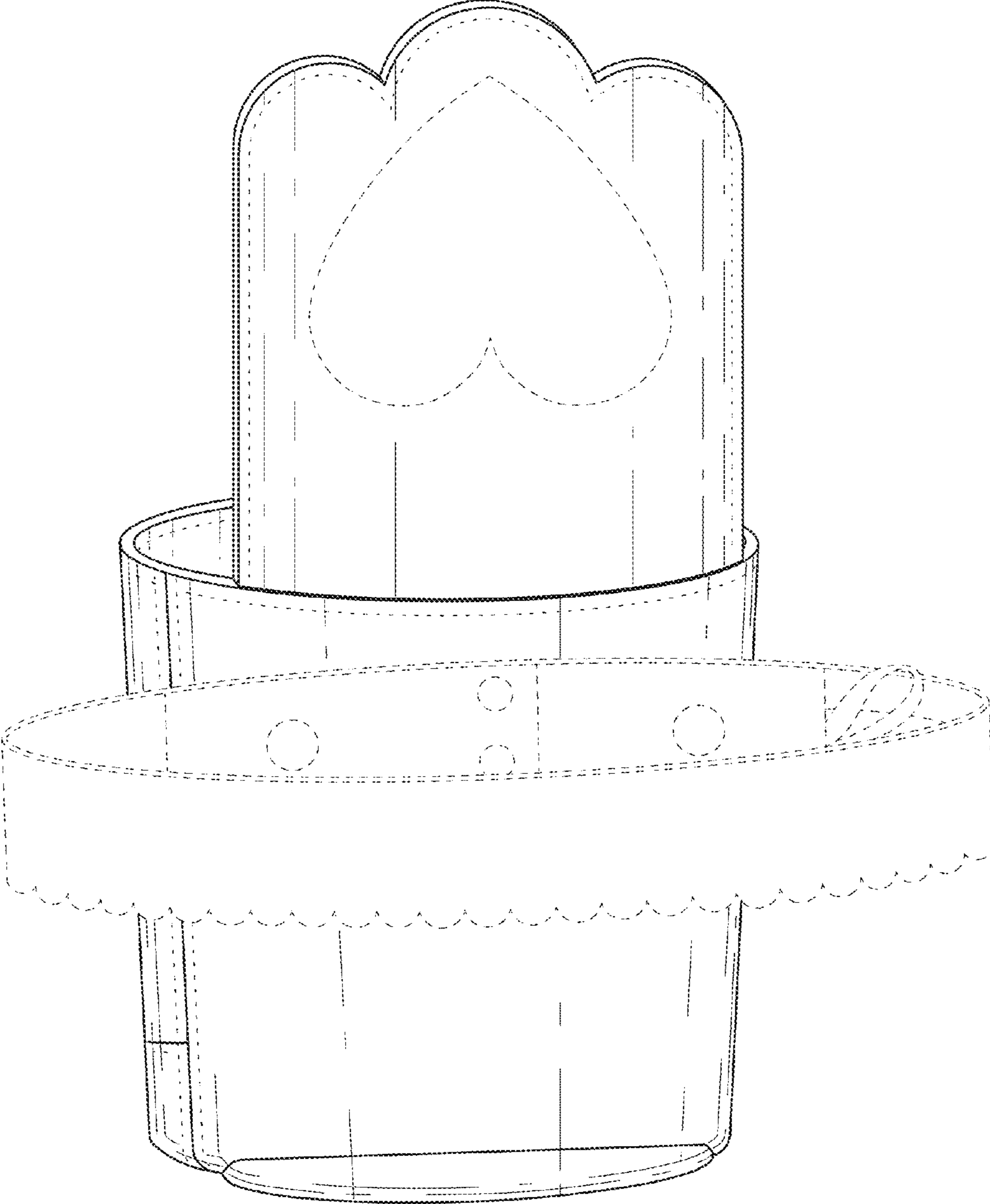


FIG. 9

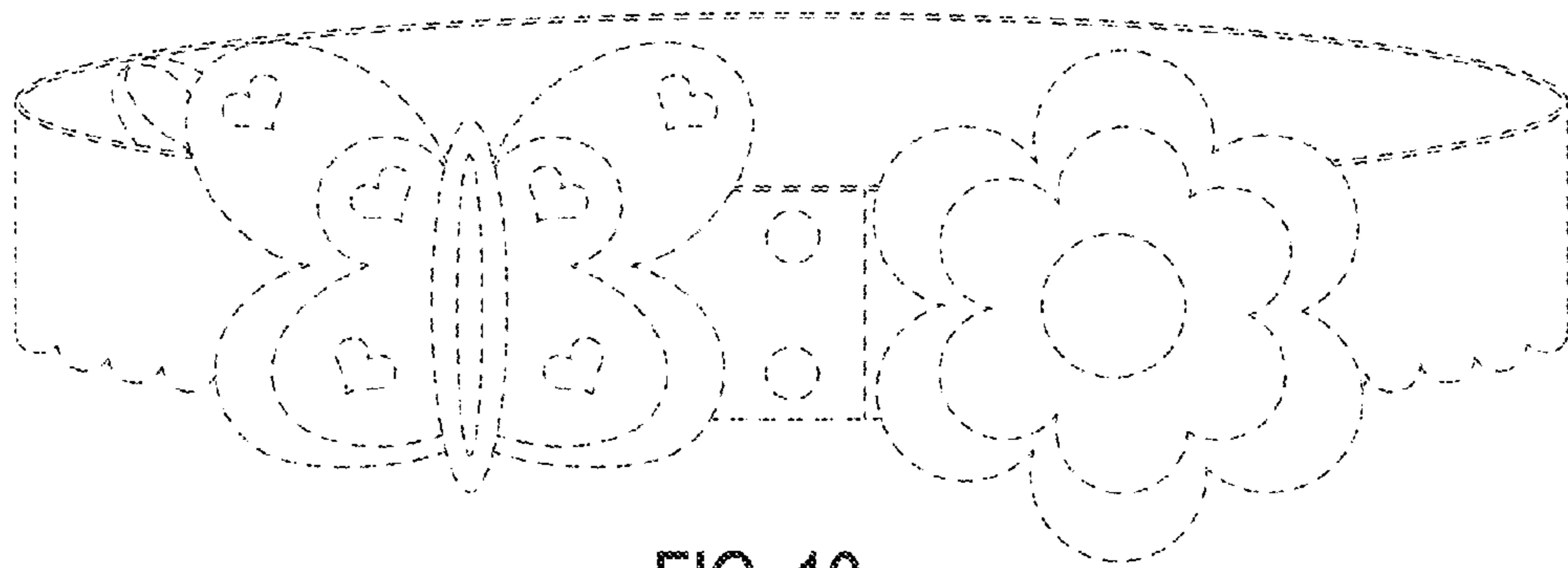


FIG. 10

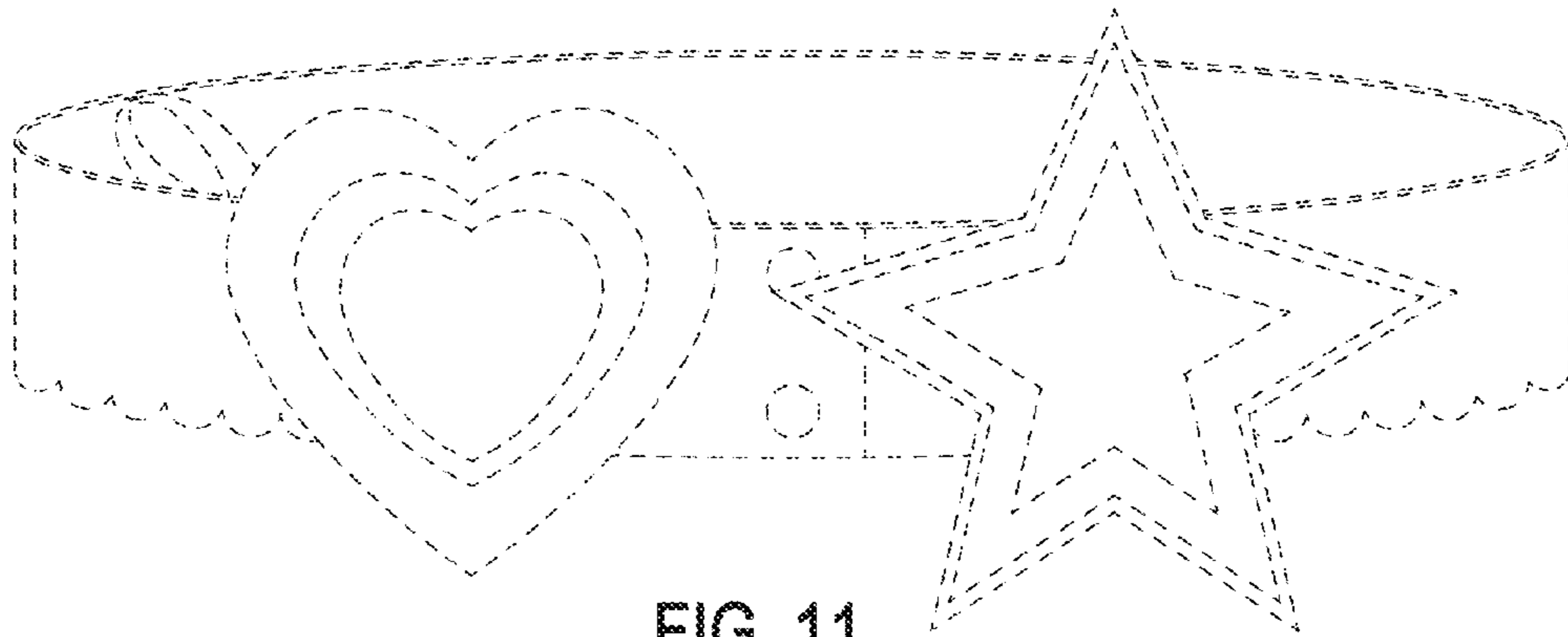


FIG. 11

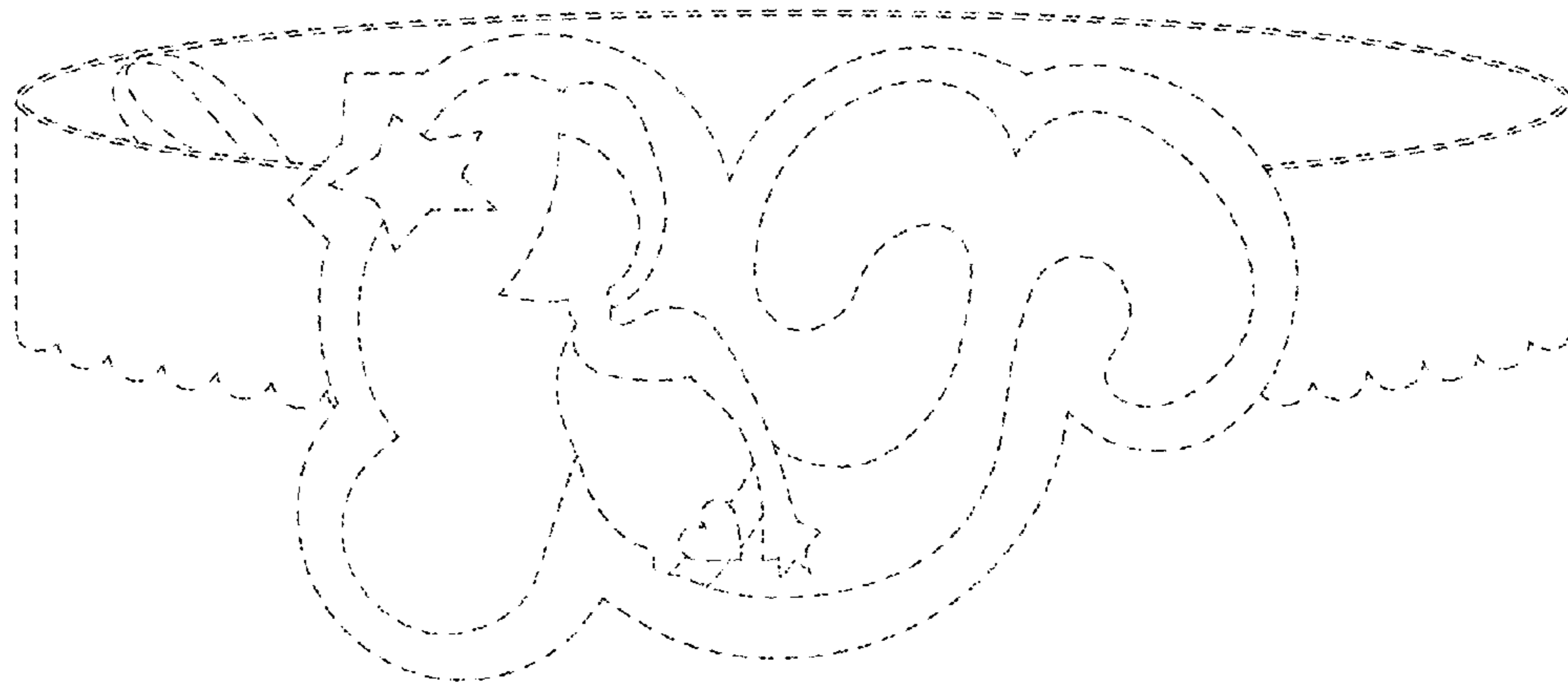


FIG. 12