



US00D746050S

(12) **United States Design Patent**
Ford

(10) **Patent No.:** **US D746,050 S**
(45) **Date of Patent:** **** Dec. 29, 2015**

(54) **BACKPACK**

(71) Applicant: **NIKE, Inc.**, Beaverton, OR (US)

(72) Inventor: **Timothy John Ford**, Portland, OR (US)

(73) Assignee: **NIKE, Inc.**, Beaverton, OR (US)

(**) Term: **14 Years**

(21) Appl. No.: **29/511,096**

(22) Filed: **Dec. 5, 2014**

(51) **LOC (10) Cl.** **03-01**

(52) **U.S. Cl.**

USPC **D3/217**

(58) **Field of Classification Search**

USPC D3/201, 213–218, 231, 232, 267, 273,
D3/289, 290, 318, 321, 327; 224/153

CPC A45F 3/04; A45F 4/02; A45F 3/02;
A45F 3/08; A45F 3/047; A45C 9/00; A45C
5/14; A45C 13/02; A45C 3/00; A45C 13/08;
A41D 15/04

See application file for complete search history.

(56) **References Cited**

U.S. PATENT DOCUMENTS

D113,446 S	2/1939	White	
D251,083 S	2/1979	Rabinowitz et al.	
D268,879 S *	5/1983	Outcalt	D3/268
D426,951 S	6/2000	Rohrbach et al.	
D431,356 S	10/2000	Ammerman et al.	
D437,997 S	2/2001	Ammerman et al.	
D466,293 S *	12/2002	Murdoch et al.	D3/268
D479,186 S	9/2003	Hassett	
D498,585 S	11/2004	Darling	
D501,723 S	2/2005	Fenton et al.	
D506,314 S	6/2005	Roberts	
D507,697 S	7/2005	Seong	
D512,220 S *	12/2005	Van Himbeeck	D3/279
D513,880 S	1/2006	Domotor et al.	
D517,801 S	3/2006	Woo	
D524,543 S	7/2006	Toler et al.	

D543,357 S	5/2007	Corcoran	
D548,461 S	8/2007	Bettua et al.	
D550,964 S	9/2007	Bettua et al.	
D552,845 S *	10/2007	Shor et al.	D3/217
7,500,547 B2 *	3/2009	Bettua et al.	190/115
7,537,143 B1 *	5/2009	Collier	224/633
D608,096 S *	1/2010	Noble	D3/318
D610,797 S	3/2010	Shor et al.	

(Continued)

OTHER PUBLICATIONS

Nike Equipment Catalog, 2010 Fall Accessories Equipment, p. 2,
published Nov. 2009, NIKE, Inc., USA.

(Continued)

Primary Examiner — George D Kirschbaum

Assistant Examiner — Jennifer Watkins

(74) *Attorney, Agent, or Firm* — Banner & Witcoff, Ltd.

(57) **CLAIM**

The ornamental design for a backpack, as shown and described.

DESCRIPTION

FIG. 1 is a front, left perspective view of a backpack showing my new design;

FIG. 2 is a front view thereof;

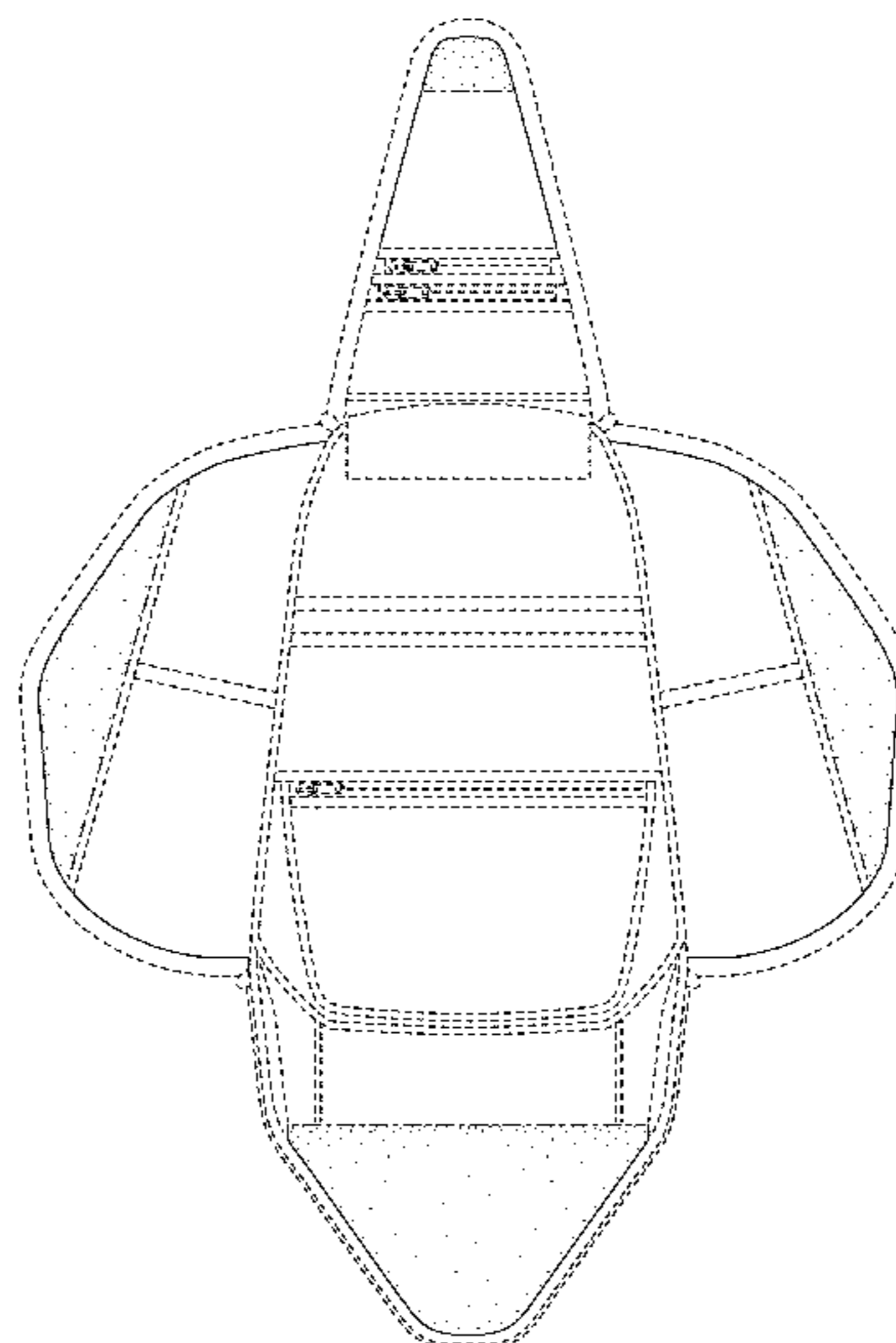
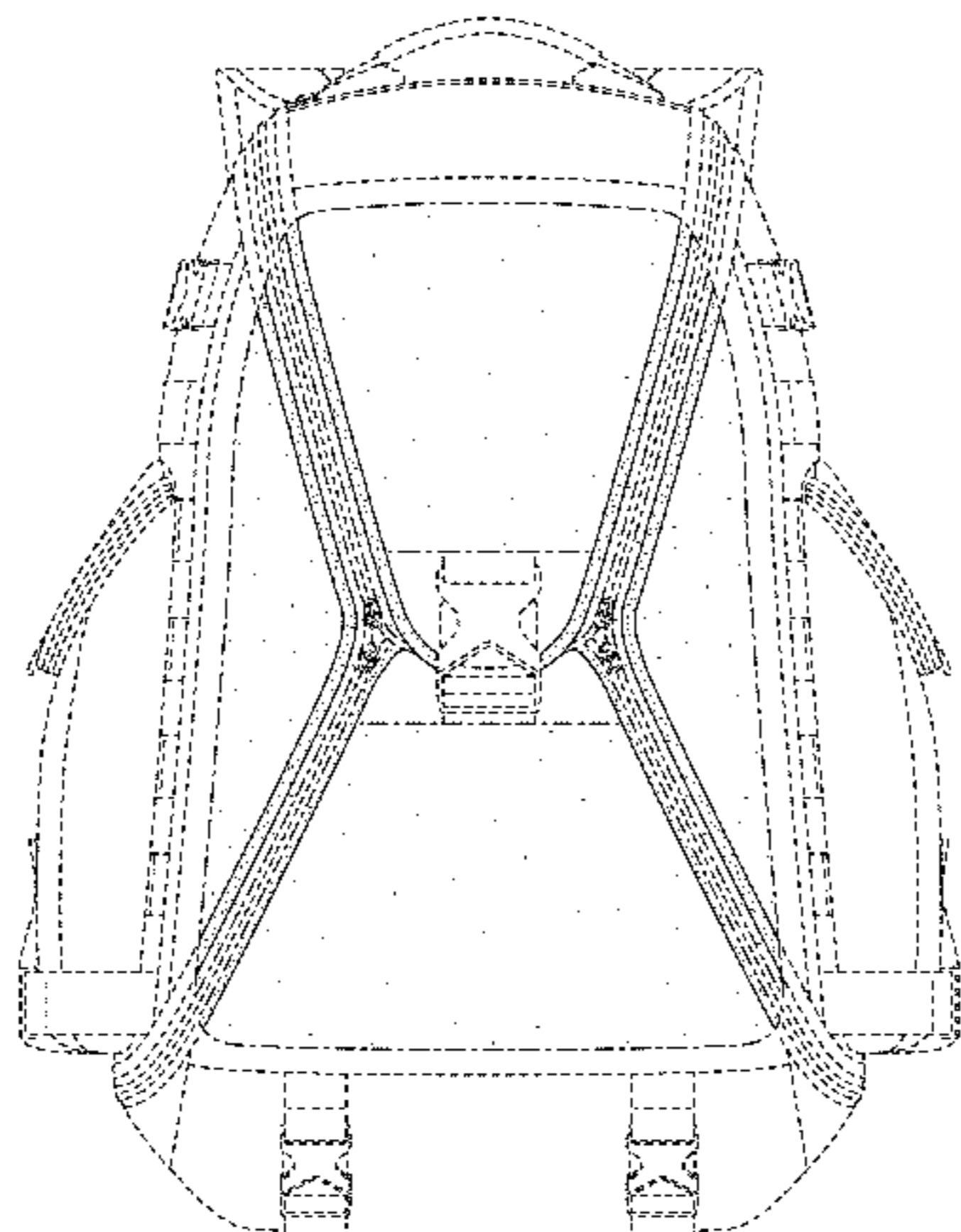
FIG. 3 is an enlarged view of FIG. 2 with unclaimed subject matter omitted;

FIG. 4 is an alternate configuration of the front perspective view thereof; and,

FIG. 5 is a front view of FIG. 4 thereof.

The uneven-length broken lines immediately adjacent to the shaded area represent unclaimed boundaries of the design. The unshaded regions within the shaded area that are demarcated in part by uneven-length broken lines form no part of the claimed design. The even-length broken lines showing the remainder of the backpack are for environmental purposes only and form no part of the claimed design.

1 Claim, 5 Drawing Sheets



(56)

References Cited

OTHER PUBLICATIONS

U.S. PATENT DOCUMENTS

D622,500	S	8/2010	Pho	
D630,011	S	1/2011	Knight et al.	
D665,573	S	8/2012	Crandall	
D676,659	S	2/2013	Brunazzi et al.	
D688,455	S	8/2013	Boldetti et al.	
D699,944	S	2/2014	Mather	
D709,689	S	7/2014	Brunazzi et al.	
D710,608	S	8/2014	Yoneno	
D713,139	S	9/2014	Ford	
D731,181	S *	6/2015	Majeau et al.	D3/279
D734,032	S *	7/2015	Robinson et al.	D3/283
2002/0125285	A1 *	9/2002	Parks et al.	224/655
2007/0074941	A1 *	4/2007	Liang	190/107
2009/0184143	A1 *	7/2009	Witt et al.	224/153

Nike Equipment Catalog, 2010 Holiday Equipment, p. 2, published Feb. 2010, NIKE, Inc., USA.

Nike Equipment Catalog, 2011 Fall Equipment, p. 15, published date unknown, but prior to the filing date of the present application, NIKE, Inc., USA.

Columbia Silver Ridge 25L Backpack by Columbia Store[online]. retrieved May 15, 2015]. Retrieved from the Internet <http://www.columbia.com/silver-ridge-25l-backpack-UU9895.html?dwvar__UU9895_variationColor=448#q=backpack&pg=2&start=12>.

* cited by examiner

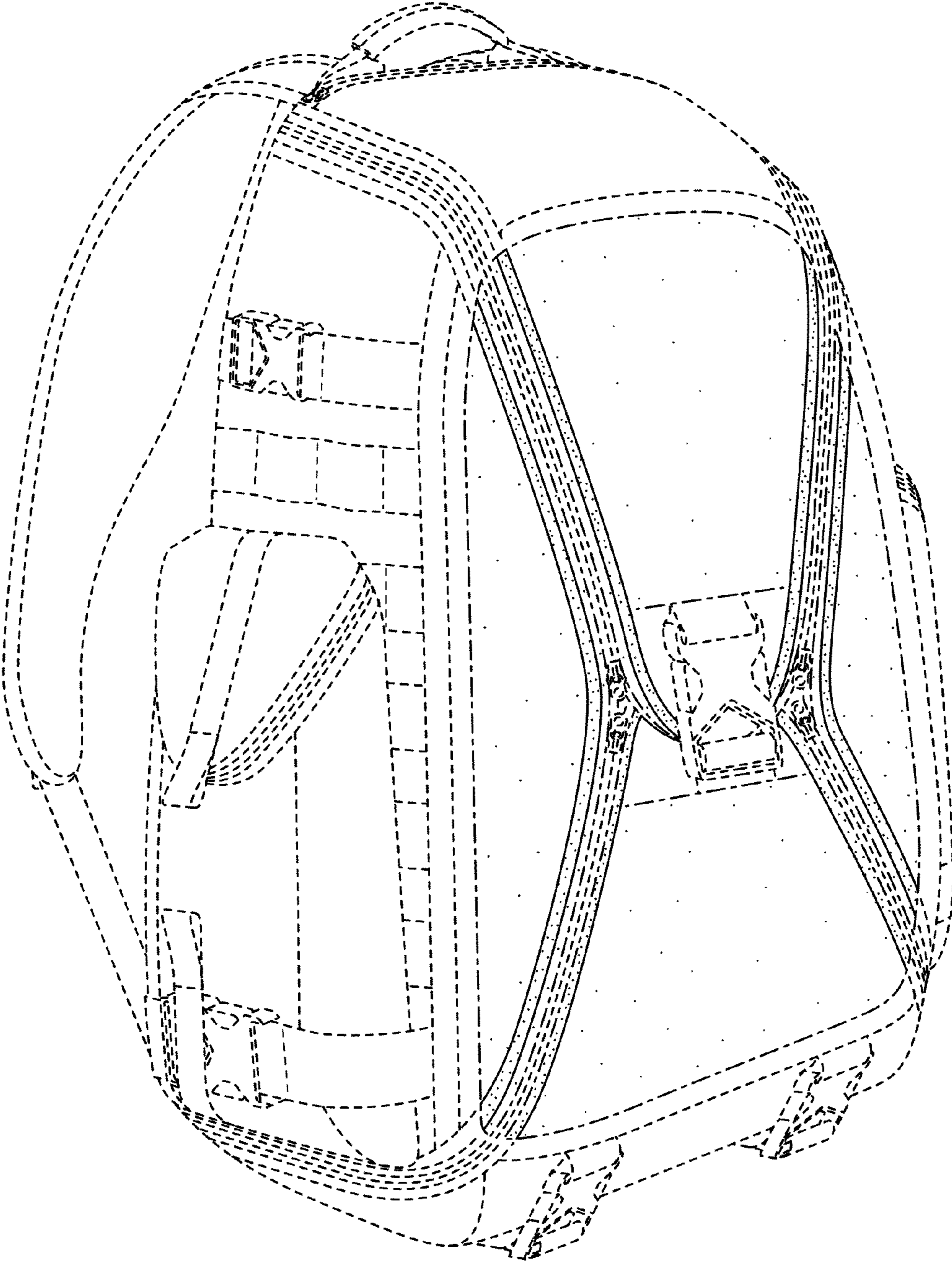


FIG. 1

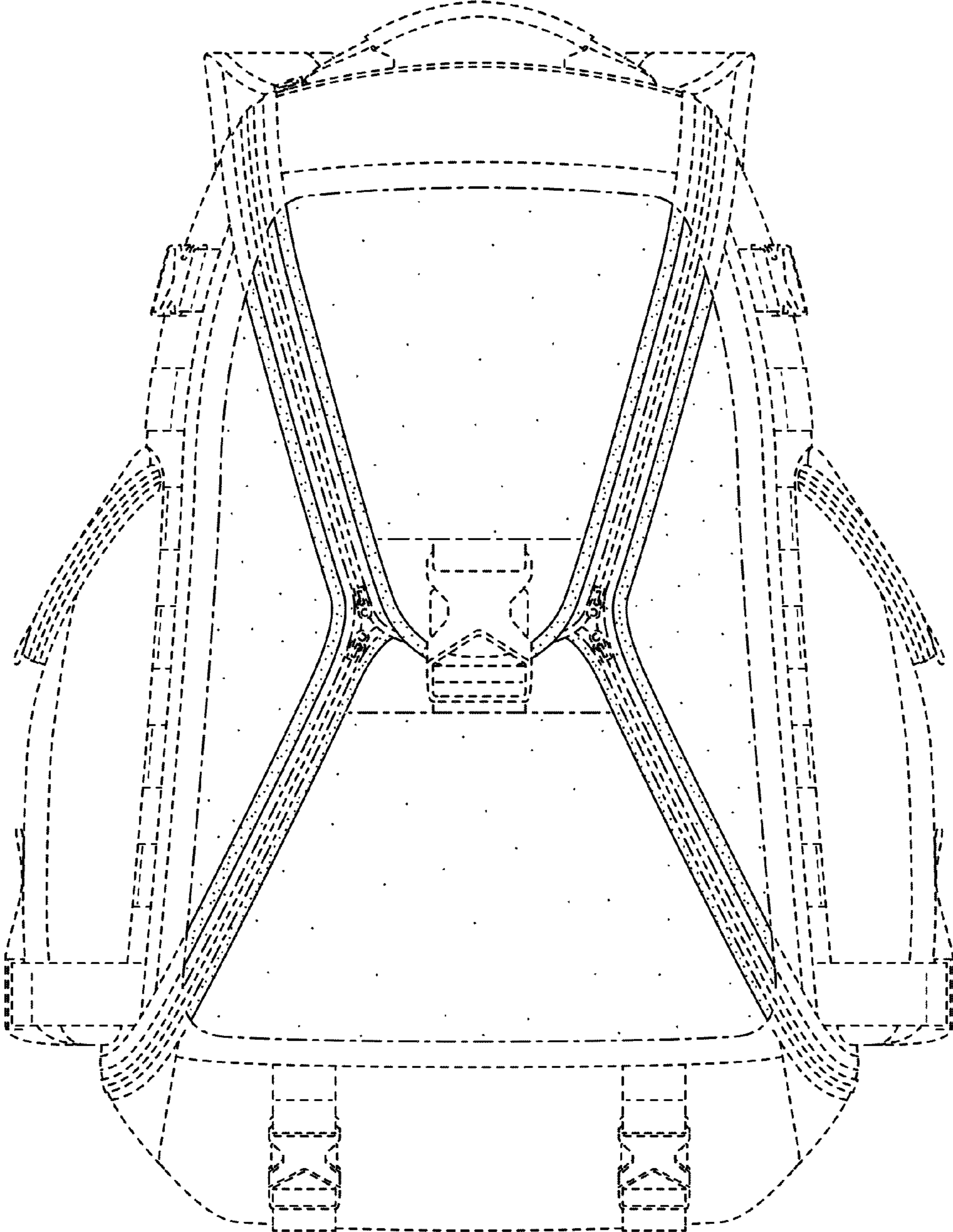


FIG. 2

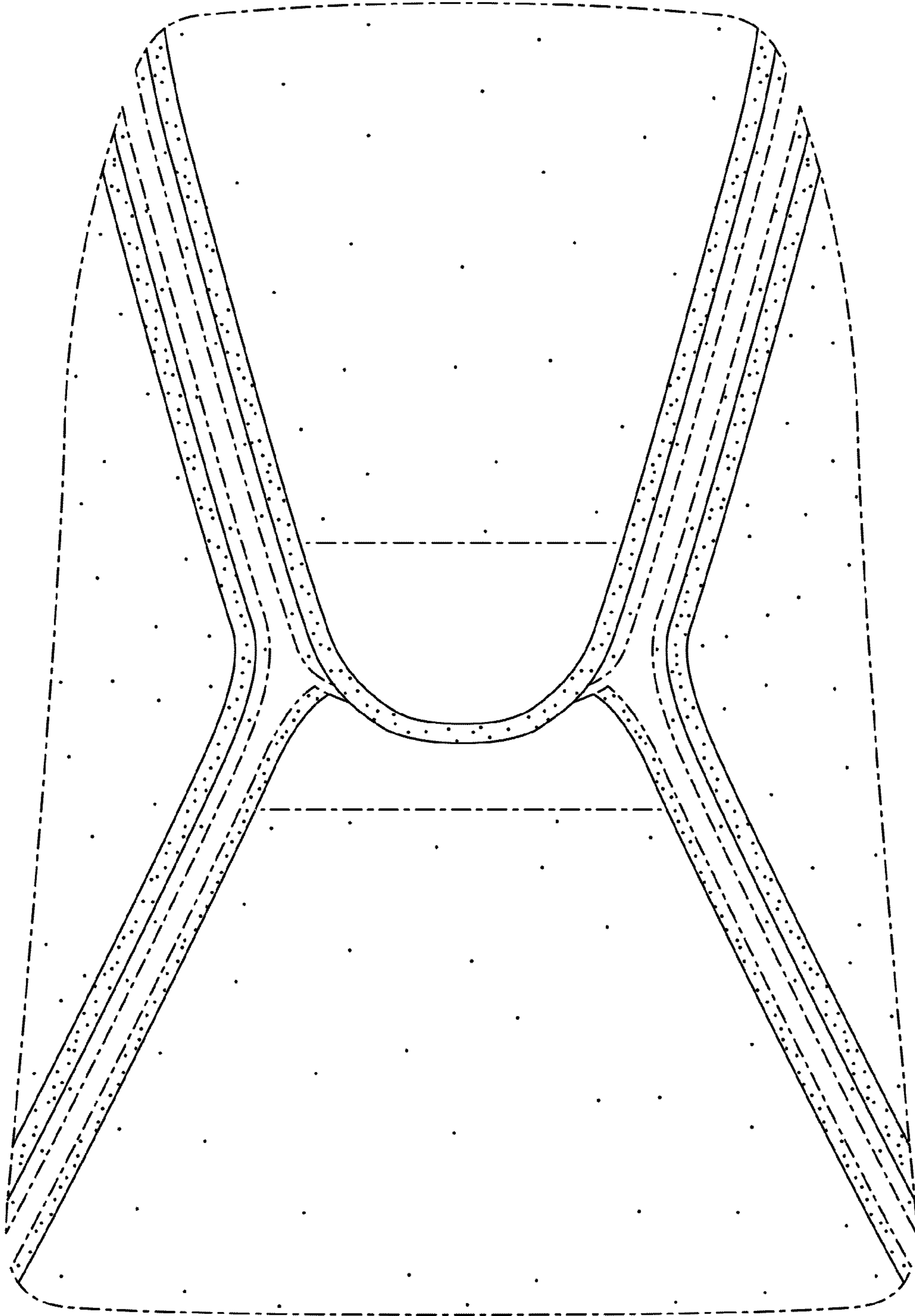


FIG. 3

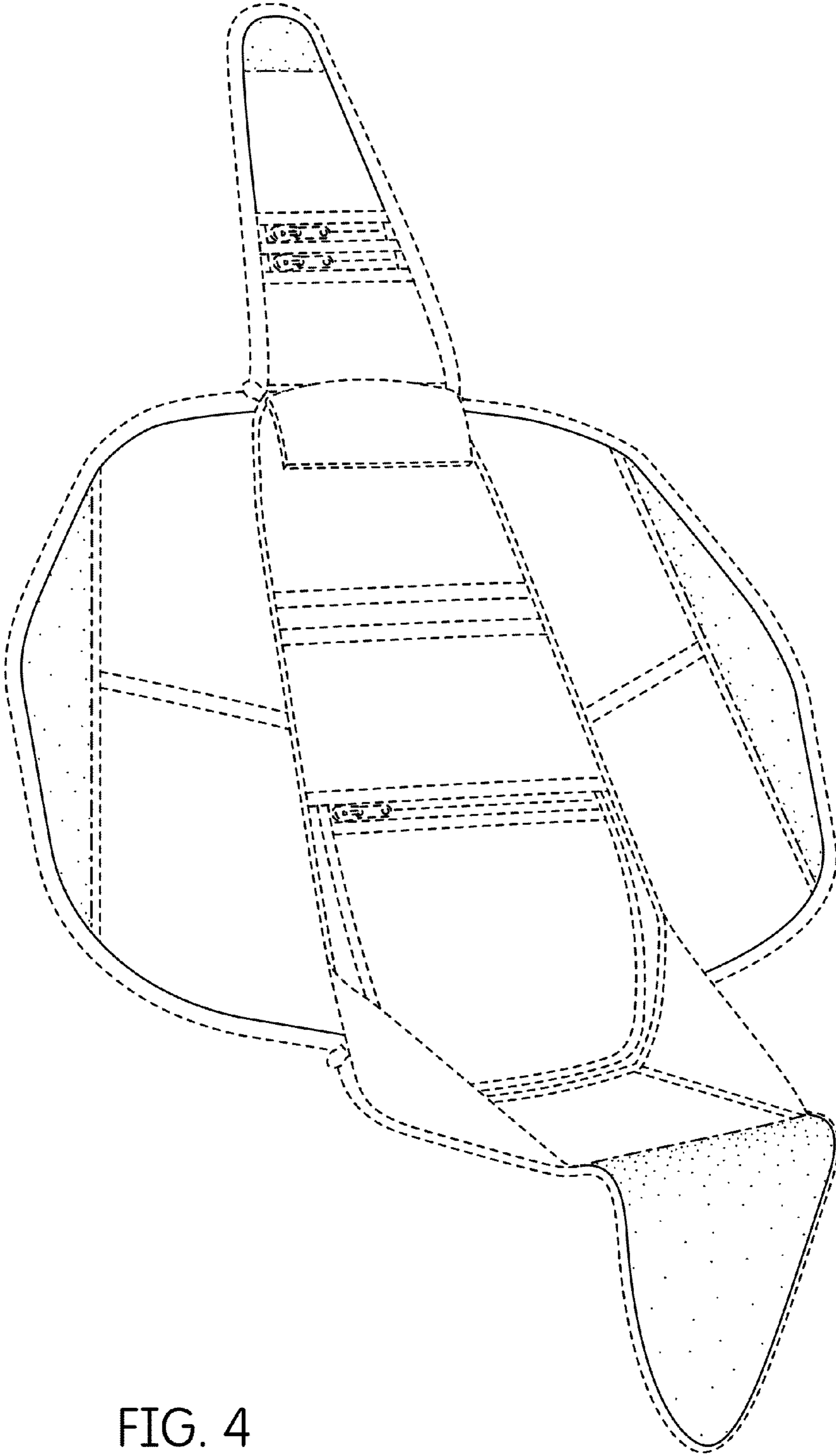


FIG. 4

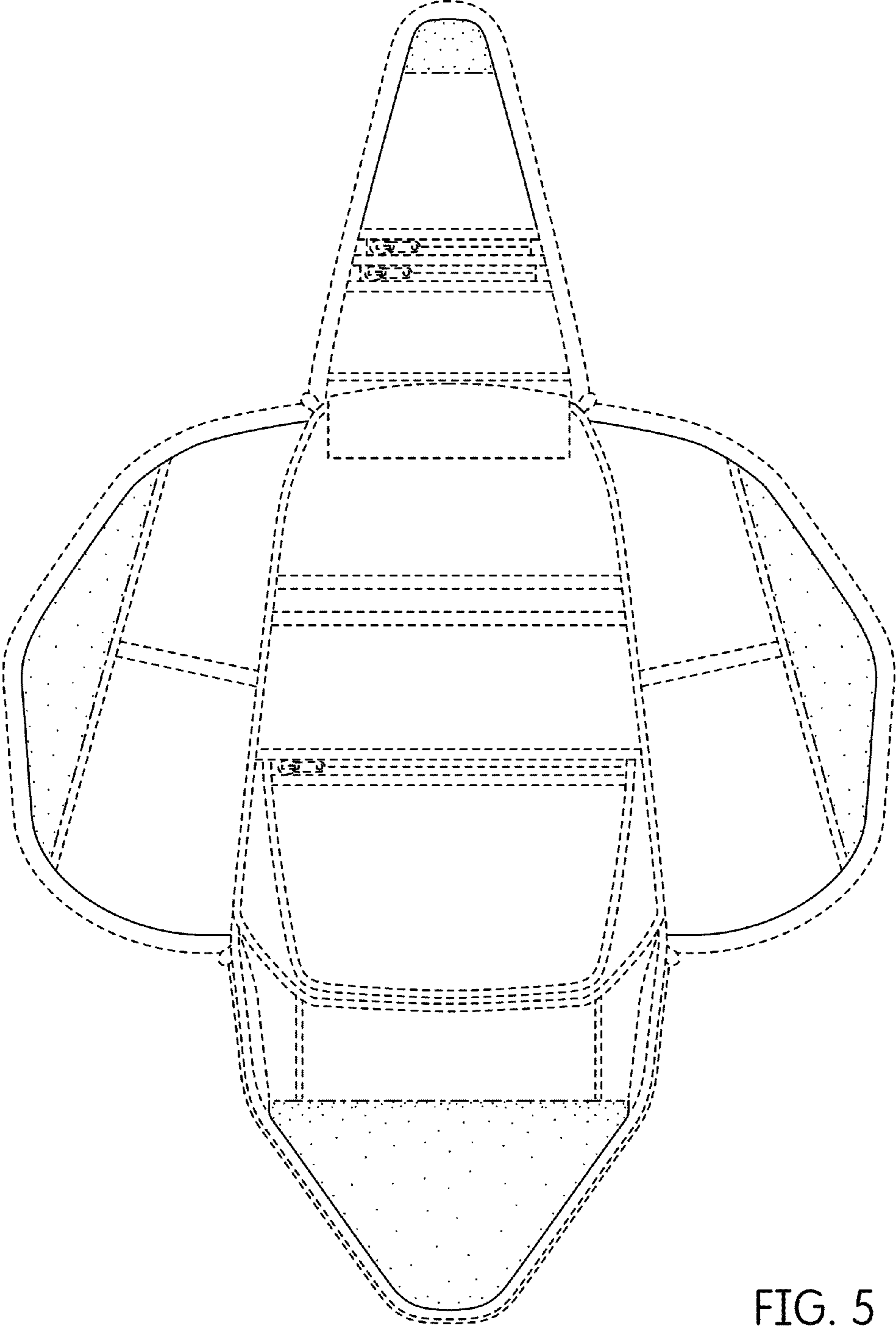


FIG. 5