



US00D746049S

(12) **United States Design Patent**
Zwetzig

(10) **Patent No.:** **US D746,049 S**
(45) **Date of Patent:** **** Dec. 29, 2015**

(54) **BACKPACK**
(71) Applicant: **Thule Organization Solutions, Inc.**,
Niwot, CO (US)
(72) Inventor: **Nathan Roger Zwetzig**, Westminster,
CO (US)
(73) Assignee: **Thule Organization Solutions, Inc.**,
Niwot, CO (US)
(**) Term: **14 Years**

D624,312 S 9/2010 Chu et al.
D651,794 S 1/2012 Hargens et al.
D654,267 S 2/2012 Littleton
D655,082 S 3/2012 LaCorte
D657,140 S 4/2012 Guyon et al.
8,157,068 B2 4/2012 Sapyta
D661,085 S * 6/2012 Custer D3/217
D681,338 S 5/2013 Holloway et al.
D683,956 S 6/2013 Leung
D690,095 S 9/2013 Garcia et al.
D696,014 S 12/2013 Ng
D703,431 S 4/2014 Taylor
2003/0234269 A1 12/2003 Shamas
2010/0140307 A1* 6/2010 Almoumen 224/155

(21) Appl. No.: **29/486,128**
(22) Filed: **Mar. 26, 2014**
(51) **LOC (10) Cl.** **03-01**
(52) **U.S. Cl.**
USPC **D3/217**
(58) **Field of Classification Search**
USPC D3/201, 213–218, 231, 232, 233, 254,
D3/267, 273, 274, 279, 283, 285, 286, 287,
D3/289, 290, 301, 318, 321, 327; 224/153
CPC A45F 3/04; A45F 4/02; A45F 3/02;
A45F 3/08; A45F 3/047; A45C 9/00; A45C
5/14; A45C 13/02; A45C 3/00; A45C 13/08;
A41D 15/04
See application file for complete search history.

OTHER PUBLICATIONS

U.S. Appl. No. 29/485,080, filed Mar. 14, 2014, Zwetzig.
U.S. Appl. No. 29/488,008, filed Apr. 15, 2014, Zwetzig.
Official Action for U.S. Appl. No. 29/485,080, mailed Sep. 18, 2014.
Notice of Allowance for U.S. Appl. No. 29/485,080, mailed Dec. 9,
2014.

* cited by examiner

Primary Examiner — George D Kirschbaum
Assistant Examiner — Jennifer Watkins
(74) *Attorney, Agent, or Firm* — Sheridan Ross P.C.

(57) **CLAIM**
The ornamental design for a backpack, as shown and
described.

(56) **References Cited**

U.S. PATENT DOCUMENTS

D292,747 S 11/1987 Allen
D360,182 S * 7/1995 Lovett D12/409
D373,249 S * 9/1996 Richardson D3/321
D409,376 S * 5/1999 Golenz et al. D3/217
D423,779 S * 5/2000 Goatcher D3/283
D450,448 S * 11/2001 Pierce et al. D3/217
D486,031 S 2/2004 Hillman
D505,258 S 5/2005 Bird et al.
D506,864 S * 7/2005 Fonfeder D3/217
D530,089 S 10/2006 Silverman
D554,364 S * 11/2007 Rugg D3/217
D591,504 S 5/2009 Hermann

DESCRIPTION

FIG. 1 is a front perspective view of a backpack;
FIG. 2 is a front elevation view thereof;
FIG. 3 is a rear elevation view thereof;
FIG. 4 is a right elevation view thereof;
FIG. 5 is a left elevation view thereof;
FIG. 6 is a top plan view thereof; and,
FIG. 7 is a bottom plan view thereof.
The broken lines in the drawings are for the purpose of illus-
trating portions of the backpack that form no part of the claim.

1 Claim, 7 Drawing Sheets

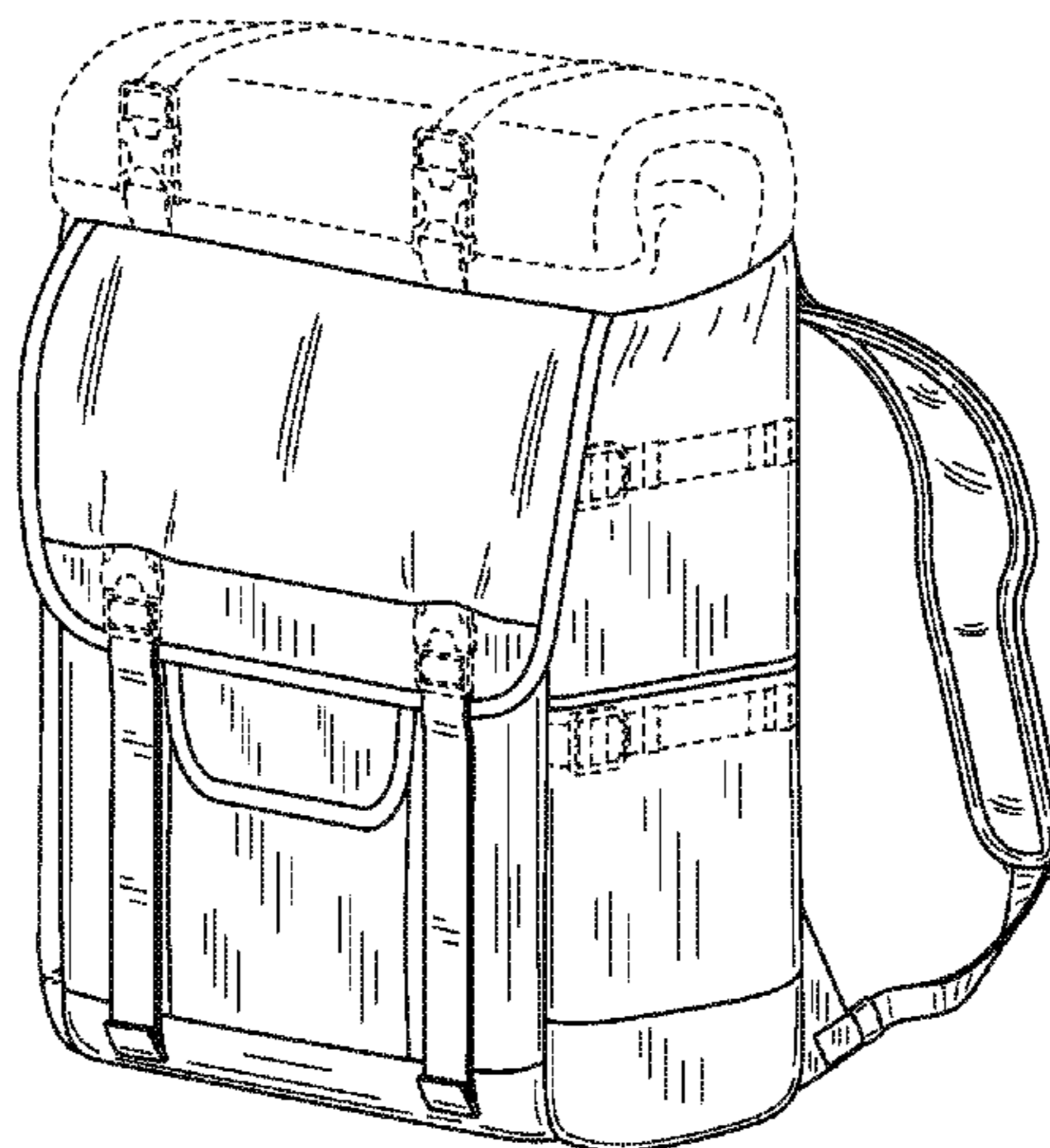




FIG. 1

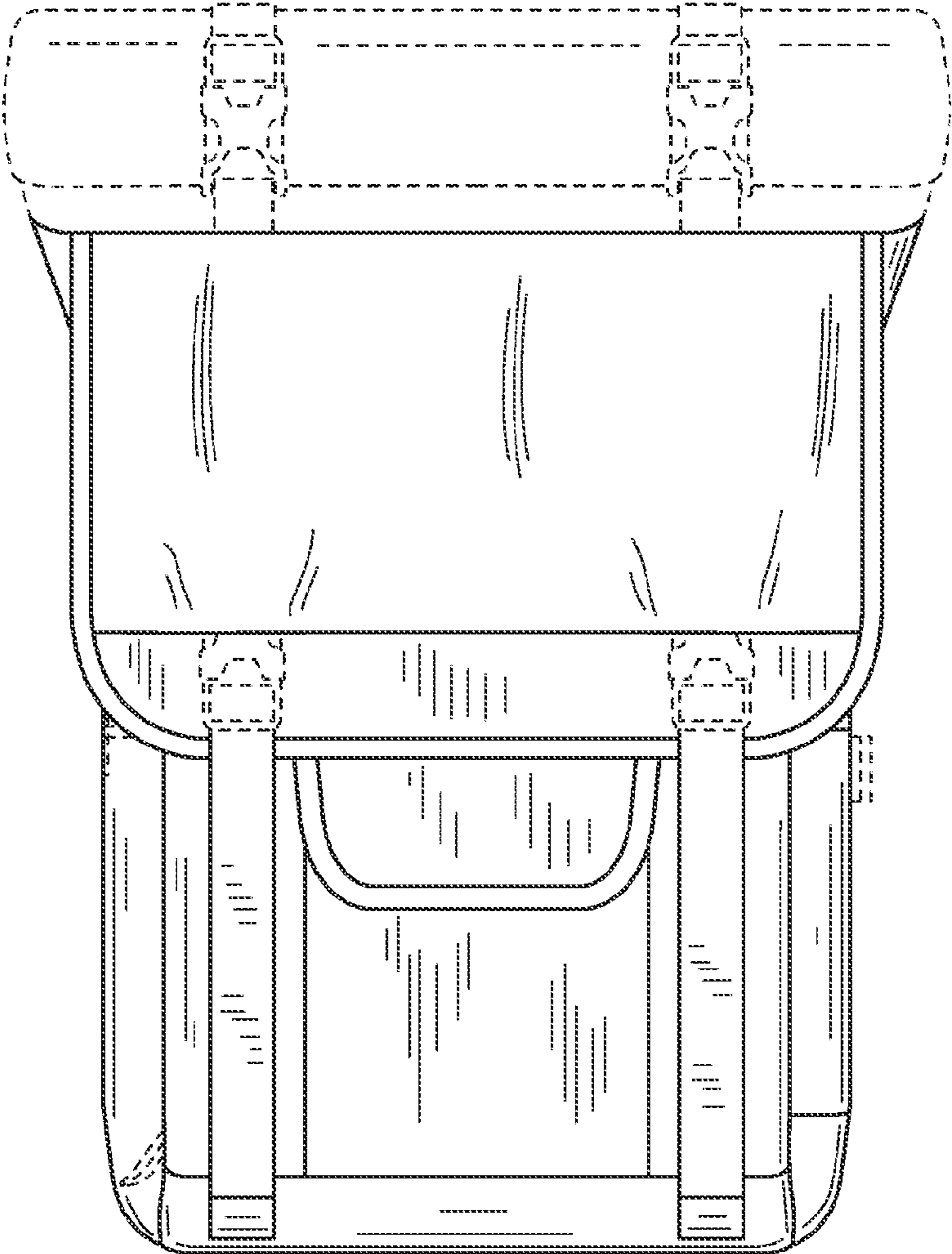


FIG. 2

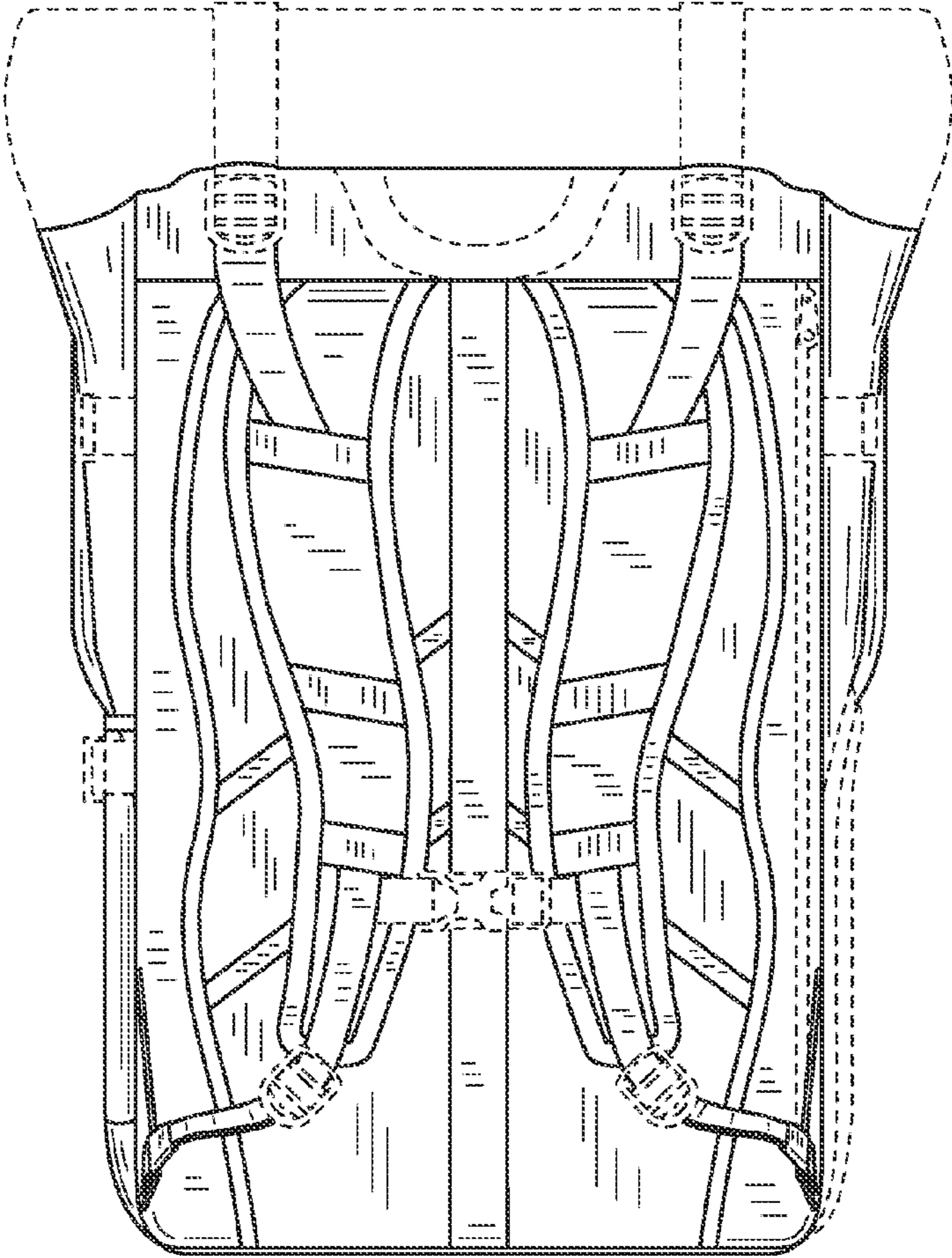


FIG.3

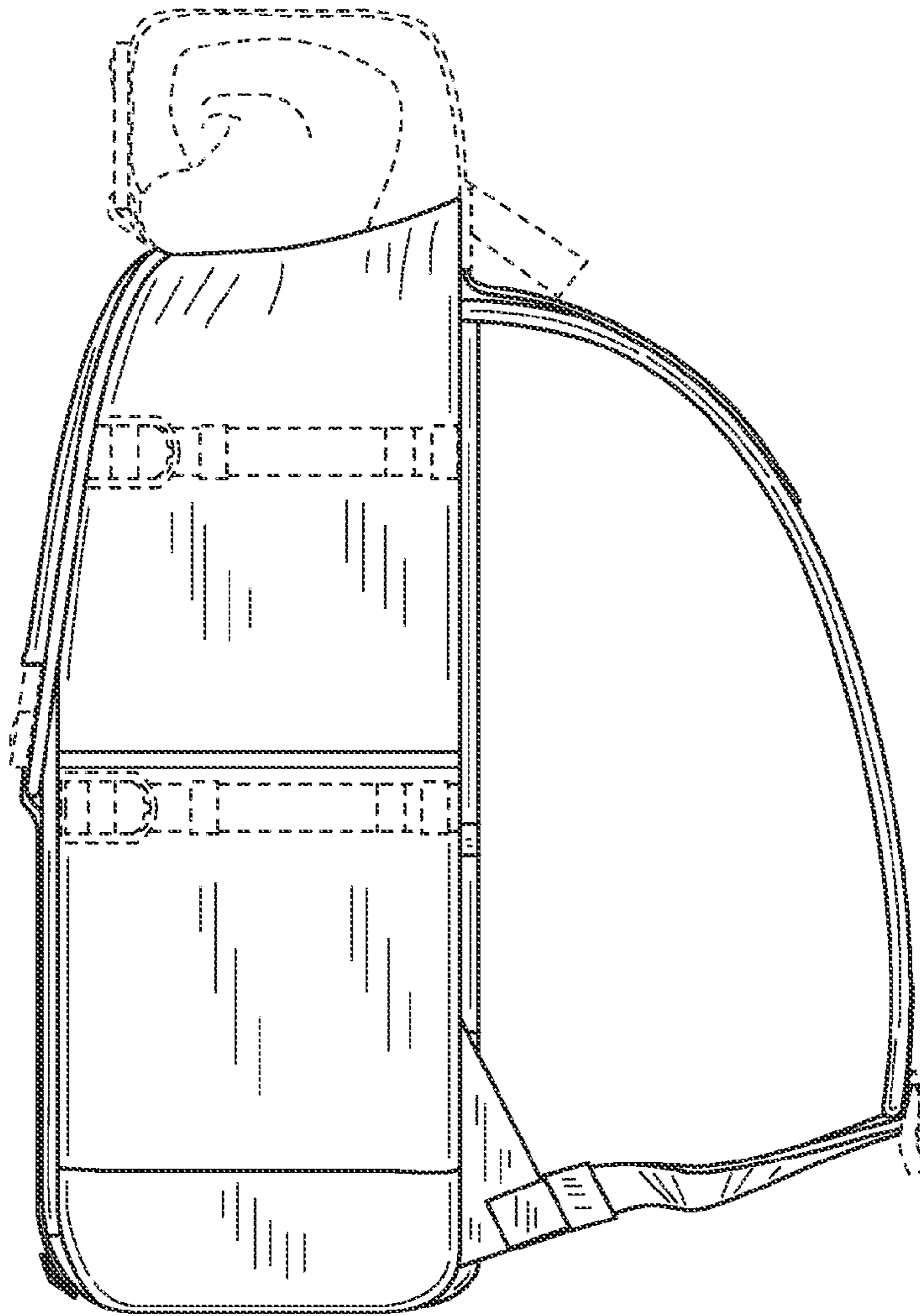


FIG.4

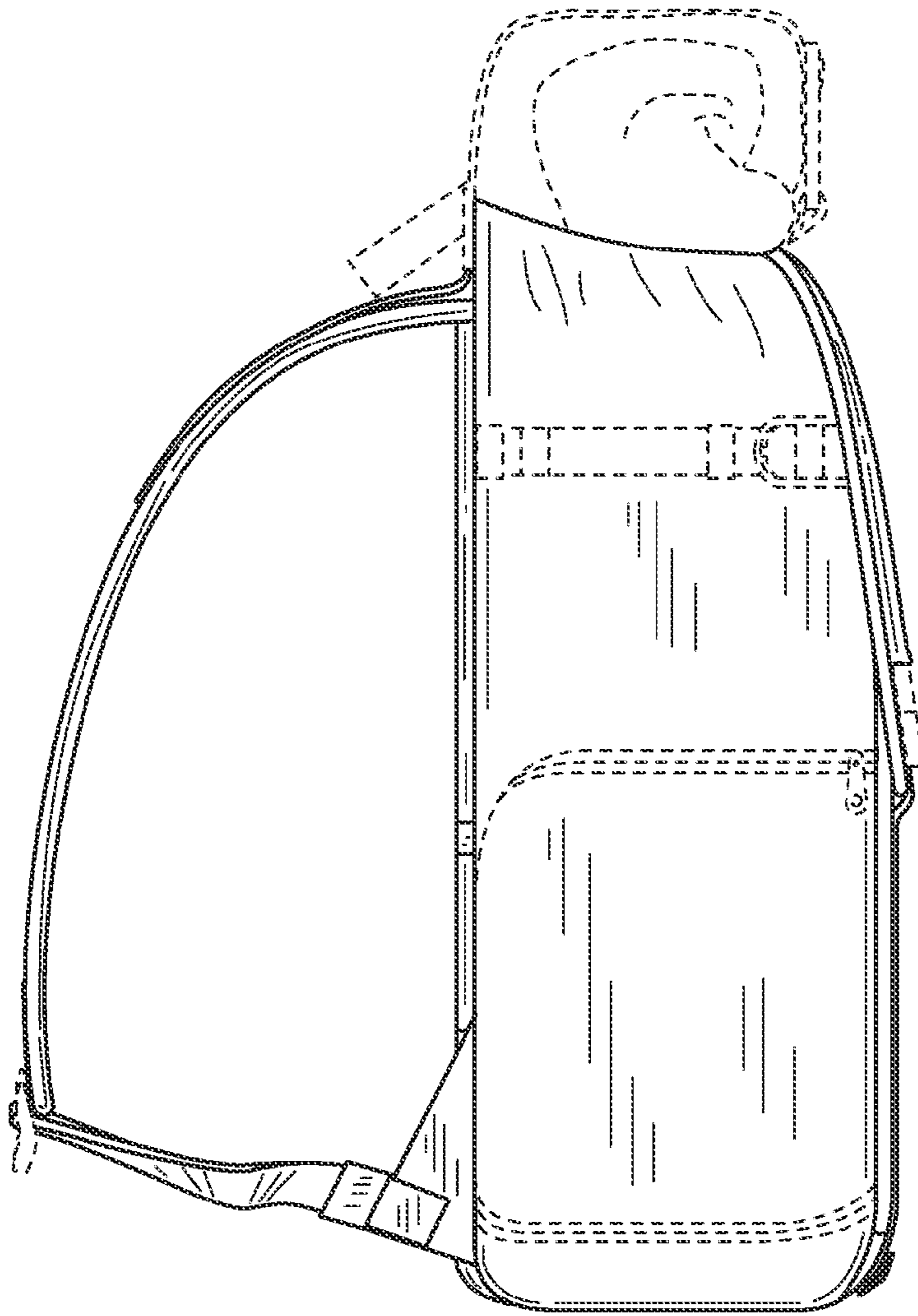


FIG.5

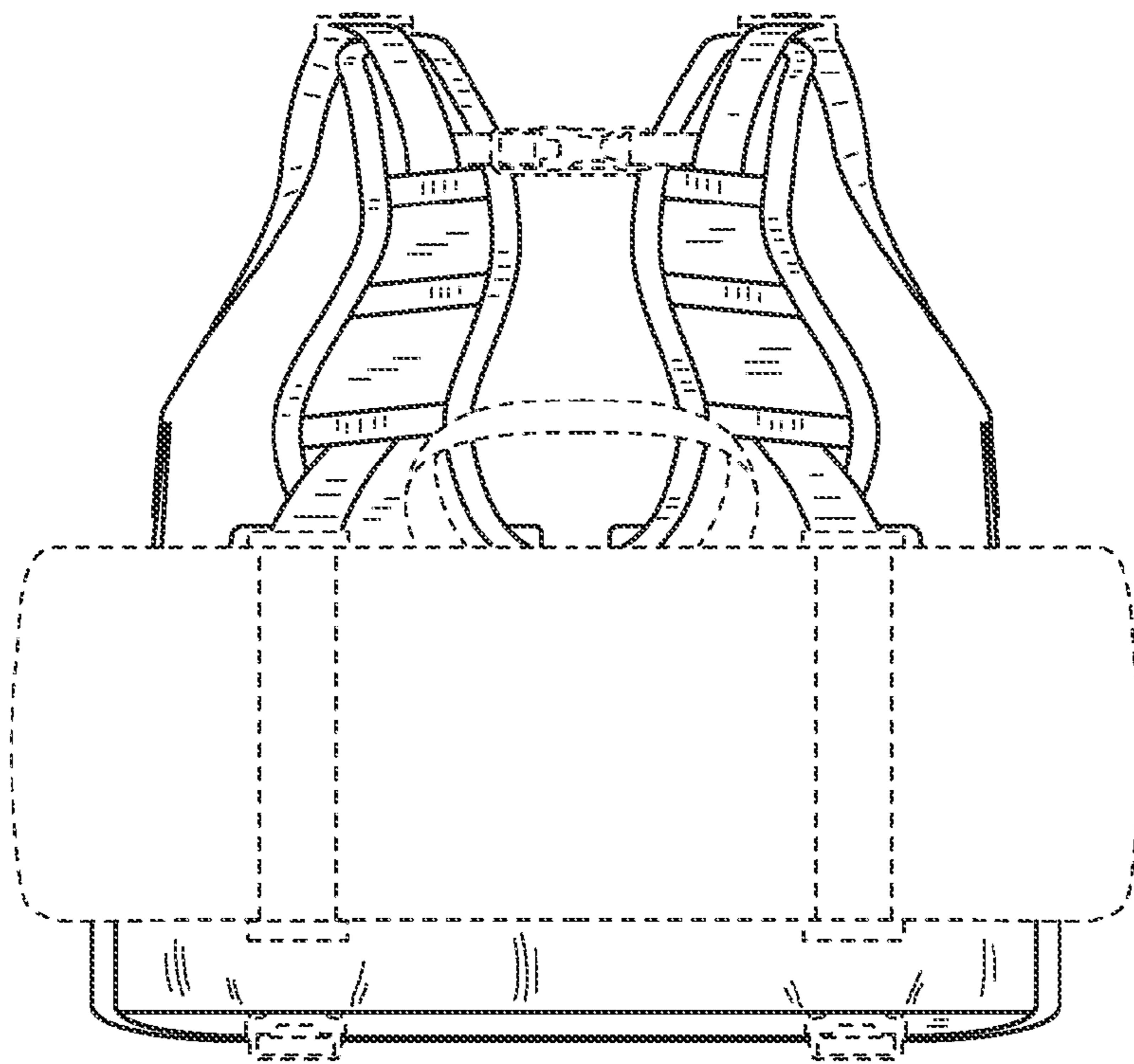


FIG.6

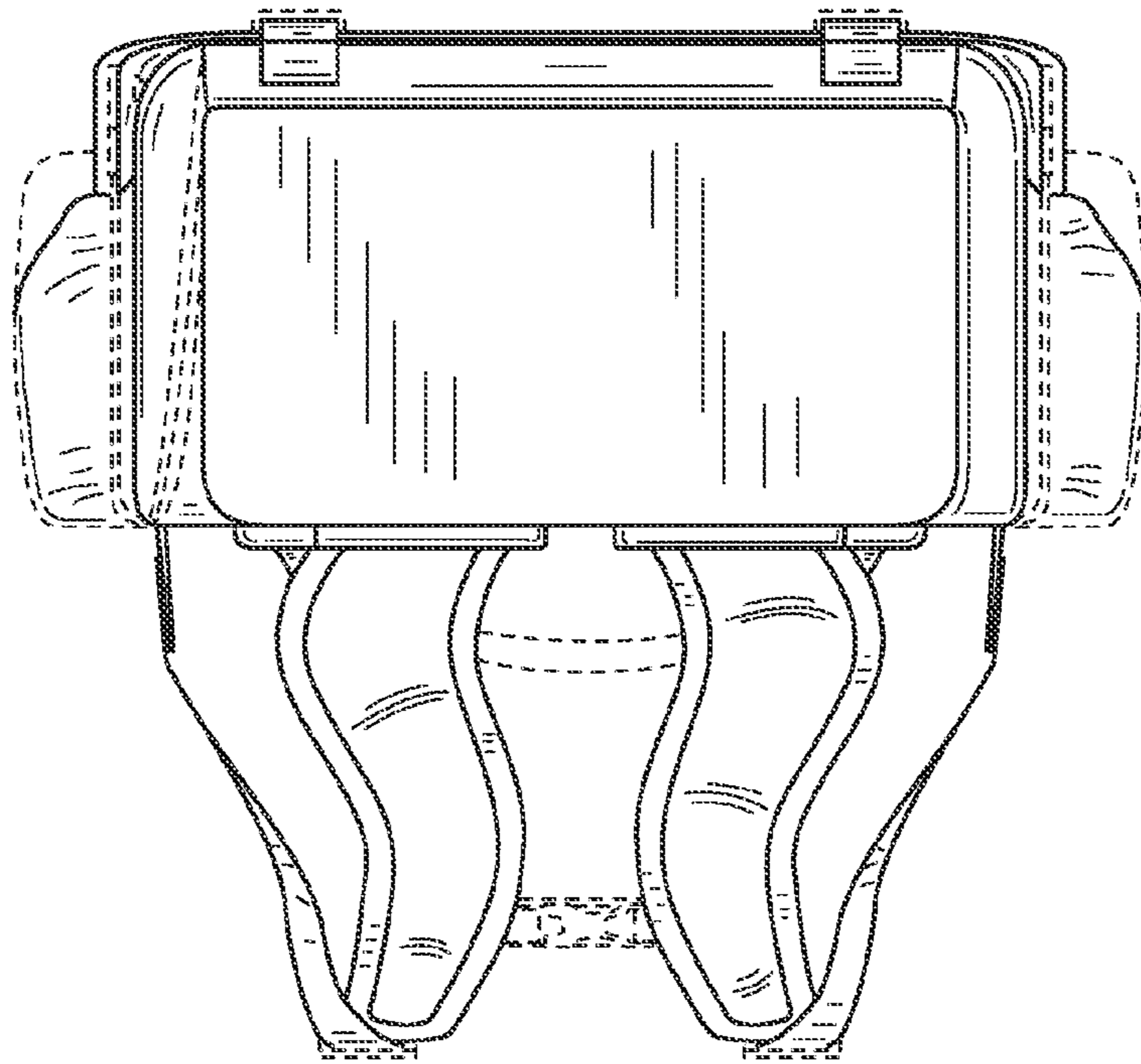


FIG.7