



US00D746046S

(12) **United States Design Patent**
Lee

(10) **Patent No.:** **US D746,046 S**
(45) **Date of Patent:** **** Dec. 29, 2015**

- (54) **PILL BOX**
- (71) Applicant: **Ming-Kun Lee**, Taipei (TW)
- (72) Inventor: **Ming-Kun Lee**, Taipei (TW)
- (**) Term: **14 Years**
- (21) Appl. No.: **29/509,305**
- (22) Filed: **Nov. 17, 2014**
- (51) **LOC (10) Cl.** **03-01**
- (52) **U.S. Cl.**
USPC **D3/203.3**
- (58) **Field of Classification Search**
USPC D3/201-205; 206/532-540
See application file for complete search history.

D451,666 S *	12/2001	Zastrow	D3/203.3
D458,016 S *	6/2002	Christianson	D3/203.4
D473,786 S *	4/2003	Chue	D3/203.4
D488,618 S *	4/2004	Wekstein	D3/203.3
7,128,213 B2 *	10/2006	Tung	A61J 7/04 206/538
D563,095 S *	3/2008	Sabbag	D3/203.3
D663,113 S *	7/2012	Simms	D3/203.3

* cited by examiner

Primary Examiner — Catheri Oliver-Garcia

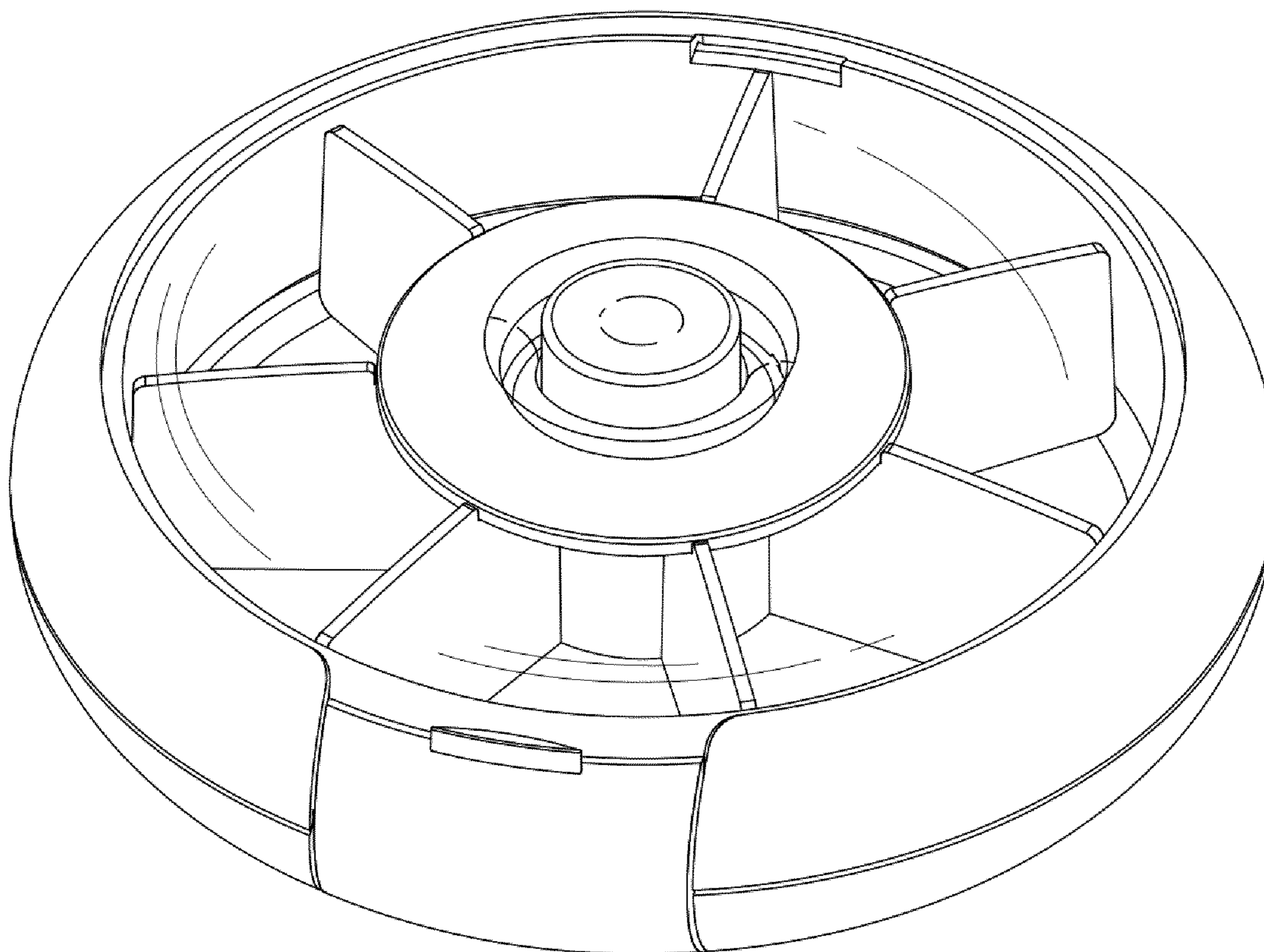
(57) **CLAIM**
The ornamental design for a pill box, as show and described.

DESCRIPTION

FIG. 1 is a perspective view of a pill box showing my new design;
FIG. 2 is a front elevational view thereof;
FIG. 3 is a rear elevational view thereof;
FIG. 4 is a left side view thereof;
FIG. 5 is a right side view thereof;
FIG. 6 is a top plan view thereof; and,
FIG. 7 is a bottom plan view thereof.

1 Claim, 4 Drawing Sheets

- (56) **References Cited**
U.S. PATENT DOCUMENTS
2,171,675 A * 9/1939 Travnitschek B44D 3/04
206/534
4,261,468 A * 4/1981 Krebs B65D 83/0454
206/538



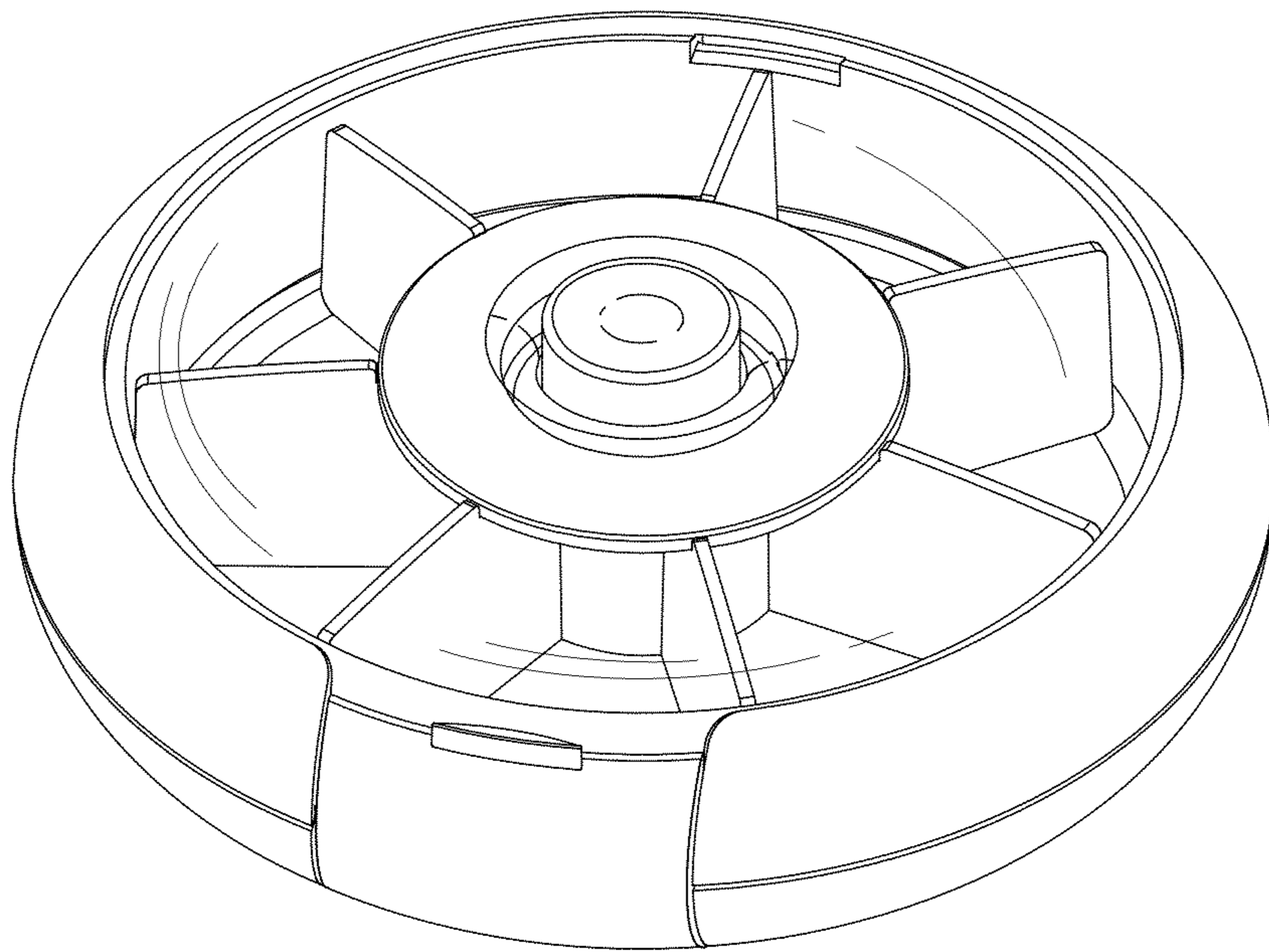


FIG. 1

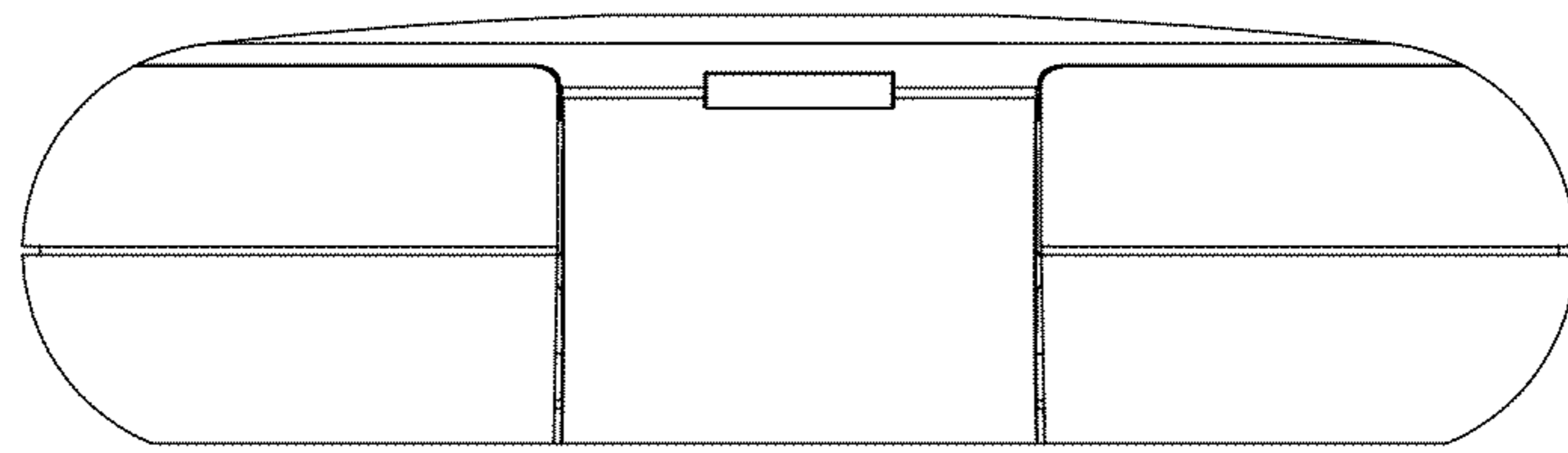


FIG. 2

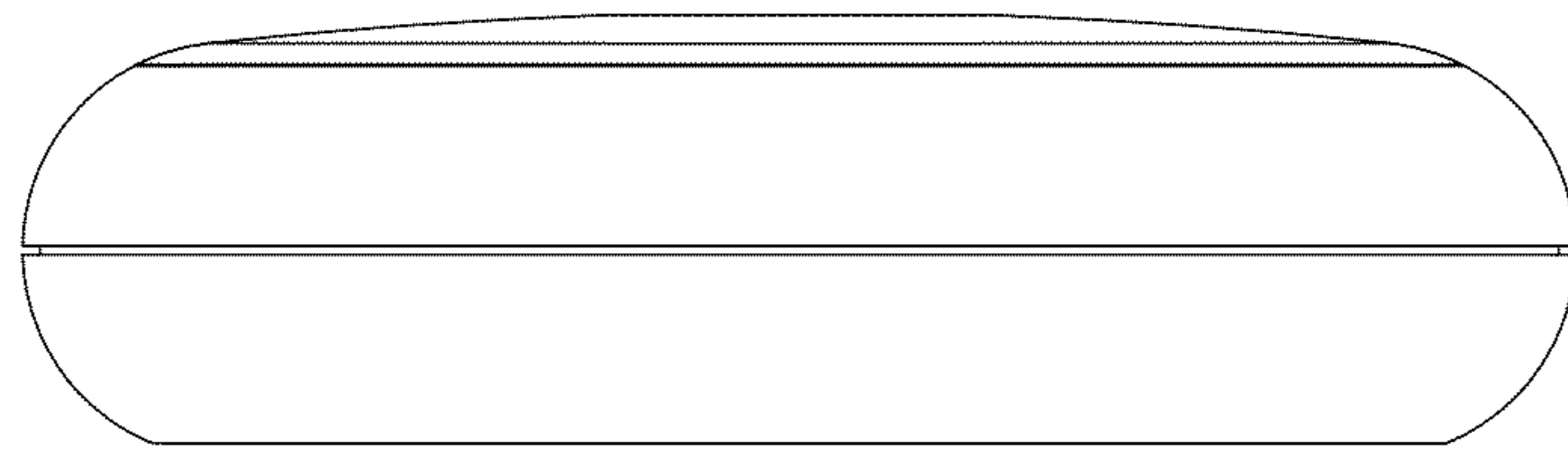


FIG. 3

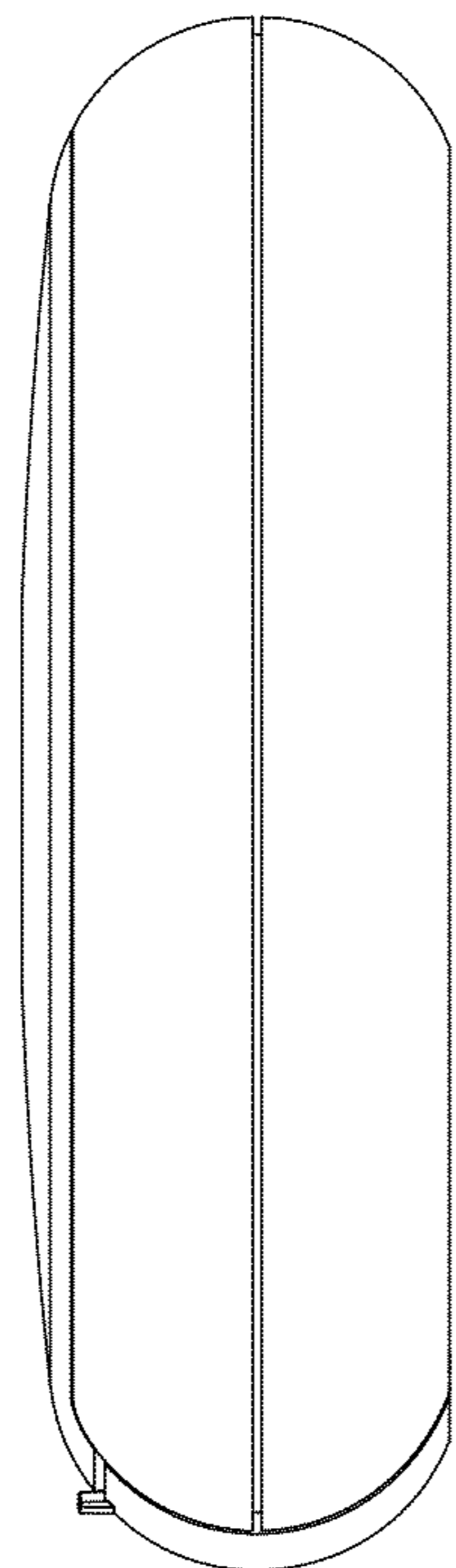


FIG. 5

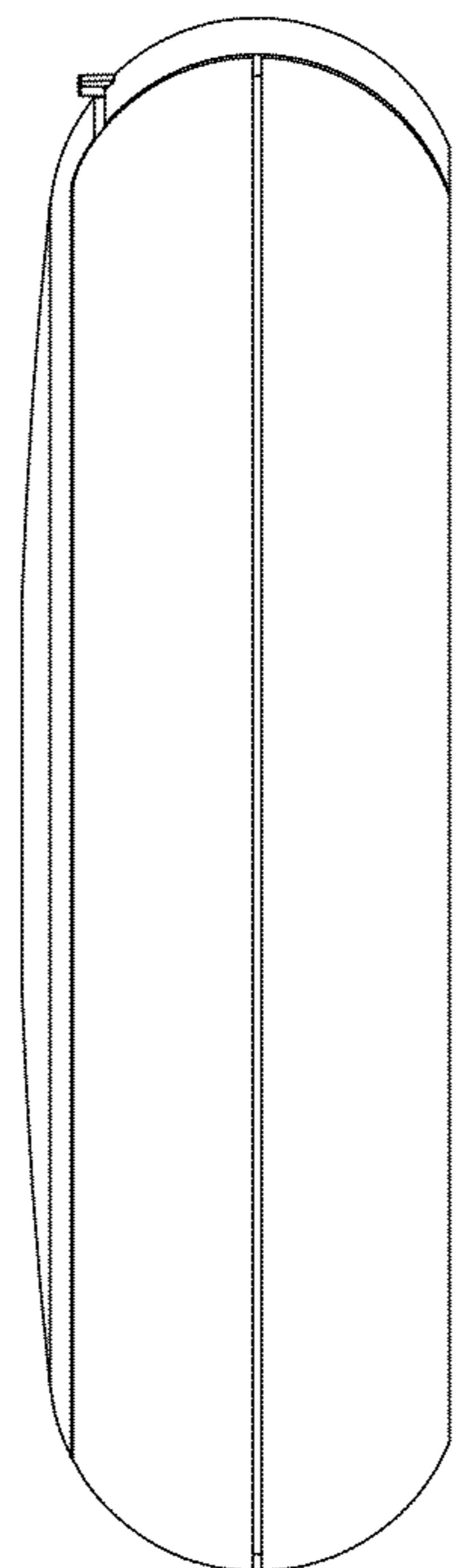


FIG. 4

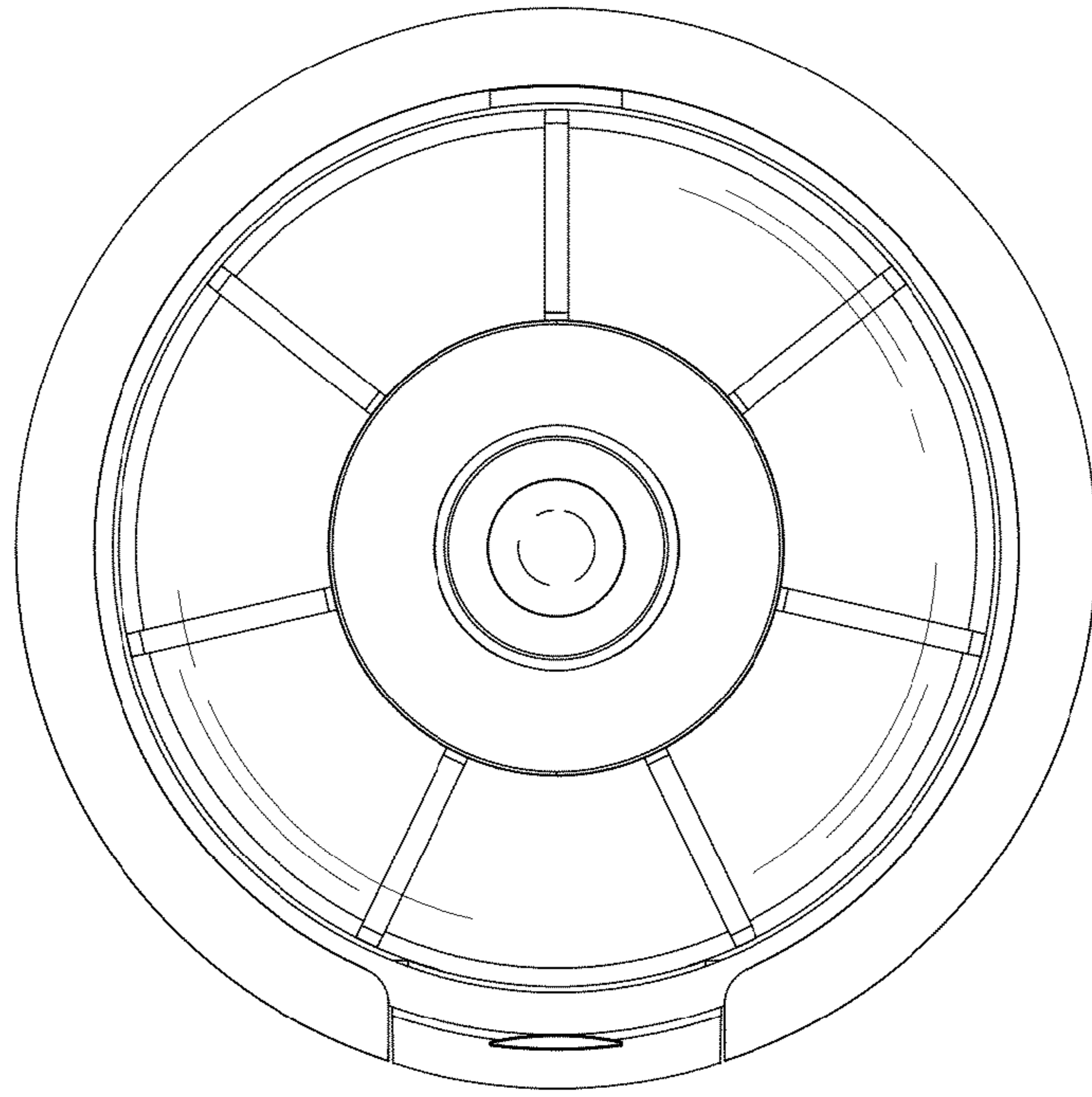


FIG. 6

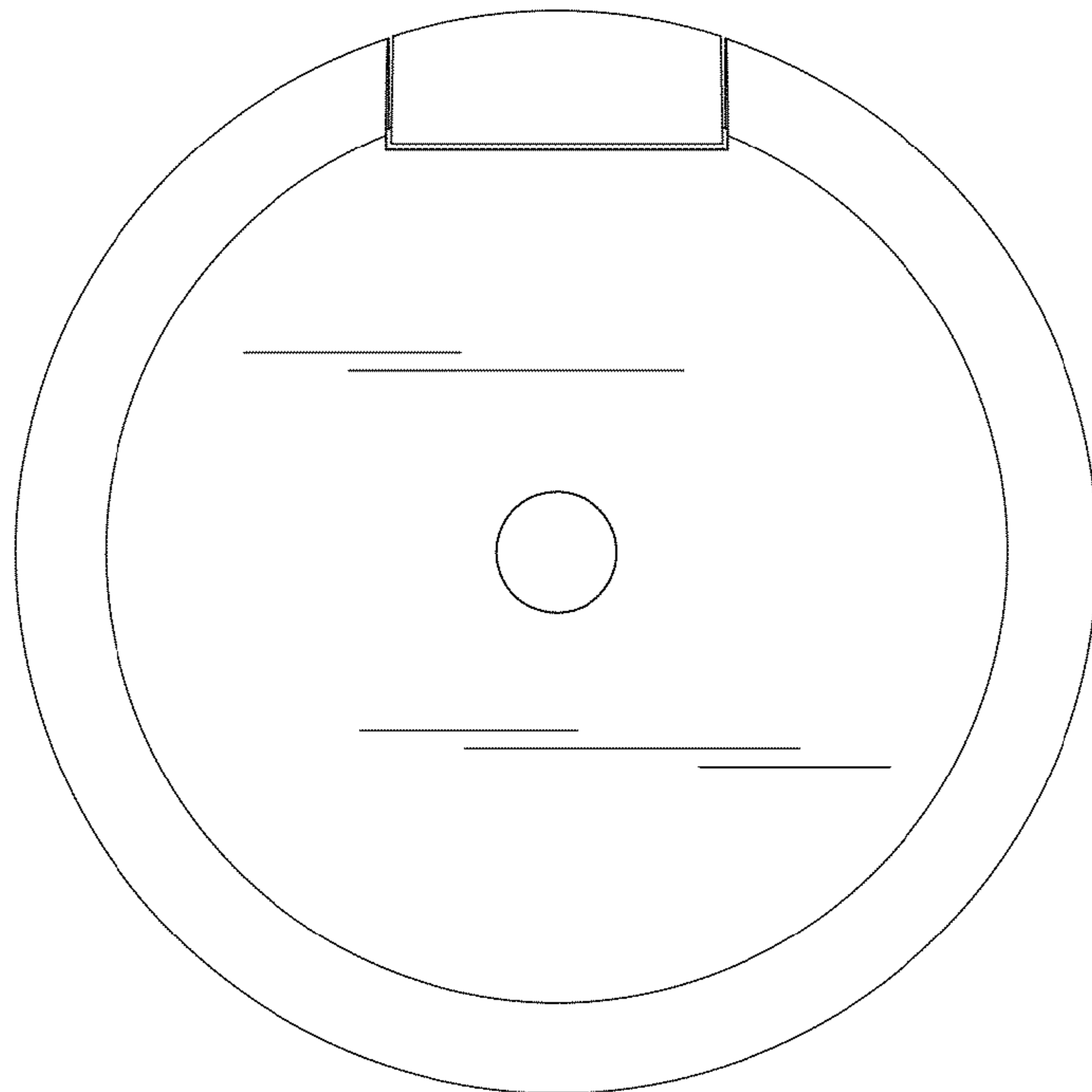


FIG. 7