



US00D746042S

(12) **United States Design Patent**
Kerr et al.

(10) **Patent No.:** **US D746,042 S**

(45) **Date of Patent:** **** Dec. 29, 2015**

(54) **UMBRELLA HANDLE**

(71) Applicant: **totes Isotoner Corporation**, Cincinnati, OH (US)

(72) Inventors: **Julie Kerr**, Cincinnati, OH (US); **Ann S. Headley**, Cincinnati, OH (US)

(73) Assignee: **TOTES ISOTONER CORPORATION**, Cincinnati, OH (US)

(**) Term: **14 Years**

(21) Appl. No.: **29/497,539**

(22) Filed: **Jul. 25, 2014**

(51) **LOC (10) Cl.** **03-03**

(52) **U.S. Cl.**
USPC **D3/12**

(58) **Field of Classification Search**
USPC D3/5-17; D12/179; D26/38; D8/300, D8/313; 135/44, 24, 16, 17, 19.5, 20 R, 135/20 A, 20 M, 25 R; 74/489, 523, 475, 74/473 R
CPC A45B 25/12; A45B 25/143; A45B 3/00; A45B 21/00; A45B 13/00; B62L 3/02; G05G 1/04

See application file for complete search history.

(56) **References Cited**

U.S. PATENT DOCUMENTS

1,042,417	A	*	10/1912	Erickson	135/44
D232,598	S	*	8/1974	Weber	D3/12
D248,510	S	*	7/1978	DiVito	D3/12
D284,713	S	*	7/1986	Brinker	D3/12
D287,190	S	*	12/1986	Cain	D3/12
D287,191	S	*	12/1986	Cain	D3/12
D287,192	S	*	12/1986	Cain	D3/12
D291,261	S	*	8/1987	Cain	D3/12
D309,372	S	*	7/1990	Cain	D3/12
D309,825	S	*	8/1990	Cain	D3/12

D312,348	S	*	11/1990	Cain	D3/12
D316,777	S	*	5/1991	Cain	D3/12
D317,976	S	*	7/1991	Cain	D3/12

(Continued)

FOREIGN PATENT DOCUMENTS

CN	301454648	*	2/2011
KR	300409183.0001	*	7/2006

OTHER PUBLICATIONS

Fold Umbrella Wood Handle, Announced Apr. 2, 2013, [Site Visited Aug. 3, 2015] http://www.diytrade.com/china/pd/9037685/Fold_umbrella_wood_handle.html.*

(Continued)

Primary Examiner — Eric Goodman

Assistant Examiner — Luqman McNeil

(74) *Attorney, Agent, or Firm* — Frost Brown Todd LLC

(57) **CLAIM**

The ornamental design for an umbrella handle, as shown and described.

DESCRIPTION

FIG. 1 is a perspective view of an umbrella handle showing a new design.

FIG. 2 is a front elevation view of the handle of FIG. 1.

FIG. 3 is a rear elevation view of the handle of FIG. 1.

FIG. 4 is a side elevation view of the handle of FIG. 1, the opposite side being a mirror image thereof.

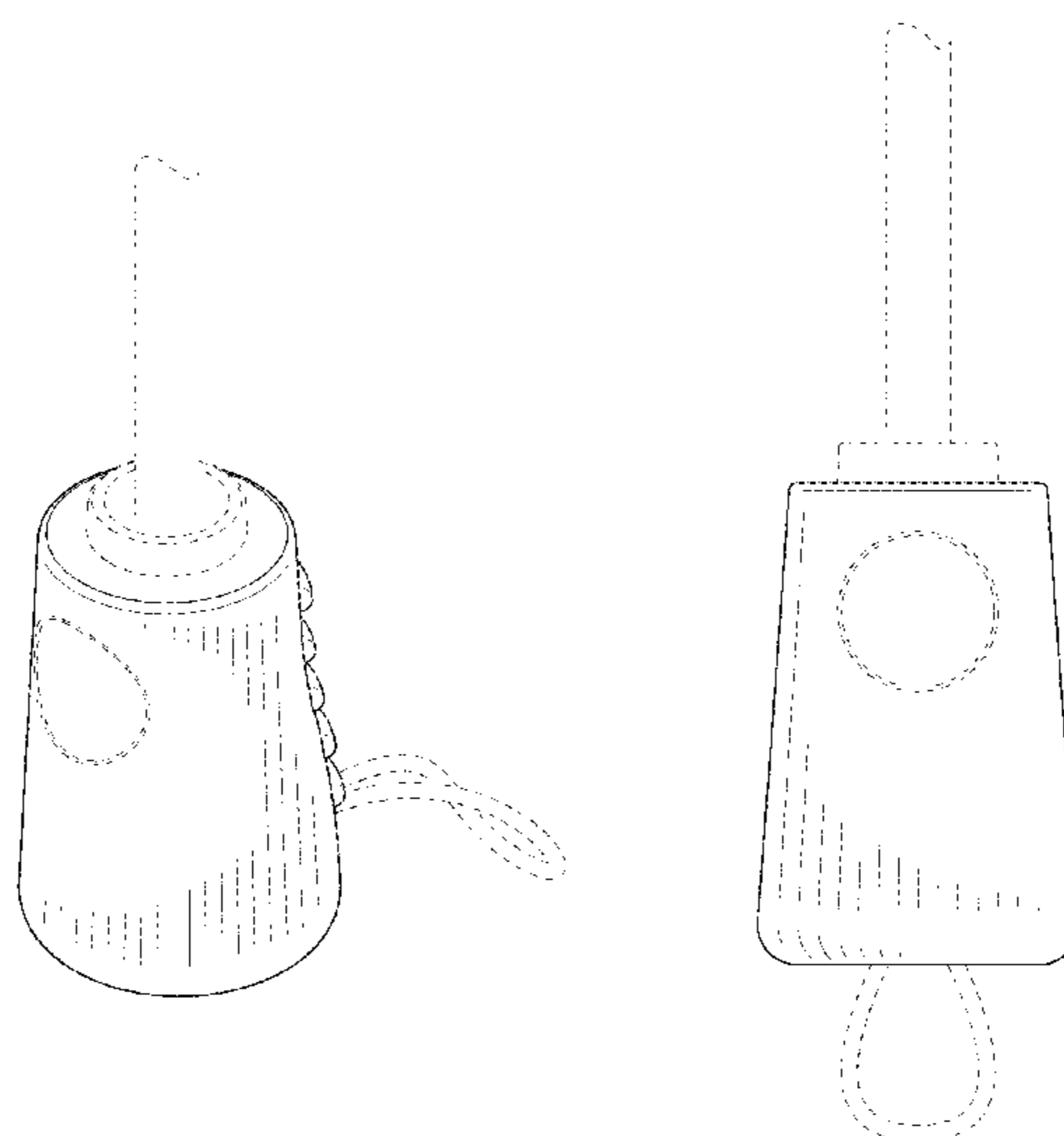
FIG. 5 is a top plan view of the handle of FIG. 1; and,

FIG. 6 is a bottom plan view of the handle of FIG. 1.

The broken lines in the drawings are included for purposes of illustrating portions of the umbrella handles that form no part of the claimed design.

The claimed device is used as a handle for an umbrella.

1 Claim, 3 Drawing Sheets



(56)

References Cited

U.S. PATENT DOCUMENTS

D321,428 S * 11/1991 Cain D3/12
D321,592 S * 11/1991 Cain D3/12
D321,780 S * 11/1991 Cain D3/12
D369,462 S * 5/1996 Cain D3/12
D415,611 S * 10/1999 Doster D3/12
D416,525 S * 11/1999 Sacco et al. D12/179
D450,441 S * 11/2001 Chen D3/12
D473,708 S * 4/2003 Headley D3/12
D485,056 S * 1/2004 Headley D3/12
6,779,536 B2 * 8/2004 Kuo 135/24
D518,949 S * 4/2006 Wang D3/12
D551,845 S * 10/2007 Headley D3/12

D552,341 S * 10/2007 Headley D3/12
D560,065 S * 1/2008 Rothbucher D3/12
D589,247 S * 3/2009 Headley D3/12
D648,933 S * 11/2011 Roher et al. D3/12
D659,379 S * 5/2012 Headley D3/12
D670,901 S * 11/2012 Rothbucher et al. D3/10
D677,878 S * 3/2013 Headley D3/12
D692,652 S * 11/2013 Headley et al. D3/12

OTHER PUBLICATIONS

Sword Handle Umbrella—Oddity Mall, Announced Oct. 23, 2013, [Site Visited Aug. 3, 2015] <http://odditymall.com/sword-handle-umbrella>.*

* cited by examiner

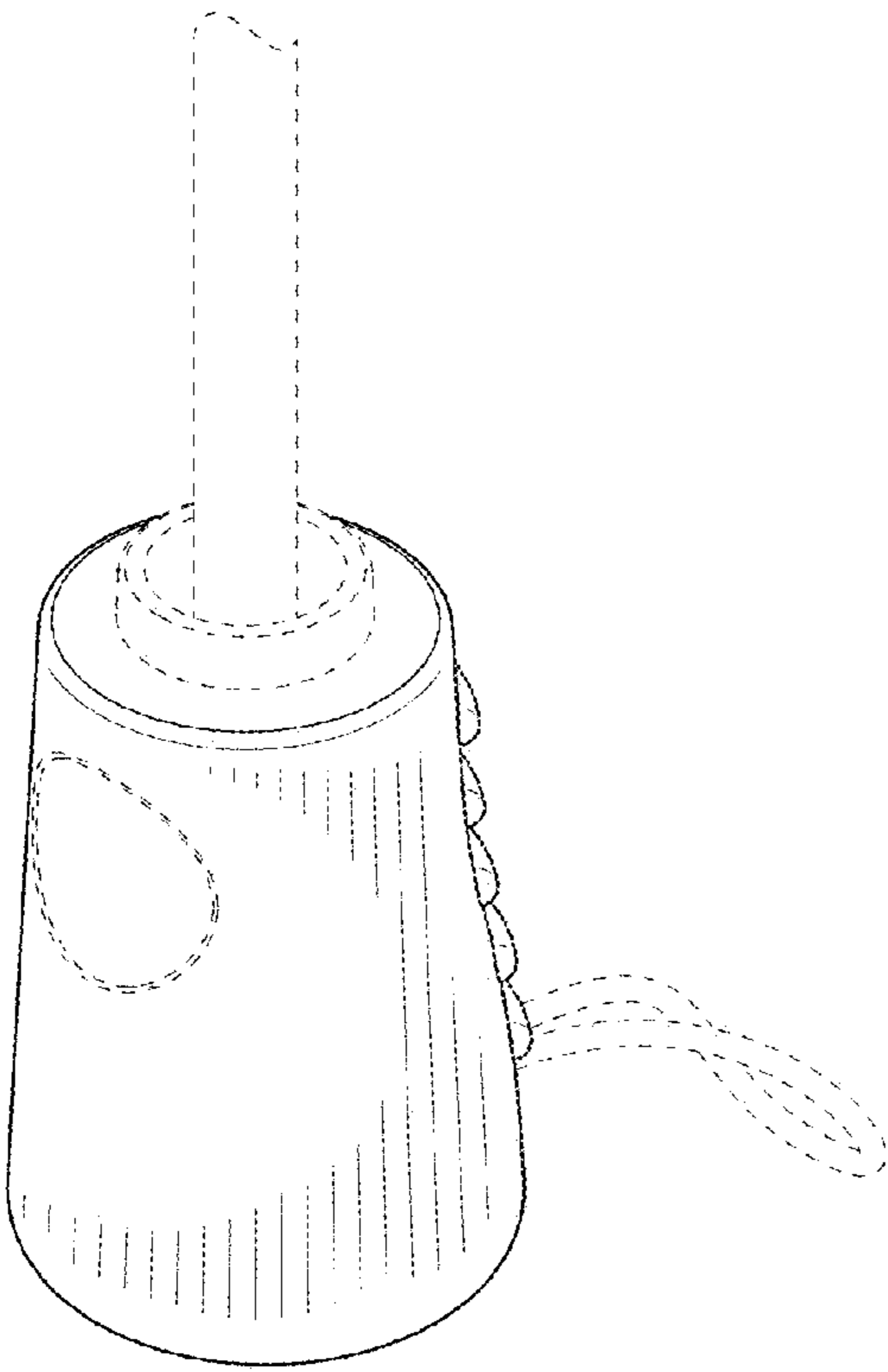


FIG. 1

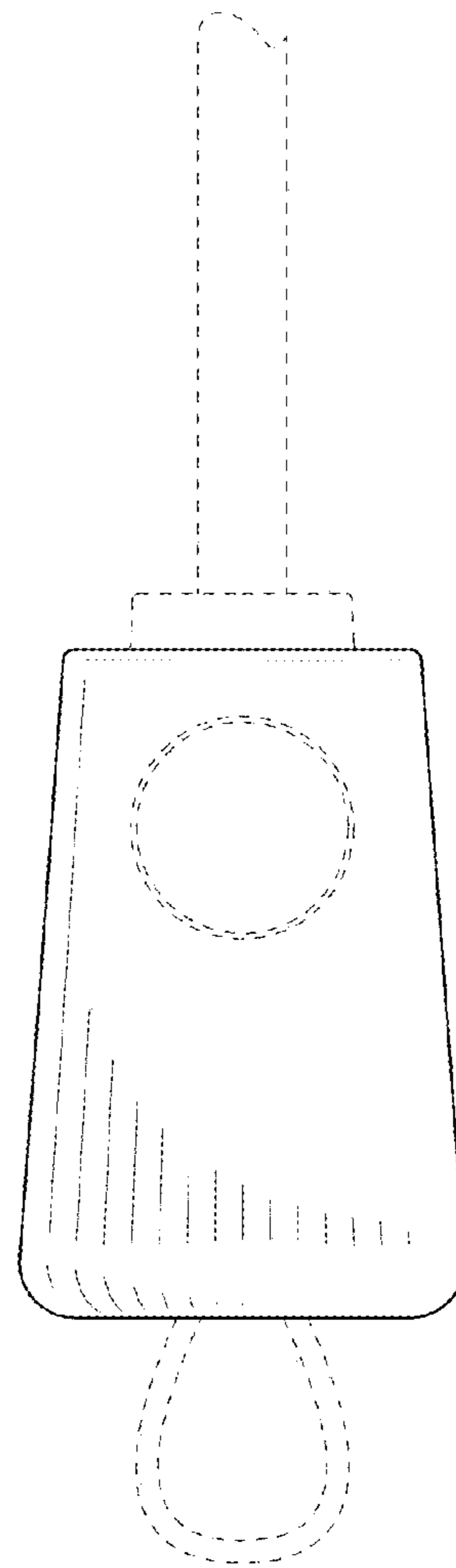


FIG. 2

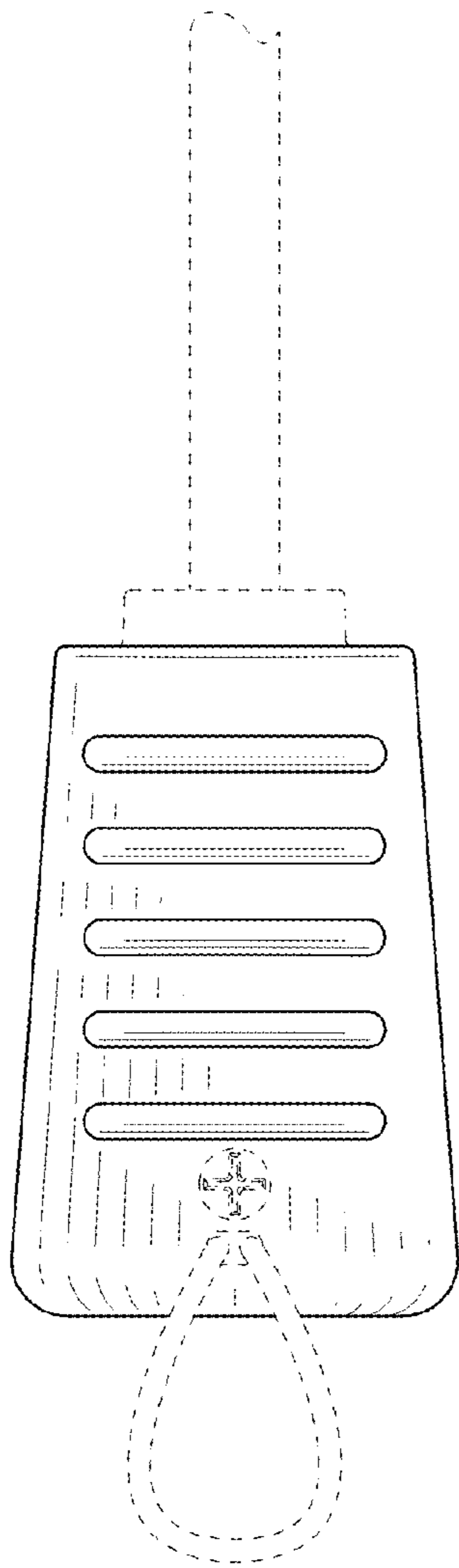


FIG. 3

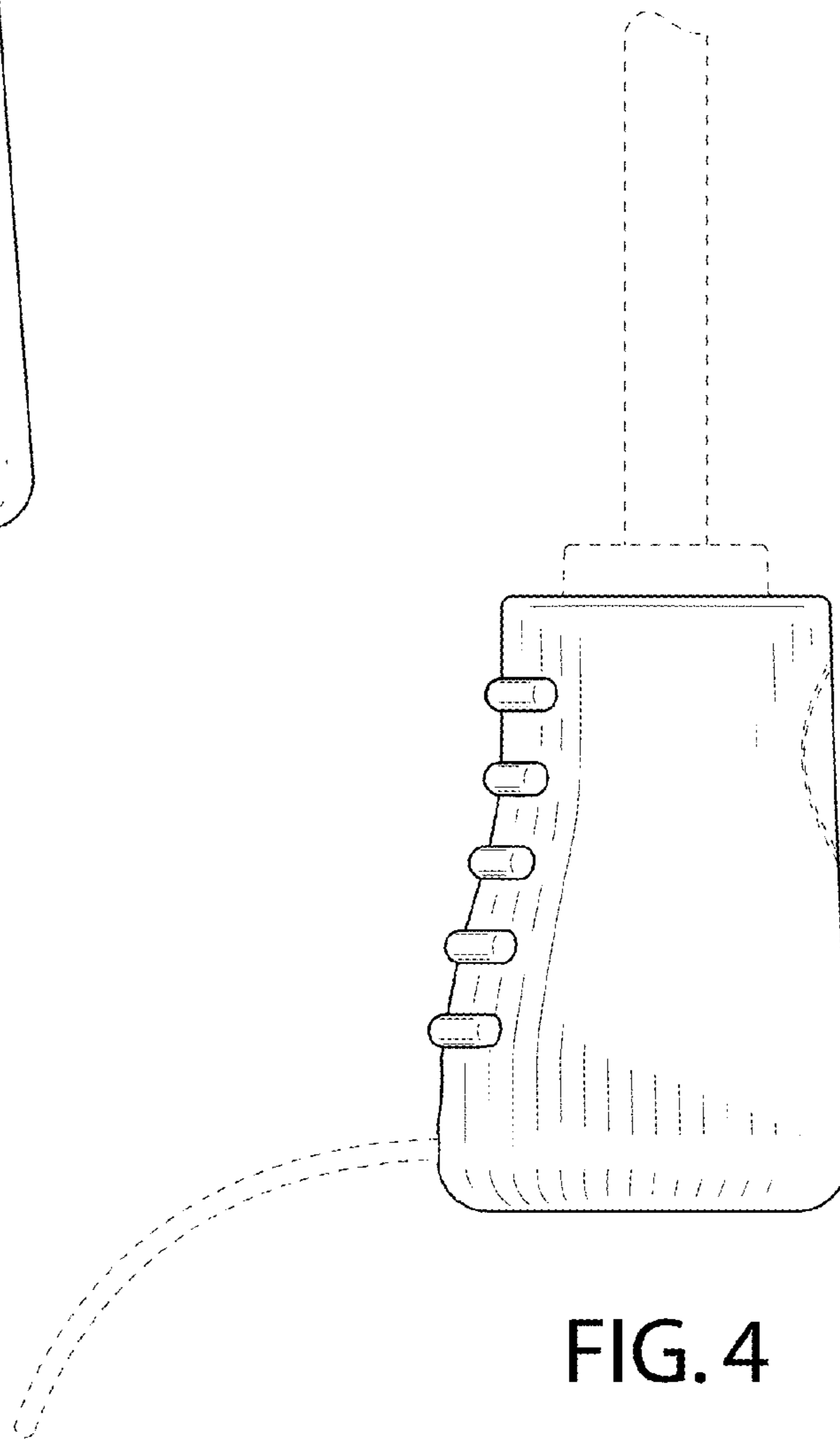


FIG. 4

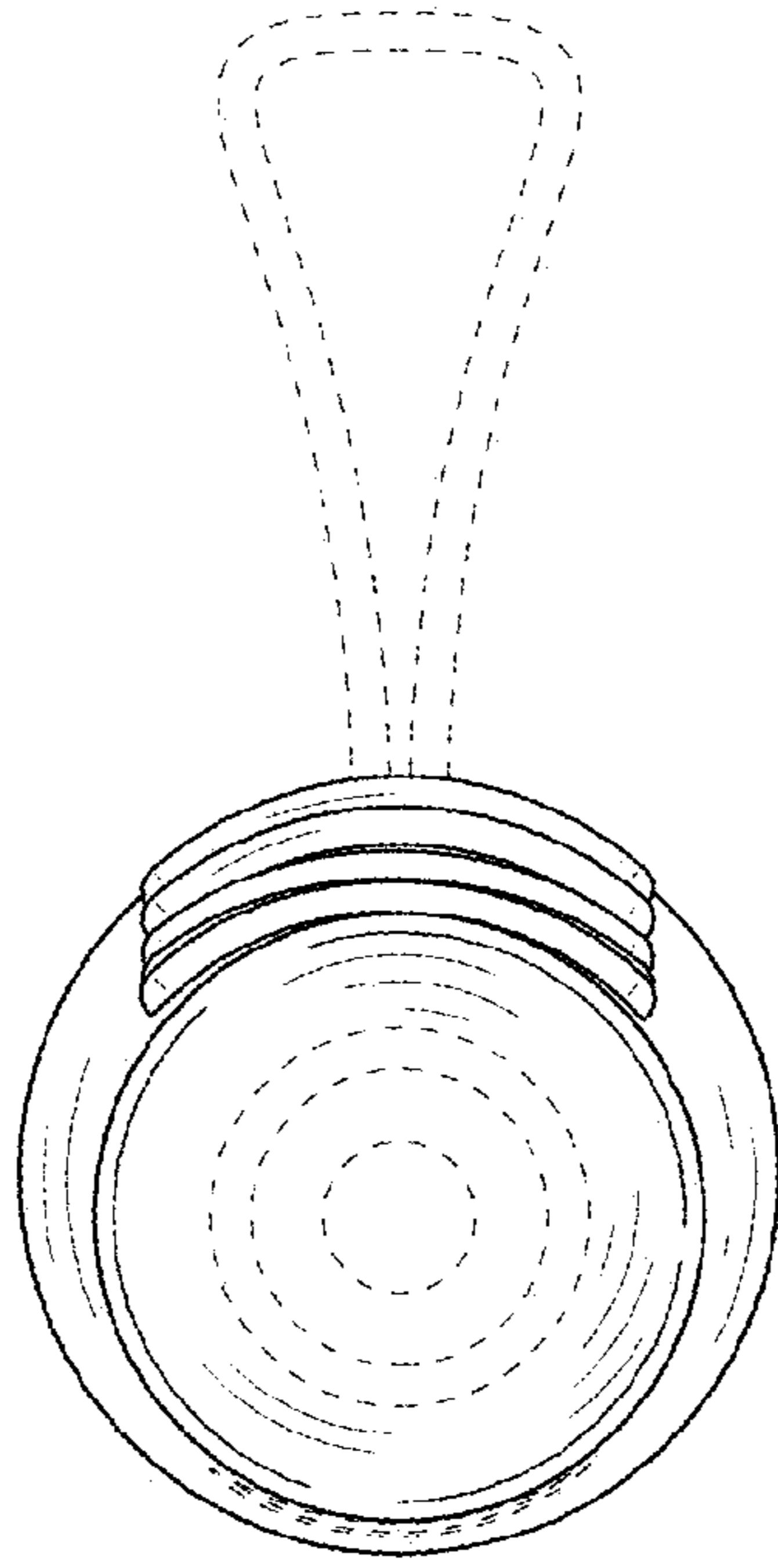


FIG. 5

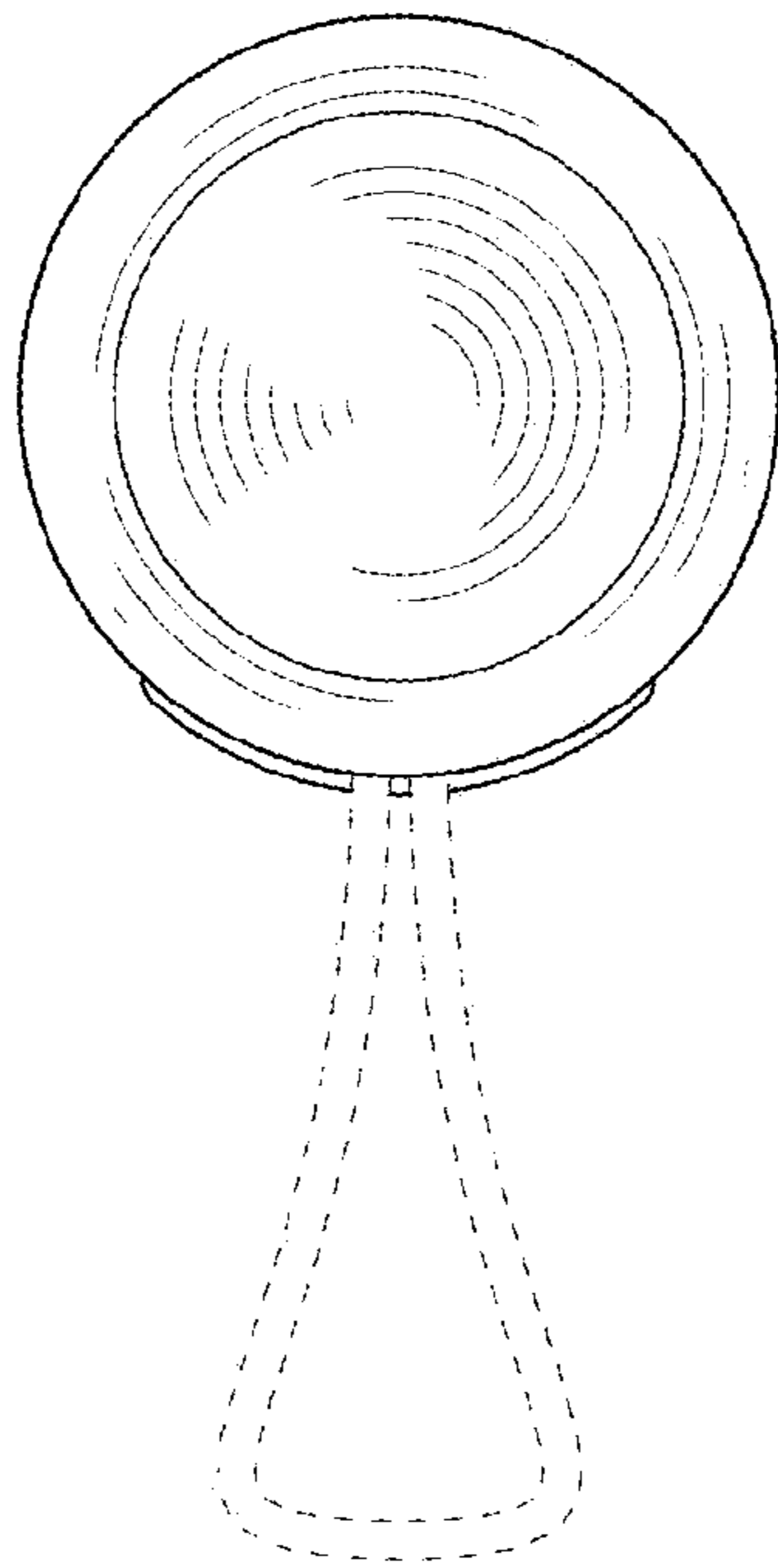


FIG. 6