



US00D746025S

(12) **United States Design Patent**
Costanzo

(10) **Patent No.:** **US D746,025 S**

(45) **Date of Patent:** **** Dec. 29, 2015**

(54) **SKIRT**

(76) **Inventor:** **Deanna Paula Costanzo**, Port Jefferson, NY (US)

(**) **Term:** **14 Years**

(21) **Appl. No.:** **29/430,037**

(22) **Filed:** **Aug. 20, 2012**

(51) **LOC (10) Cl.** **02-02**

(52) **U.S. Cl.**
USPC **D2/851**

(58) **Field of Classification Search**

USPC D2/857, 742-743, 747-748, 712, 713, D2/731-738, 983, 706-710, 750, 752, 790, D2/821, 840, 851-852, 860-861; 2/47, 67, 2/69-70, 1, 71, 73-76, 78.1, 78-83, 103, 2/104-109, 113, 133, 211-213, 400, 220, 2/223, 403-404, 406, 227, 228, 244, 266, 2/234-238, 269, 316, 919, 247; 223/1.1; 450/65, 69

CPC A41B 9/00; A41B 9/002; A41B 9/08; A41B 9/06; A41B 9/10; A41B 1/04; A41B 1/06; A41C 3/0014; A41C 3/00; A41C 3/08; A41D 1/00; A41D 1/22; A41D 1/06; A41D 1/18; A41D 3/00; A41D 3/06; A41D 7/00; A41D 10/00; A41D 11/00; A41D 13/00; A41D 15/00; A41D 27/00; A41D 2300/00; A41D 2400/00; A41D 2500/00; A41D 2600/00; A41D 7/005; A41D 2400/24; A41D 2400/38; A41D 15/02; D04B 1/246; D04B 1/102; D04B 1/22; D04B 1/24; D06H 5/00; D06H 5/007; A41F 15/002; A41F 9/08

See application file for complete search history.

(56) **References Cited**

U.S. PATENT DOCUMENTS

1,859,900 A * 5/1932 Dawes 2/407
D119,360 S * 3/1940 Katz D2/790
D133,807 S * 9/1942 Cutler D2/790

4,176,408 A * 12/1979 de Polo 2/69
4,332,033 A * 6/1982 Frank 2/105
4,531,525 A * 7/1985 Richards 450/65
5,088,116 A * 2/1992 Gould 2/82
D402,439 S * 12/1998 Marks D2/757
D402,440 S * 12/1998 Marks D2/851
5,944,579 A * 8/1999 Fleischman 450/69
D427,748 S * 7/2000 Shackelford D2/625
6,240,560 B1 * 6/2001 DeCaro 2/67
6,817,031 B1 * 11/2004 Gravlin 2/67
D536,159 S * 2/2007 Helbing et al. D2/851
D654,666 S * 2/2012 Helbing et al. D2/851

(Continued)

Primary Examiner — Sheryl Lane

Assistant Examiner — Nathaniel D Buckner

(74) *Attorney, Agent, or Firm* — QuickPatents; Kevin Prince

(57) **CLAIM**

I claim the ornamental design for a skirt, as shown and described.

DESCRIPTION

FIG. 1 is a rear perspective view of the first embodiment of a skirt showing my new design;

FIG. 2 is a front elevation view thereof;

FIG. 3 is a rear elevation view thereof;

FIG. 4 is a right side elevation view thereof;

FIG. 5 is a left-side elevation view thereof;

FIG. 6 is a top plan view thereof;

FIG. 7 is a bottom plan view thereof;

FIG. 8 is a rear perspective view of a second embodiment thereof;

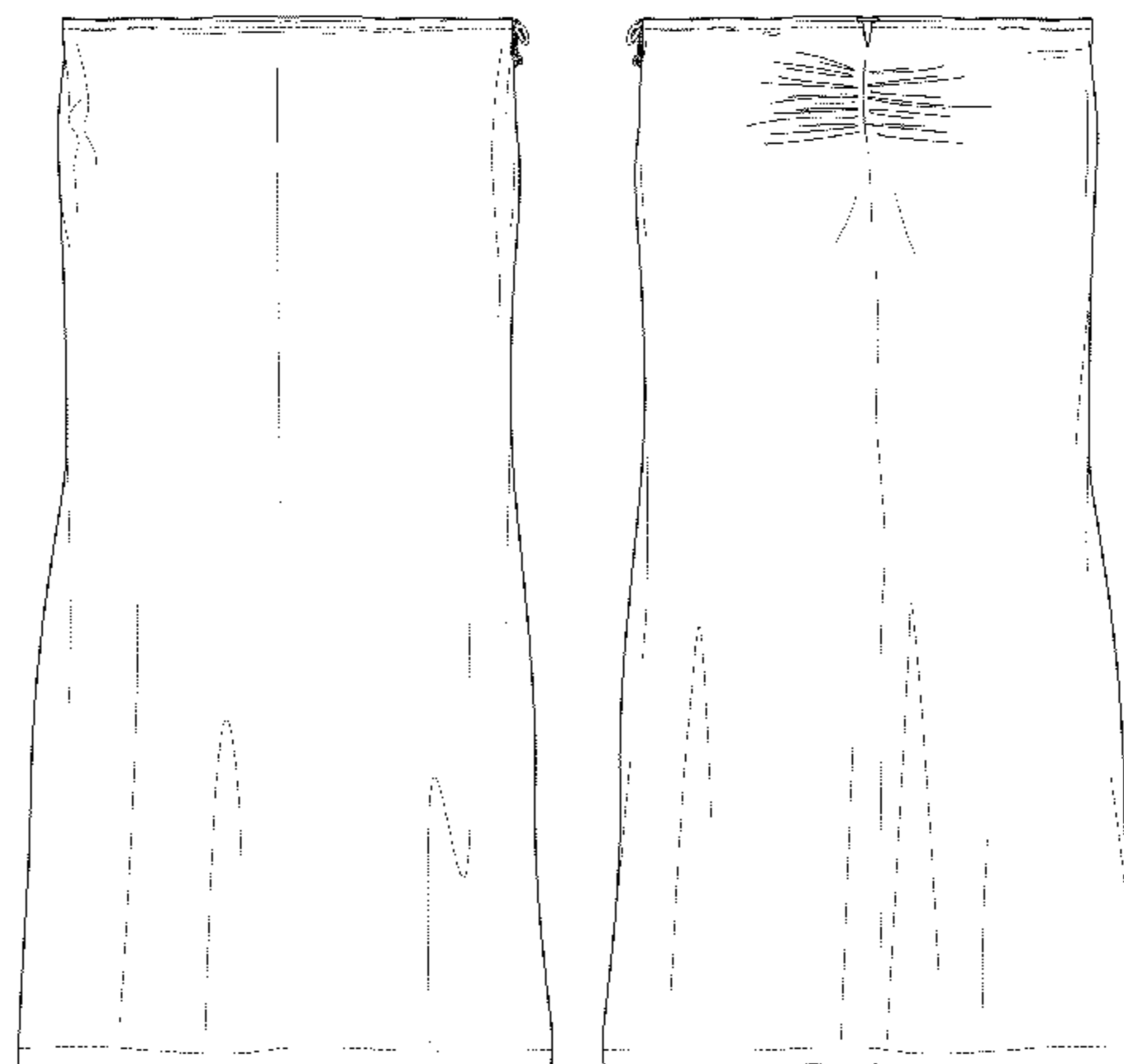
FIG. 9 is a front elevation view thereof;

FIG. 10 is a rear elevation view thereof; and,

FIG. 11 is a top plan view thereof.

The dash-dash broken lines shown in the figures depict stitching and form part of the claimed design. The dot-dash broken lines shown in the figures illustrate environmental subject matter and do not themselves form a part of the claimed design.

1 Claim, 7 Drawing Sheets



(56)

References Cited

U.S. PATENT DOCUMENTS

D679,067 S * 4/2013 Costanzo D2/712
2007/0123143 A1 * 5/2007 Morgan 450/1
2010/0192283 A1 * 8/2010 Kim 2/227

2012/0129425 A1 * 5/2012 Bevans 450/11
2014/0215690 A1 * 8/2014 Caulfield et al. 2/227
2014/0310854 A1 * 10/2014 Kianmand 2/237
2014/0359920 A1 * 12/2014 Sabin 2/406

* cited by examiner

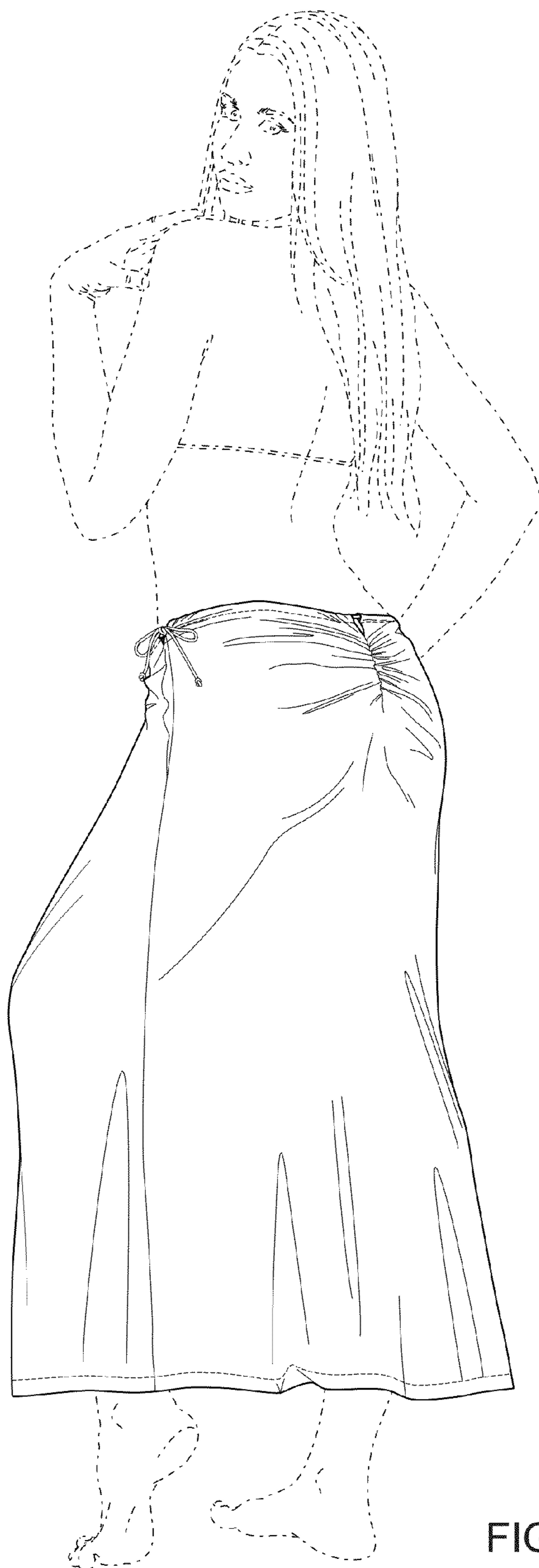


FIG. 1



FIG. 2

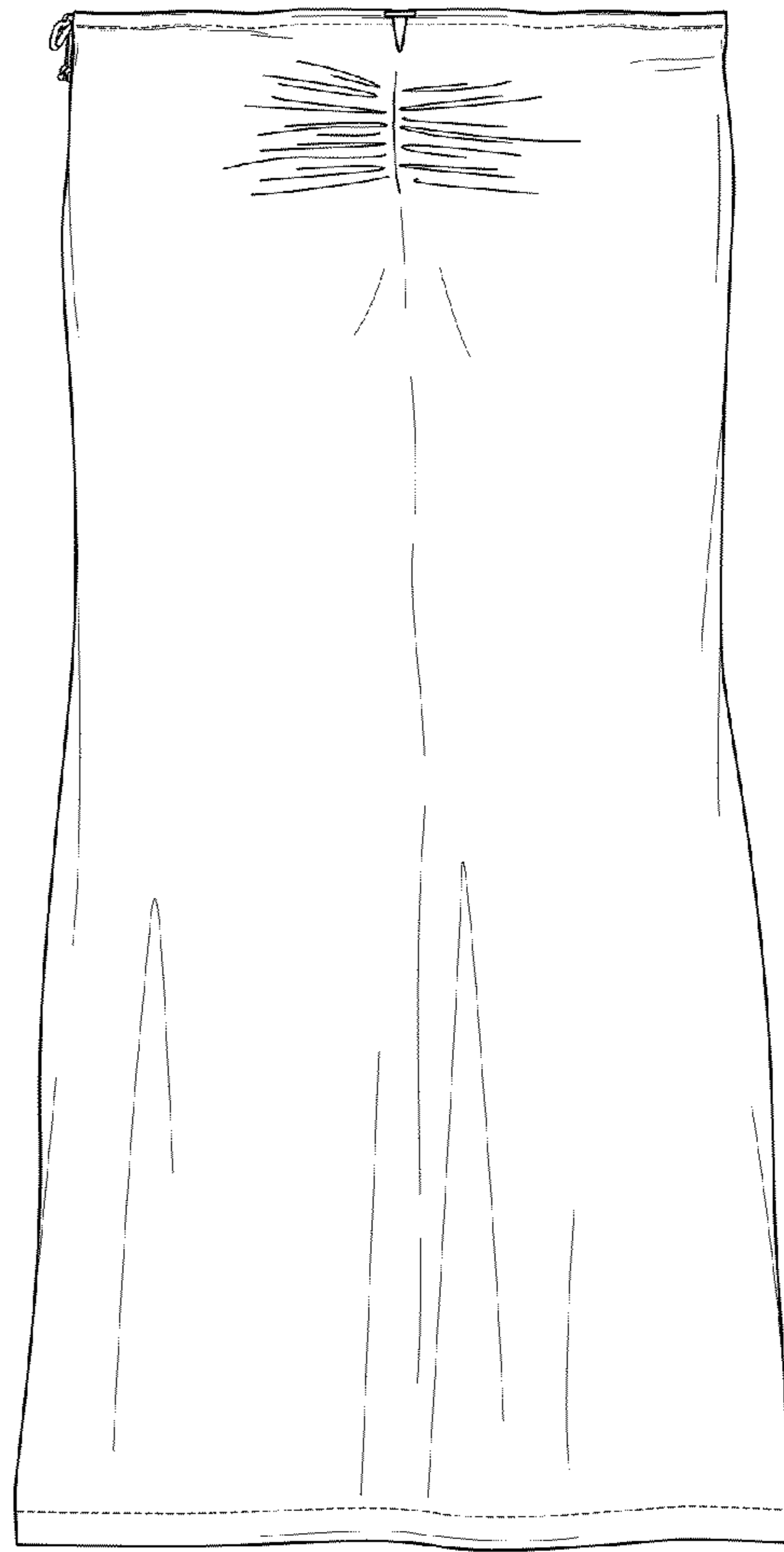


FIG. 3



FIG. 4



FIG. 5

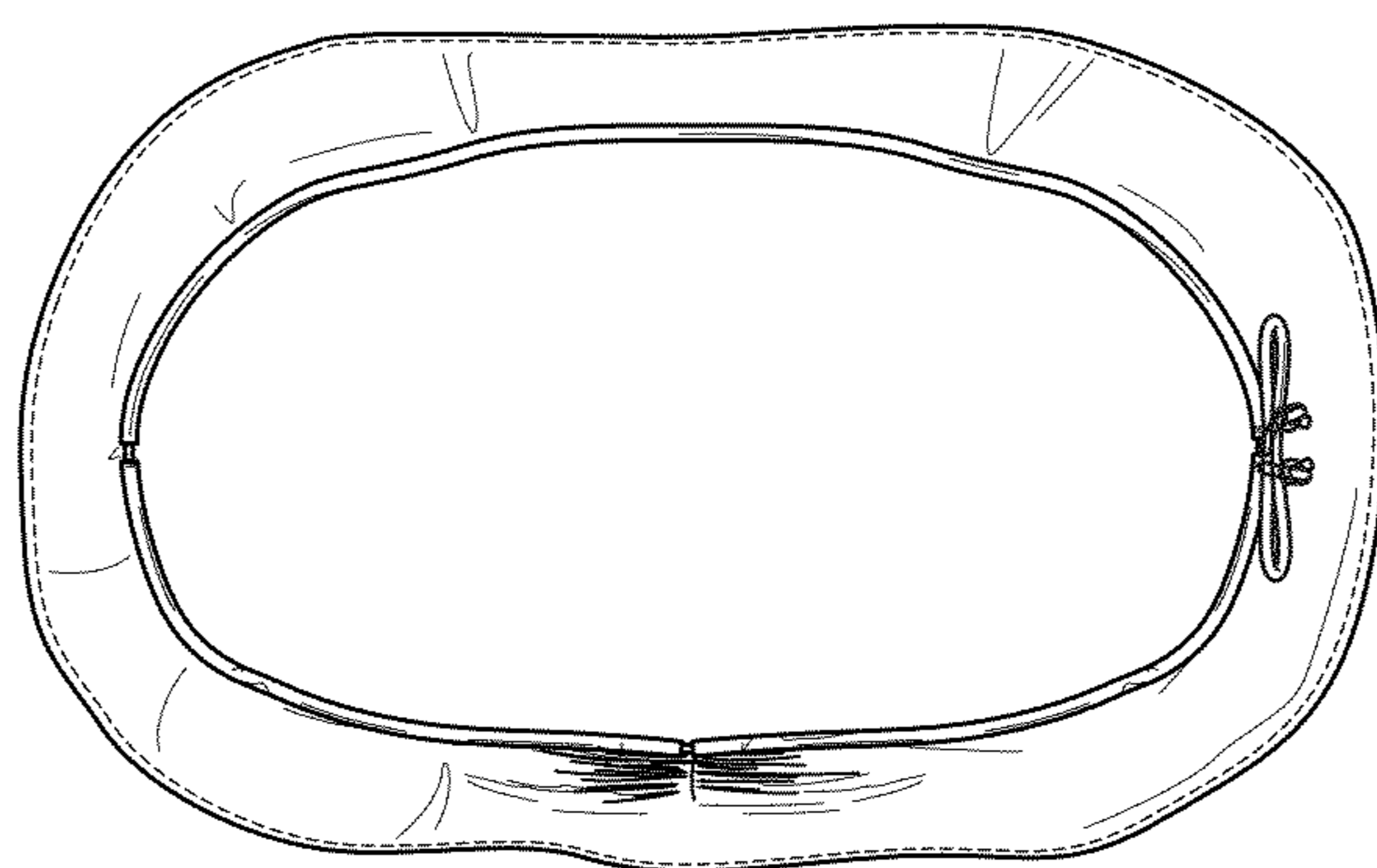


FIG. 6

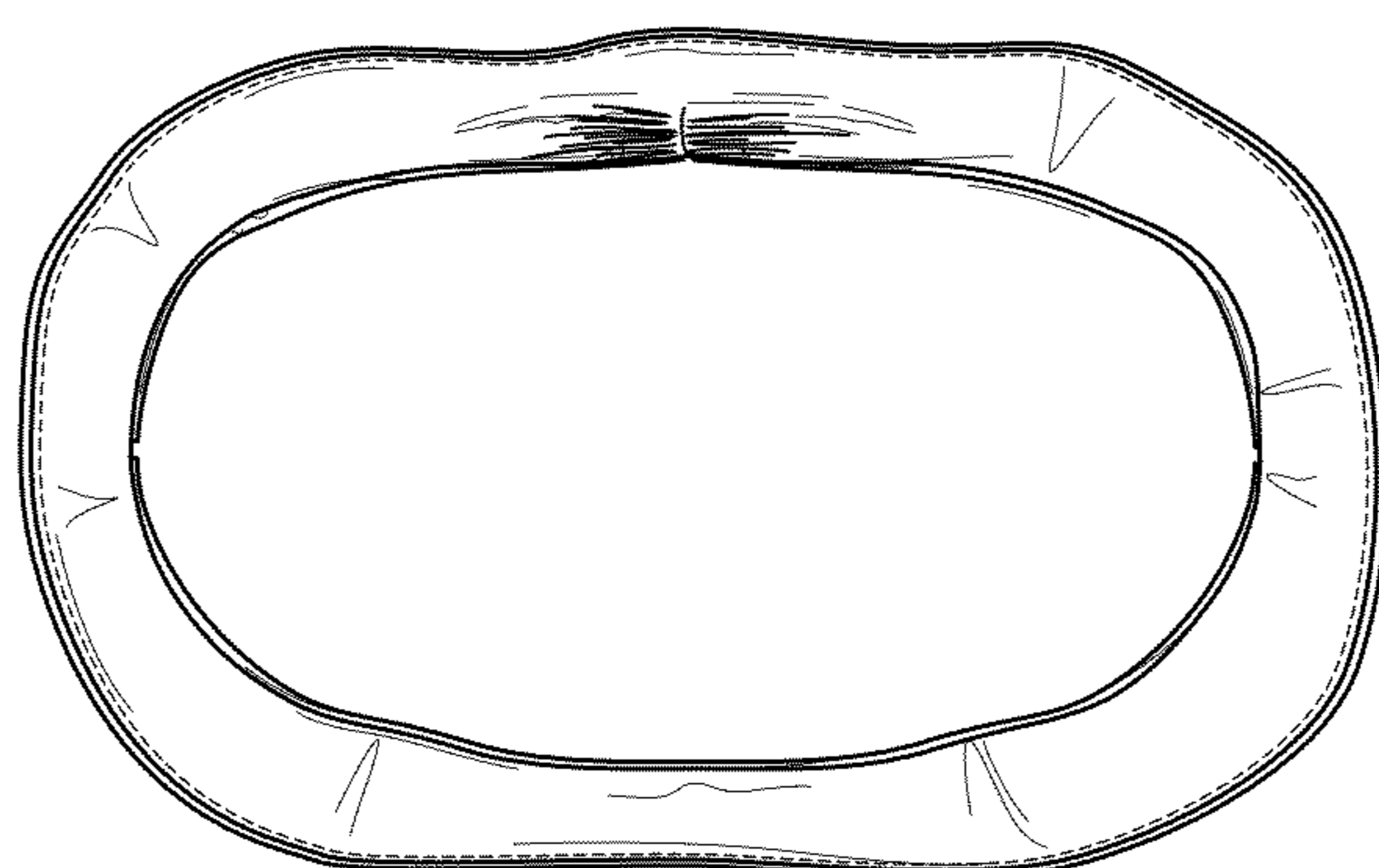


FIG. 7



FIG. 8



FIG. 9

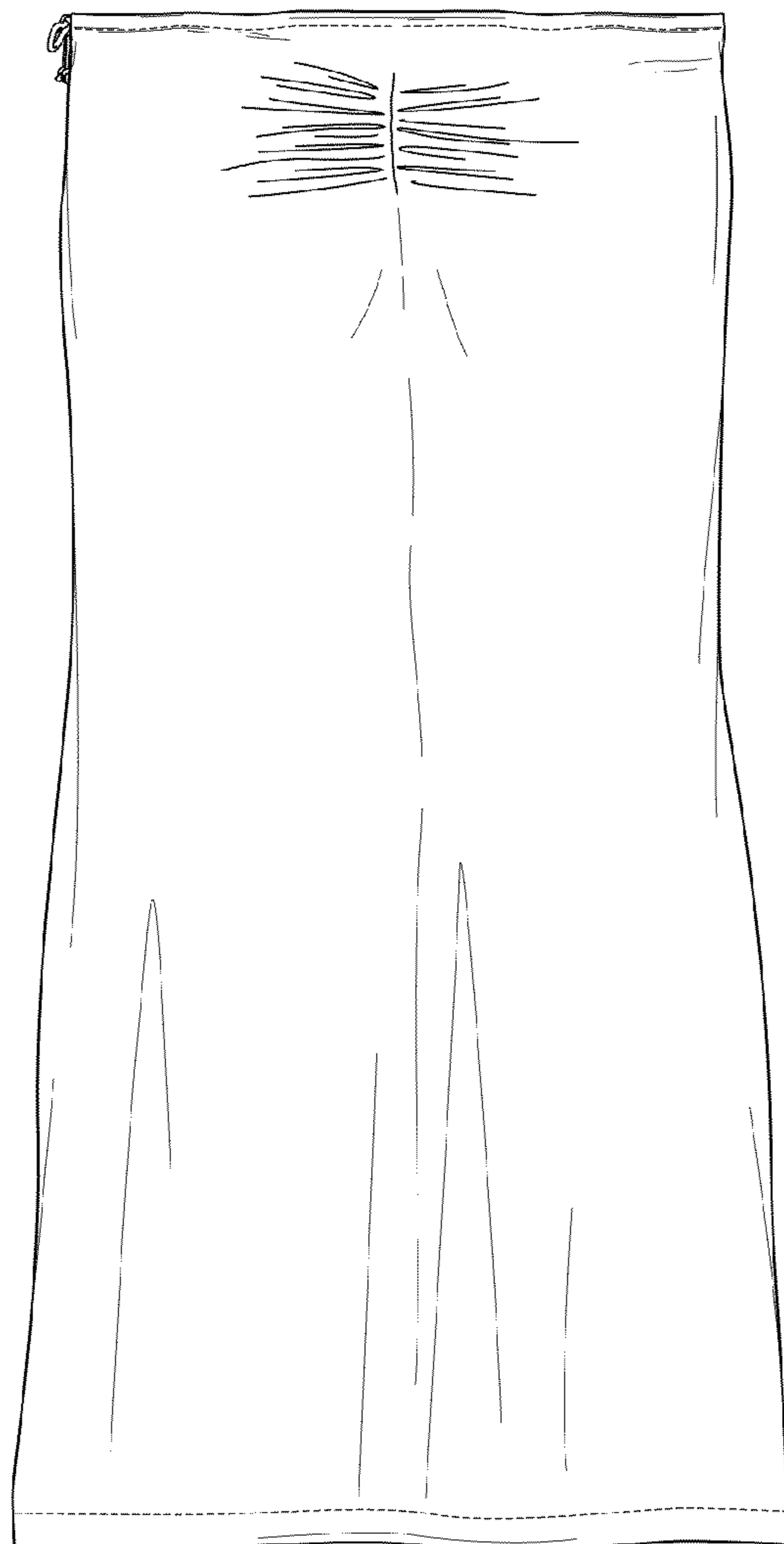


FIG. 10

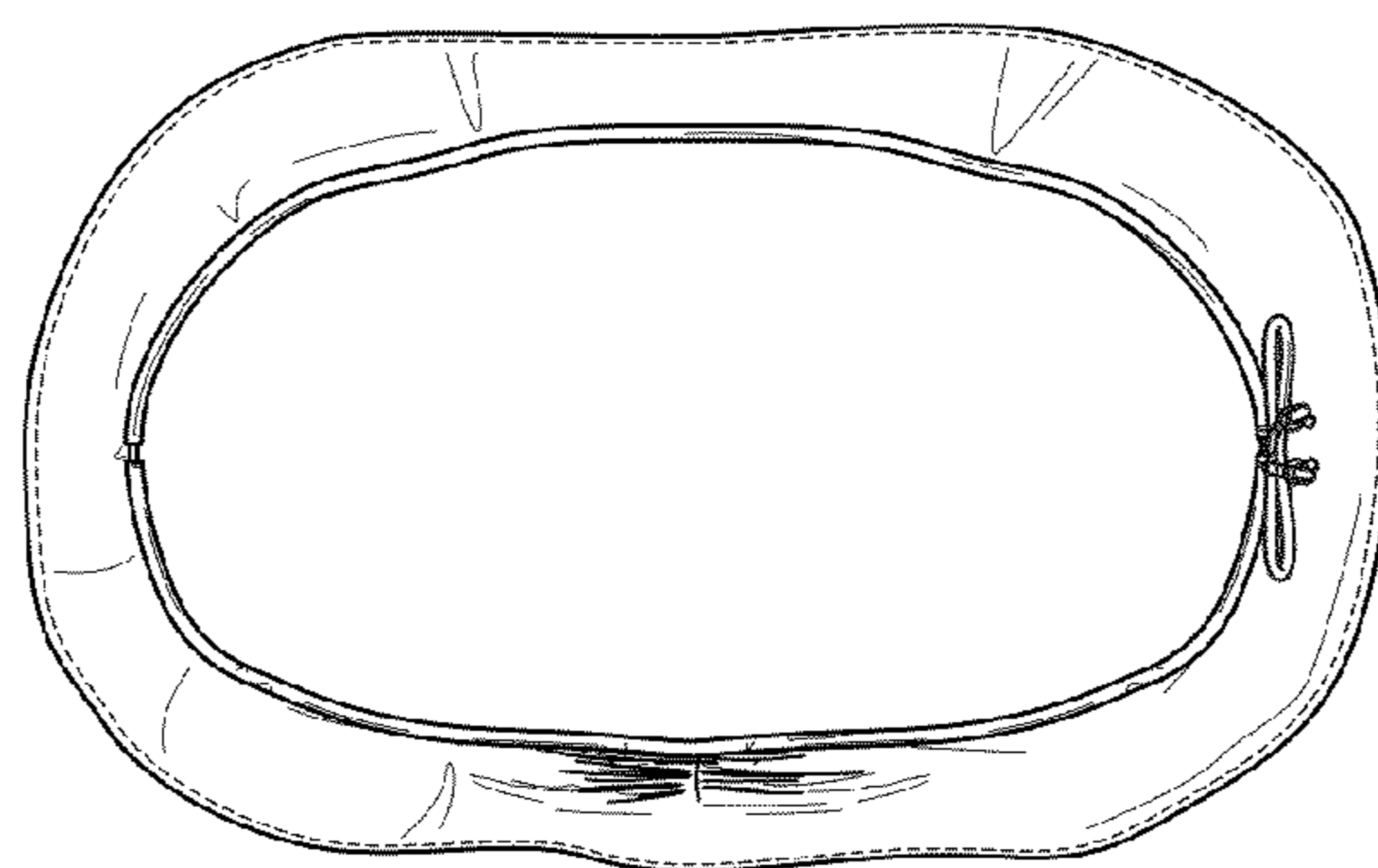


FIG. 11