



US00D746016S

(12) **United States Design Patent**
Schweitzer

(10) **Patent No.:** **US D746,016 S**
(45) **Date of Patent:** **** Dec. 29, 2015**

(54) **CONFECTION**

(71) Applicant: **Societe des Produits Nestle S.A., Vevey**
(CH)

(72) Inventor: **Christian Schweitzer, Bottrop** (DE)

(73) Assignee: **Societe des Produits Nestle S.A., Vevey**
(CH)

(**) Term: **14 Years**

(21) Appl. No.: **29/471,299**

(22) Filed: **Oct. 30, 2013**

(30) **Foreign Application Priority Data**

Apr. 30, 2013 (AU) 348413

(51) **LOC (10) Cl.** **01-01**

(52) **U.S. Cl.**
USPC **D1/121; D1/127**

(58) **Field of Classification Search**
USPC D1/100-130, 199; 426/5, 104, 249,
426/275, 660; D24/101-104; 273/429;
D9/707; D28/8.1; D14/433; D7/354,
D7/359, 391, 672; D15/90
CPC A23G 3/54; A23G 4/20; A23G 3/343;
A23G 3/36; A23G 3/28; A61K 9/2072;
A61K 9/2095

See application file for complete search history.

(56) **References Cited**

U.S. PATENT DOCUMENTS

D526,112 S * 8/2006 Martin et al. D1/127
D563,076 S * 3/2008 Brooking et al. D1/127
D565,827 S * 4/2008 Brooking et al. D1/127

D591,927 S * 5/2009 Wilson et al. D1/127
D595,027 S * 6/2009 Hartmann et al. D1/121
D613,028 S * 4/2010 Hartmann et al. D1/121
D615,727 S * 5/2010 Loret et al. D1/121
D627,127 S * 11/2010 Wilson et al. D1/121
D634,508 S * 3/2011 Wilson et al. D1/121
D655,066 S * 3/2012 Grolimund D1/127
D659,946 S * 5/2012 Fujioka et al. D1/127
D712,616 S * 9/2014 Moore et al. D1/121
D713,616 S * 9/2014 Gaudard D1/121

OTHER PUBLICATIONS

Willy Wonka Chocolate Bar, Jan. 23, 2013. [online.] [retrieved on Oct. 27, 2014]. Retrieved from internet <URL: <http://www.candywarehouse.com/products/willy-wonka-chocolate-bars-original-18-piece-box>>.*

* cited by examiner

Primary Examiner — Deanna L Pratt

Assistant Examiner — Katie Mroczka

(74) *Attorney, Agent, or Firm* — K&L Gates LLP

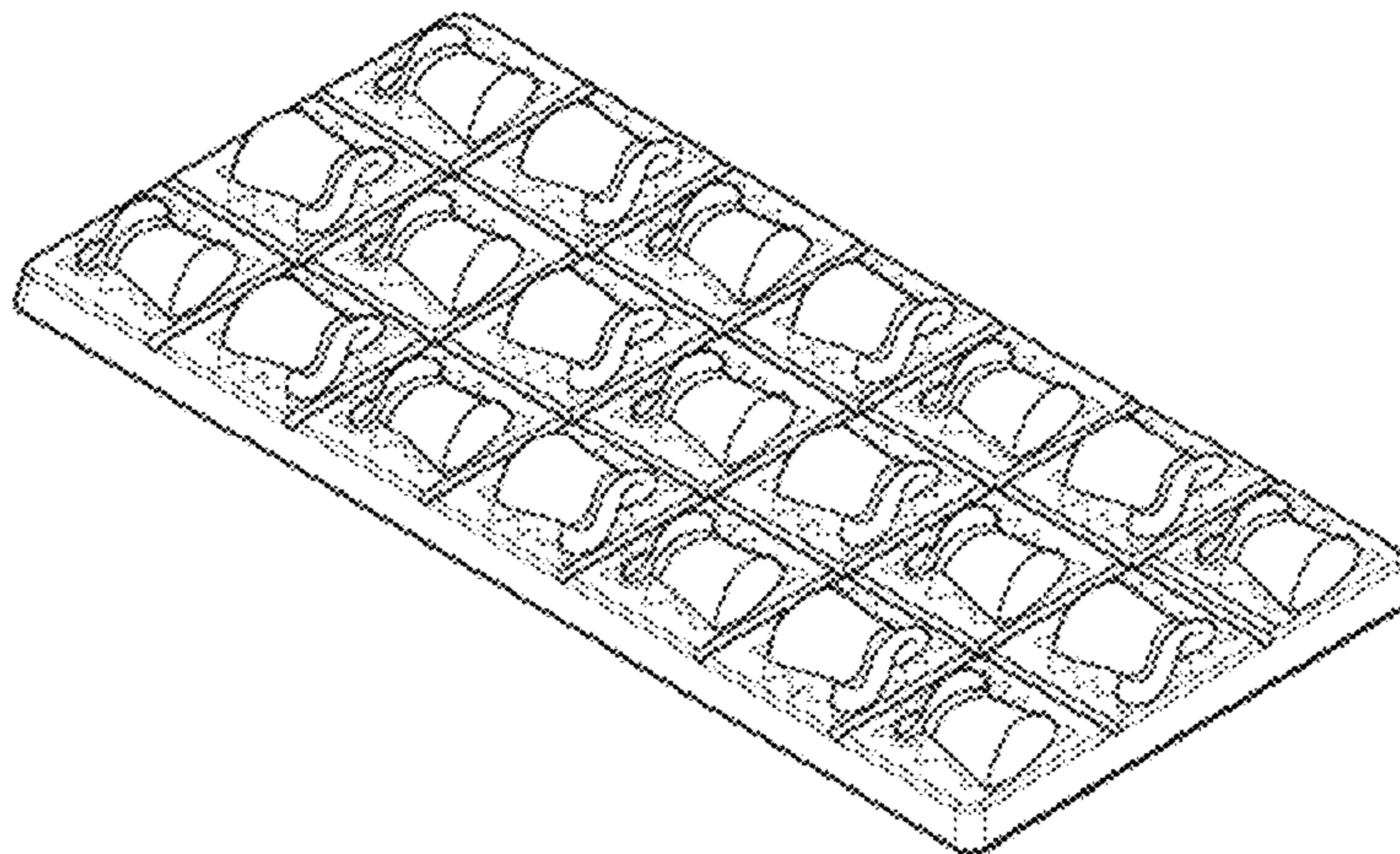
(57) **CLAIM**

The ornamental design for a confection, as shown and described.

DESCRIPTION

FIG. 1 illustrates a top perspective view of a confection according to the present disclosure;
FIG. 2 illustrates a bottom perspective view thereof;
FIG. 3 illustrates a top plan view thereof;
FIG. 4 illustrates a bottom plan view thereof;
FIG. 5 illustrates a front side elevational view thereof;
FIG. 6 illustrates a rear side elevational view thereof;
FIG. 7 illustrates a left side elevational view thereof; and,
FIG. 8 illustrates a right side elevational view thereof.

1 Claim, 6 Drawing Sheets



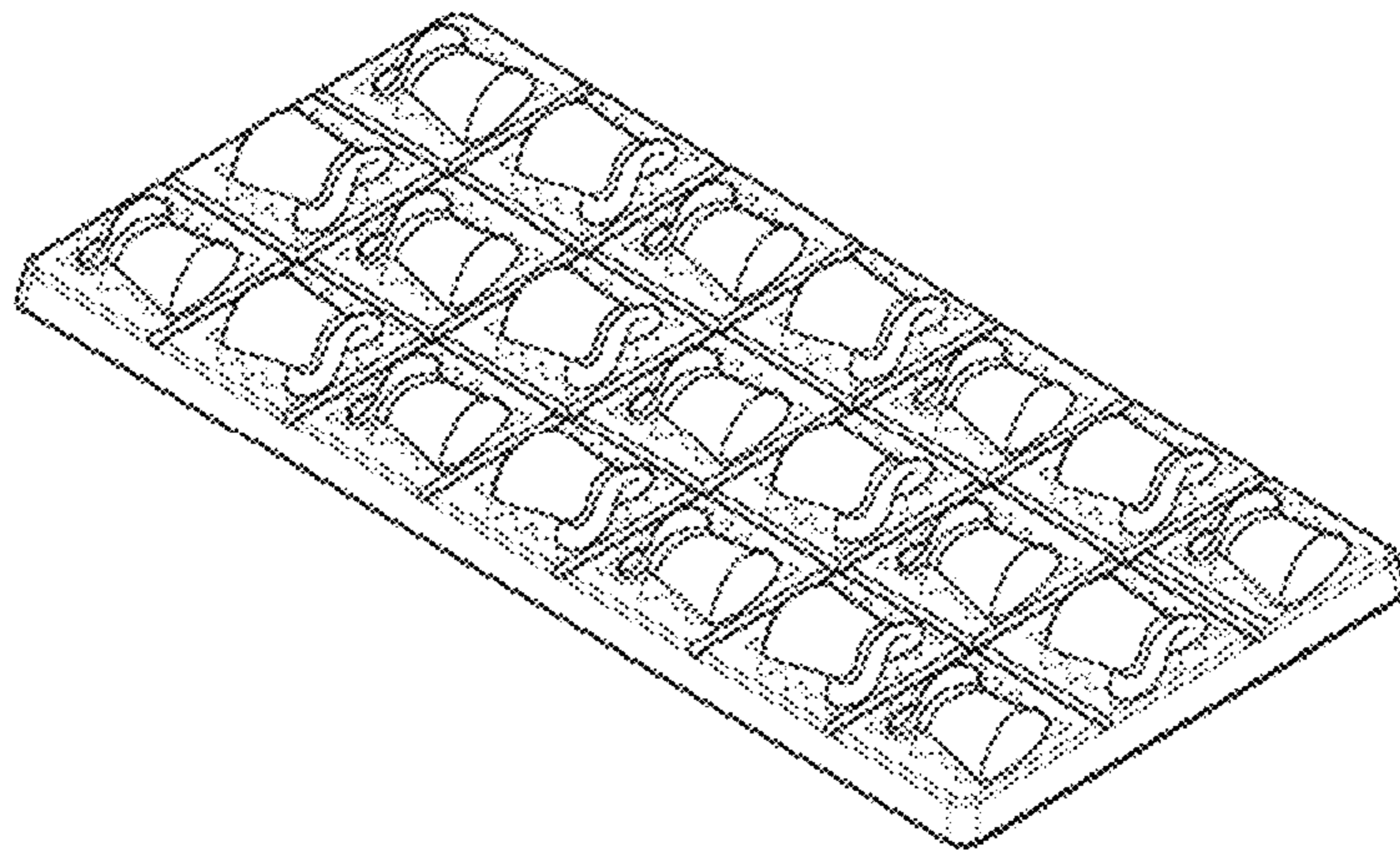


FIG. 1

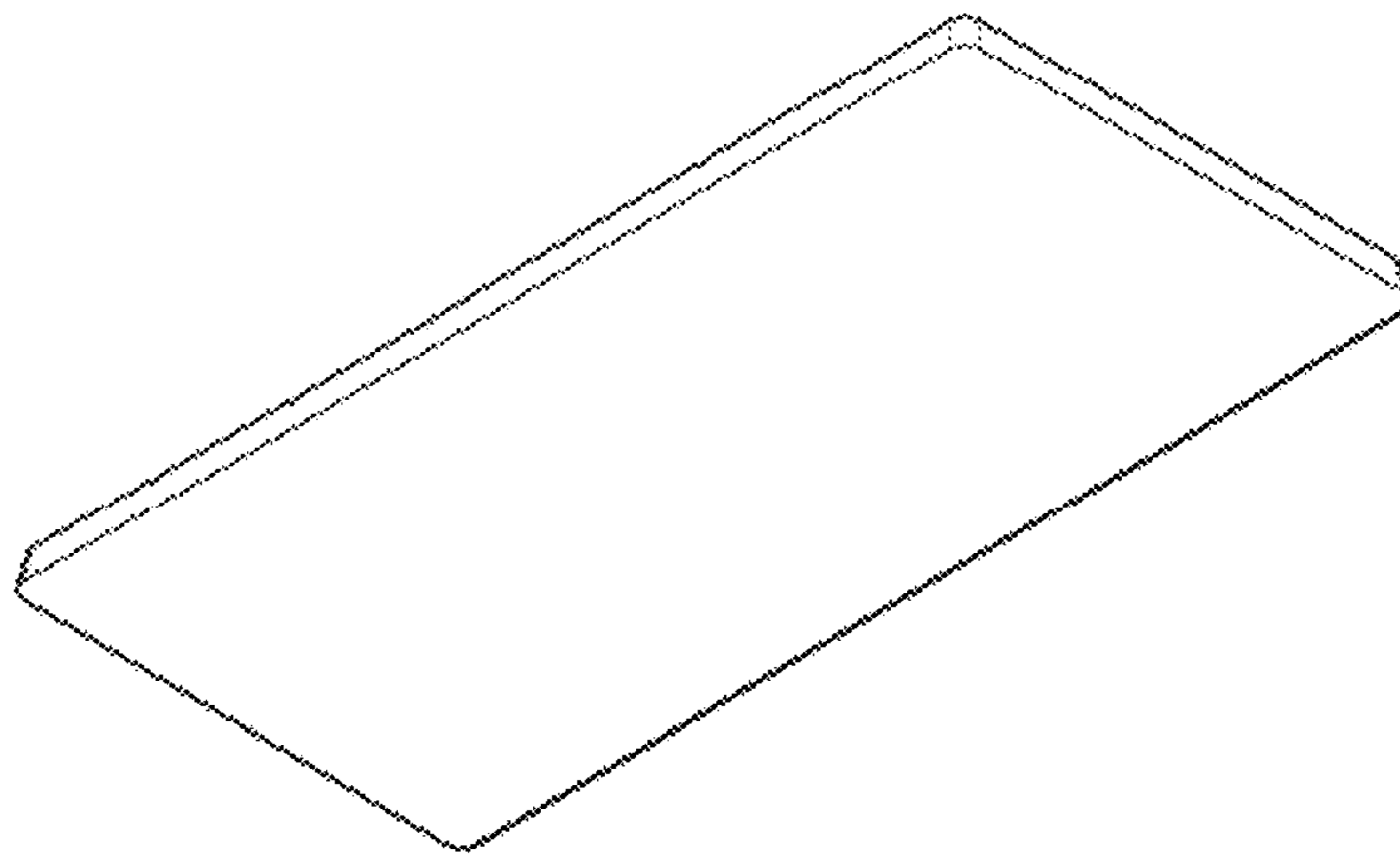


FIG. 2

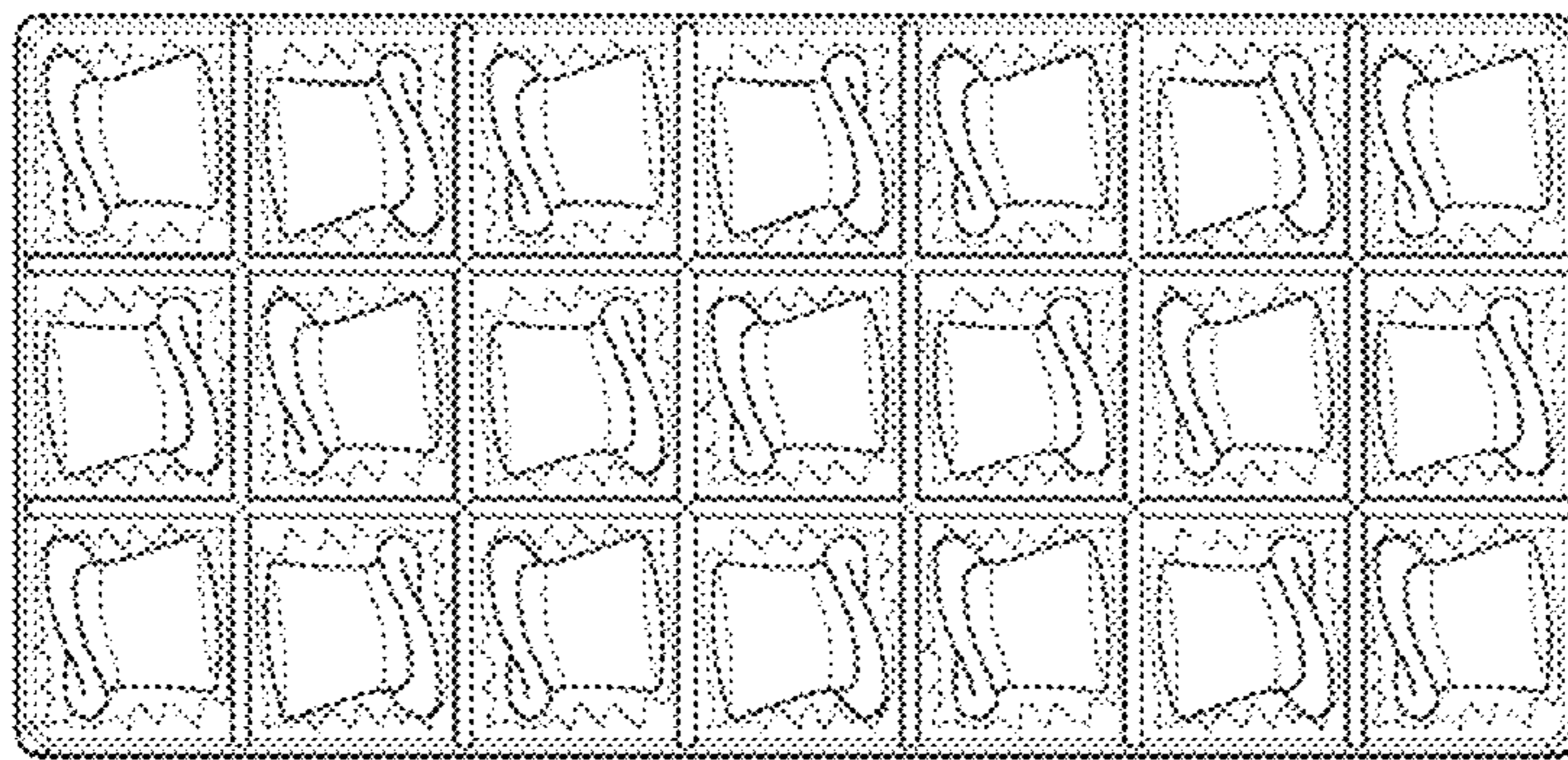


FIG. 3



FIG. 4



FIG. 5



FIG. 6



FIG. 7



FIG. 8