



US00D746014S

(12) **United States Design Patent**
Rekow et al.

(10) **Patent No.:** **US D746,014 S**
(45) **Date of Patent:** **** Dec. 22, 2015**

(54) **COUNTERWEIGHT FOR A LIFT TRUCK**

(71) Applicant: **Crown Equipment Corporation**, New Bremen, OH (US)

(72) Inventors: **Craig J. Rekow**, Troy, OH (US); **Trisha M. Luthman**, Covington, OH (US); **Roger J. Quinlan**, Troy, OH (US)

(73) Assignee: **Crown Equipment Corporation**, New Bremen, OH (US)

(**) Term: **14 Years**

(21) Appl. No.: **29/497,832**

(22) Filed: **Jul. 29, 2014**

(51) **LOC (10) Cl.** **12-05**

(52) **U.S. Cl.**
USPC **D34/35**

(58) **Field of Classification Search**
USPC D34/28-37; 414/572, 592, 631, 785, 414/640, 601, 602, 685, 687, 688, 694; 180/89.12, 89.13, 89.17; D15/10, D15/22-29, 30, 31; 296/193.03, 193.08; 172/611, 776
CPC B66F 9/24; B66F 9/07563; B66F 17/003; B66F 9/10; B66F 9/07545; B66F 9/12; B66F 9/146; B66F 9/195
See application file for complete search history.

(56) **References Cited**

U.S. PATENT DOCUMENTS

D559,279 S * 1/2008 Sakitani et al. D15/28
D576,775 S * 9/2008 Buchmann et al. D34/35

D587,285 S * 2/2009 Murakami et al. D15/28
D612,563 S * 3/2010 Stark D34/34
D649,322 S 11/2011 Bartlett et al.
D656,293 S * 3/2012 Kazaoka et al. D34/35
D678,358 S * 3/2013 Hiraoka et al. D15/28
D678,359 S * 3/2013 Hagura et al. D15/28
D680,136 S * 4/2013 Tsukamoto et al. D15/28
D724,106 S 3/2015 Gallagher et al.
D725,157 S * 3/2015 Higuchi et al. D15/28
D725,683 S * 3/2015 Payne et al. D15/31
D728,638 S * 5/2015 Payne et al. D15/31

* cited by examiner

Primary Examiner — Cynthia Ramirez

Assistant Examiner — Gino Colan

(74) *Attorney, Agent, or Firm* — Stevens & Showalter LLP

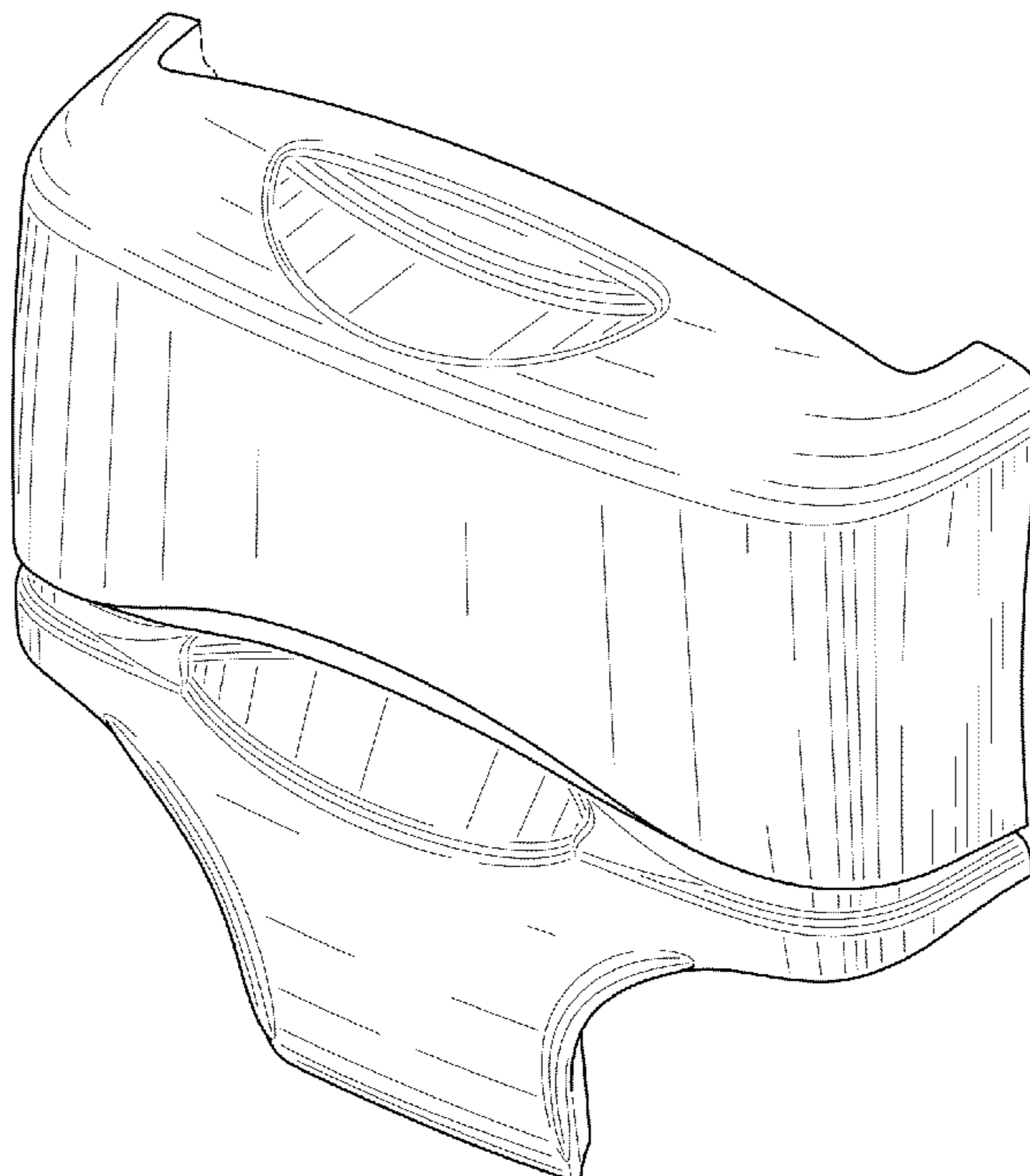
(57) **CLAIM**

The ornamental design for a counterweight for a lift truck, as shown and described.

DESCRIPTION

FIG. 1 is a perspective view of the counterweight for a lift truck;
FIG. 2 is a rear elevational view thereof;
FIG. 3 is a front elevational view thereof;
FIG. 4 is a top view thereof;
FIG. 5 is a bottom view thereof
FIG. 6 is a left elevational view thereof; and,
FIG. 7 is a right elevational view thereof.
The broken lines in the drawings are included for the purpose of illustrating portions of the counterweight for a lift truck and form no part of the claimed design.

1 Claim, 5 Drawing Sheets



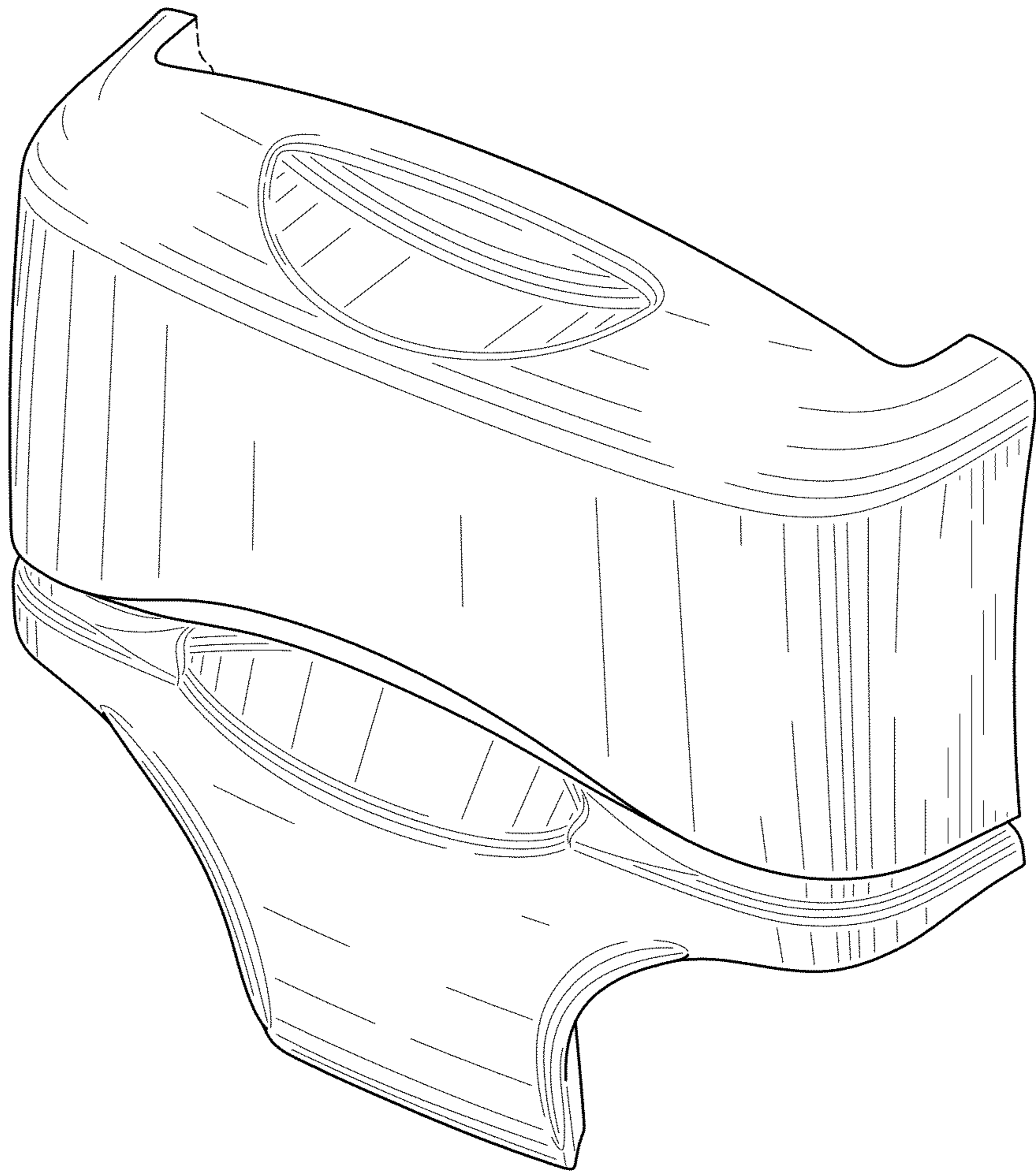


FIG. 1

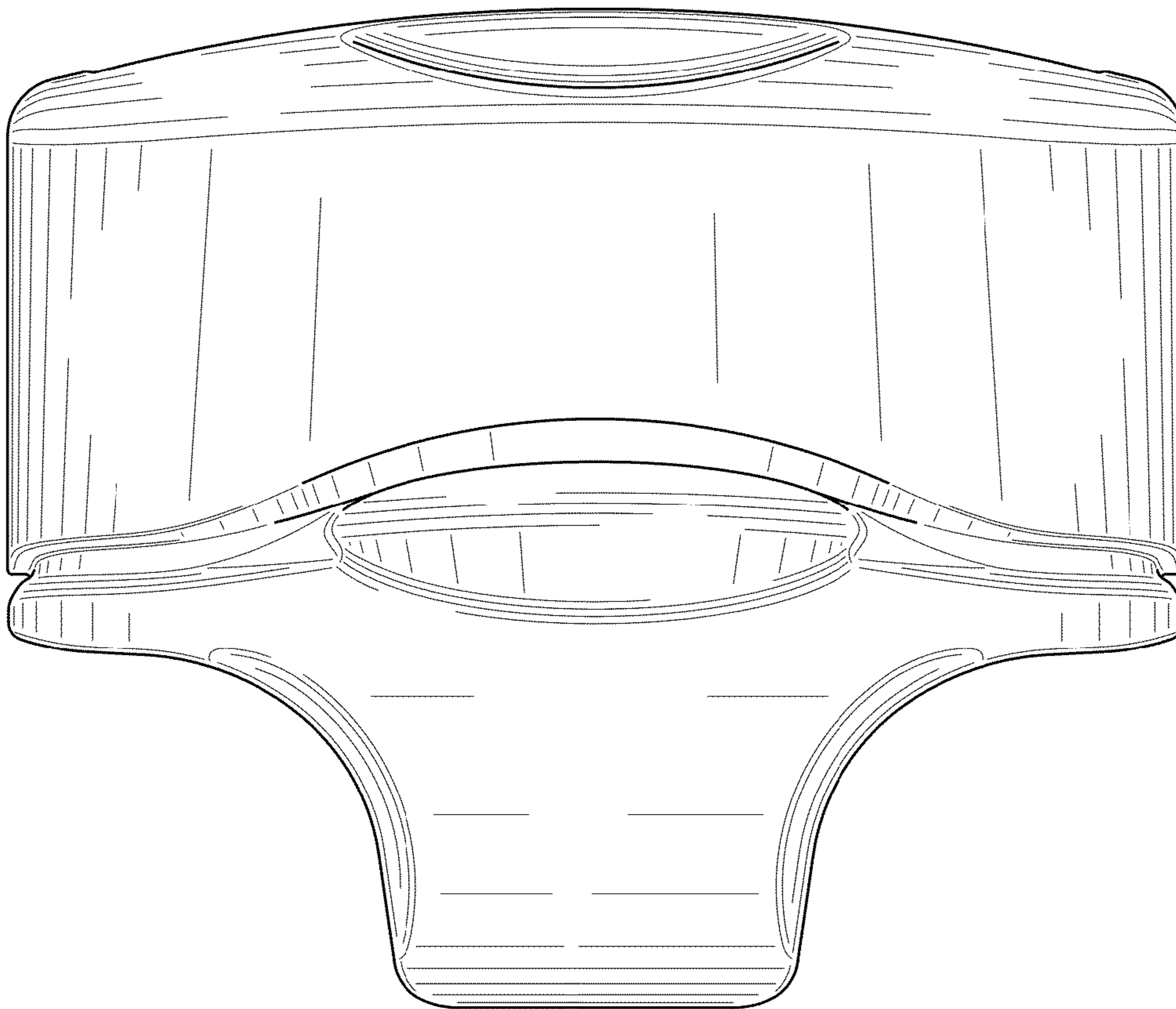


FIG. 2

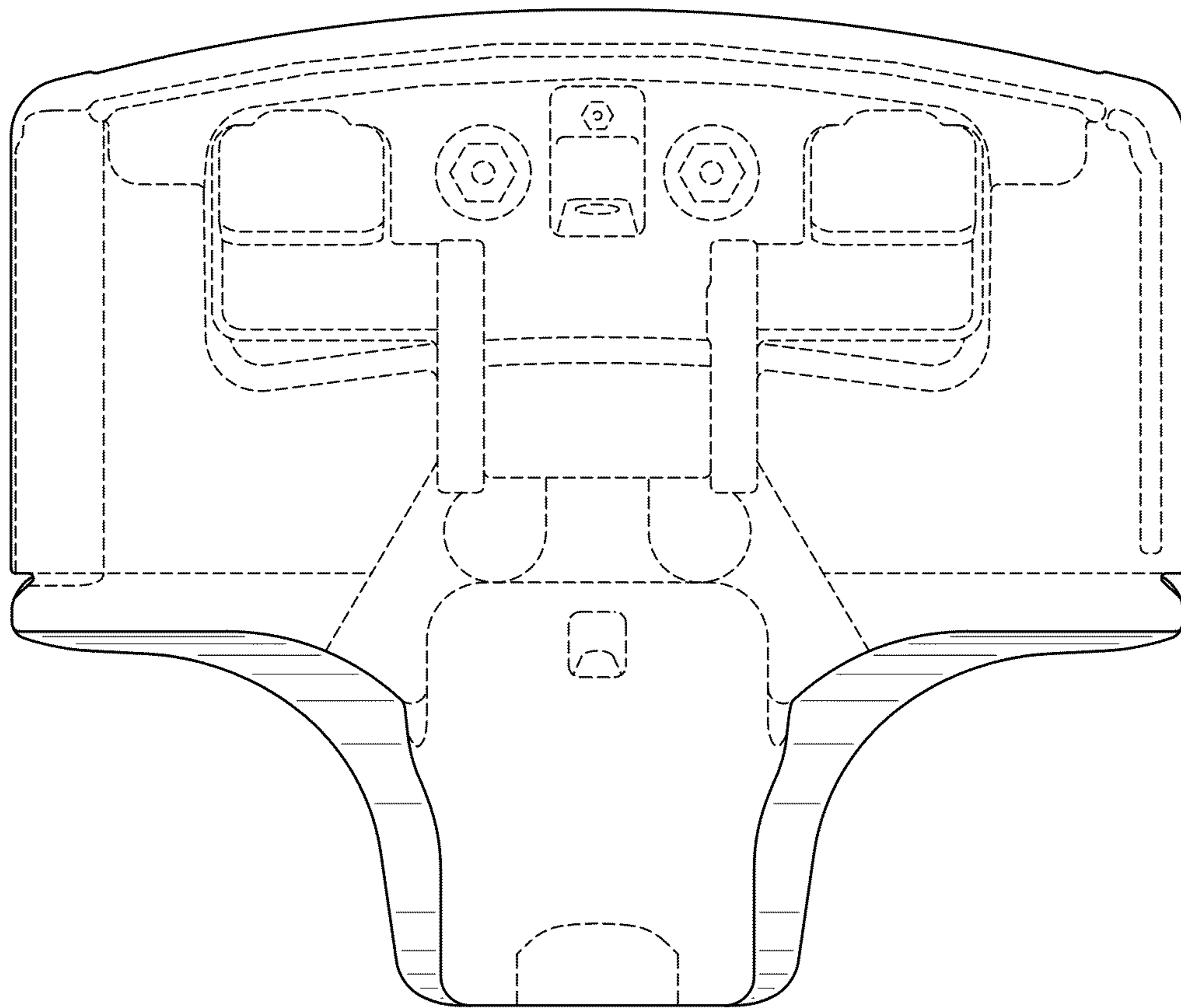


FIG. 3

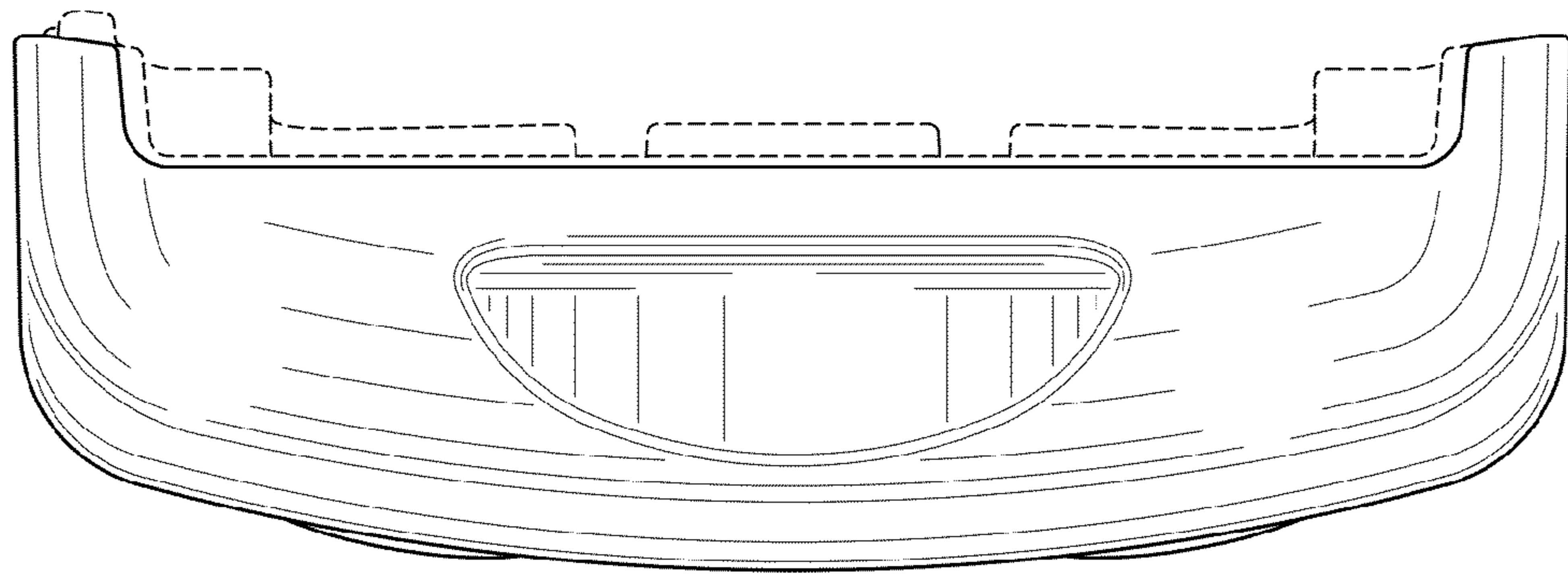


FIG. 4

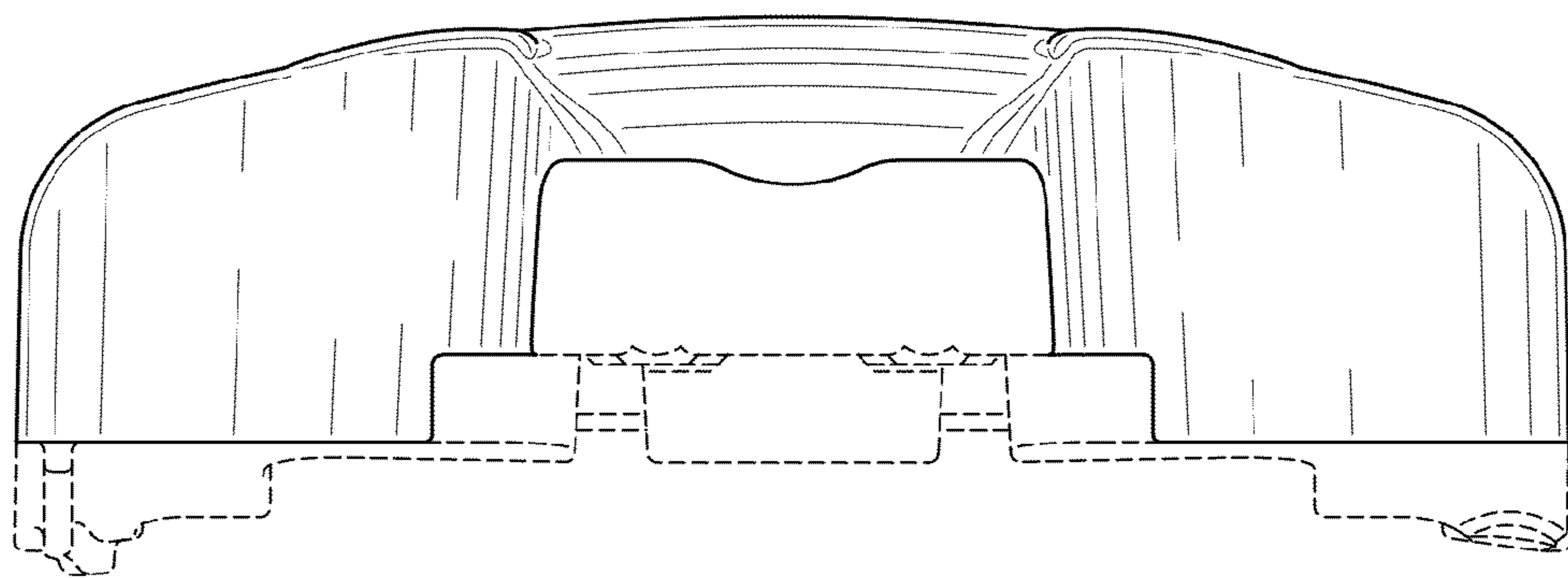


FIG. 5

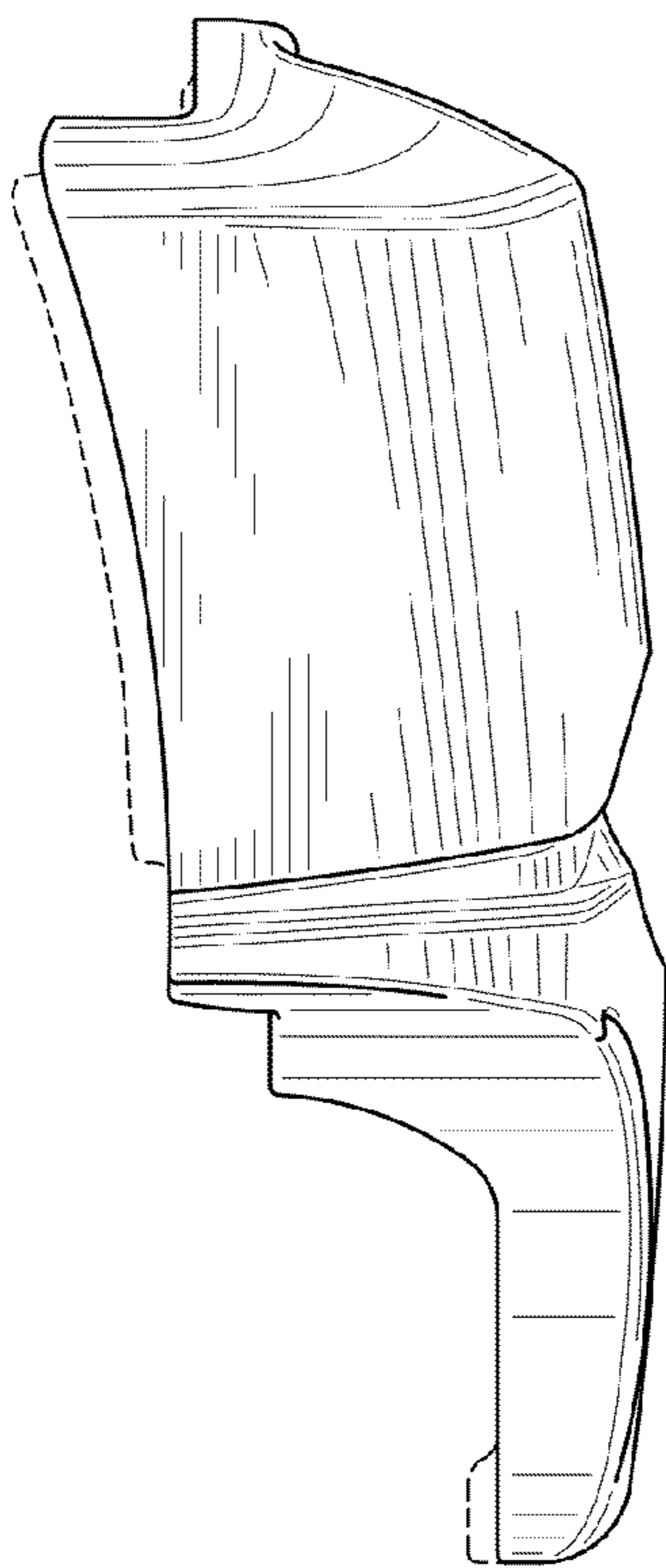


FIG. 6

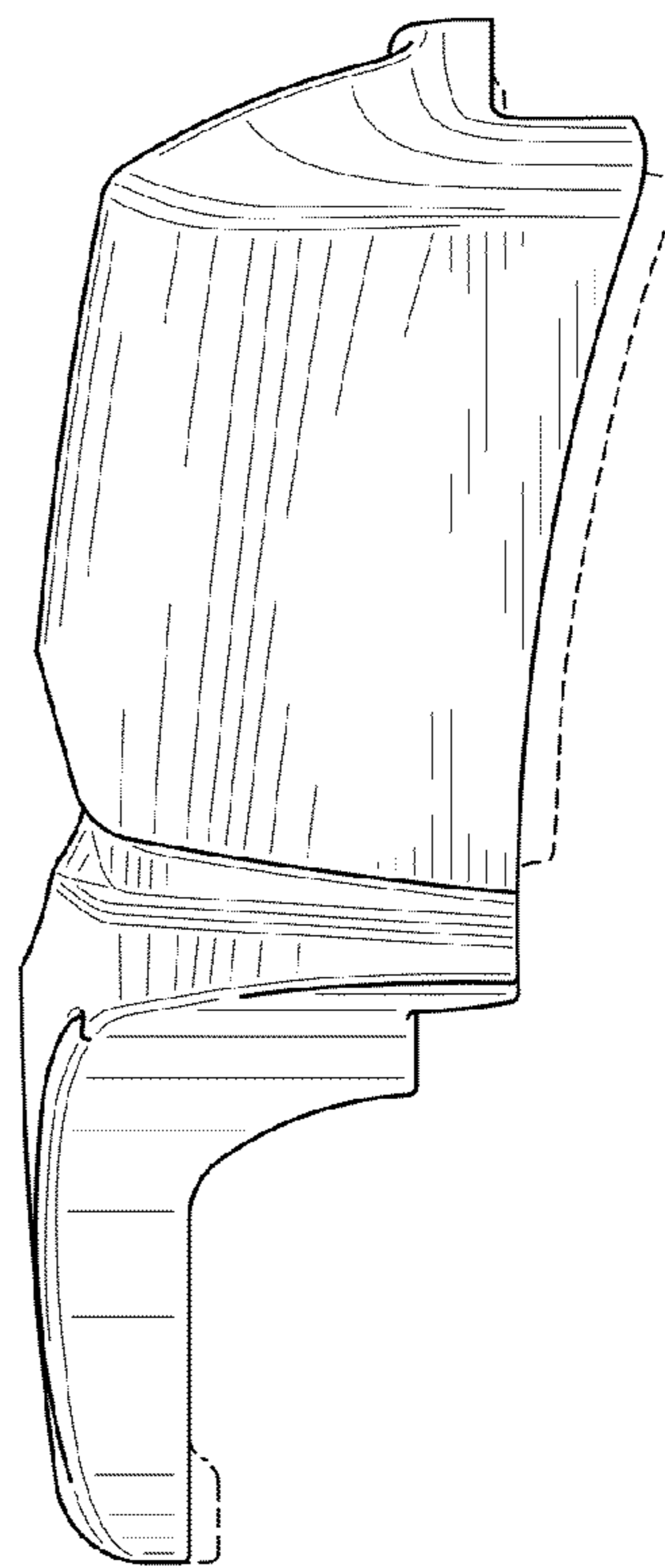


FIG. 7