



US00D746011S

(12) **United States Design Patent**
Orthey et al.

(10) **Patent No.:** **US D746,011 S**
(45) **Date of Patent:** **** Dec. 22, 2015**

(54) **STEAM IRONING MODULE**

(71) Applicant: **De'Longhi Braun Household GmbH,**
Neu-Isenburg (DE)

(72) Inventors: **Markus Orthey,** Eltville am Rhein
(DE); **Duy Phong Vu,** Schwalbach am
Taunus (DE)

(73) Assignee: **De'Longhi Braun Household GmbH,**
Neu-Isenburg (DE)

(**) Term: **14 Years**

(21) Appl. No.: **29/510,496**

(22) Filed: **Nov. 28, 2014**

(30) **Foreign Application Priority Data**

May 28, 2014 (EM) 002472621-0009

(51) **LOC (10) Cl.** **07-05**

(52) **U.S. Cl.**
USPC **D32/70**

(58) **Field of Classification Search**
USPC D32/71, 73, 72, 70, 69, 68, 35; D8/373,
D8/349, 396, 30; D15/144, 144.2; D28/73;
219/231, 242, 229; 165/80.1; 126/414
CPC D06F 75/34; D06F 75/08; D06F 75/38;
D06F 75/00; F22B 27/14; B08B 3/006
See application file for complete search history.

(56) **References Cited**

U.S. PATENT DOCUMENTS

D708,181 S * 7/2014 Olsson et al. D14/372
D711,376 S * 8/2014 Lee et al. D14/372
D716,805 S * 11/2014 Olsson et al. D14/372

D716,806 S * 11/2014 Olsson et al. D14/372
D718,305 S * 11/2014 Olsson et al. D14/372
D718,765 S * 12/2014 Olsson D14/372
D719,157 S * 12/2014 Lee et al. D14/372
D719,567 S * 12/2014 Kim et al. D14/372
D719,952 S * 12/2014 Kim et al. D14/372
D723,553 S * 3/2015 Choo et al. D14/372
D724,082 S * 3/2015 Olsson et al. D14/372
D725,101 S * 3/2015 Lee et al. D14/372
D725,103 S * 3/2015 Olsson et al. D14/372
D725,104 S * 3/2015 Olsson et al. D14/372
D725,105 S * 3/2015 Olsson et al. D14/372
D725,106 S * 3/2015 Olsson et al. D14/372
D725,654 S * 3/2015 Lee et al. D14/372
8,968,012 B2 * 3/2015 Olsson et al. 439/131
8,976,085 B2 * 3/2015 Olsson et al. 345/7
D726,721 S * 4/2015 Olsson D14/372

* cited by examiner

Primary Examiner — Austin Murphy

(74) *Attorney, Agent, or Firm* — Goodwin Procter LLP

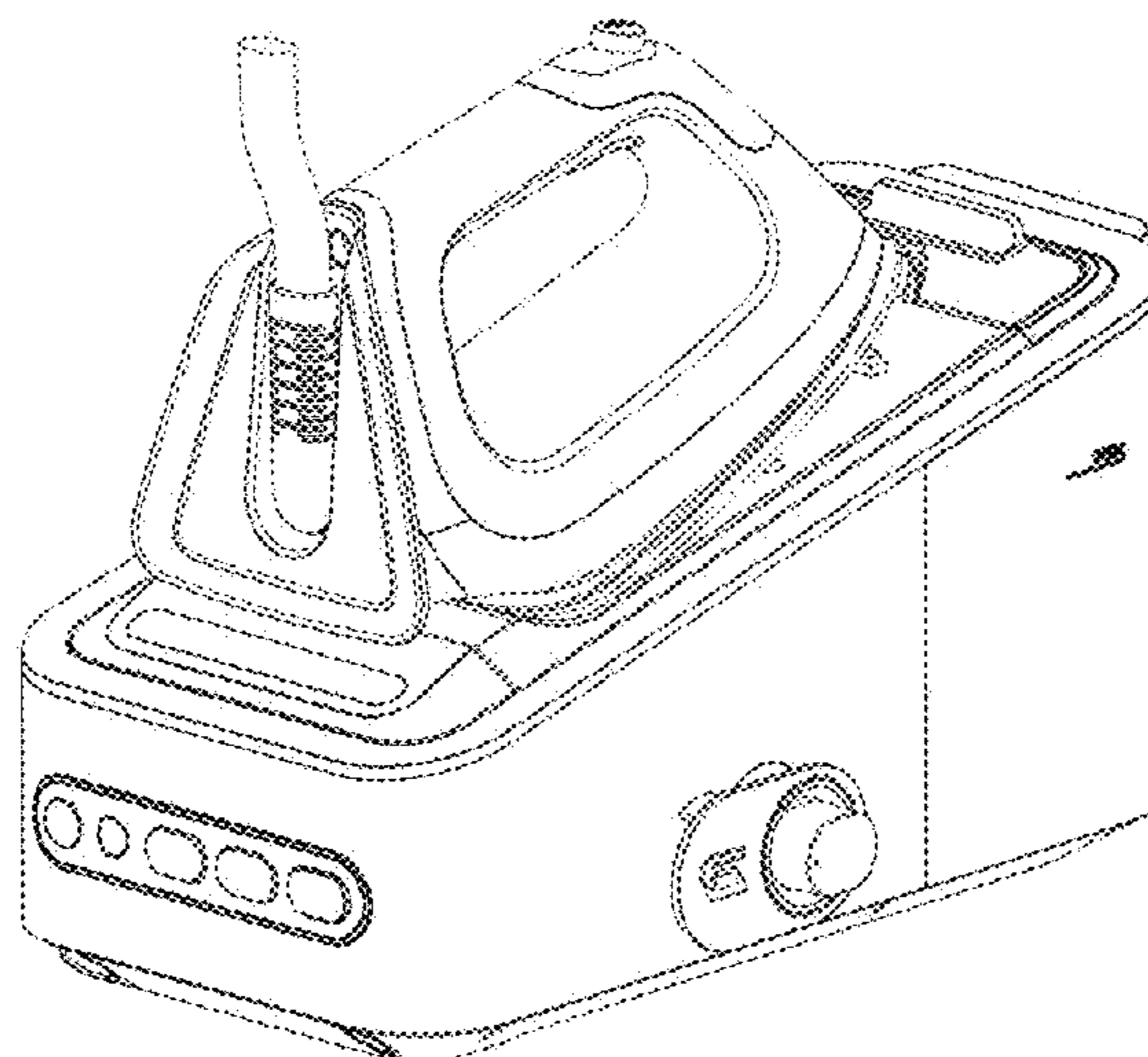
(57) **CLAIM**

The ornamental design for a steam ironing module, as shown and described.

DESCRIPTION

FIG. 1 is a left side view of a steam ironing module;
FIG. 2 is a right side view of the steam ironing module;
FIG. 3 is a front view of the steam ironing module;
FIG. 4 is a rear view of the steam ironing module;
FIG. 5 is a top view of the steam ironing module;
FIG. 6 is a bottom view of the steam ironing module; and,
FIG. 7 is a top perspective view of the steam ironing module.
The broken lines shown in the drawings of the steam ironing module are for illustrative purposes only and form no part of the claimed design.

1 Claim, 6 Drawing Sheets



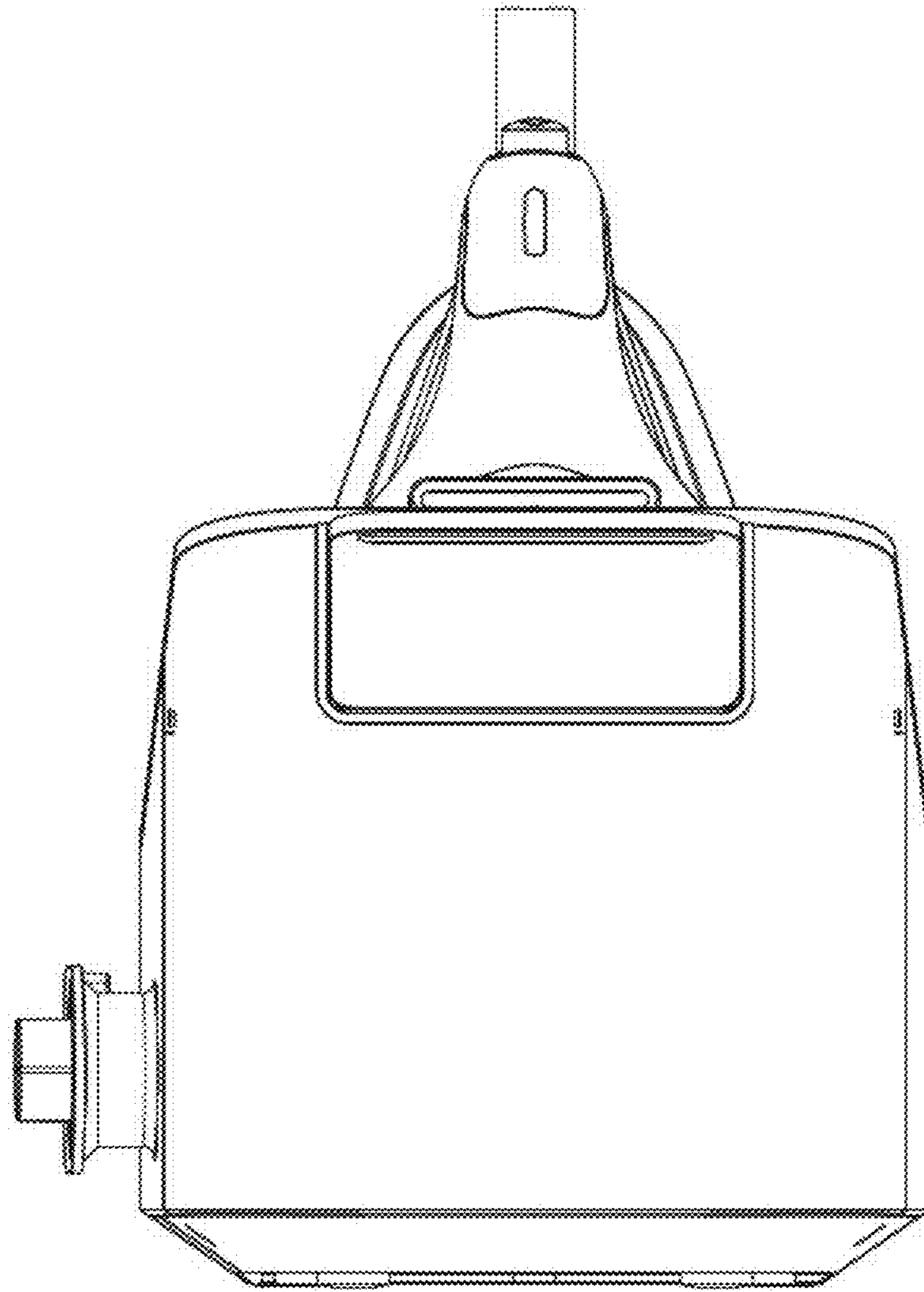


FIG. 1

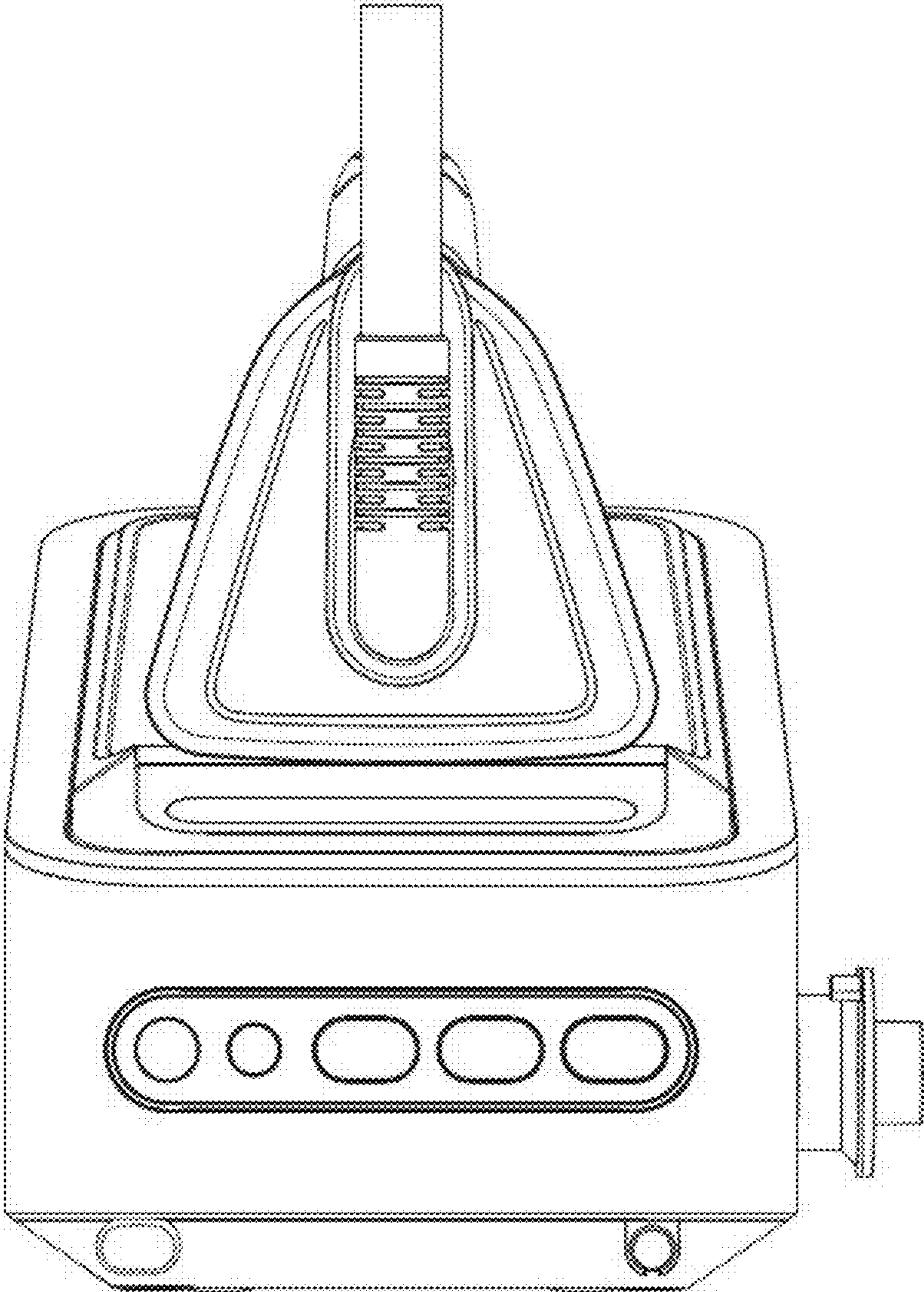


FIG. 2

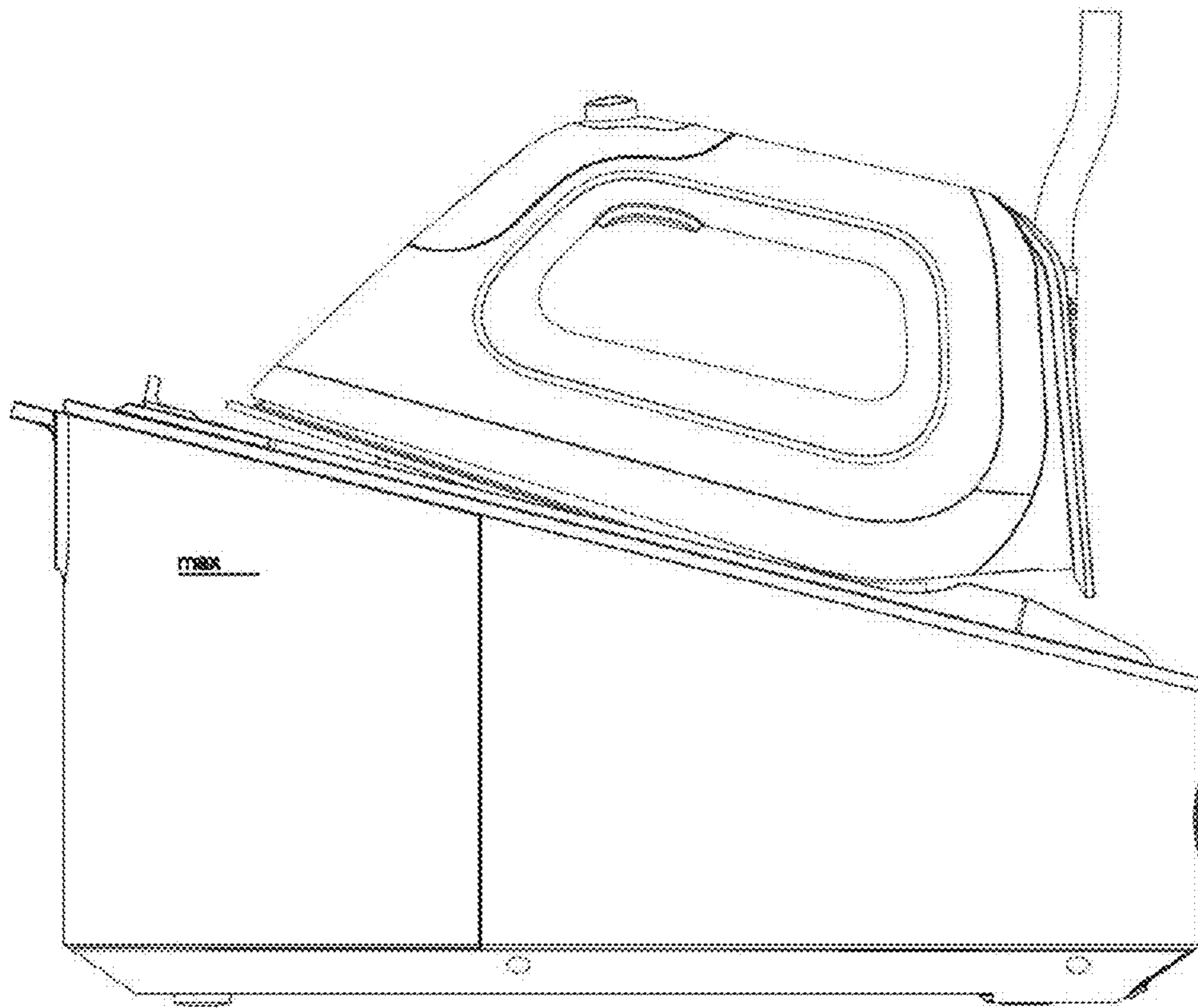


FIG. 3

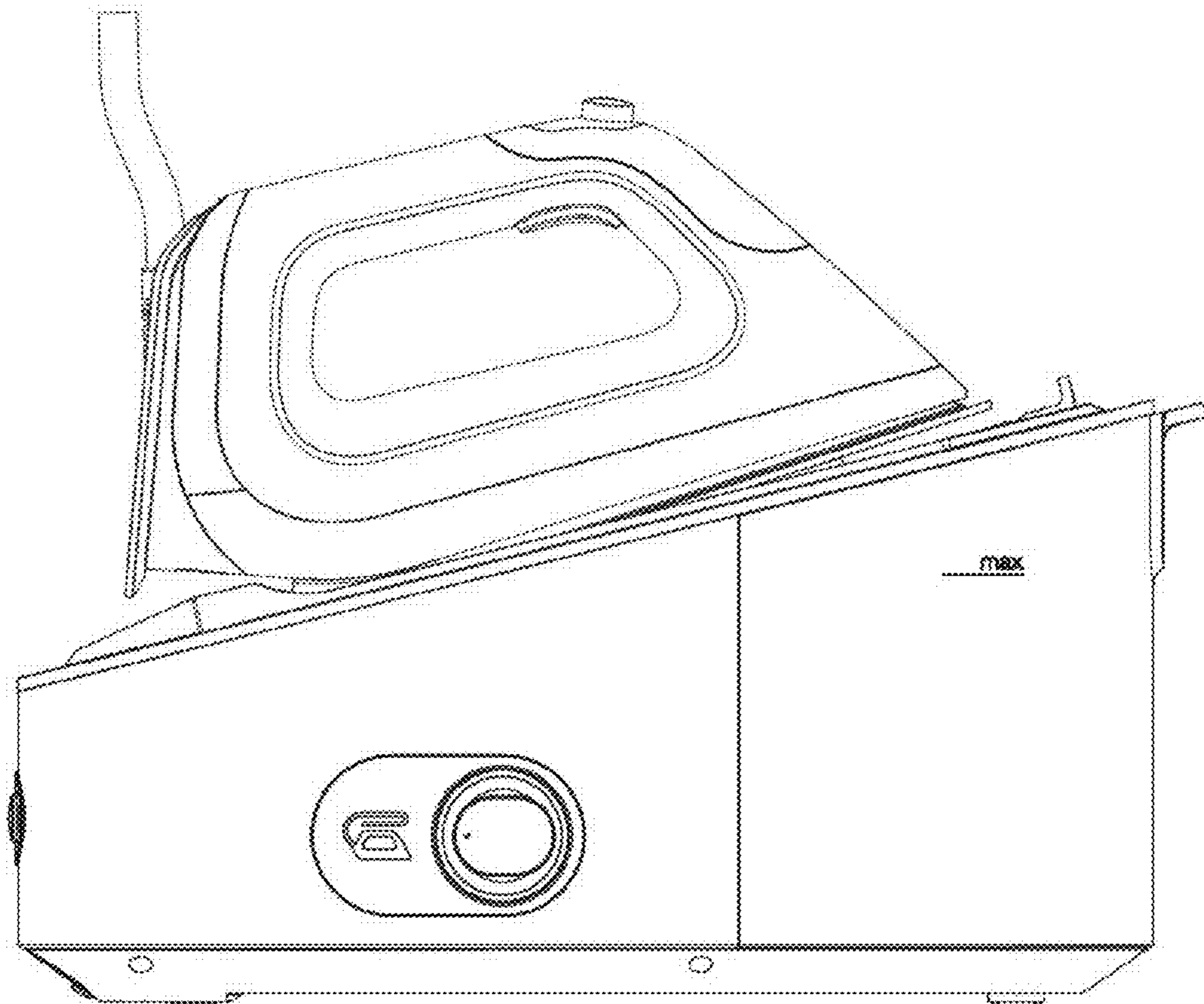


FIG. 4

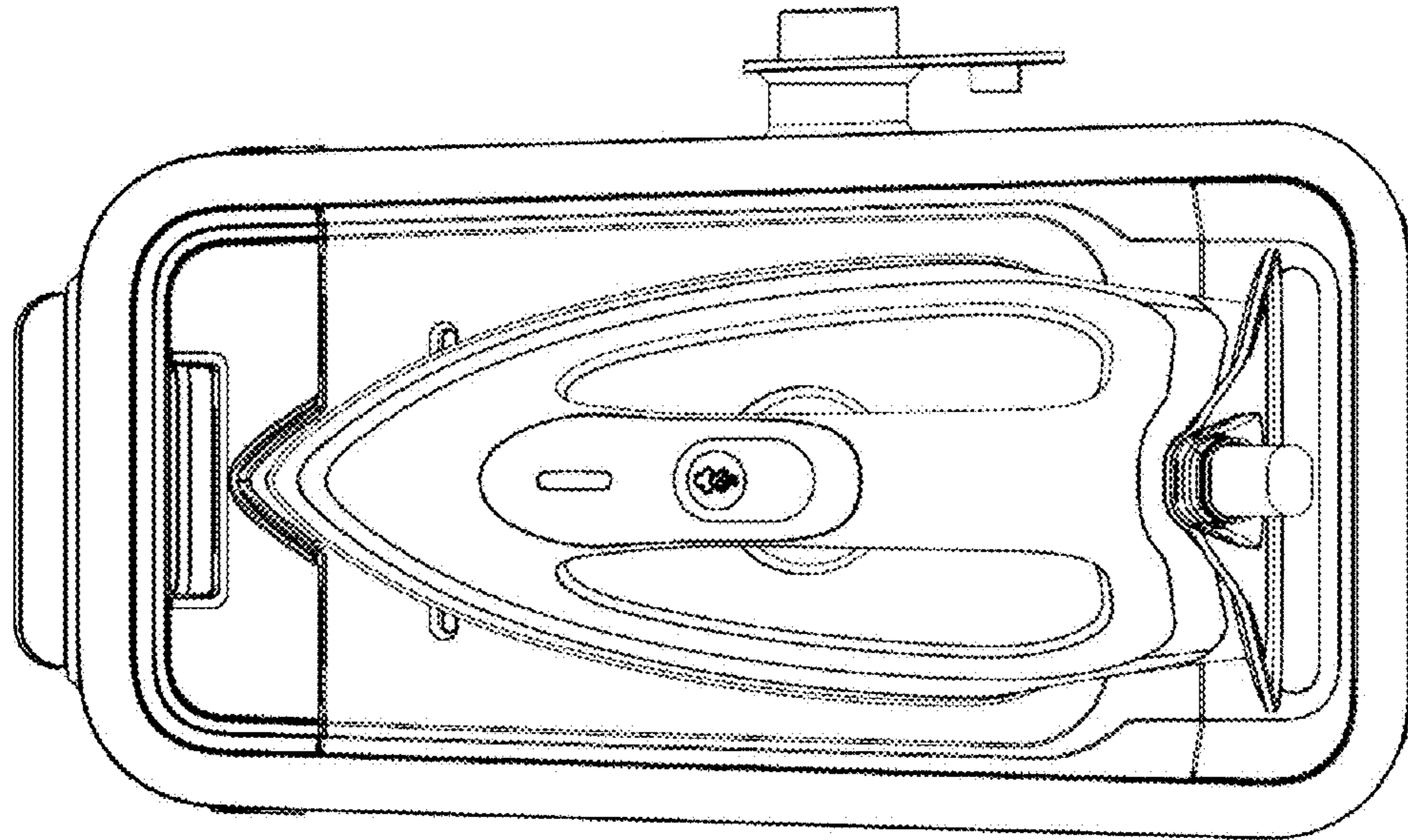


FIG. 5

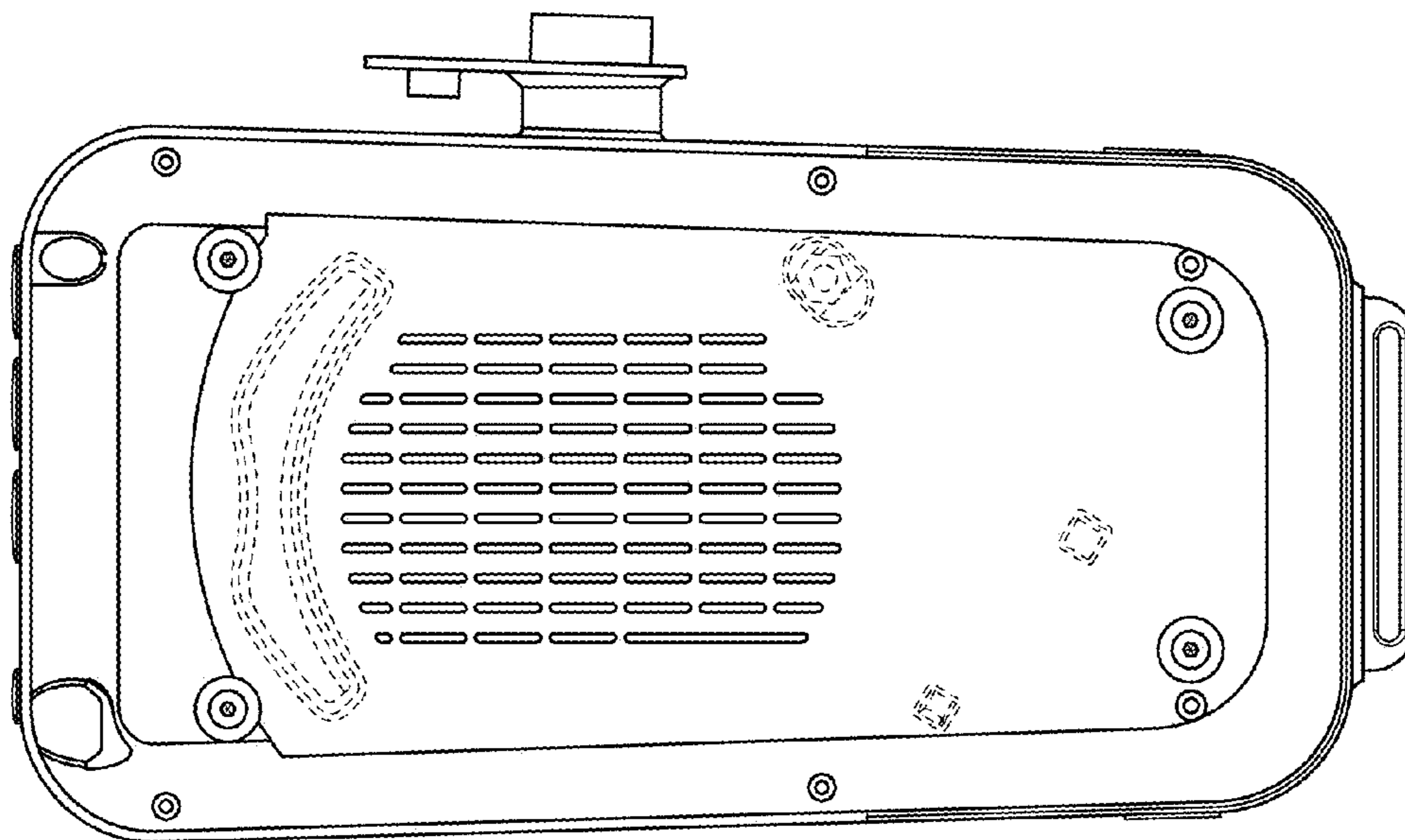


FIG. 6

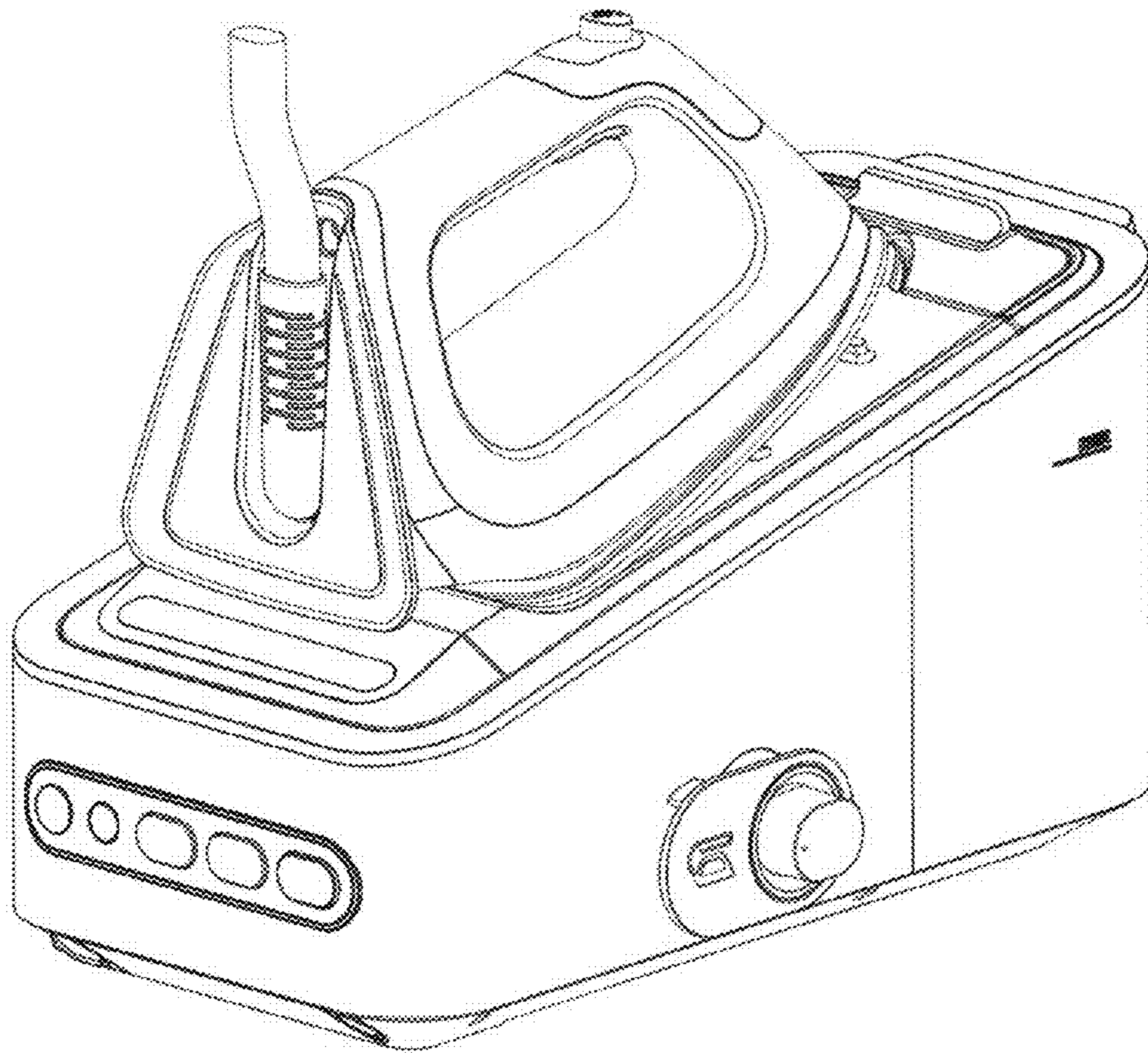


FIG. 7