

US00D746008S

(12) **United States Design Patent**
Ahlstrom et al.

(10) **Patent No.:** **US D746,008 S**
(45) **Date of Patent:** **** Dec. 22, 2015**

(54) **MOP HANDLE**

(71) Applicant: **Ahlstrom & Partners AB**, Bastad (SE)

(72) Inventors: **John Patrik Ahlstrom**, Bastad (SE);
John Van Leer, Bastad (SE)

(73) Assignee: **AHLSTROM & PARTNERS AB**,
Bastad (SE)

(**) Term: **14 Years**

(21) Appl. No.: **29/433,742**

(22) Filed: **Oct. 4, 2012**

(30) **Foreign Application Priority Data**

Apr. 4, 2012 (EM) 002020644

(51) **LOC (10) Cl.** **04-01**

(52) **U.S. Cl.**
USPC **D32/50**

(58) **Field of Classification Search**
USPC D32/50, 40, 45, 32, 51; D8/8; D10/47;
D4/137; D21/532
See application file for complete search history.

(56) **References Cited**

U.S. PATENT DOCUMENTS

D250,245 S * 11/1978 Bebb D32/50
D251,956 S * 5/1979 Averitt D8/8
4,225,998 A * 10/1980 Thielen 15/231
D274,704 S * 7/1984 Garrett et al. D10/47
5,181,369 A * 1/1993 Everts 56/12.7
D349,221 S * 8/1994 Griffin D8/8
D356,014 S * 3/1995 Griffin D8/8
D374,829 S * 10/1996 Yue D10/47
D395,169 S * 6/1998 Yang D4/137
D445,227 S * 7/2001 Tintelnot D32/40
6,325,433 B1 * 12/2001 Nicholson et al. 294/65.5
D457,925 S * 5/2002 Grafton D21/532
D503,836 S * 4/2005 Hall et al. D32/50
D533,792 S * 12/2006 Johnson et al. D10/47
D563,740 S * 3/2008 Andriolo D8/8
D586,055 S * 2/2009 Libman et al. D32/51

D597,269 S * 7/2009 McNeil et al. D32/45
D657,928 S * 4/2012 Byrne D32/50
D658,344 S * 4/2012 Babic et al. D32/50
D664,729 S * 7/2012 Robertson et al. D32/50
D668,827 S * 10/2012 Best et al. D32/50
D672,107 S * 12/2012 Van Landingham et al. .. D32/50
D691,340 S * 10/2013 Bruneel D32/32
D698,111 S * 1/2014 Casini et al. D32/50
D701,013 S * 3/2014 Libman et al. D32/50

FOREIGN PATENT DOCUMENTS

EP 2002942 A2 * 12/2008 B25G 1/10
JP D1379757 * 2/2010

OTHER PUBLICATIONS

Household Microfiber Floor Mop with Telescopic Pole, Feb. 2, 2009, [Site Visited Dec. 4, 2014] <http://www.cleaning-tool.com/>.*

* cited by examiner

Primary Examiner — Eric Goodman

Assistant Examiner — Luqman McNeil

(74) *Attorney, Agent, or Firm* — Knobbe Martens Olson & Bear LLP

(57) **CLAIM**

The ornamental design for a mop handle, as shown and described.

DESCRIPTION

FIG. 1 is a front perspective view of a mop handle showing the new design.

FIG. 2 is a rear elevational view thereof.

FIG. 3 is a front elevational view thereof.

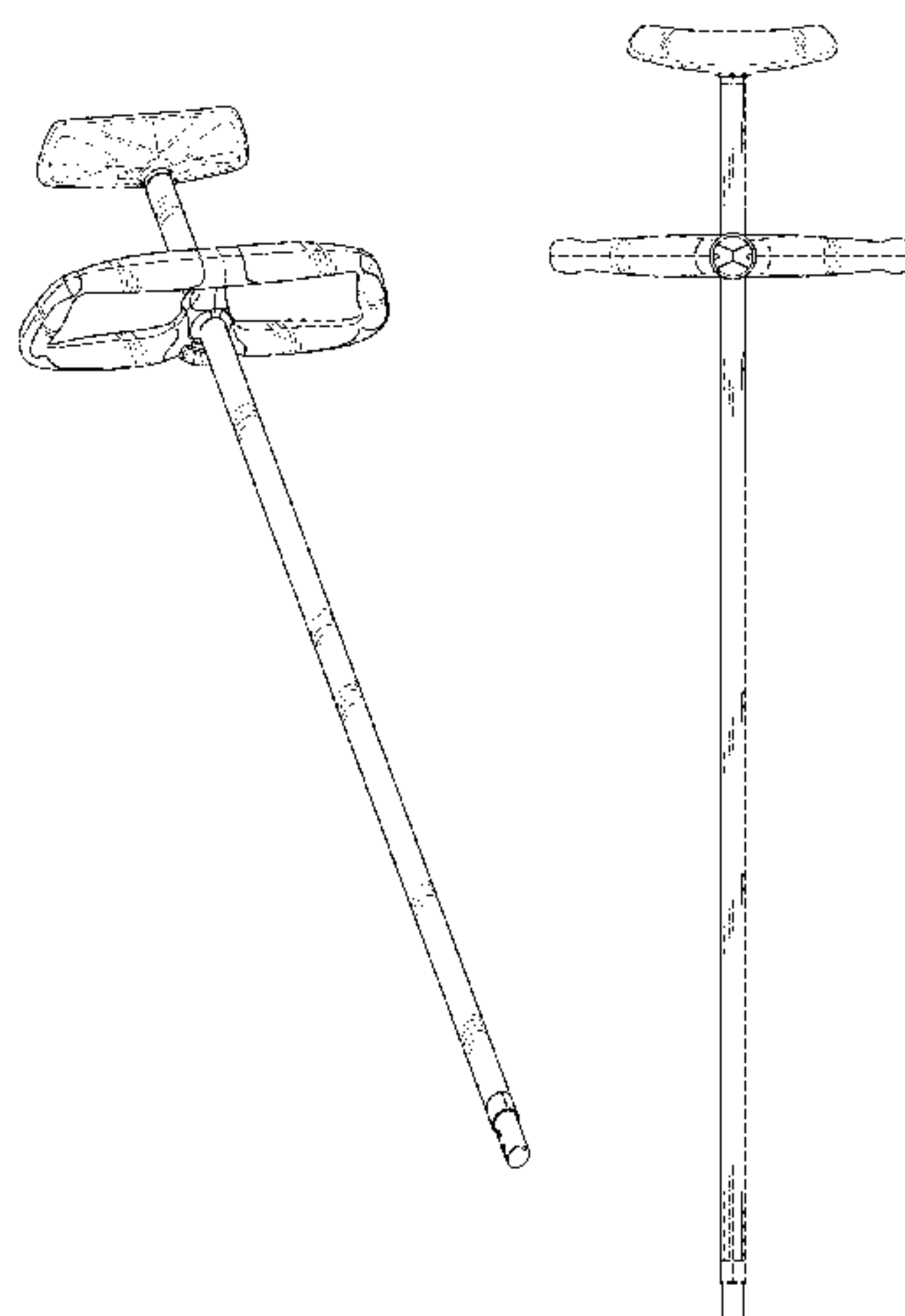
FIG. 4 is a right side elevational view thereof. The left side elevational view is a mirror image of the right side elevational view.

FIG. 5 is a bottom view thereof; and,

FIG. 6 is a top view thereof.

The broken line showing is included for the purpose of illustrating portions of the mop handle and forms no part of the claimed design.

1 Claim, 5 Drawing Sheets



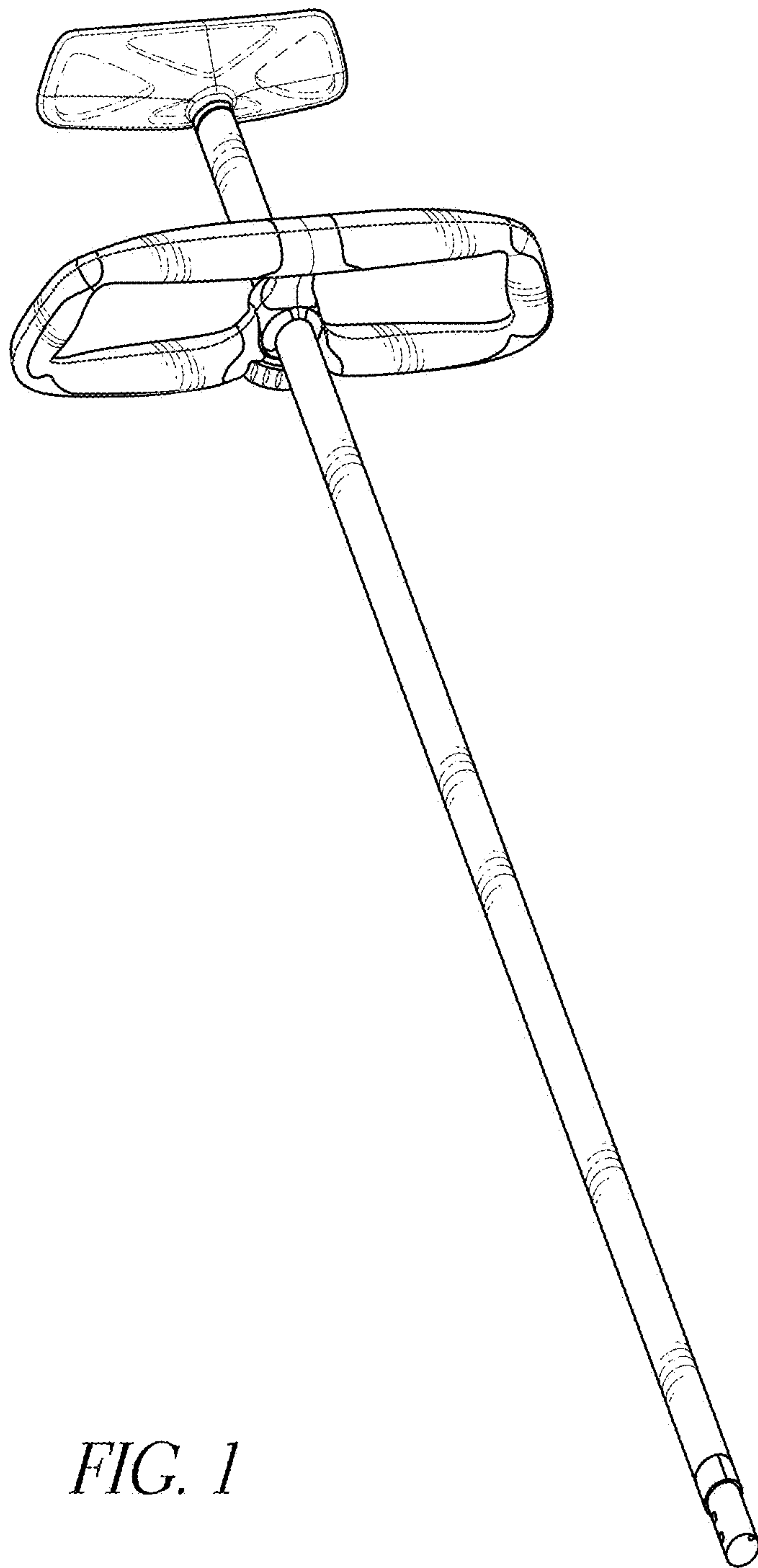


FIG. 1

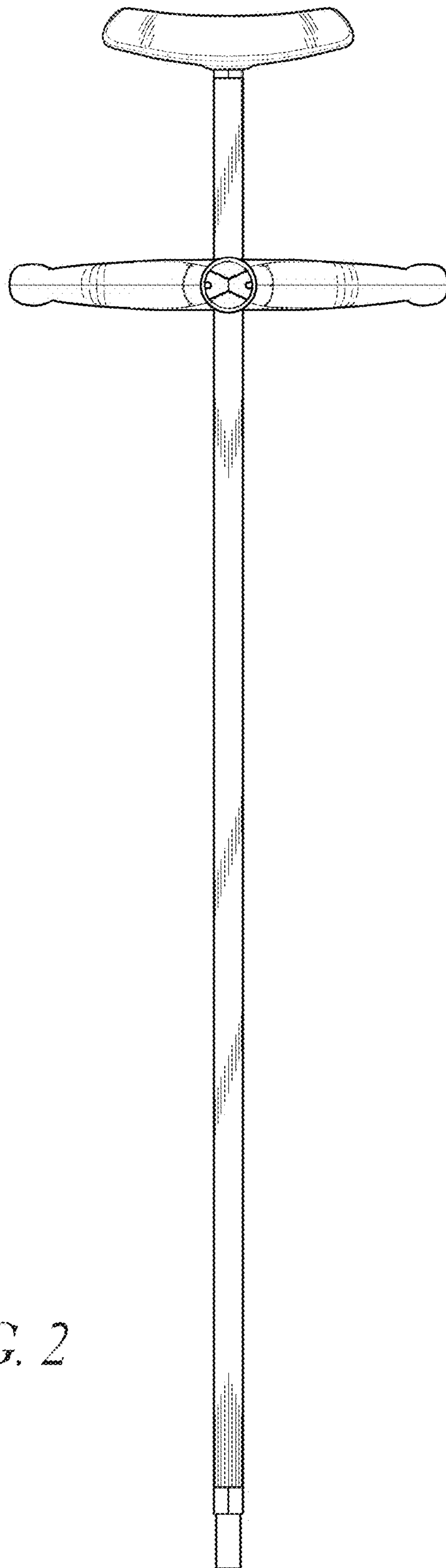


FIG. 2

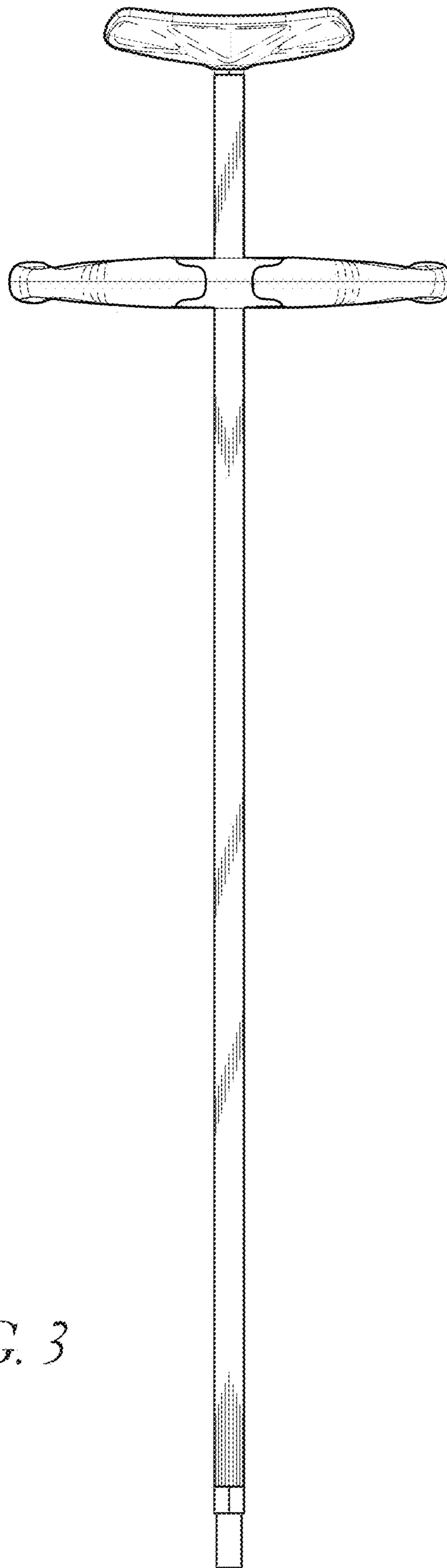


FIG. 3

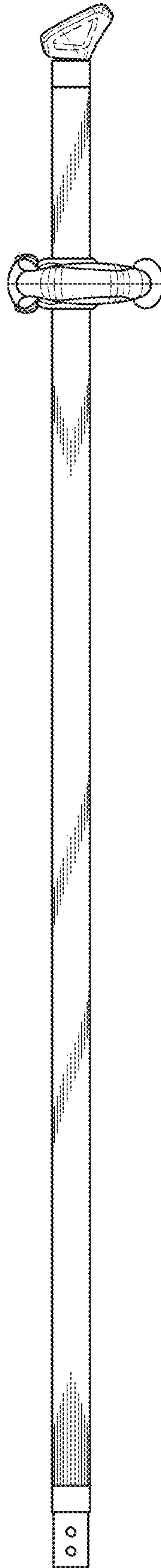


FIG. 4

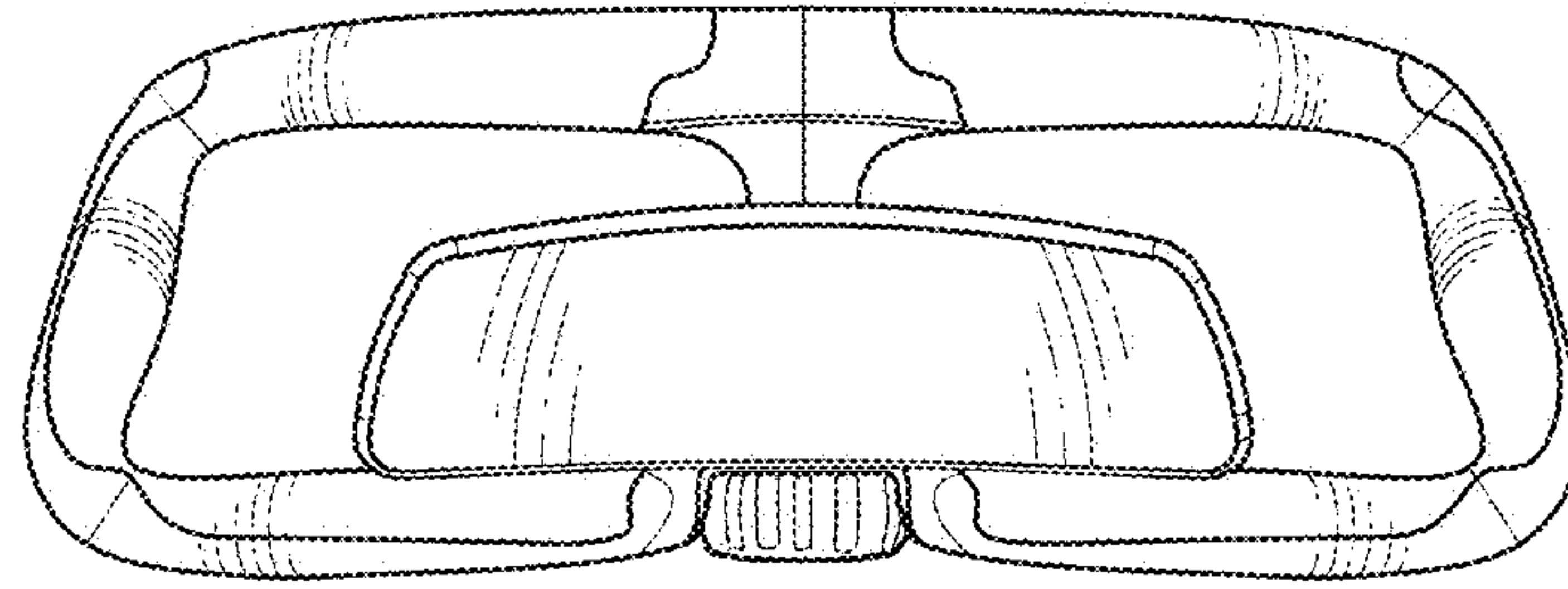


FIG. 5

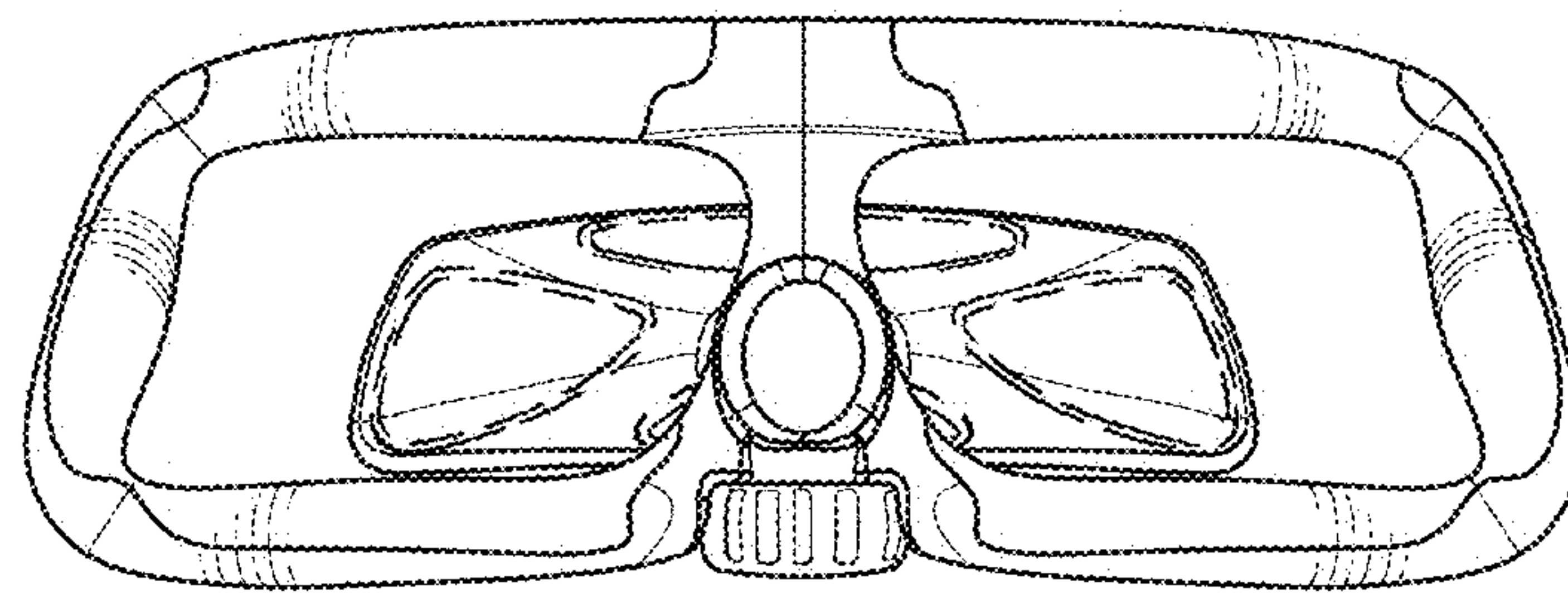


FIG. 6