



US00D746006S

(12) **United States Design Patent**  
**Ha et al.**

(10) **Patent No.:** **US D746,006 S**

(45) **Date of Patent:** **\*\* Dec. 22, 2015**

(54) **WASHING MACHINE**

(71) Applicant: **LG Electronics Inc.**, Seoul (KR)

(72) Inventors: **Youngsoo Ha**, Seoul (KR); **Jeaseok Seong**, Gyeonggi-do (KR); **Kyungah Lee**, Gyeonggi-do (KR); **Jonghee Han**, Gyeonggi-do (KR)

(73) Assignee: **LG Electronics Inc.**, Seoul (KR)

(\*\*) Term: **14 Years**

(21) Appl. No.: **29/462,676**

(22) Filed: **Aug. 7, 2013**

(30) **Foreign Application Priority Data**

Feb. 7, 2013 (KR) ..... 30-2013-0006872

(51) **LOC (10) Cl.** ..... **15-05**

(52) **U.S. Cl.**  
USPC ..... **D32/25**

(58) **Field of Classification Search**  
USPC ..... D32/6, 25, 5, 8, 10, 1; 68/3 R, 4, 5 R,  
68/12.01, 12.07, 12.08, 212; 34/87-88,  
34/523-524

See application file for complete search history.

(56) **References Cited**

U.S. PATENT DOCUMENTS

D557,466 S *	12/2007	Suh	.....	D32/6
D582,106 S *	12/2008	Kim et al.	.....	D32/6
D582,107 S *	12/2008	Ha et al.	.....	D32/6
D584,865 S *	1/2009	Kim et al.	.....	D32/6
D589,215 S *	3/2009	Cho et al.	.....	D32/6
D614,366 S *	4/2010	Shor	.....	D32/6
D618,863 S *	6/2010	Jeon et al.	.....	D32/6
D619,313 S *	7/2010	Cline et al.	.....	D32/25
D627,114 S *	11/2010	Jeon et al.	.....	D32/6
D627,115 S *	11/2010	Jeon et al.	.....	D32/6
D627,529 S *	11/2010	Jeon et al.	.....	D32/6

D631,623 S *	1/2011	Chung et al.	.....	D32/6
D633,262 S *	2/2011	Jeon et al.	.....	D32/6
D634,492 S *	3/2011	Chung et al.	.....	D32/6

(Continued)

FOREIGN PATENT DOCUMENTS

CN	302034039	*	10/2009
CN	301263638	*	6/2010

(Continued)

OTHER PUBLICATIONS

LG DLGX8001V, Announced Jul. 7, 2012, [Site Visited Feb. 19, 2015][http://www.canadianappliance.ca/product/LG\\_DLGX8001V\\_Dryers\\_LG\\_DLGX8001V.html](http://www.canadianappliance.ca/product/LG_DLGX8001V_Dryers_LG_DLGX8001V.html).\*

(Continued)

*Primary Examiner* — Eric Goodman

*Assistant Examiner* — Luqman McNeil

(74) *Attorney, Agent, or Firm* — Morgan, Lewis & Bockius LLP

(57) **CLAIM**

The ornamental design for a washing machine, as shown and described.

**DESCRIPTION**

FIG. 1 is a perspective view of a washing machine showing our new design;

FIG. 2 is a front view thereof;

FIG. 3 is a rear view thereof;

FIG. 4 is a left side view thereof;

FIG. 5 is a right side view thereof;

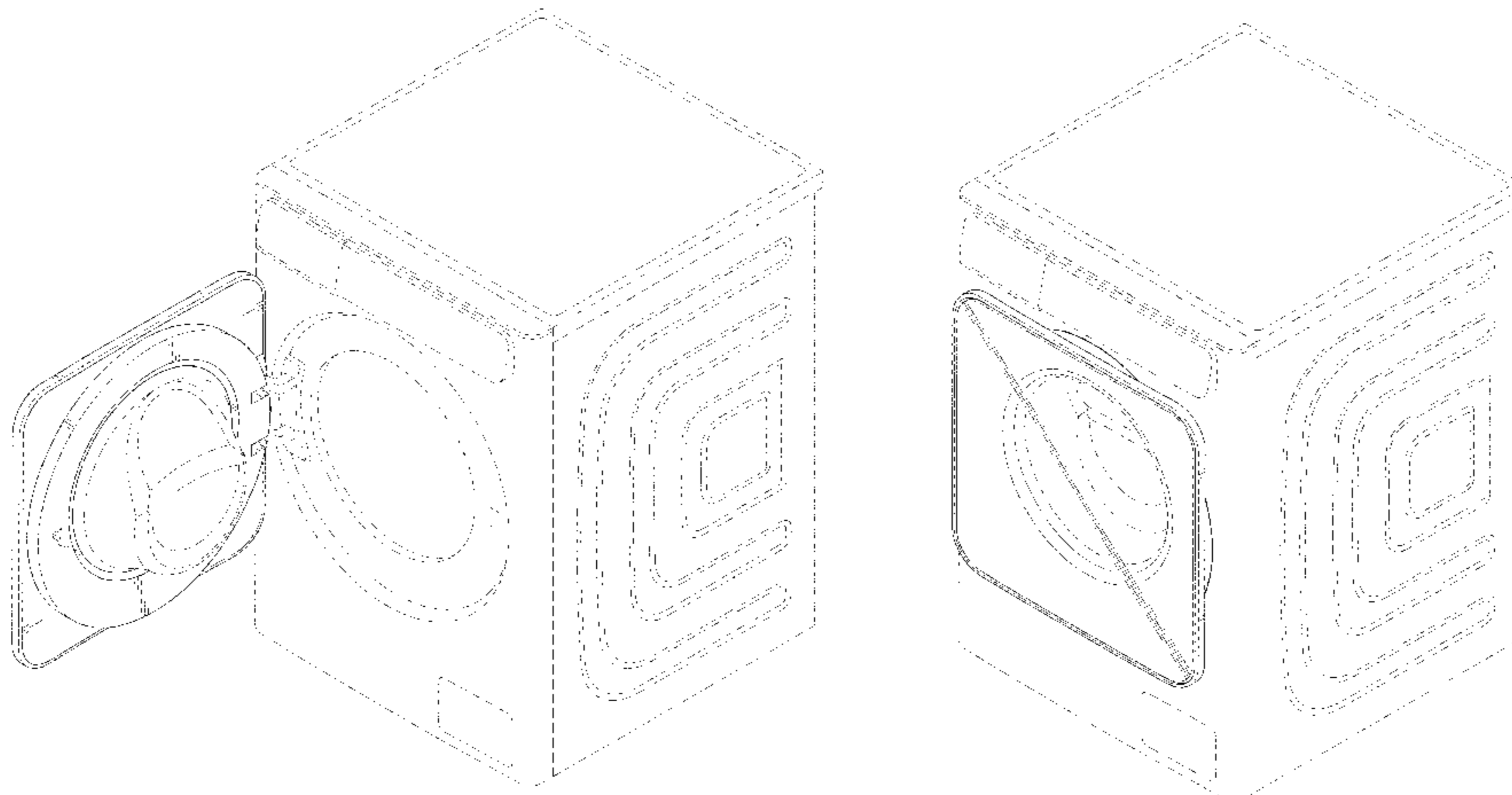
FIG. 6 is a top plan view thereof;

FIG. 7 is a bottom plan view thereof; and,

FIG. 8 is a perspective view thereof showing the state that the door of the washing machine is closed.

The broken line showing is included for the purposes of illustrating unclaimed portions of the article and forms no part of the claimed design.

**1 Claim, 8 Drawing Sheets**



(56)

**References Cited**

U.S. PATENT DOCUMENTS

D635,313 S \* 3/2011 Jeon et al. .... D32/6  
D642,753 S \* 8/2011 Ha ..... D32/6  
D649,722 S \* 11/2011 Chung et al. .... D32/6  
D663,907 S \* 7/2012 Jeon et al. .... D32/6  
D663,908 S \* 7/2012 Jeon et al. .... D32/6  
D703,886 S \* 4/2014 Ha et al. .... D32/6

FOREIGN PATENT DOCUMENTS

JP D1257592 \* 12/2005  
KR 30-0424478 9/2006

KR 30-0494085 6/2008  
KR 30-0559737 4/2010  
KR 30-0637660 3/2012  
KR 30-0656552 8/2012

OTHER PUBLICATIONS

This Beauty of A Bendix Washer & Dryer. Announced Jan. 1, 2011,  
[Site Visited Feb. 19, 2015] <http://www.automaticwasher.org/cgi-bin/TD/TD-VIEWTHREAD.cgi?32194>.\*

\* cited by examiner

FIG. 1

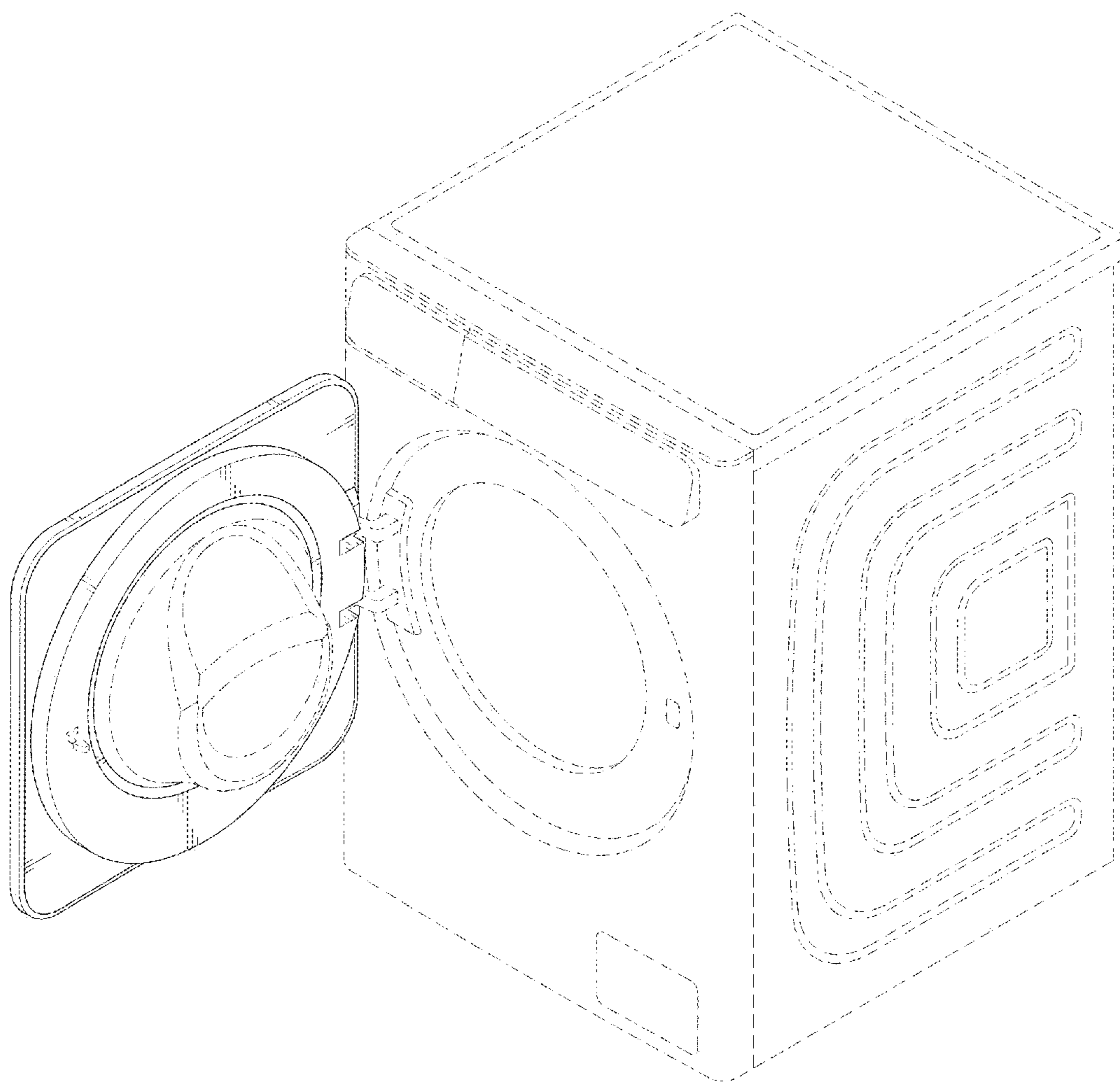
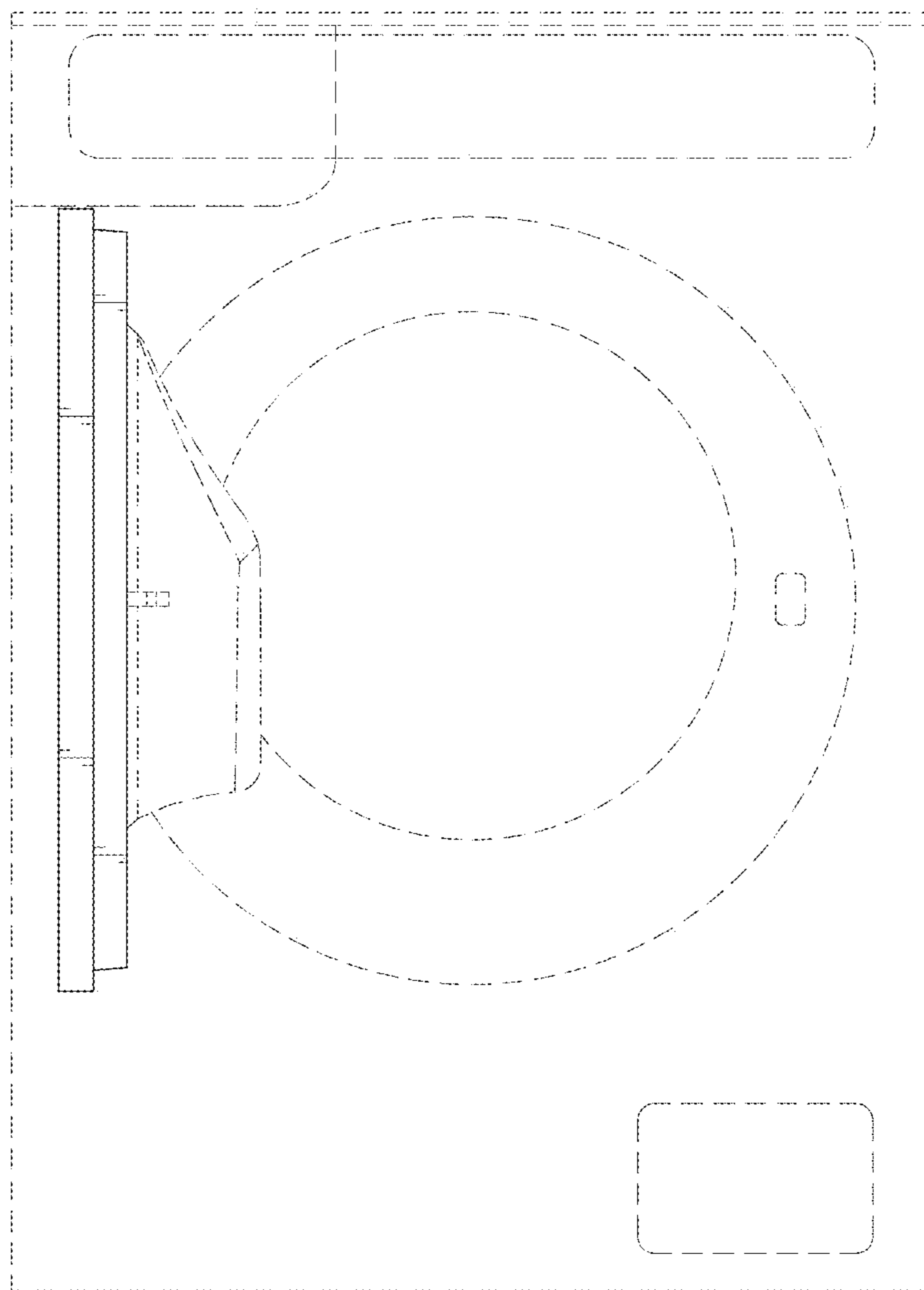


FIG. 2



**FIG. 3**

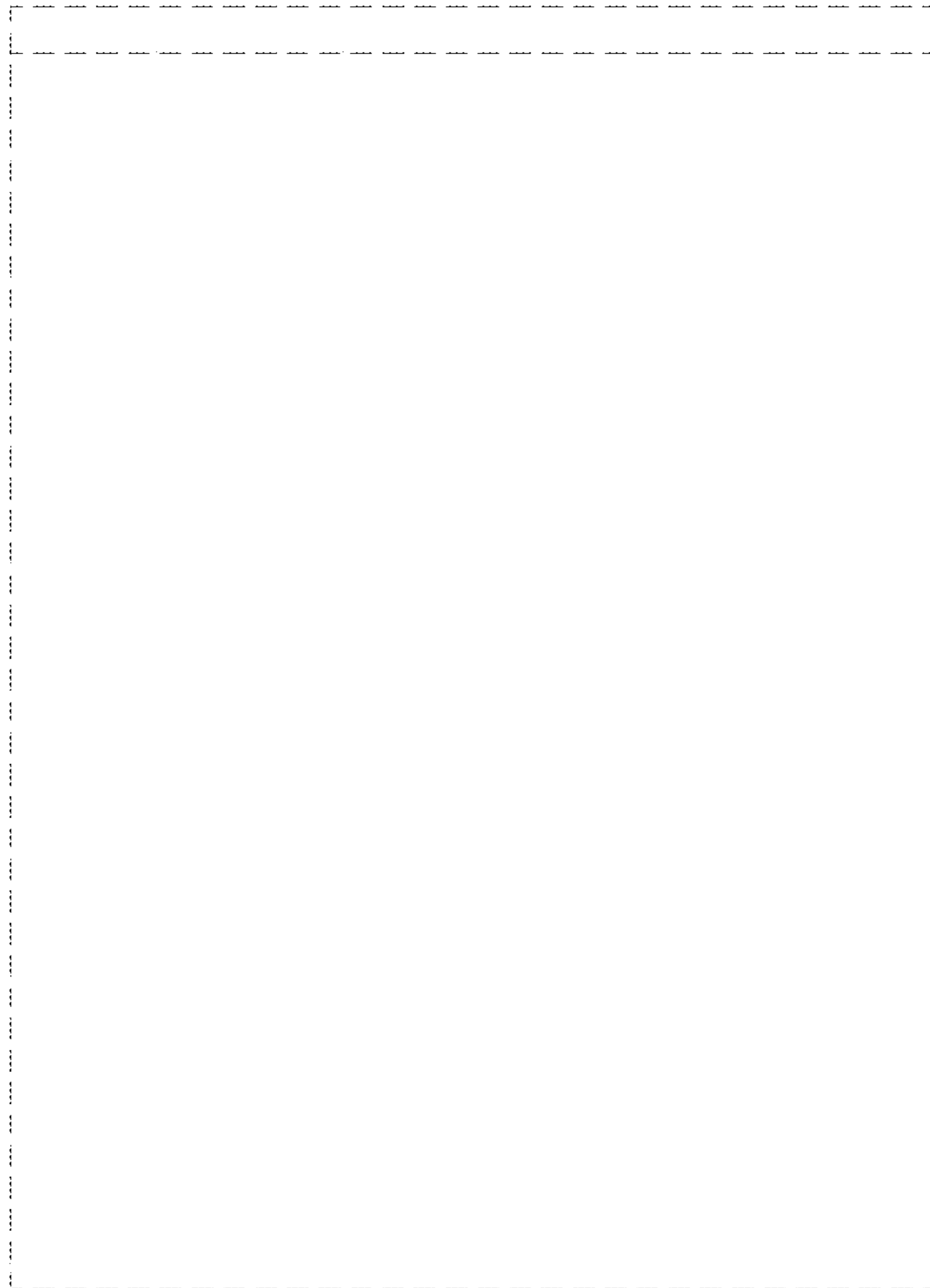


FIG. 4

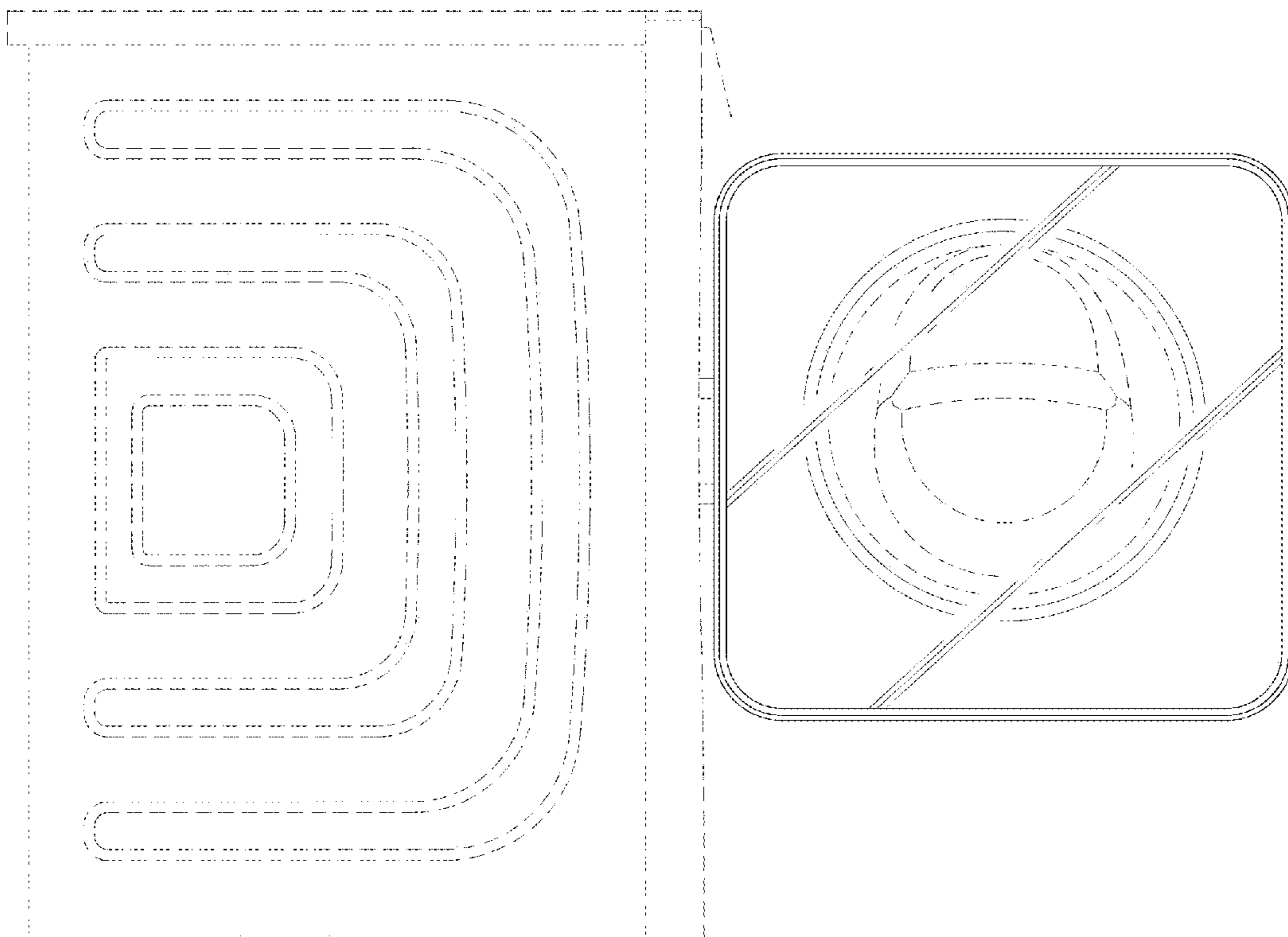


FIG. 5

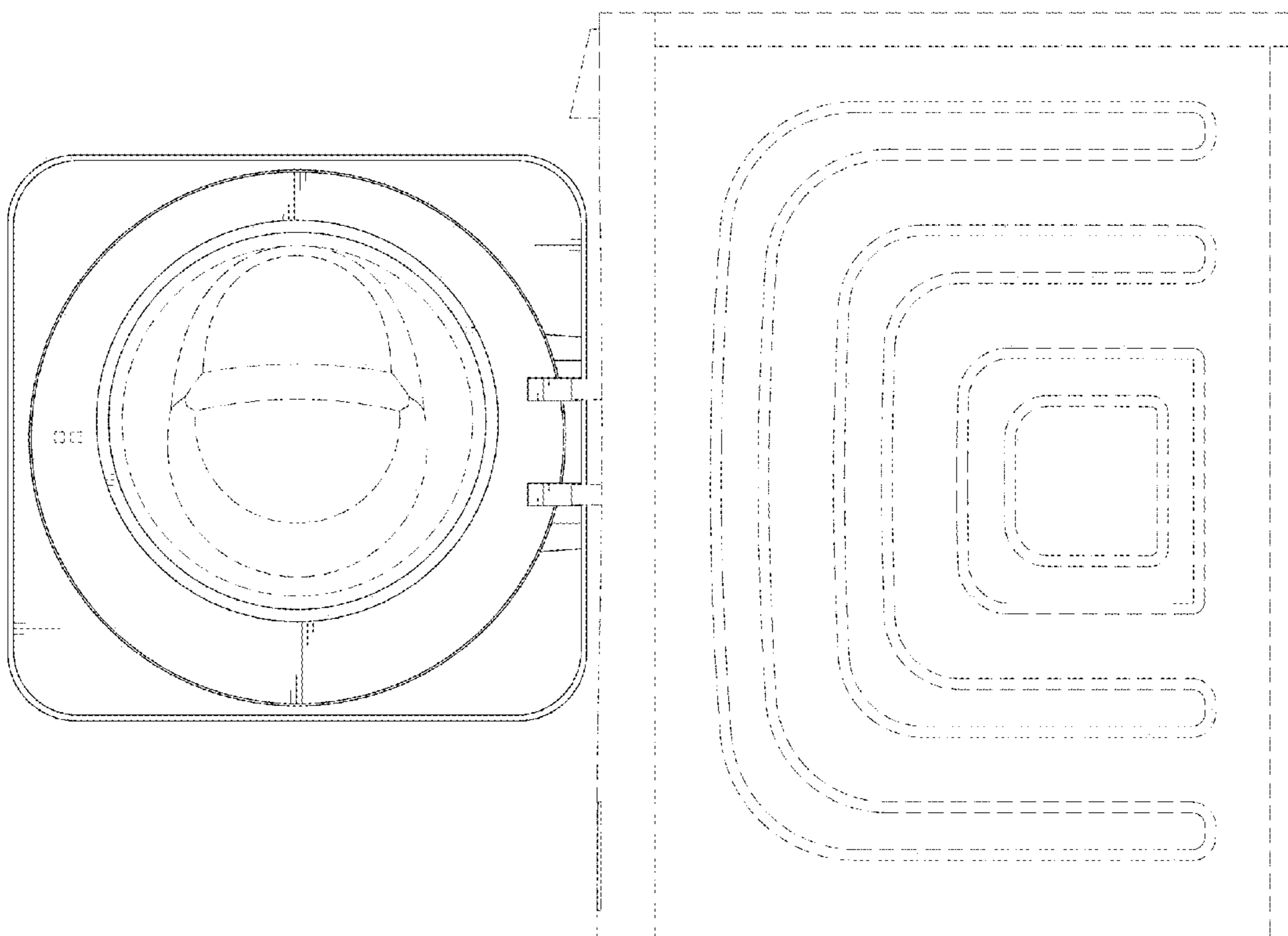


FIG. 6

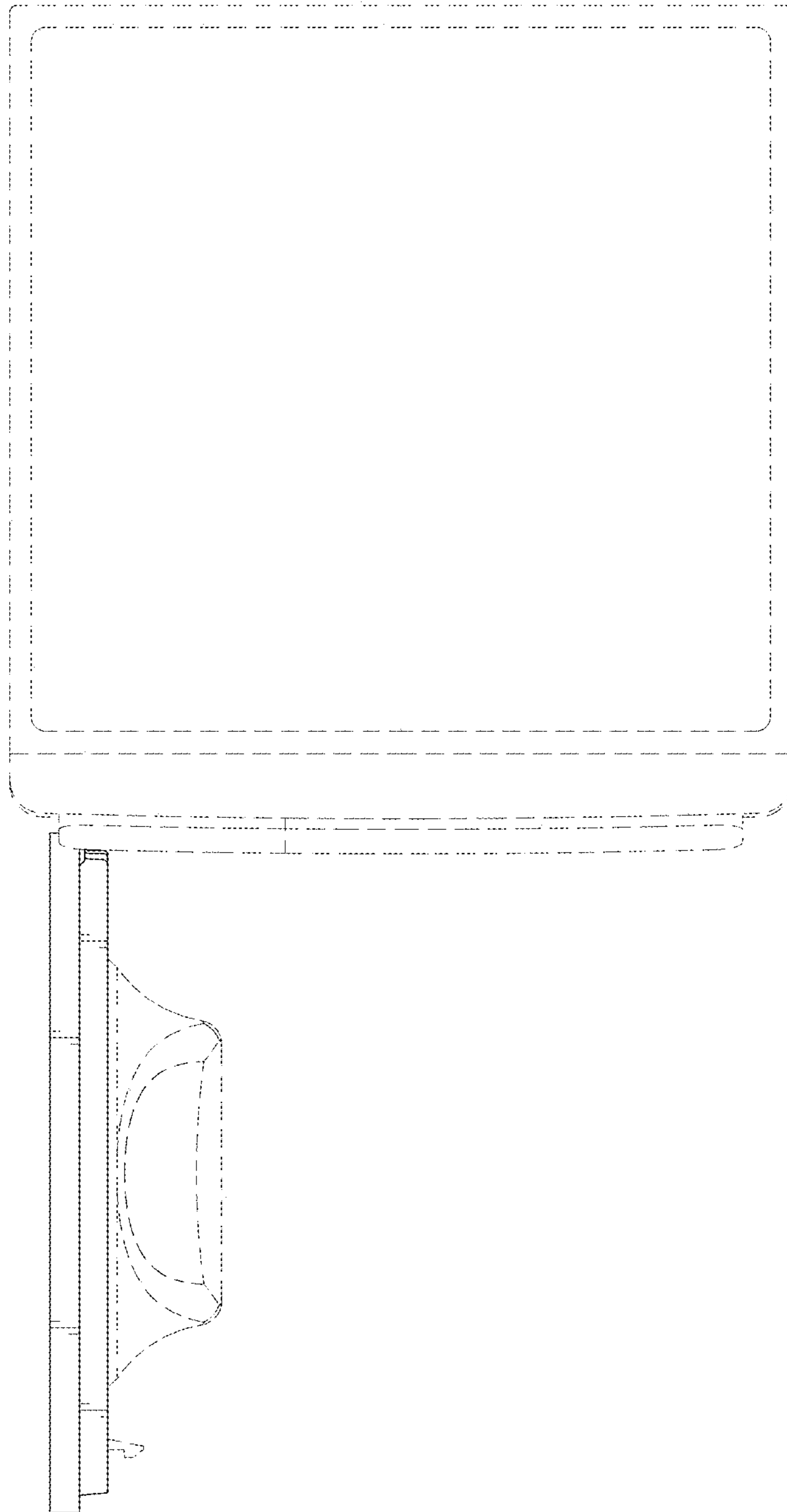




FIG. 7

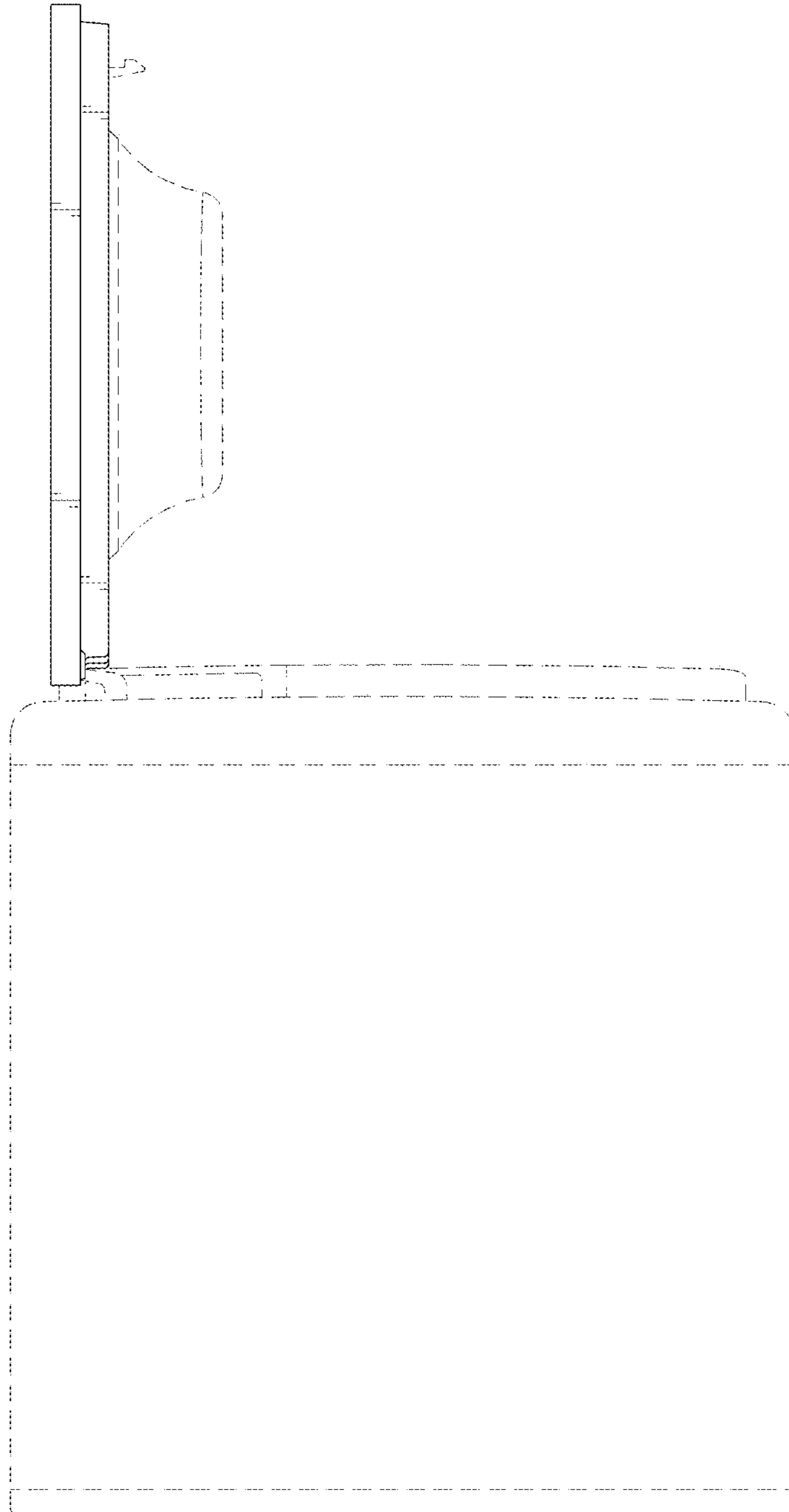


FIG. 8

