



US00D746004S

(12) **United States Design Patent**
Murray et al.

(10) **Patent No.:** **US D746,004 S**

(45) **Date of Patent:** **** Dec. 22, 2015**

(54) **BLOWER**

(71) Applicant: **Blount, Inc.**, Portland, OR (US)

(72) Inventors: **Tom Murray**, Philadelphia, PA (US);
Erik Jensen, Portland, OR (US)

(73) Assignee: **Blount, Inc.**, Portland, OR (US)

(**) Term: **14 Years**

(21) Appl. No.: **29/513,058**

(22) Filed: **Dec. 24, 2014**

(51) **LOC (10) Cl.** **15-05**

(52) **U.S. Cl.**
USPC **D32/15; D15/12**

(58) **Field of Classification Search**
USPC D15/11, 12, 5, 17; D32/1, 15-19, 21,
D32/25; D23/213, 383; 15/328, 329, 330,
15/344, 345, 404, 405, 414, 339, 415.1,
15/413, 326; 417/236, 423.1, 423.3
CPC A47L 5/14; A47L 9/32; A01G 1/125;
F04B 17/00; F04B 35/04
See application file for complete search history.

(56) **References Cited**

U.S. PATENT DOCUMENTS

D258,908 S *	4/1981	Satoh	D23/383
D322,971 S *	1/1992	Tuggle et al.	D15/13
D359,603 S *	6/1995	Rakocy et al.	D32/15
D363,149 S *	10/1995	Franke et al.	D32/15
D400,322 S *	10/1998	Webster et al.	D32/15
D408,950 S *	4/1999	Basham	D32/15
D431,697 S *	10/2000	Hayakawa et al.	D32/15
D461,604 S *	8/2002	Martin et al.	D32/15
D469,931 S *	2/2003	Nawrozki et al.	D32/15

6,552,891 B1 *	4/2003	Prach	361/212
D480,844 S *	10/2003	Noma et al.	D32/15
D497,692 S *	10/2004	Nawrozki et al.	D32/15
D498,885 S *	11/2004	Robson	D32/15
D526,750 S *	8/2006	Ito	D32/15
D538,984 S *	3/2007	King	D32/15
D558,939 S *	1/2008	Yuasa	D32/15
D569,055 S *	5/2008	Bochmann et al.	D32/15
D577,113 S *	9/2008	Tinius	D23/383
D584,461 S *	1/2009	Sweeney	D32/15
D591,916 S *	5/2009	Kosugi et al.	D32/15
D594,961 S *	6/2009	Tinius	D23/383
D605,819 S *	12/2009	Tinius	D32/15
D615,716 S *	5/2010	Tinius	D32/15
D638,035 S *	5/2011	Kosugi et al.	D15/5

* cited by examiner

Primary Examiner — Mark Goodwin

(74) *Attorney, Agent, or Firm* — Schwabe Williamson & Wyatt

(57) **CLAIM**

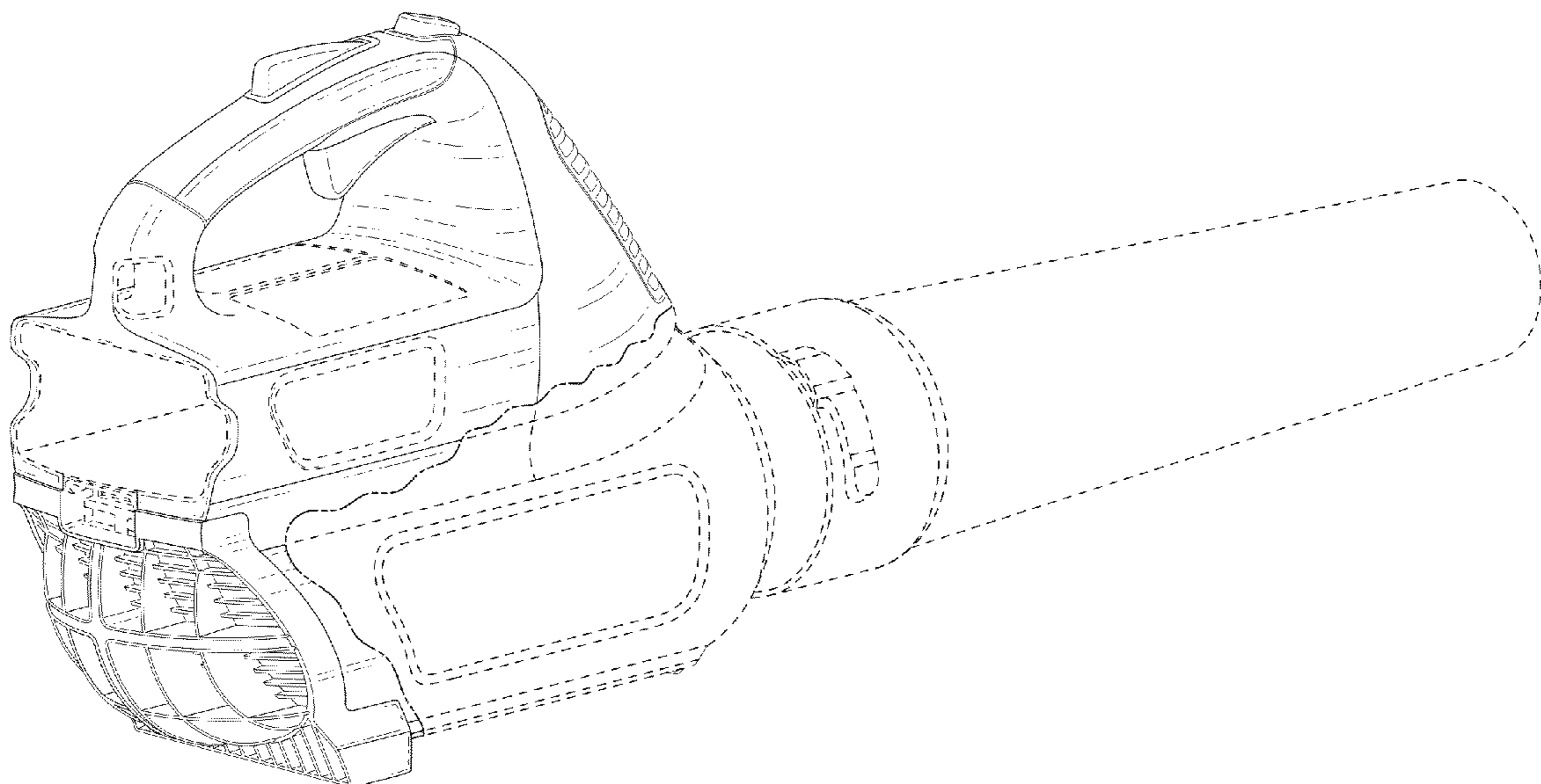
We claim the ornamental design for a blower, as shown and described.

DESCRIPTION

FIG. 1 is a perspective view of a blower showing our new design;
FIG. 2 is a left side view thereof;
FIG. 3 is a right side view thereof;
FIG. 4 is a top view thereof;
FIG. 5 is a bottom view thereof;
FIG. 6 is a front view thereof; and,
FIG. 7 is a back view thereof.

The dashed lines are included for illustrating environmental structure and form no part of the claimed design.

1 Claim, 5 Drawing Sheets



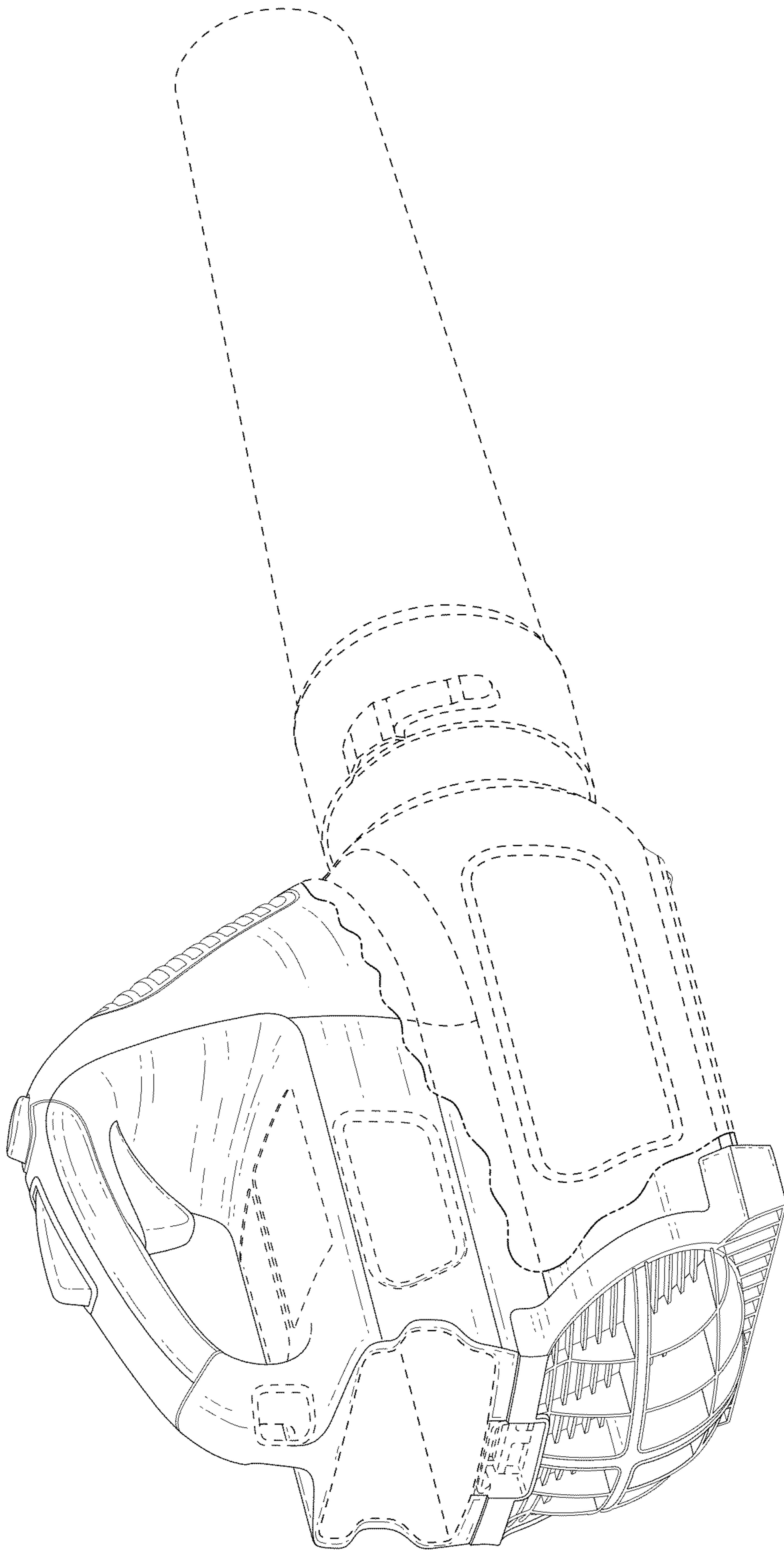


FIG. 1

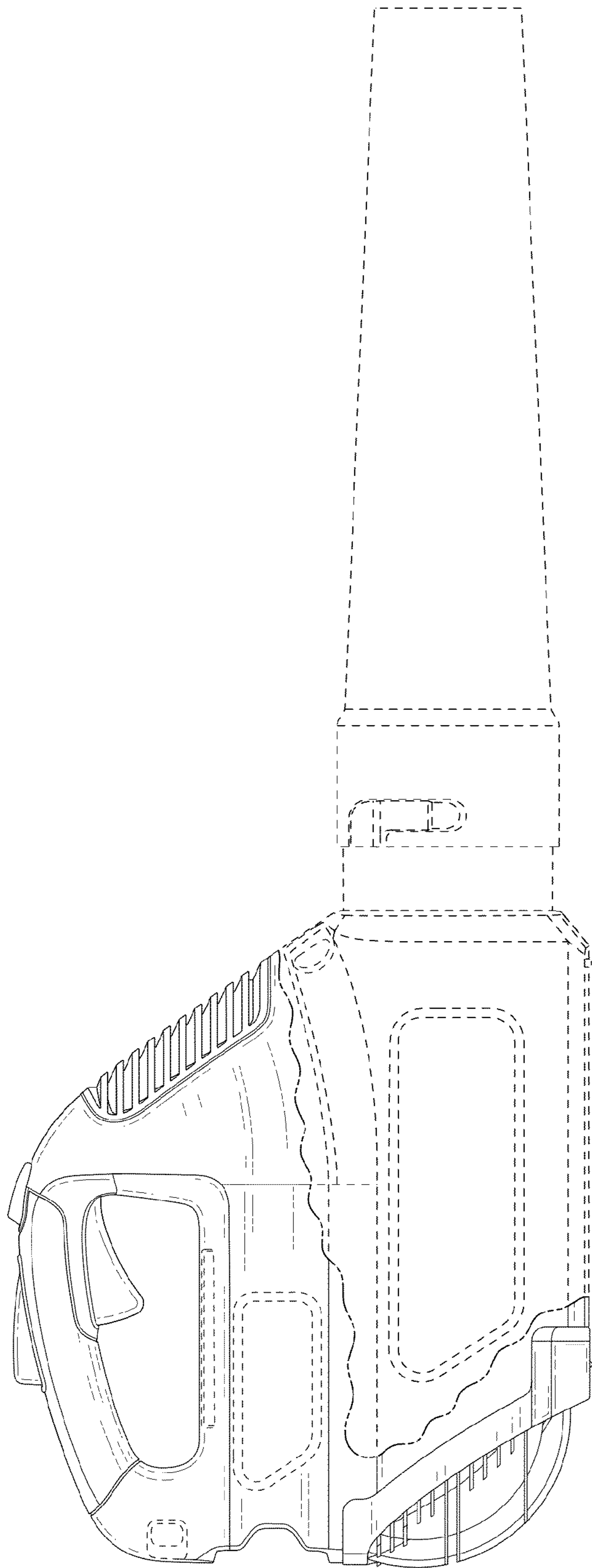


FIG. 2

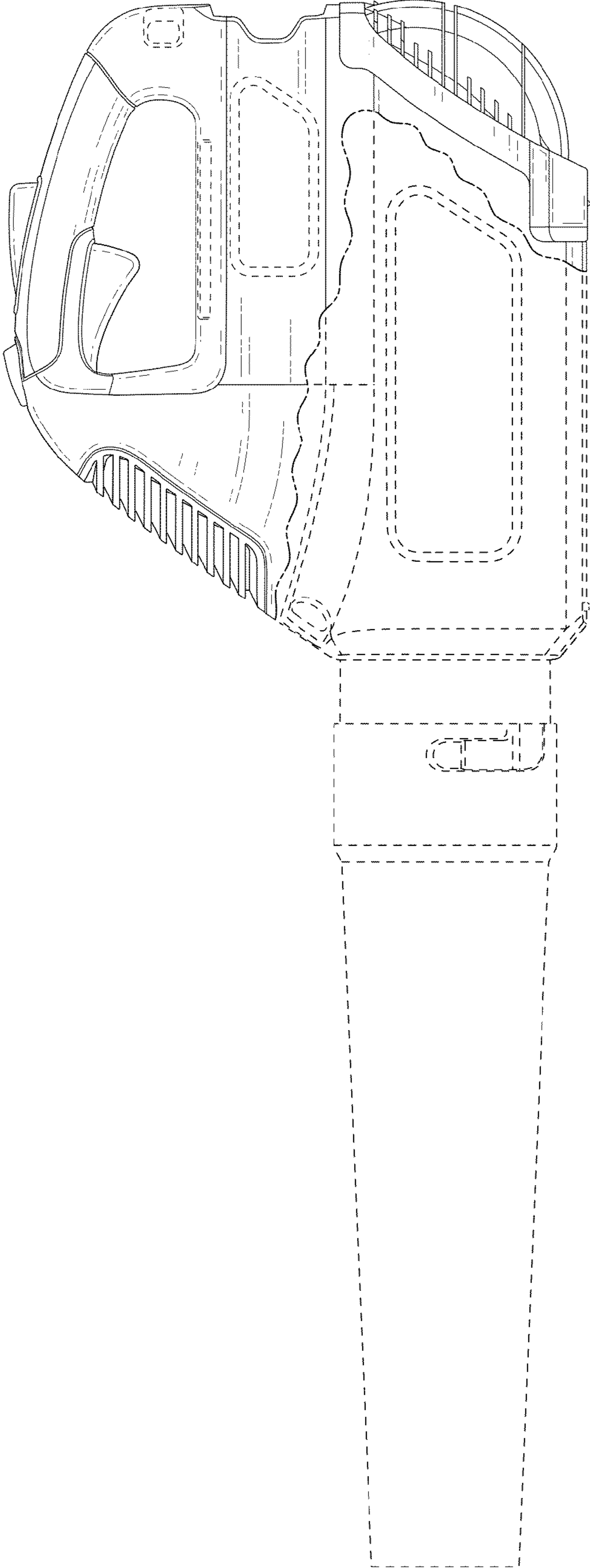


FIG. 3

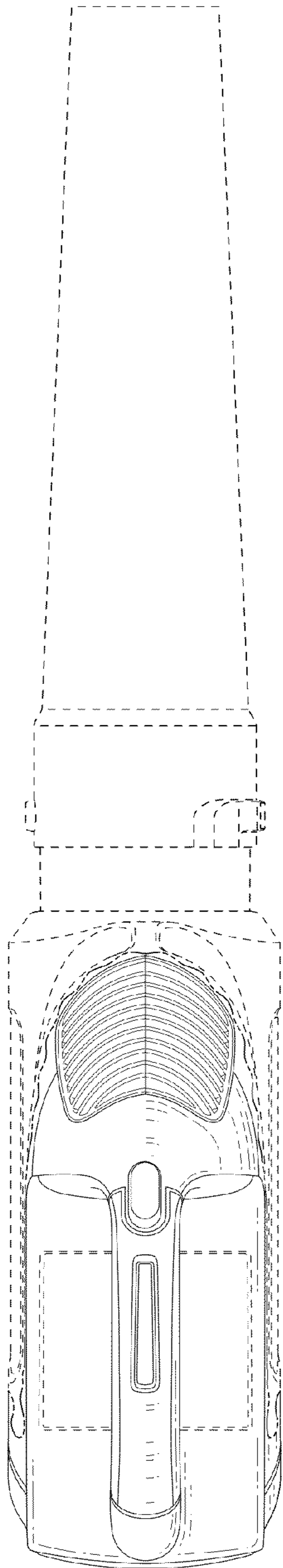


FIG. 4

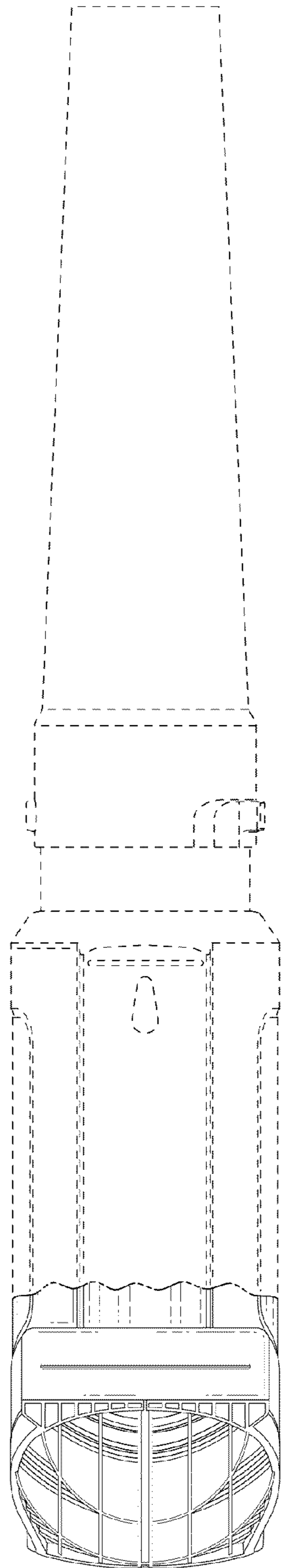


FIG. 5

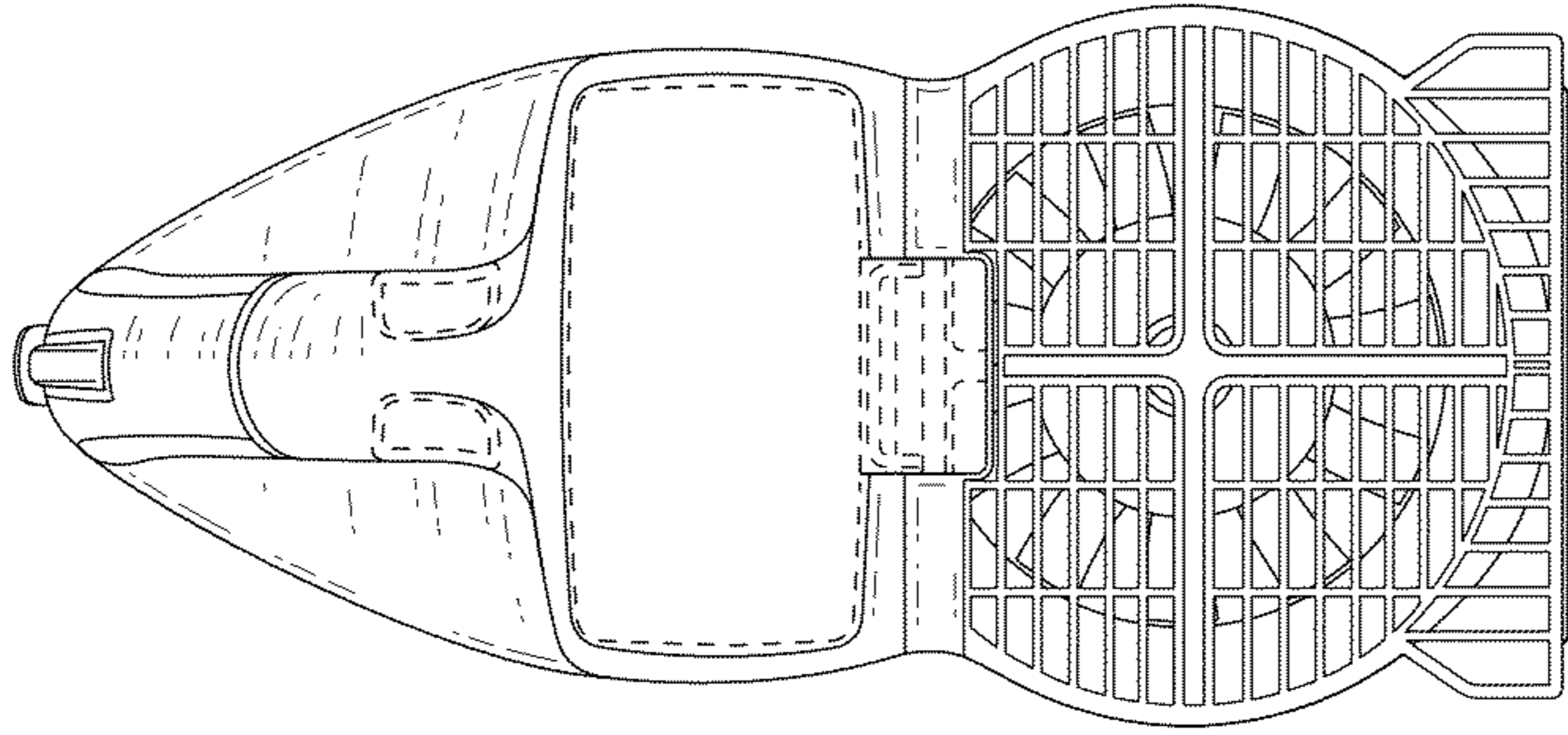


FIG. 7

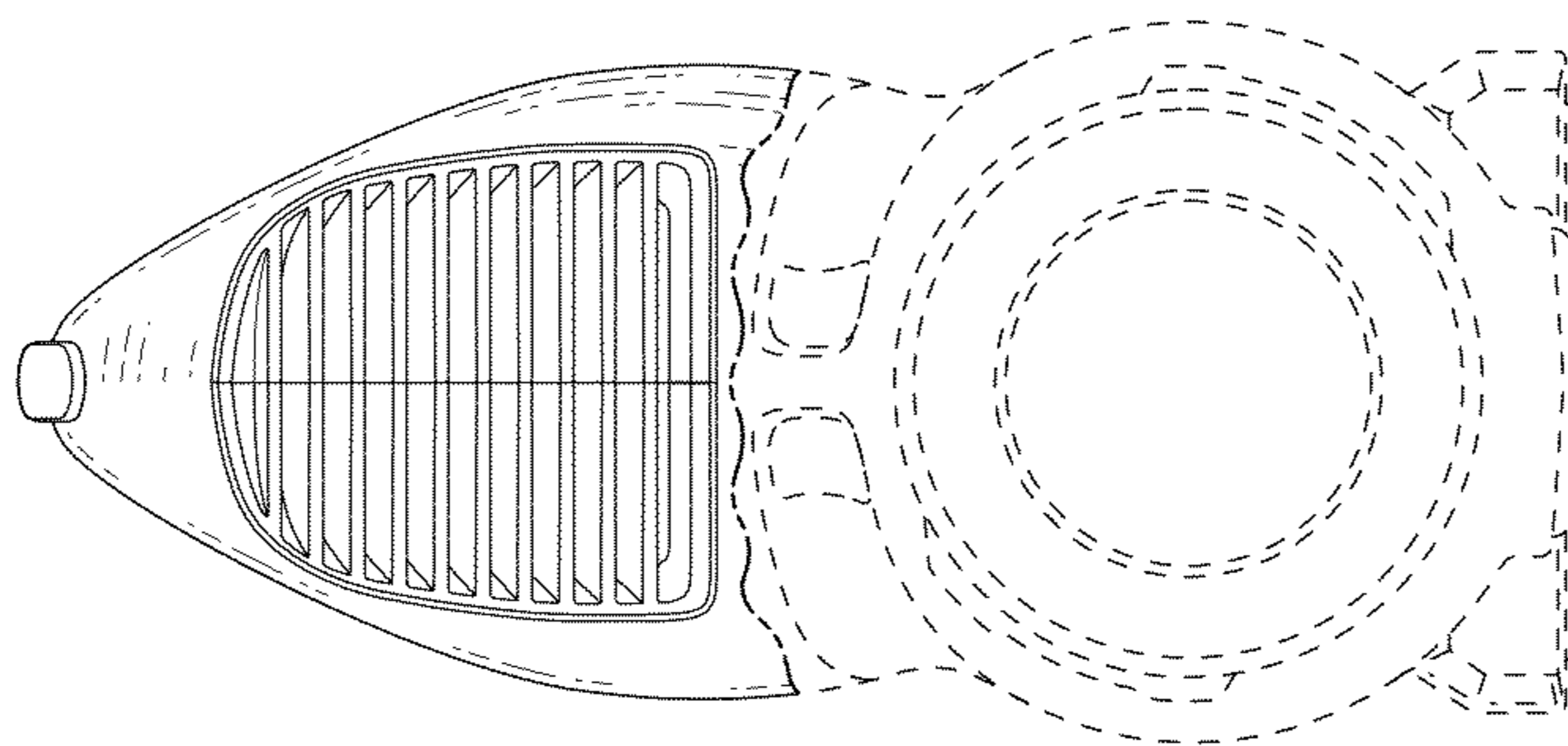


FIG. 6