



US00D746002S

(12) **United States Design Patent**  
**Crane**

(10) **Patent No.:** **US D746,002 S**

(45) **Date of Patent:** **\*\* Dec. 22, 2015**

(54) **PET TOY**

(71) Applicant: **The Kong Company, LLC**, Golden, CO  
(US)

(72) Inventor: **Sabine S. Crane**, San Clemente, CA  
(US)

(73) Assignee: **The Kong Company, LLC**, Golden, CO  
(US)

(\*\*) Term: **14 Years**

(21) Appl. No.: **29/483,252**

(22) Filed: **Feb. 26, 2014**

(51) **LOC (10) Cl.** ..... **30-99**

(52) **U.S. Cl.**  
USPC ..... **D30/160**

(58) **Field of Classification Search**  
USPC ..... D30/160; D21/386, 707, 712-713;  
D24/194-195; 119/702, 707-711;  
273/154; 446/324, 488; 473/281, 570,  
473/594-596, 614; 482/45, 110  
See application file for complete search history.

(56) **References Cited**

**U.S. PATENT DOCUMENTS**

D241,869 S \* 10/1976 Hilprecht ..... D21/713  
D242,865 S \* 12/1976 Stamm ..... D21/682

D363,752 S \* 10/1995 Shumber et al. .... D21/678  
6,003,470 A \* 12/1999 Budman ..... 119/711  
D453,240 S \* 1/2002 Simon ..... D30/160  
D503,758 S \* 4/2005 Crane et al. .... D21/707  
7,044,820 B2 \* 5/2006 Ladisa ..... 441/81  
D545,509 S \* 6/2007 Wang ..... D30/160  
D556,275 S \* 11/2007 Crane et al. .... D21/713  
7,326,122 B2 \* 2/2008 Park ..... 482/110  
D568,950 S \* 5/2008 Yewer, Jr. .... D21/662  
D651,671 S \* 1/2012 Ross et al. .... D21/680  
D679,351 S \* 4/2013 Reddy ..... D21/713  
D707,303 S \* 6/2014 Saber et al. .... D21/707  
2013/0074780 A1 \* 3/2013 Wechsler ..... 119/710

\* cited by examiner

*Primary Examiner* — Cathy Anne MacCormac

(74) *Attorney, Agent, or Firm* — Burch Dallman LLP

(57) **CLAIM**

The ornamental design for a pet toy, as shown and described.

**DESCRIPTION**

FIG. 1 is a perspective view of a translucent pet toy showing my new design;

FIG. 2 is a front view thereof;

FIG. 3 is a rear view thereof;

FIG. 4 is a left side view thereof;

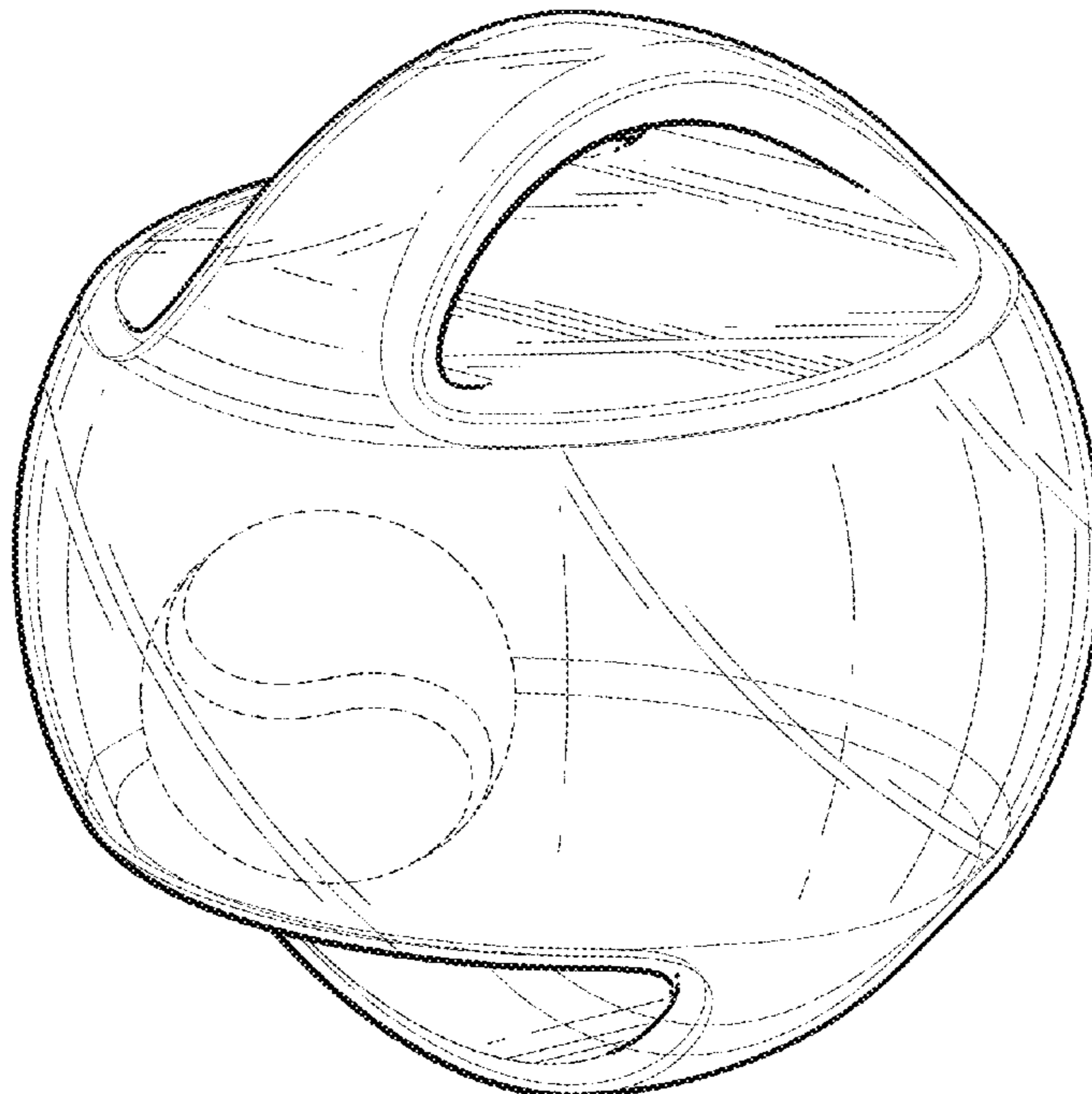
FIG. 5 is a right side view thereof;

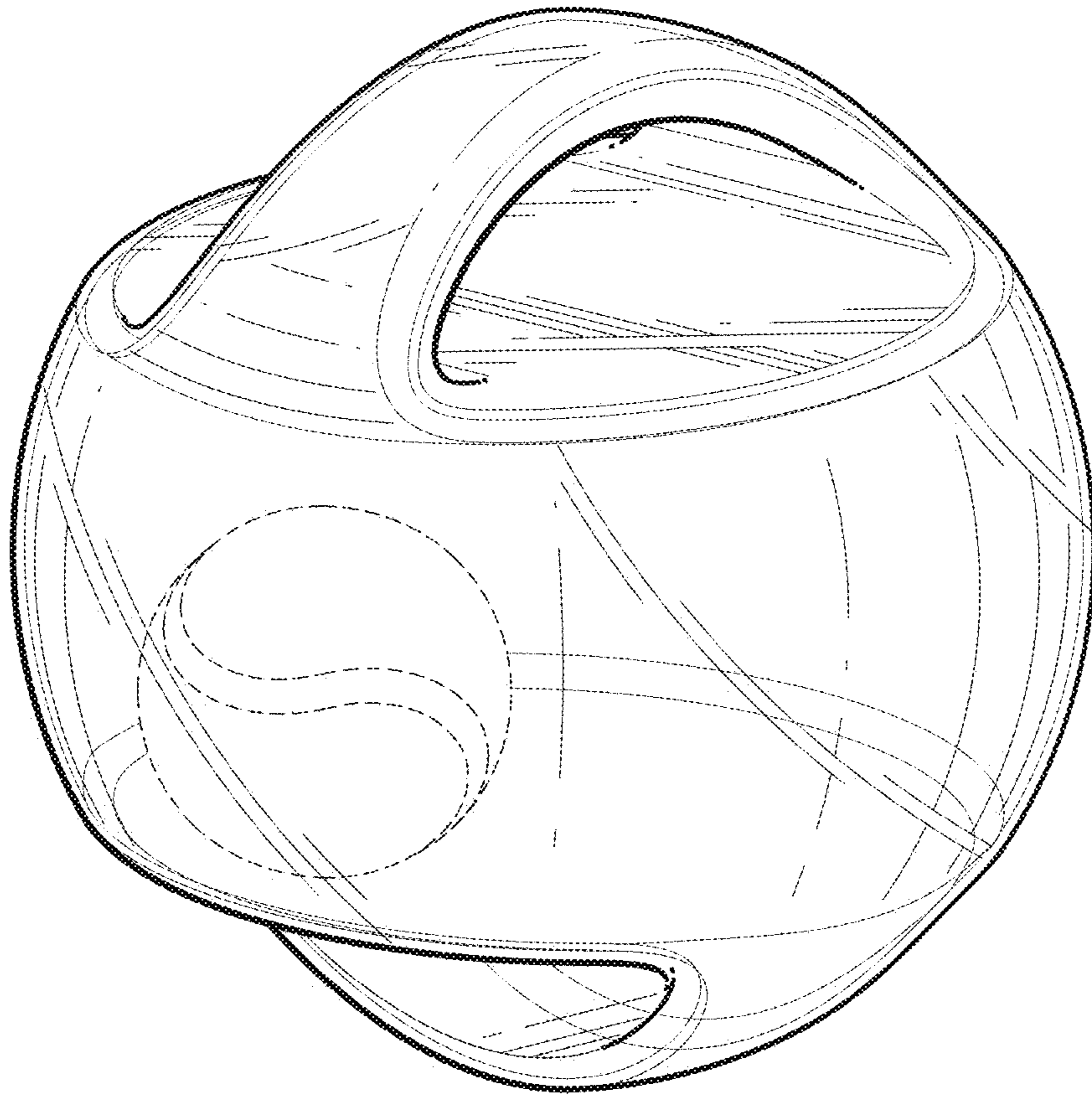
FIG. 6 is a top view thereof; and,

FIG. 7 is a bottom view thereof.

The broken lines depict environmental subject matter, are for illustration only and form no part of the claimed design.

**1 Claim, 4 Drawing Sheets**





*FIG. 1*

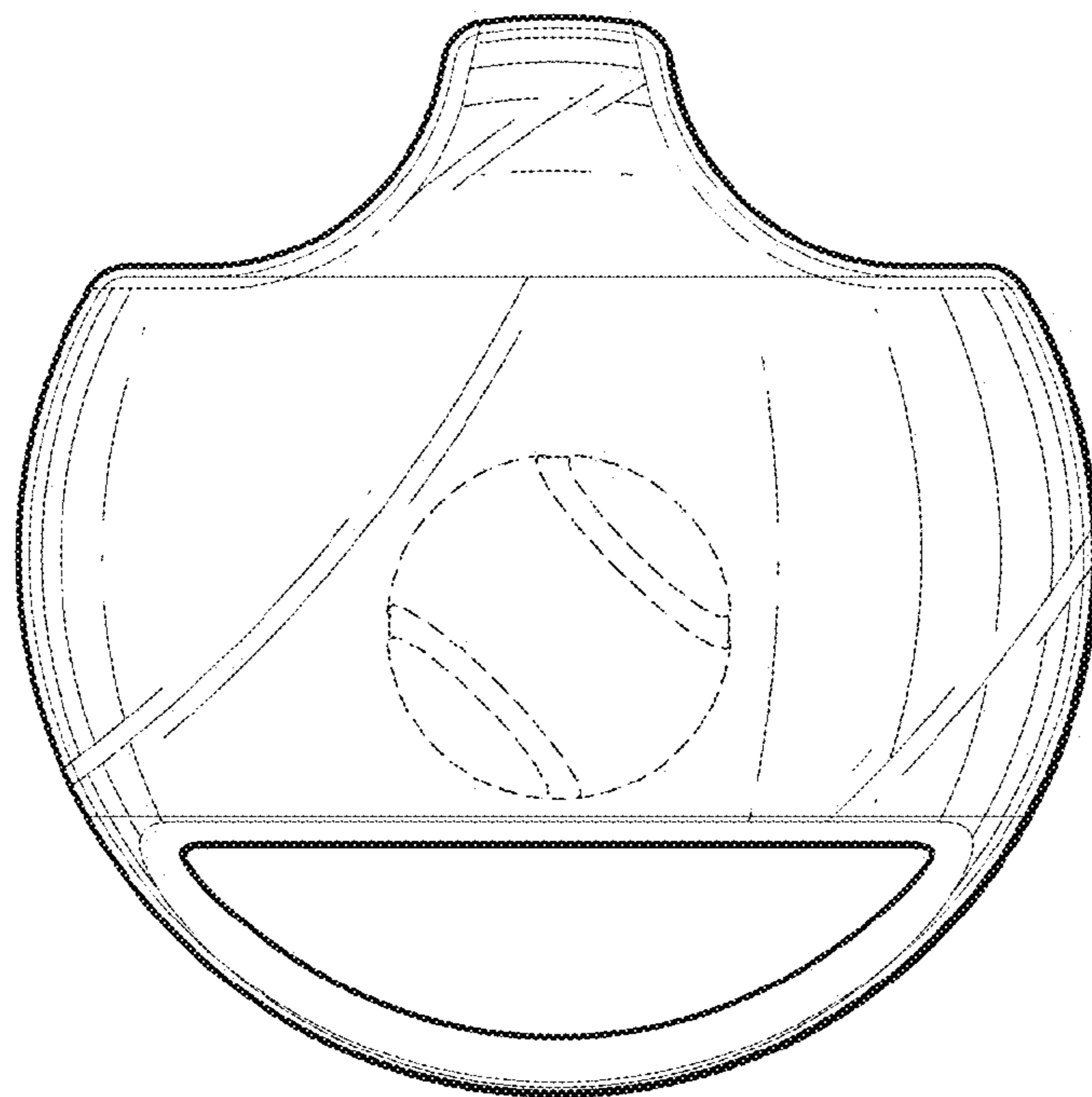


FIG. 2

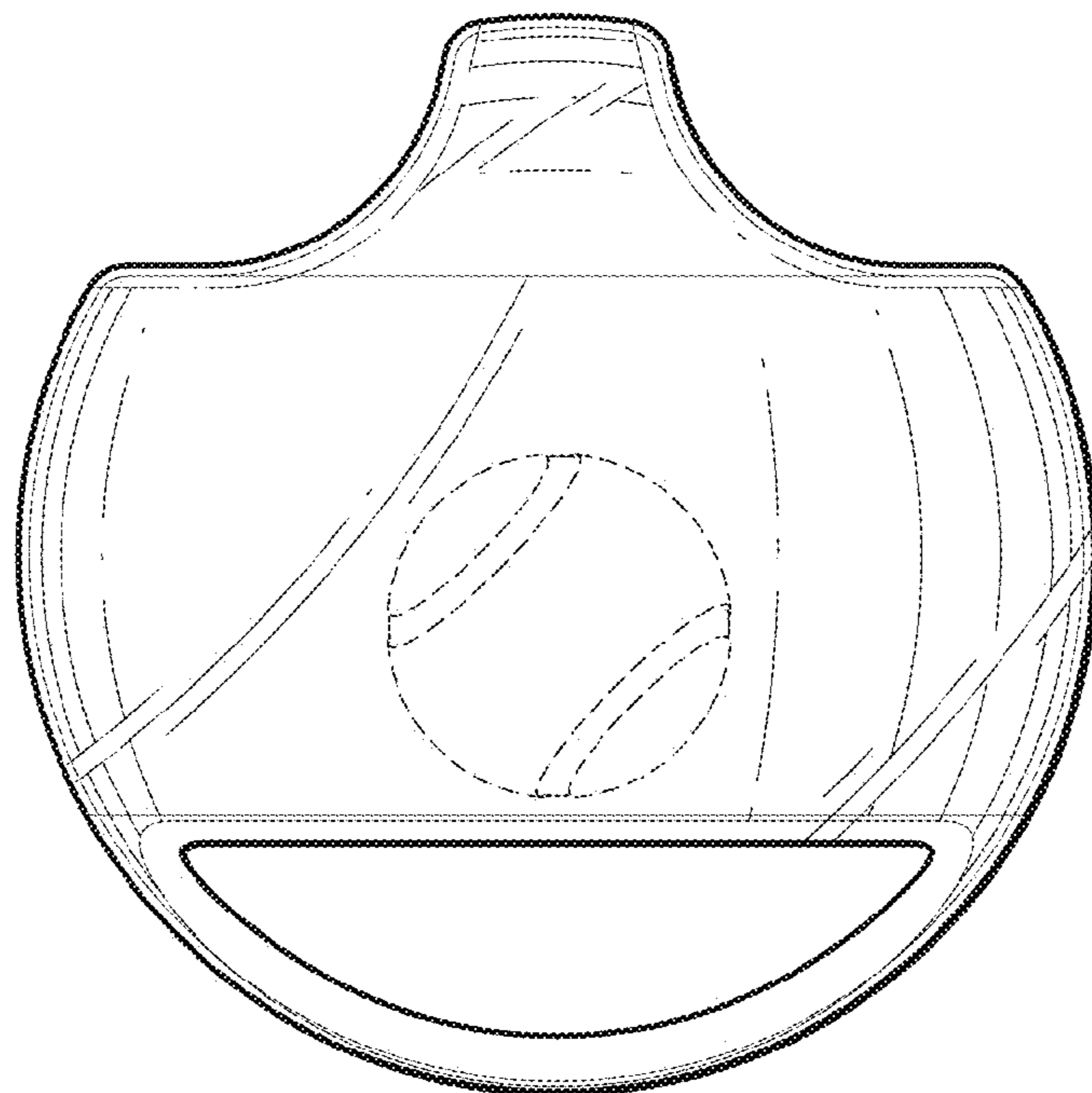


FIG. 3

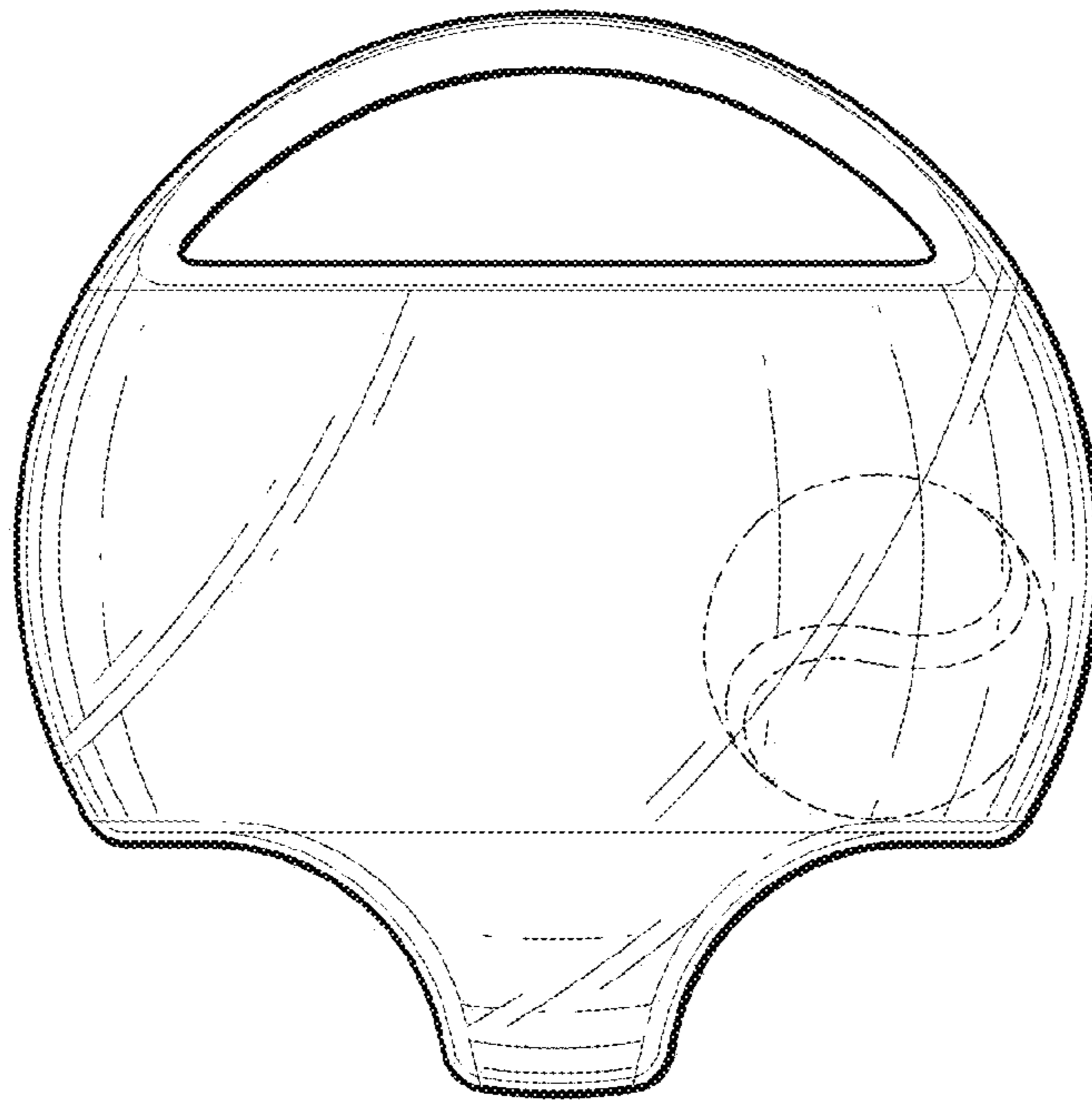


FIG. 4

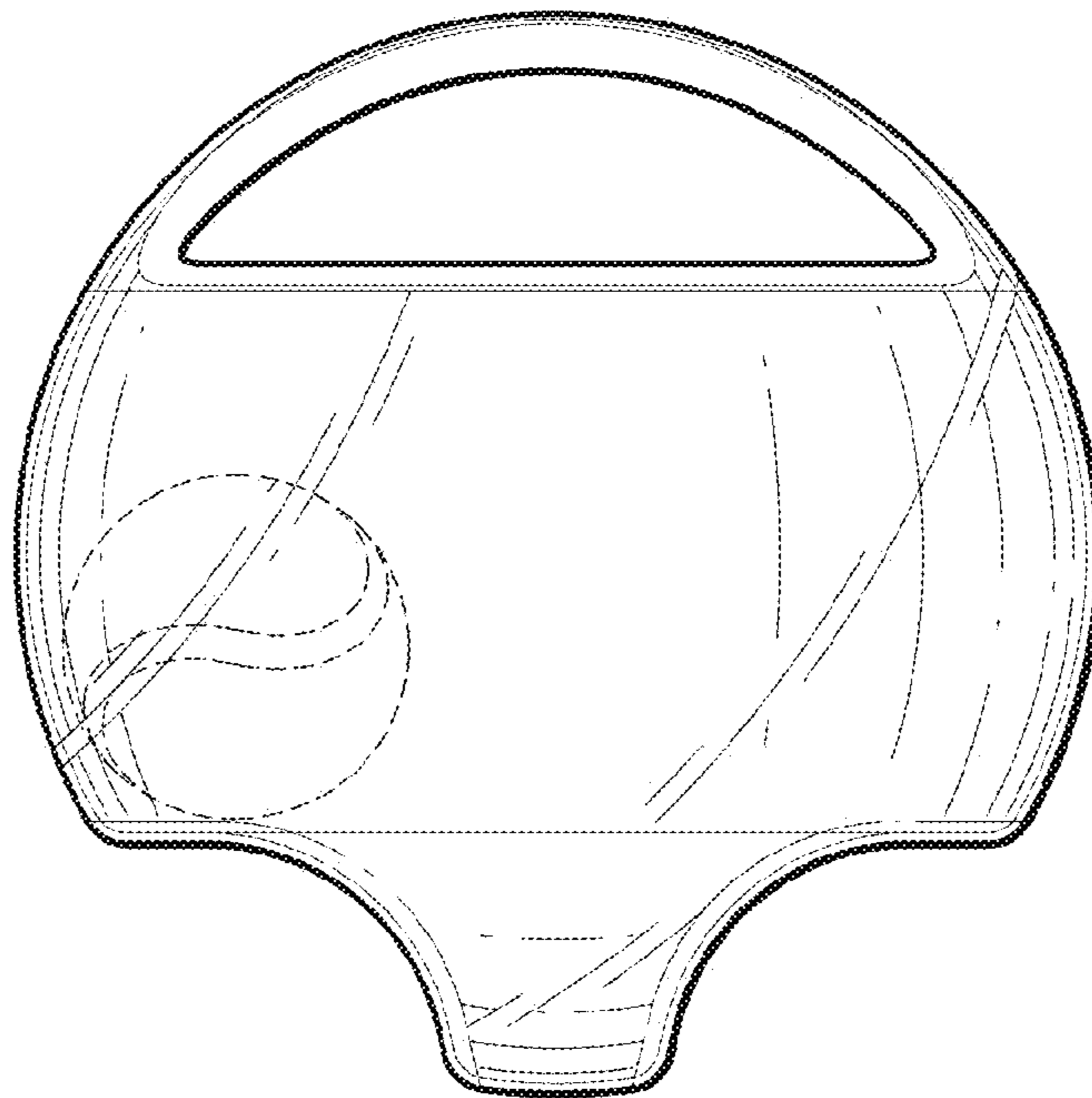


FIG. 5

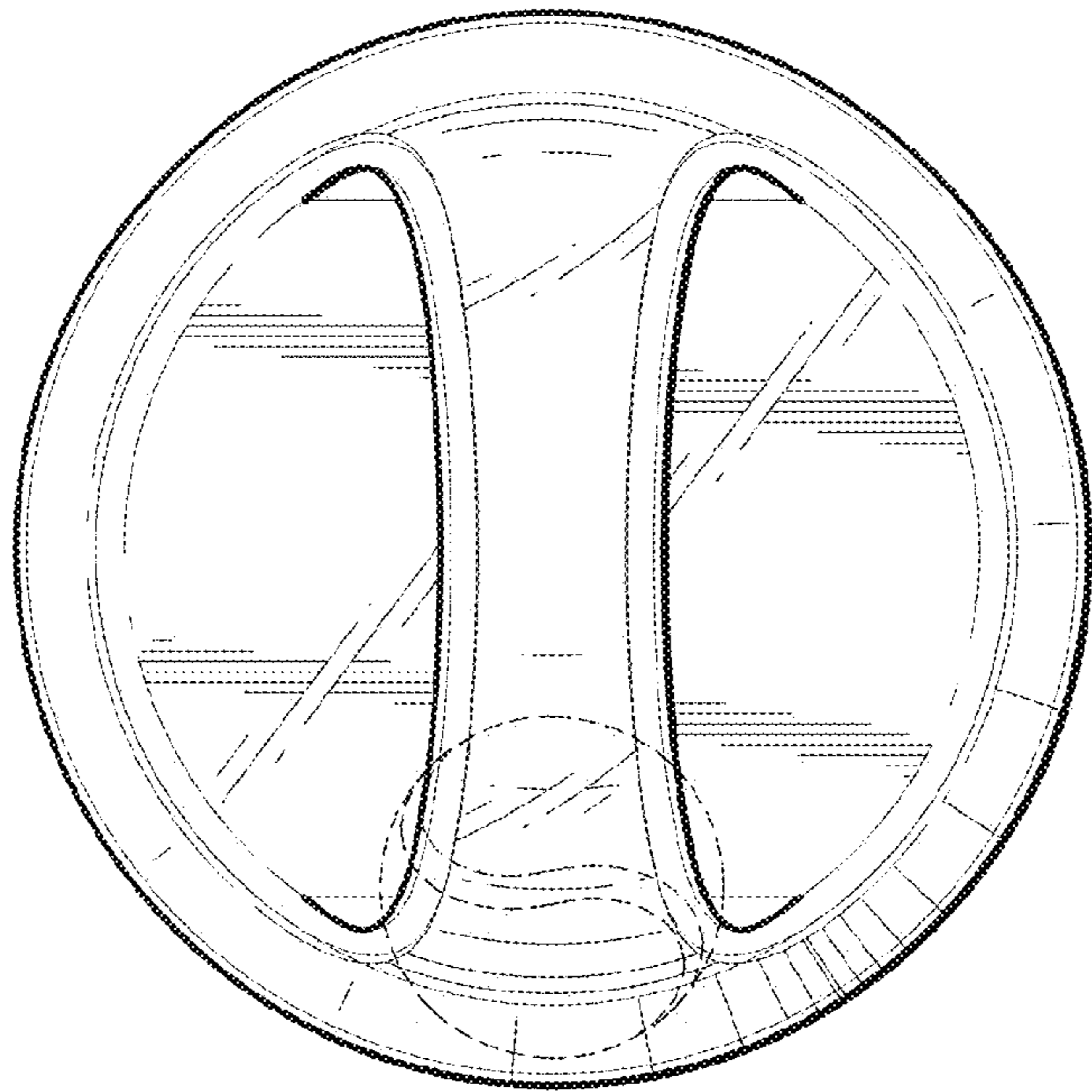


FIG. 6

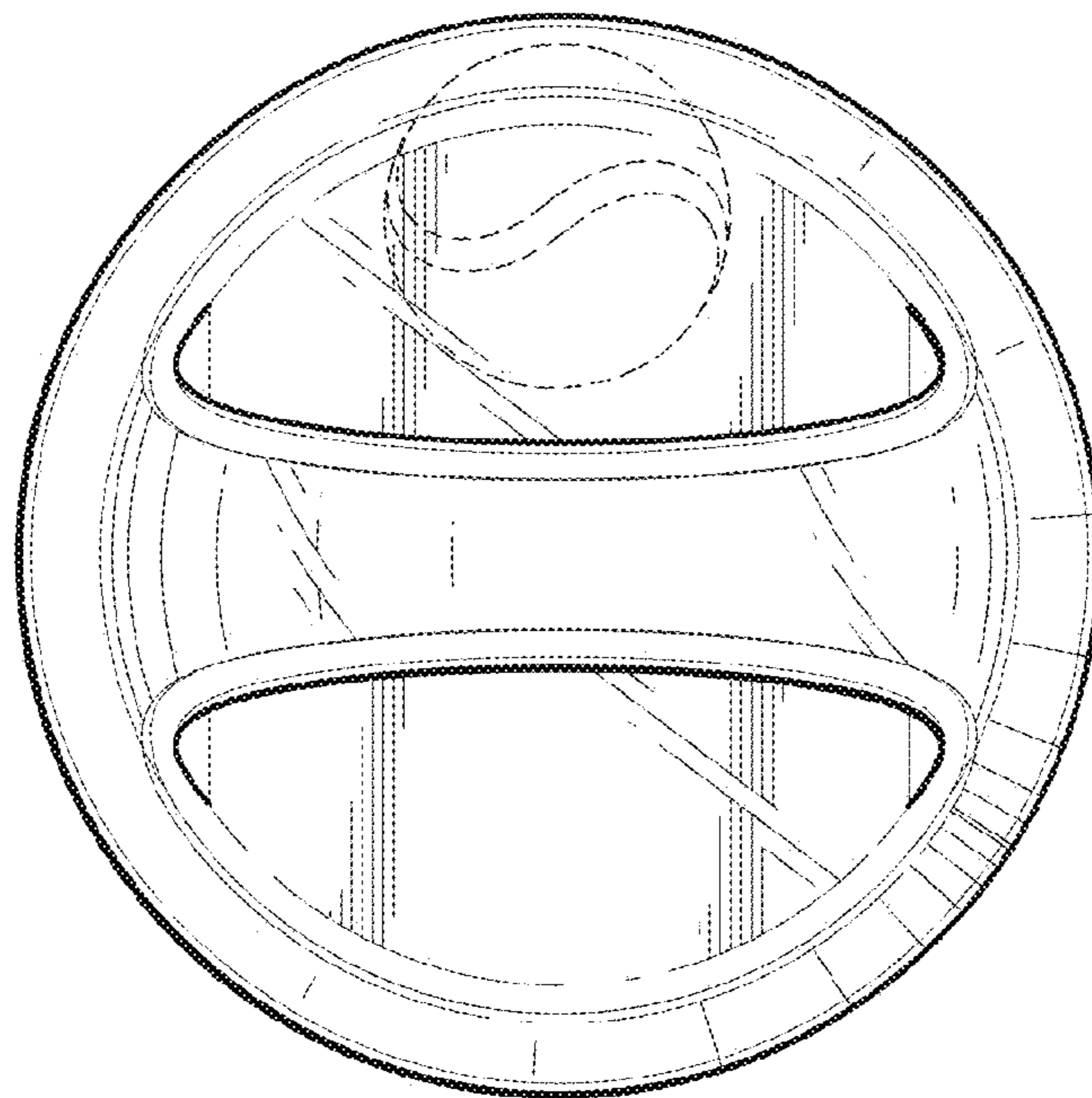


FIG. 7