



US00D745998S

(12) **United States Design Patent**  
**Sansalone**

(10) **Patent No.:** **US D745,998 S**

(45) **Date of Patent:** **\*\* Dec. 22, 2015**

(54) **HELMET**

(71) Applicant: **Skids Productions Inc.**, Whistler (CA)

(72) Inventor: **Kevin Sansalone**, Whistler (CA)

(73) Assignee: **SKIDS PRODUCTIONS INC.**,  
Whistler (CA)

(\*\*) Term: **14 Years**

(21) Appl. No.: **29/483,121**

(22) Filed: **Feb. 25, 2014**

(30) **Foreign Application Priority Data**

Sep. 9, 2013 (CA) ..... 152929

(51) **LOC (10) Cl.** ..... **09-03**

(52) **U.S. Cl.**  
USPC ..... **D29/102**

(58) **Field of Classification Search**

USPC ..... D29/102-107, 122

CPC ..... A42B 1/066; A42B 3/228; A42B 3/08;  
A42B 3/32; A42B 3/00; A42B 3/166; A42B  
3/222; A42B 3/16; A42B 3/20; A42B 3/227;  
A42B 3/105; A42B 3/22; A42B 3/04; A42B  
3/06; A63B 71/10

See application file for complete search history.

(56) **References Cited**

U.S. PATENT DOCUMENTS

D371,224 S *	6/1996	Carlson et al. ....	D29/102
D495,093 S *	8/2004	Tintera .....	D29/102
D574,113 S *	7/2008	Lee .....	D29/102
D600,412 S *	9/2009	Ochoa .....	D29/102
D644,381 S *	8/2011	Sween .....	D29/102
D690,470 S *	9/2013	Manson .....	D29/102
D695,461 S *	12/2013	Velasquez .....	D29/104

\* cited by examiner

*Primary Examiner* — Ruth McInroy

(74) *Attorney, Agent, or Firm* — Richard A. Johnson;  
Borden Ladner Gervais LLP

(57) **CLAIM**

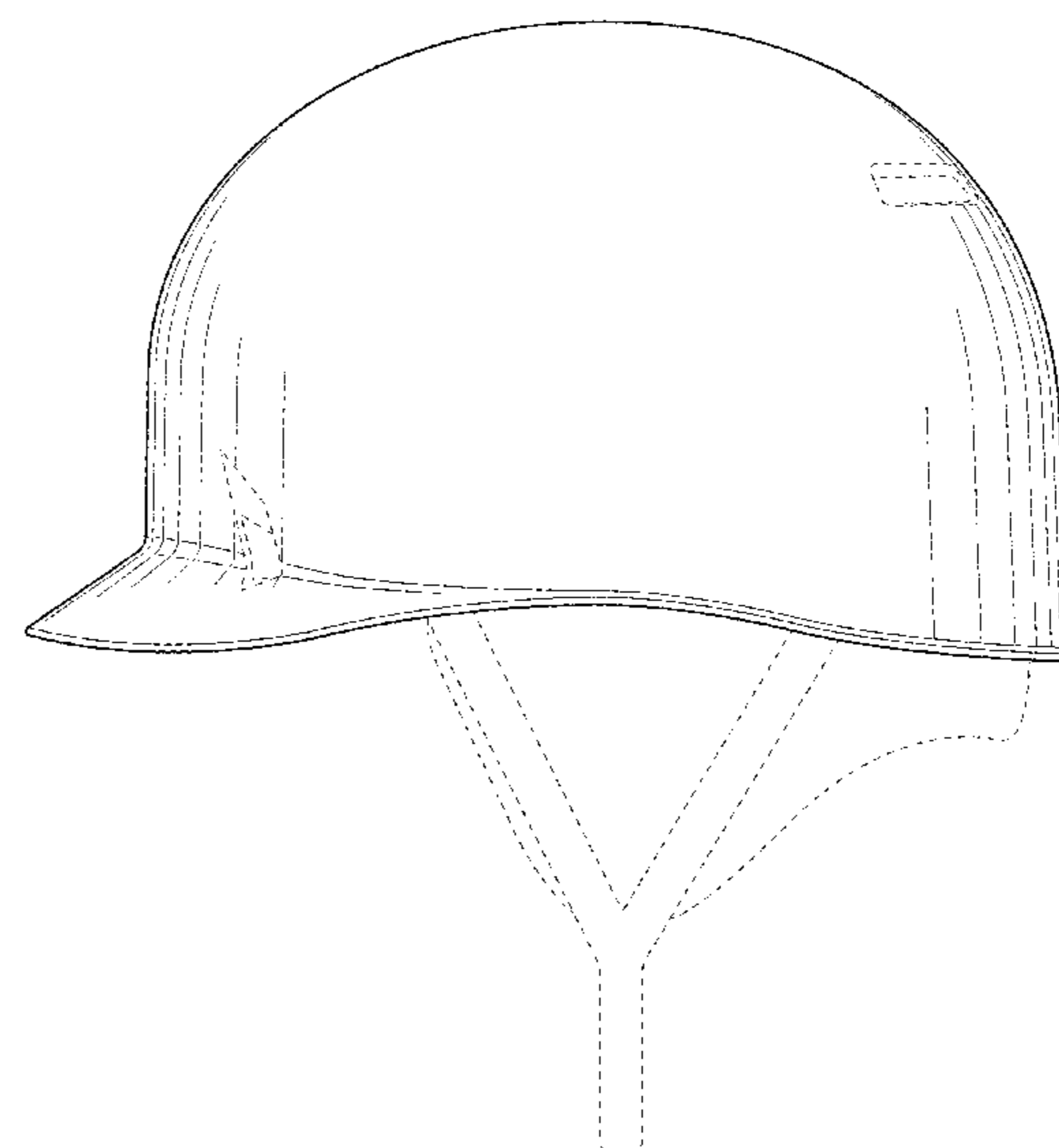
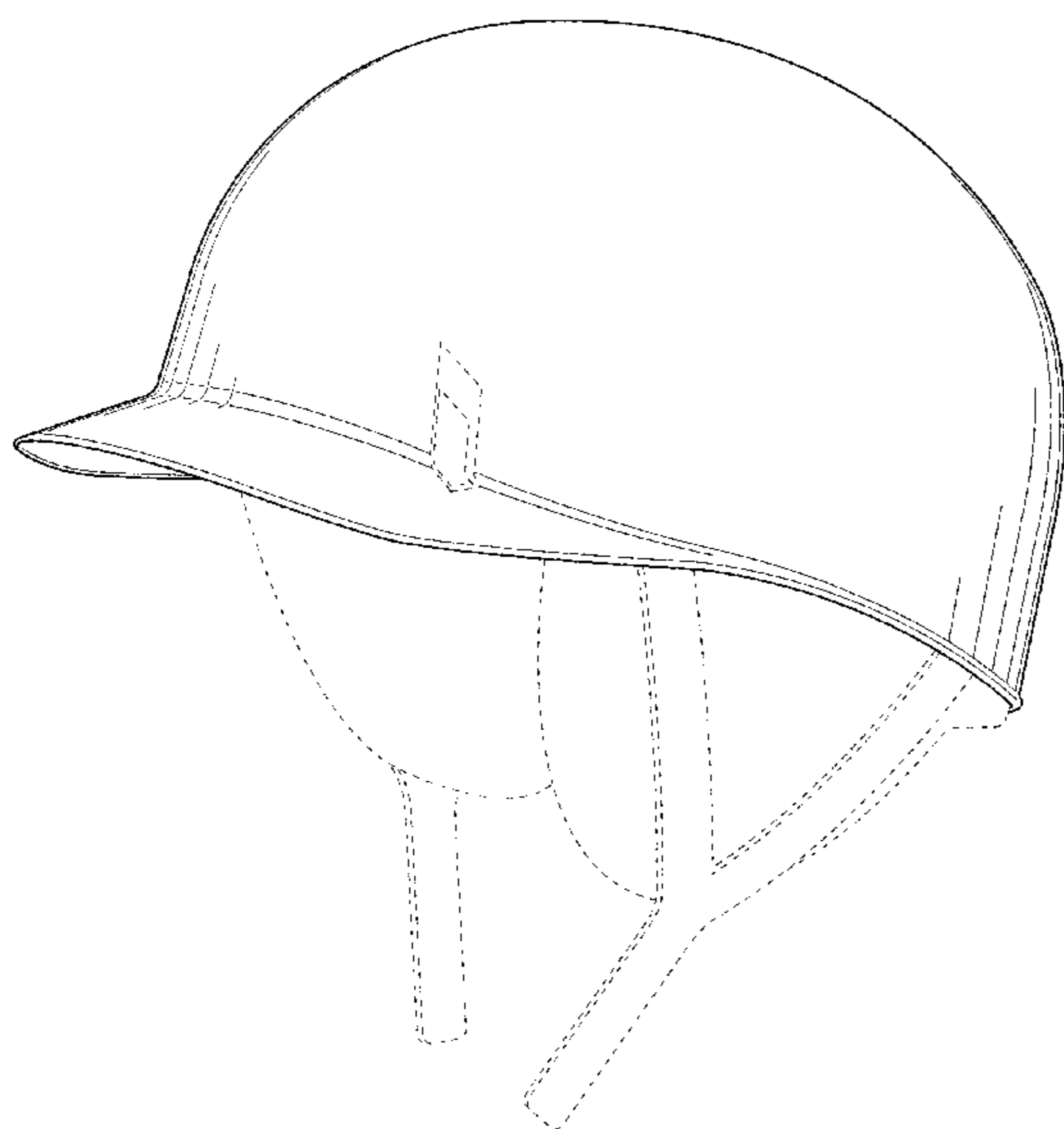
The ornamental design for a helmet, as shown and described.

**DESCRIPTION**

FIG. 1 is a perspective view of the helmet showing the design;  
FIG. 2 is a top view thereof;  
FIG. 3 is a right side view thereof;  
FIG. 4 is a front view thereof;  
FIG. 5 is a left side view thereof;  
FIG. 6 is a rear view thereof; and,  
FIG. 7 is a bottom view thereof.

The features shown in broken lines are for illustrative purposes only and form no part of the design as claimed.

**1 Claim, 7 Drawing Sheets**



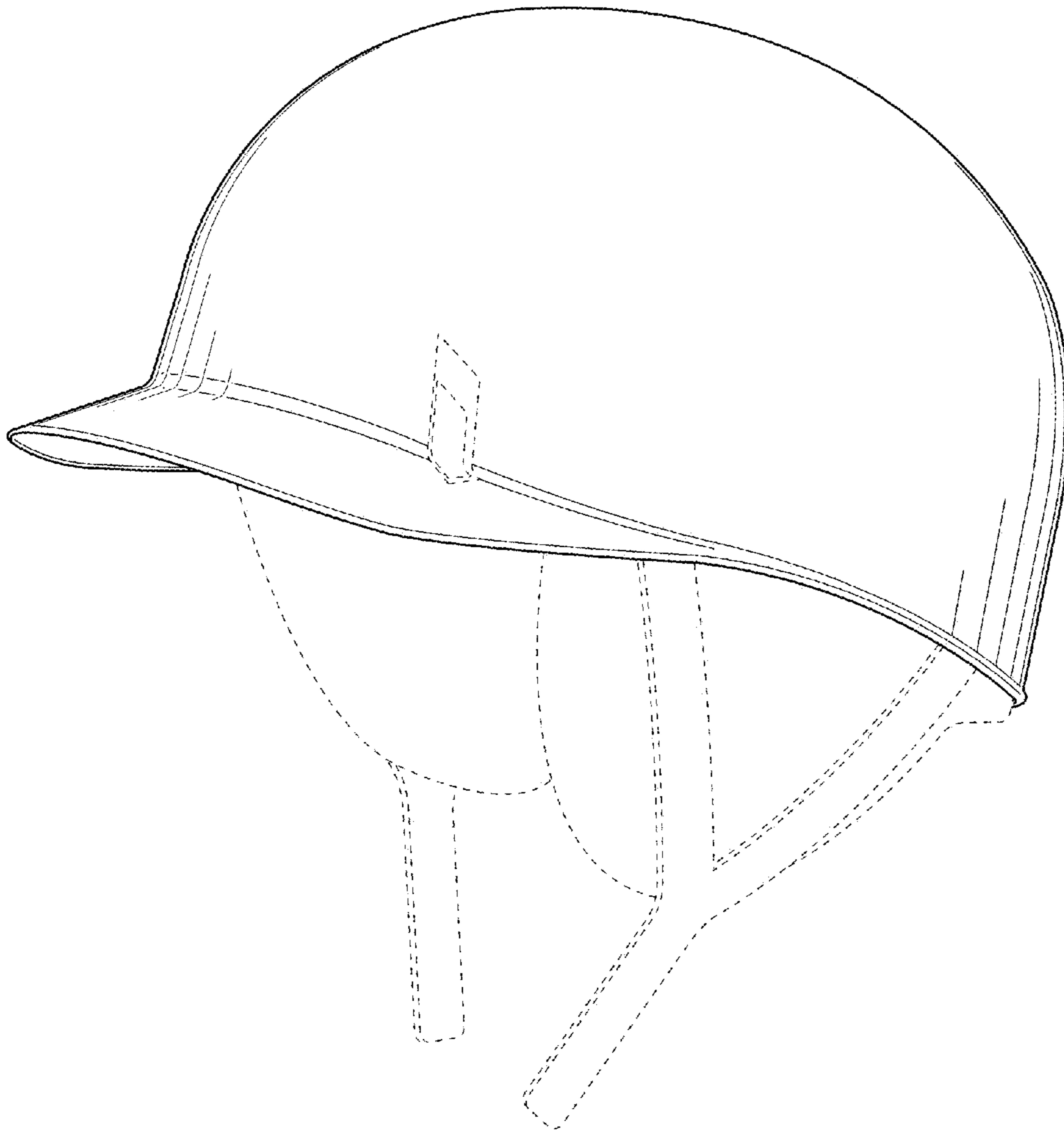


FIG. 1

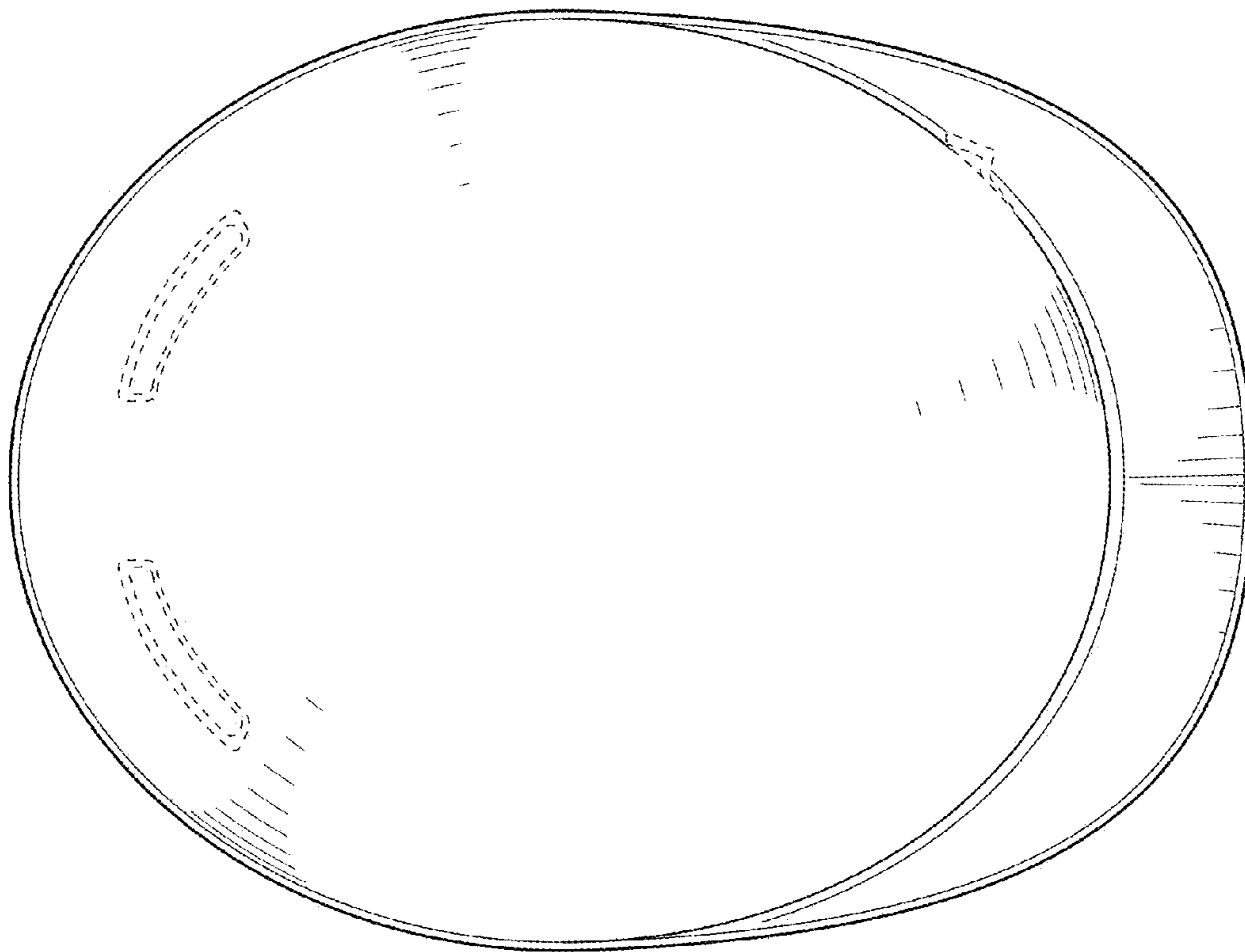
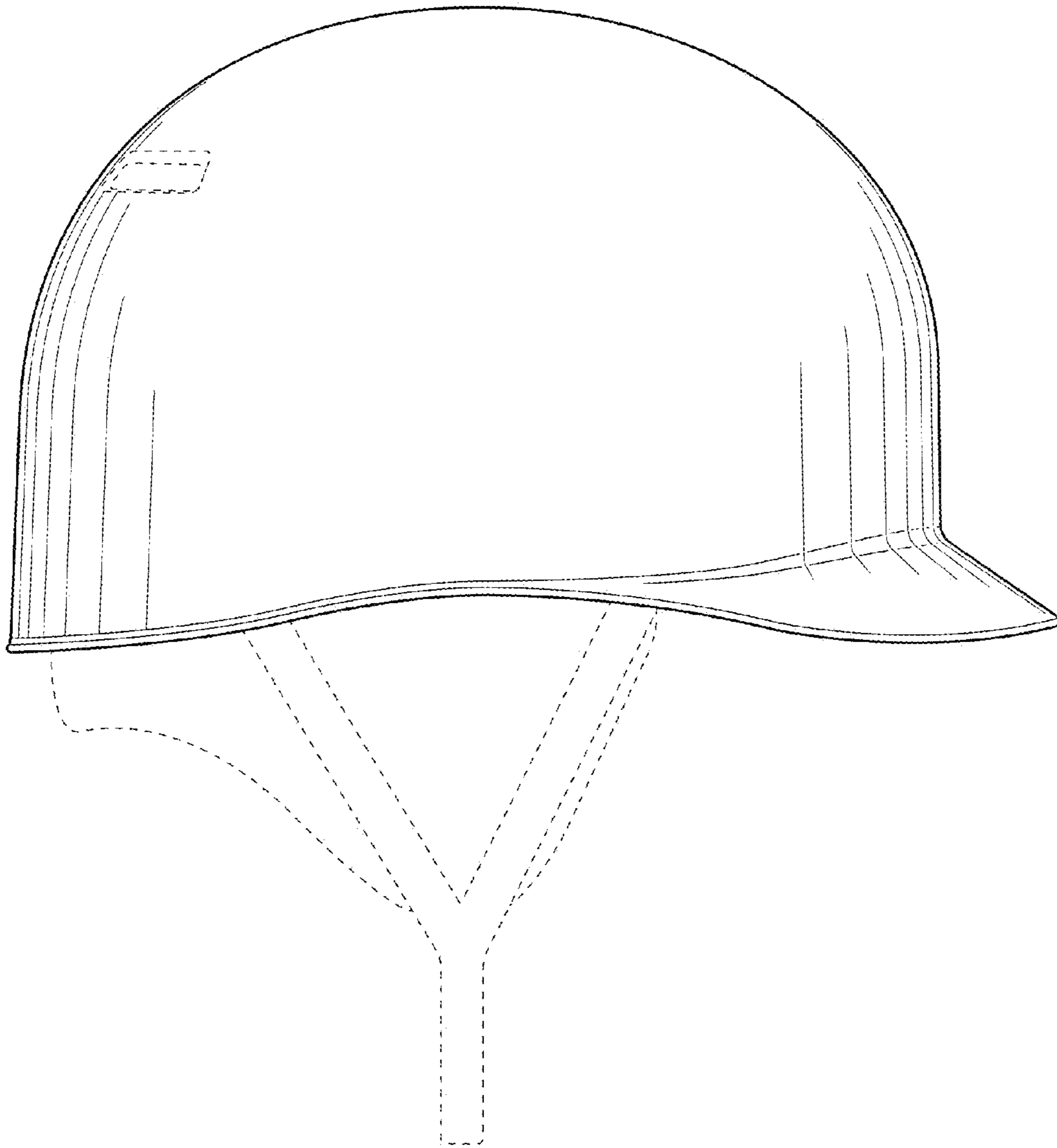
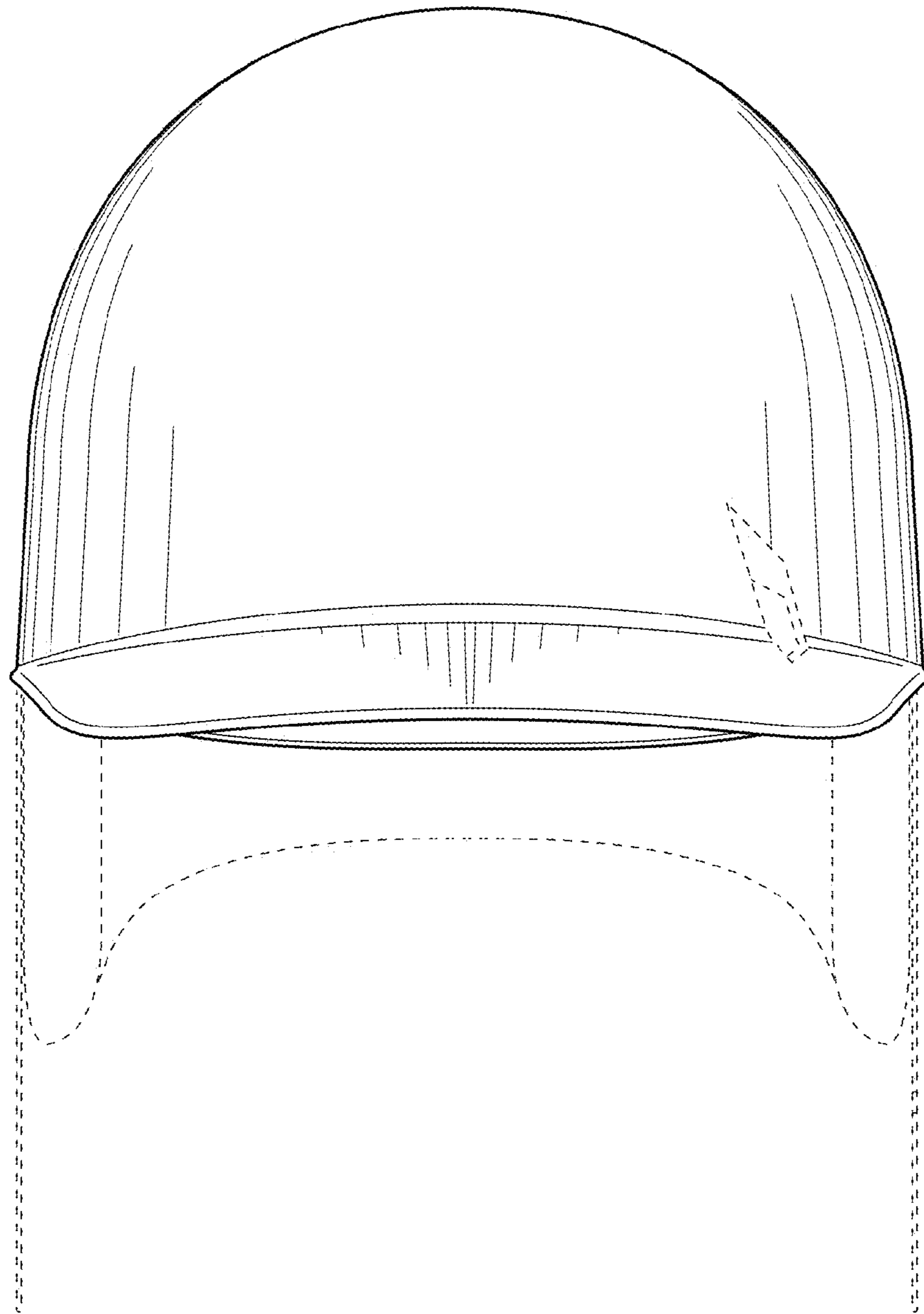


FIG. 2



**FIG. 3**



**FIG. 4**

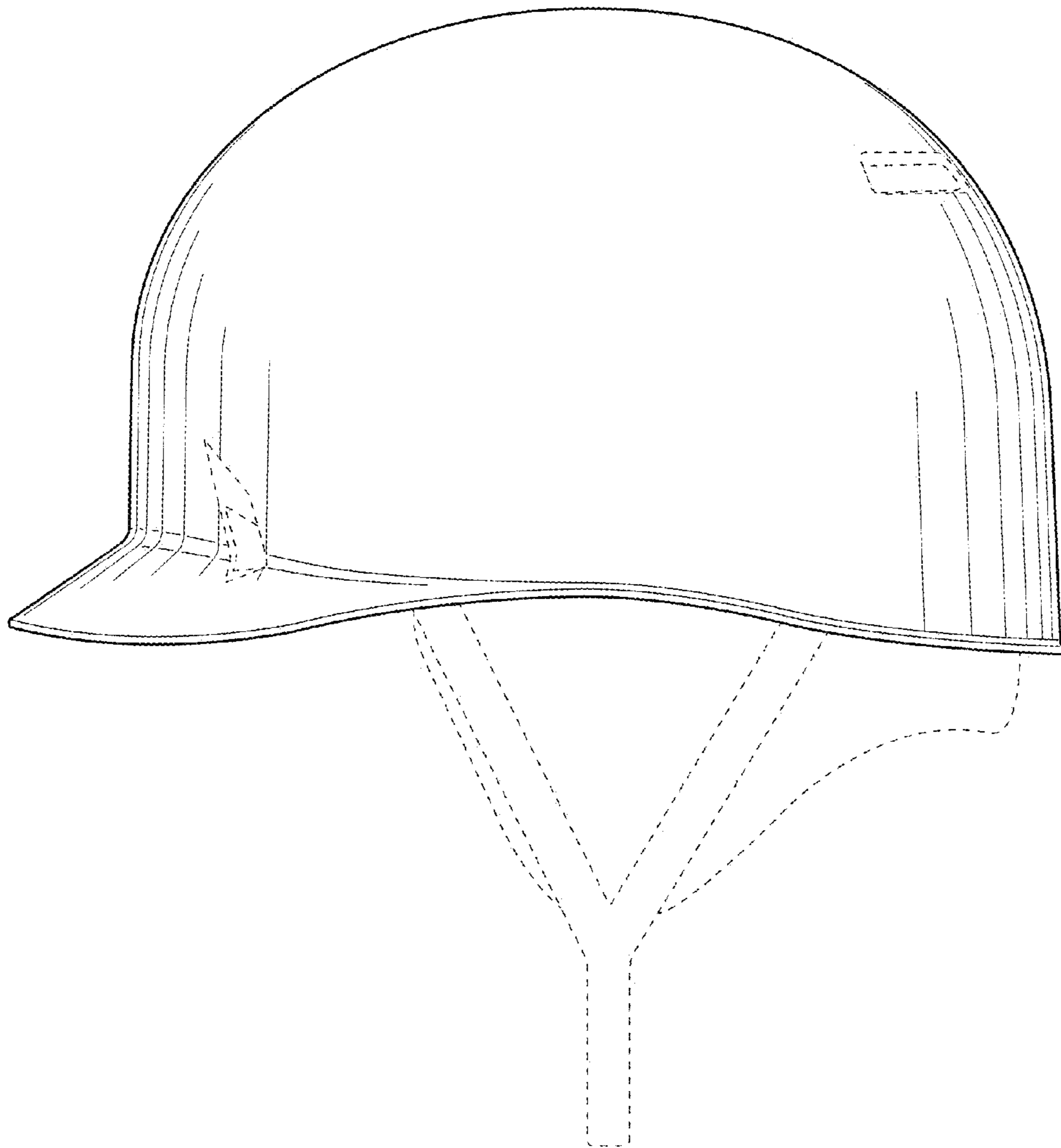
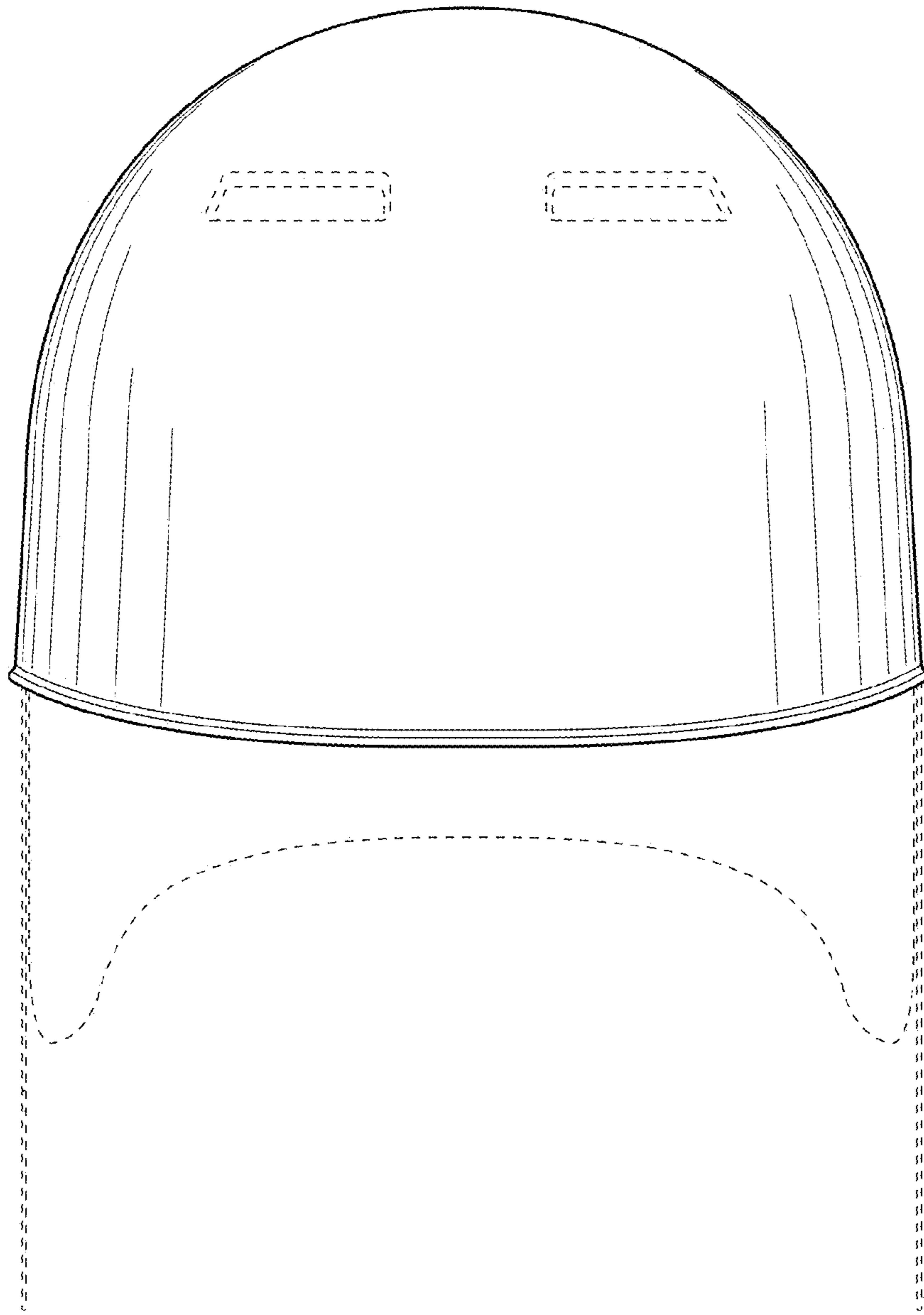
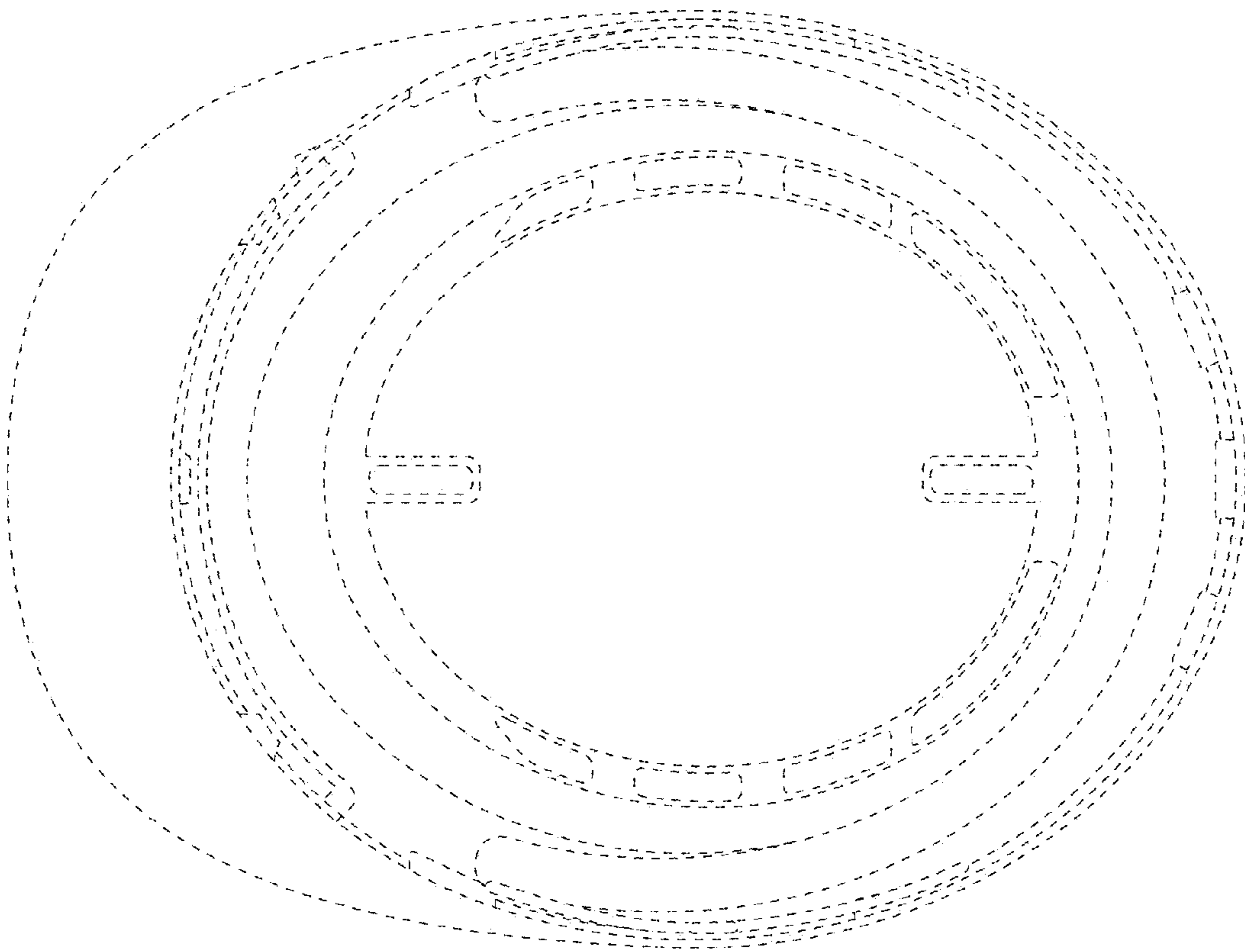


FIG. 5



**FIG. 6**



**FIG. 7**