



US00D745995S

(12) **United States Design Patent**
Albathe

(10) **Patent No.:** **US D745,995 S**

(45) **Date of Patent:** **** Dec. 22, 2015**

(54) **HOOKAH HEAD**

(71) Applicant: **Joseph Albathe**, Sun Valley, CA (US)

(72) Inventor: **Joseph Albathe**, Sun Valley, CA (US)

(**) Term: **14 Years**

(21) Appl. No.: **29/510,325**

(22) Filed: **Nov. 26, 2014**

(51) **LOC (10) Cl.** **27-02**

(52) **U.S. Cl.**
USPC **D27/162**

(58) **Field of Classification Search**
USPC D27/162-169; 131/173, 178, 214, 222,
131/226, 329, 330; 215/370; D9/500, 516,
D9/519, 557, 558; D23/360, 366; D7/503,
D7/507

CPC A24F 1/00; A24F 1/30; A24F 1/32;
A24F 3/00; A24F 5/00; A24F 7/00; A24F
9/00; A24F 9/14

See application file for complete search history.

(56) **References Cited**

U.S. PATENT DOCUMENTS

D153,054 S *	3/1949	Tuan	D9/529
D550,083 S *	9/2007	Etheridge	D9/503
D562,159 S *	2/2008	Griffith	D10/46.2
D593,708 S *	6/2009	Chaoui	D27/162
D618,389 S *	6/2010	Masri	D27/162
D642,433 S *	8/2011	Tuan	D7/400
D658,987 S *	5/2012	Pauser	D9/454

8,459,269 B2 *	6/2013	Zoumut	A24F 1/30 131/173
8,757,170 B2 *	6/2014	Kaplani	A24F 1/30 131/194
D729,975 S *	5/2015	Mehio	D27/162
D731,113 S *	6/2015	Wu	D27/101
2007/0215164 A1 *	9/2007	Mehio	A24F 1/30 131/173
2014/0083441 A1 *	3/2014	Kaplani	A24F 1/30 131/329

* cited by examiner

Primary Examiner — Elizabeth Albert

(74) *Attorney, Agent, or Firm* — Michael J. Feigin, Esq.;
Feigin & Associates, LLC

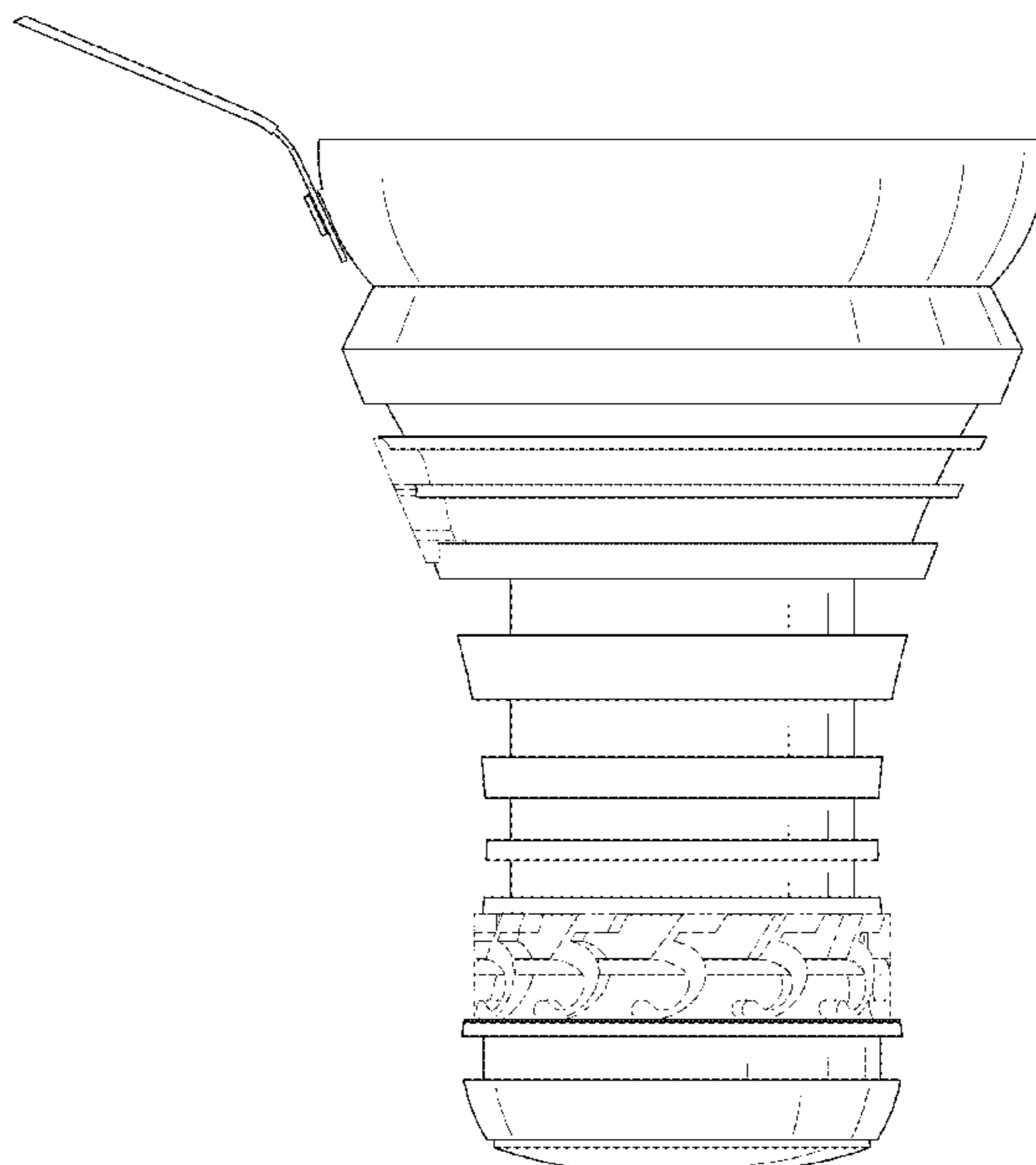
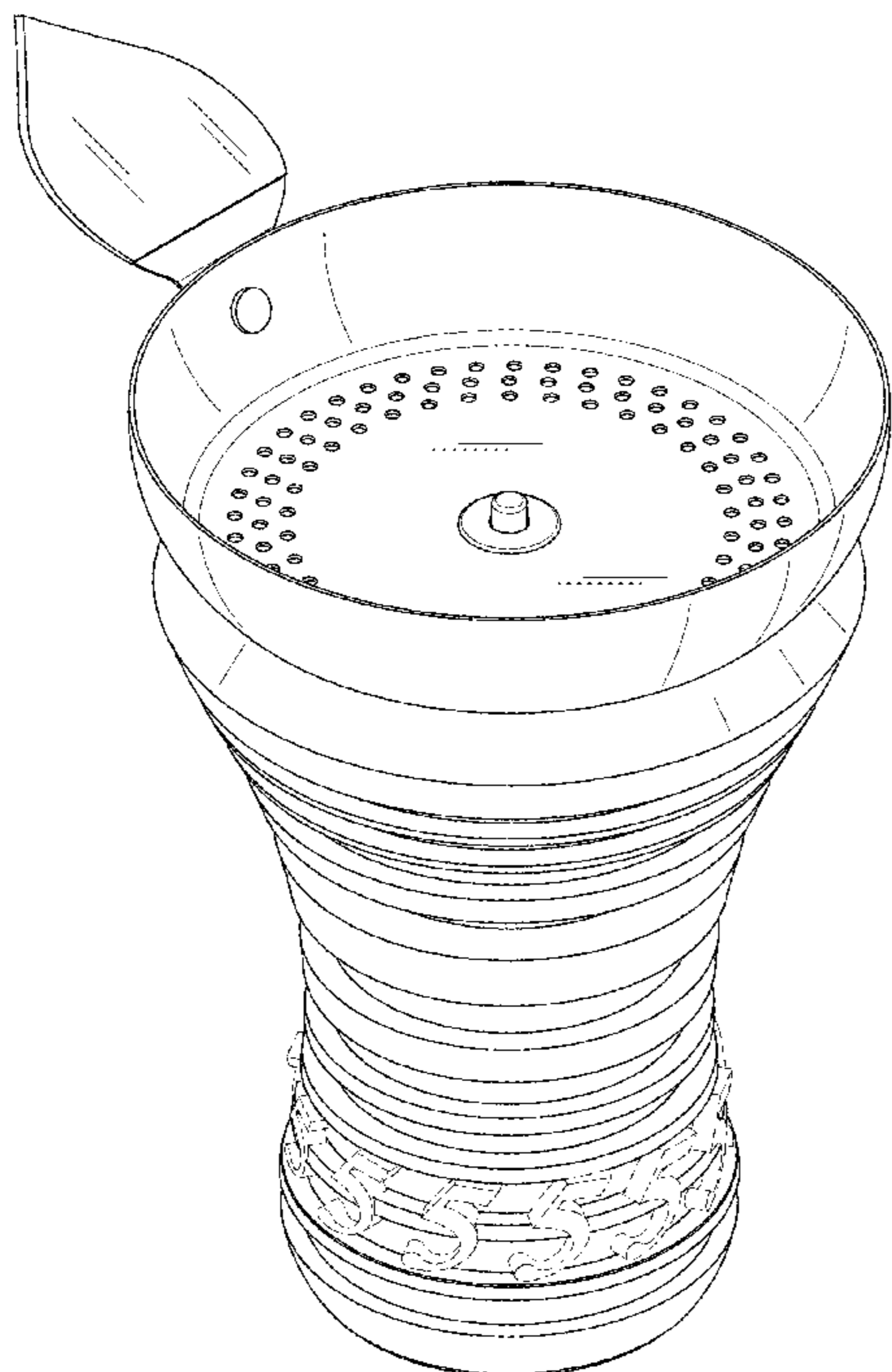
(57) **CLAIM**

The ornamental design for the hookah head, as shown and described.

DESCRIPTION

FIG. 1 shows a top perspective view of a hookah head.
FIG. 2 shows a bottom perspective view thereof.
FIG. 3 shows a front elevation view thereof.
FIG. 4 shows a rear elevation view thereof.
FIG. 5 shows a right side elevation view thereof.
FIG. 6 shows a left side elevation view thereof; and,
FIG. 7 shows a top plan view thereof.
The broken lines shown in the drawings illustrate portions of a hookah head for illustration purposes only, and form no part of the claimed design.

1 Claim, 7 Drawing Sheets



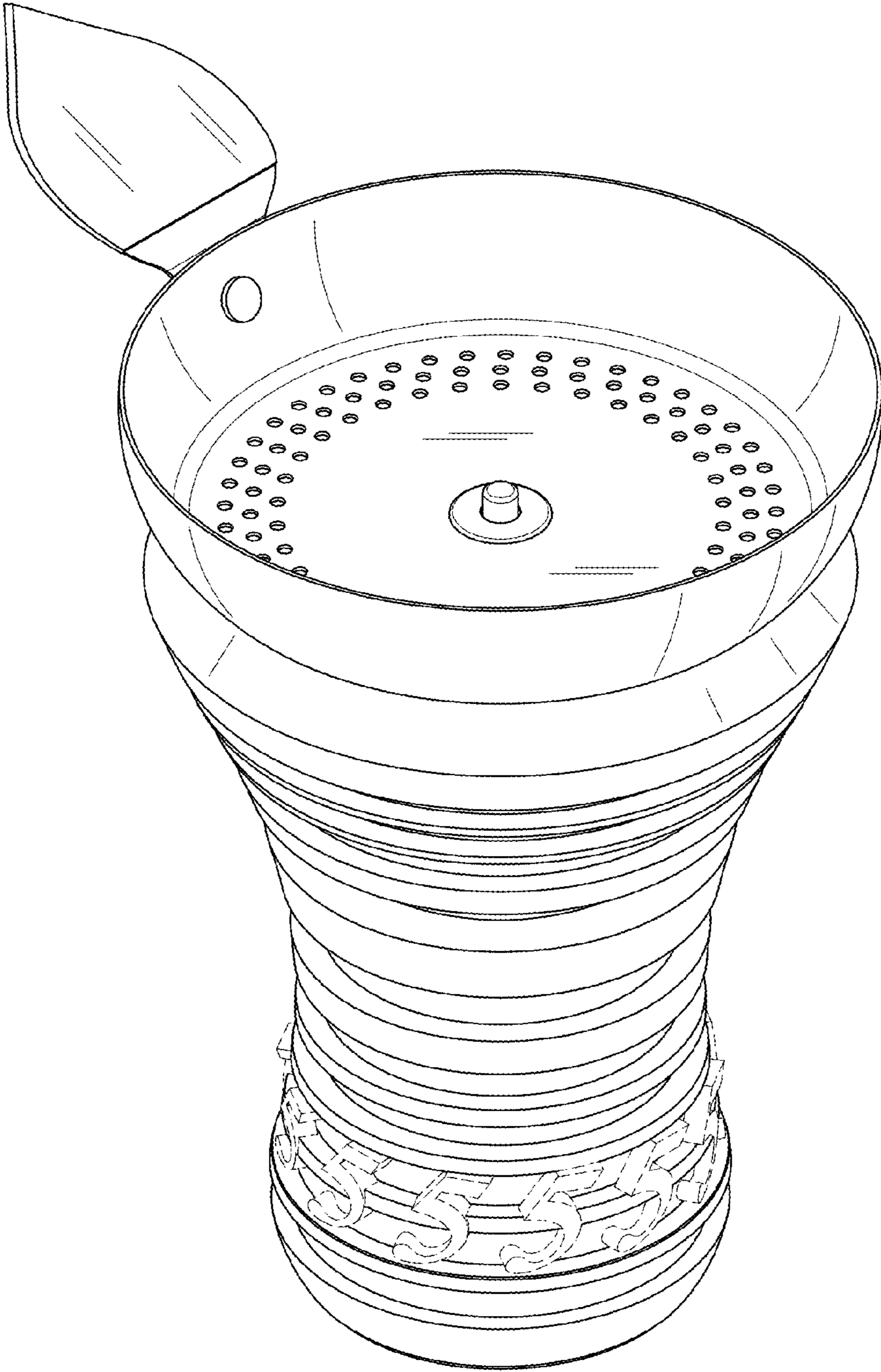


FIG. 1

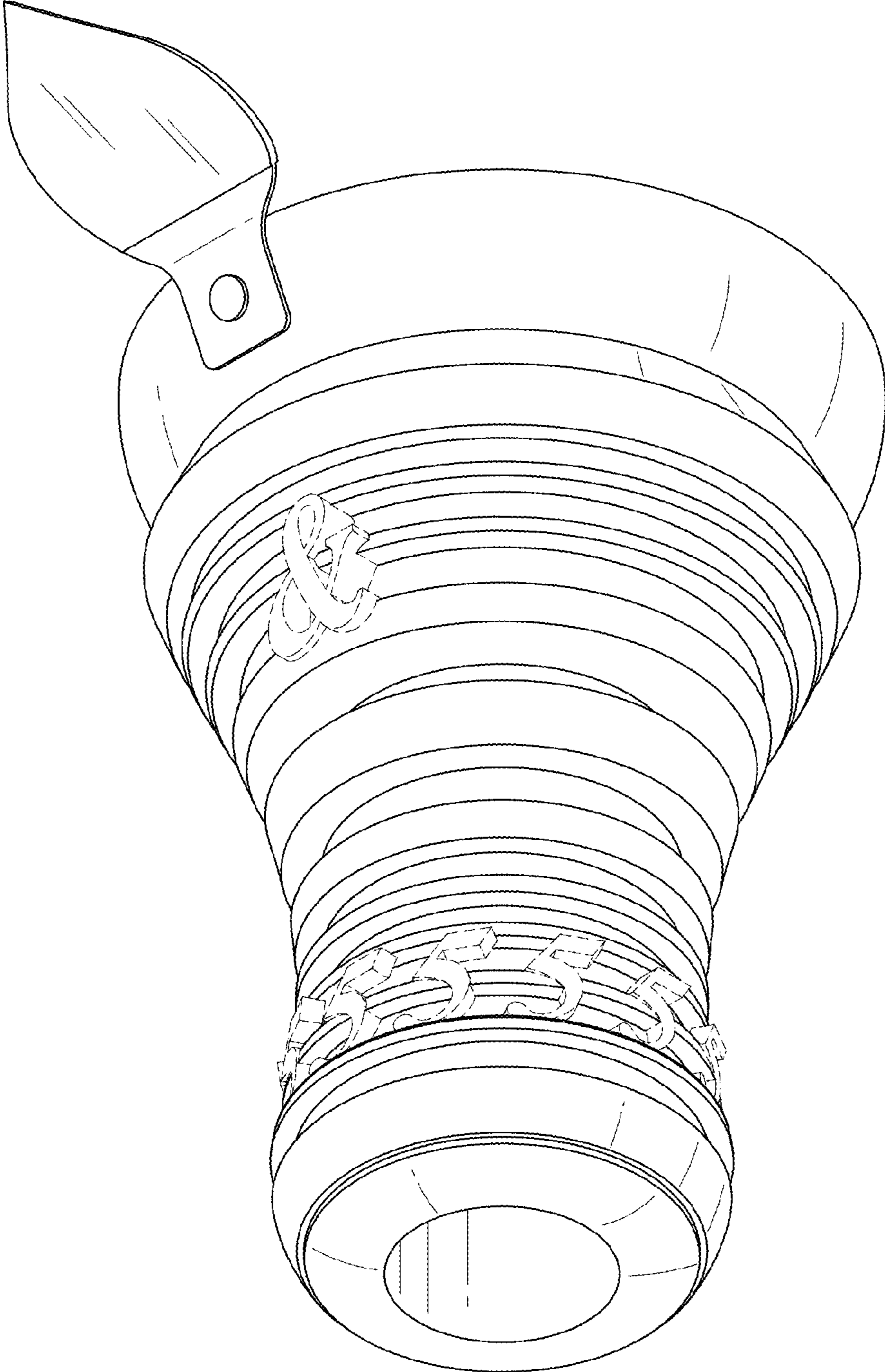


FIG. 2

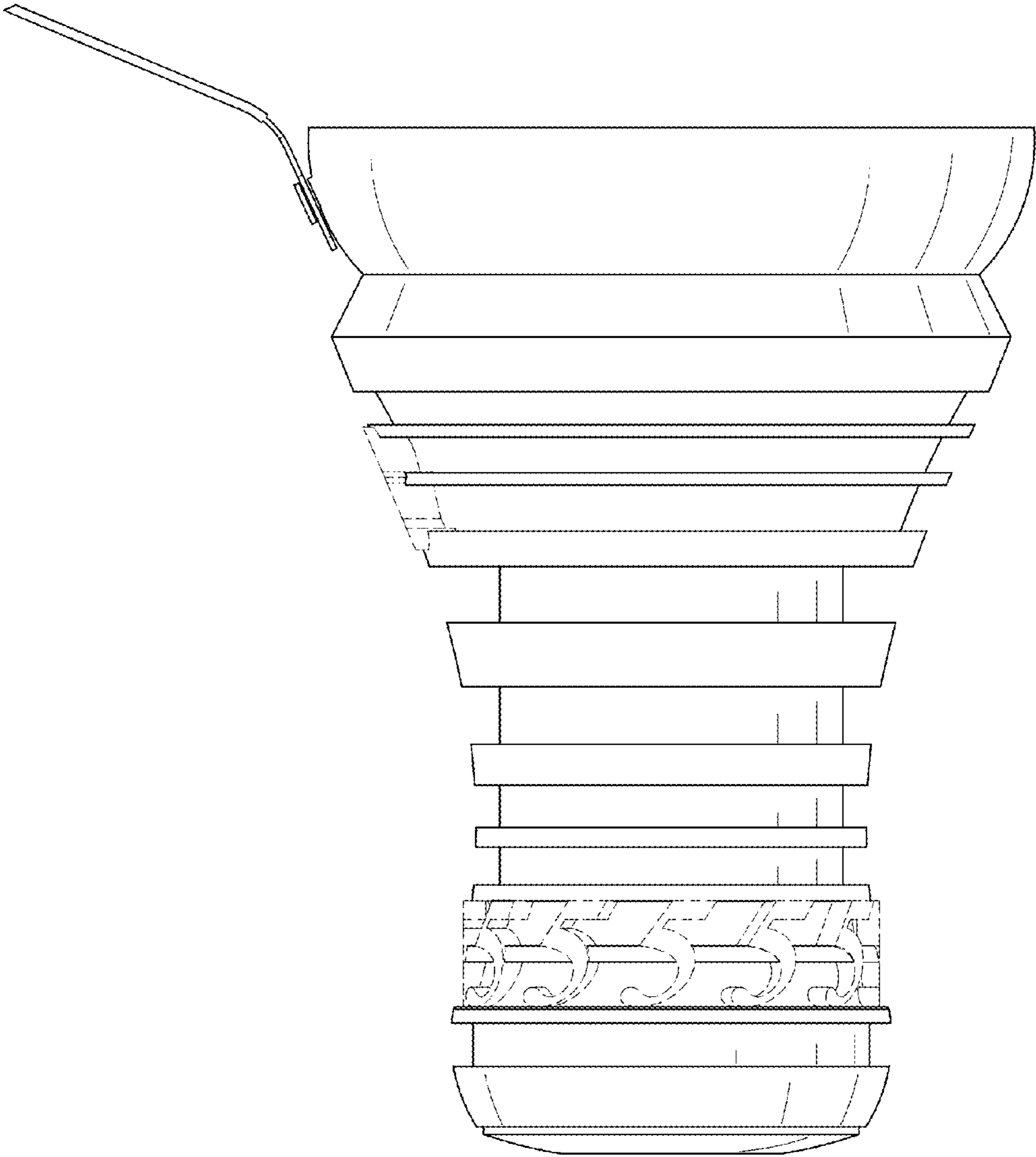


FIG. 3

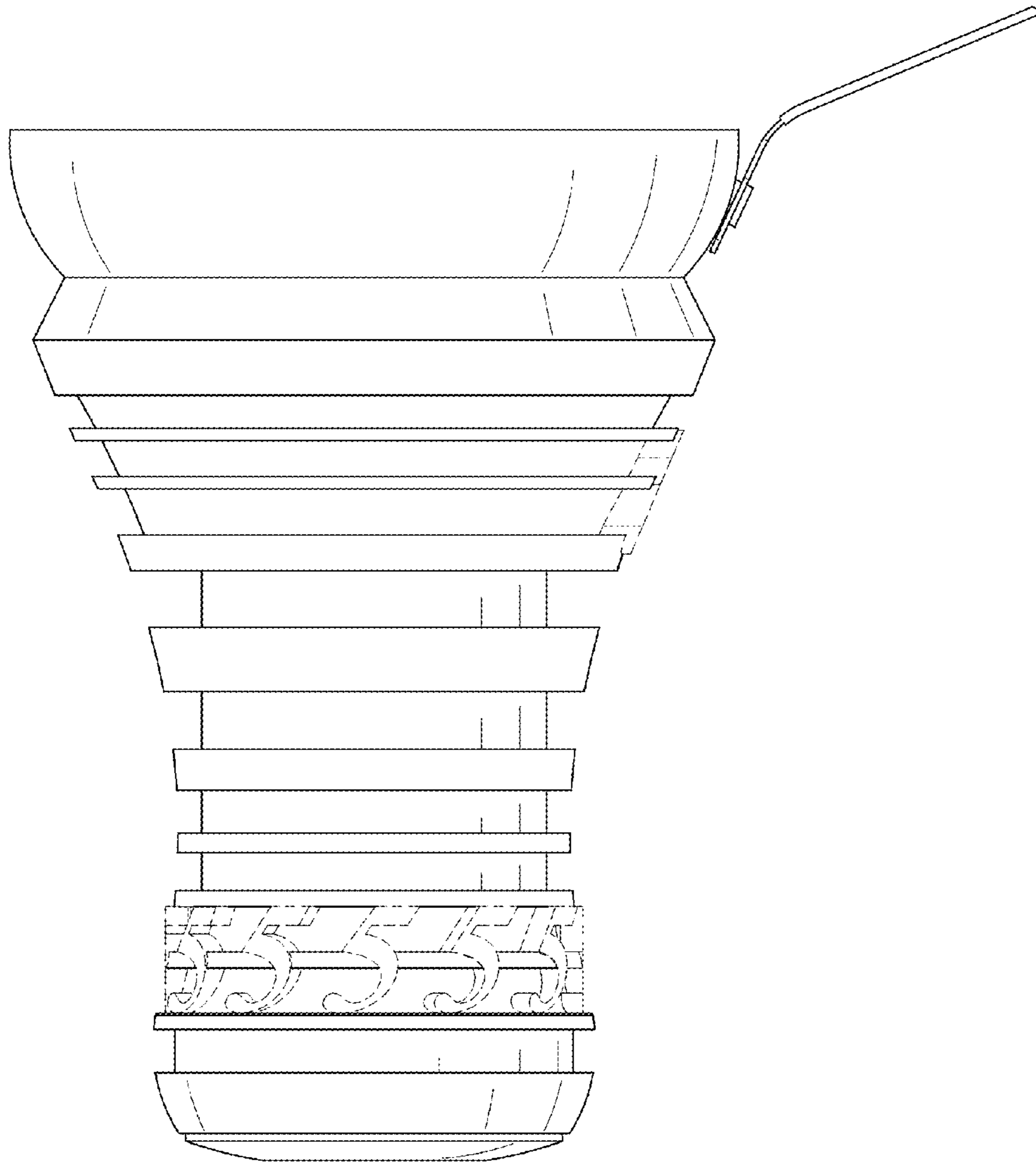


FIG. 4

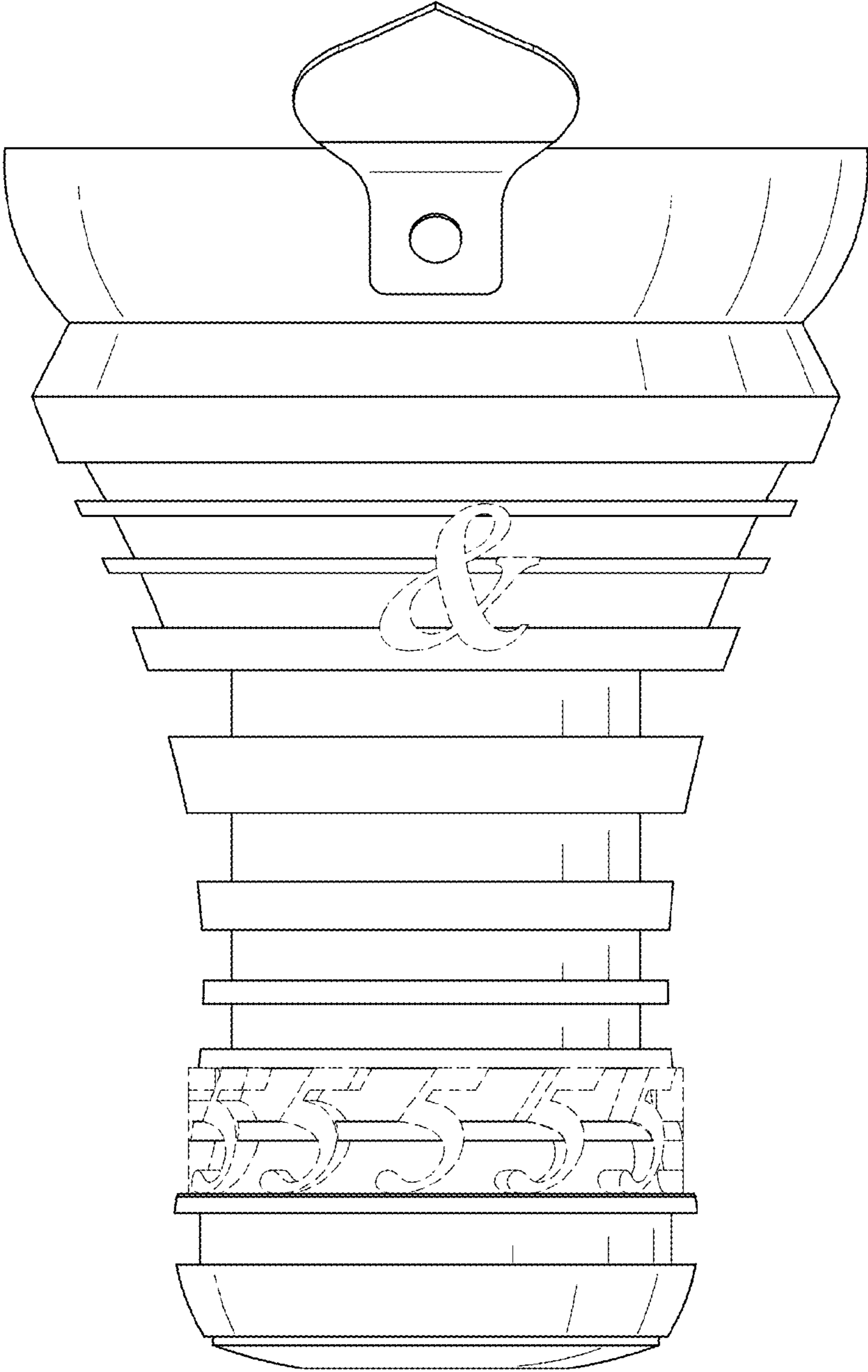


FIG. 5

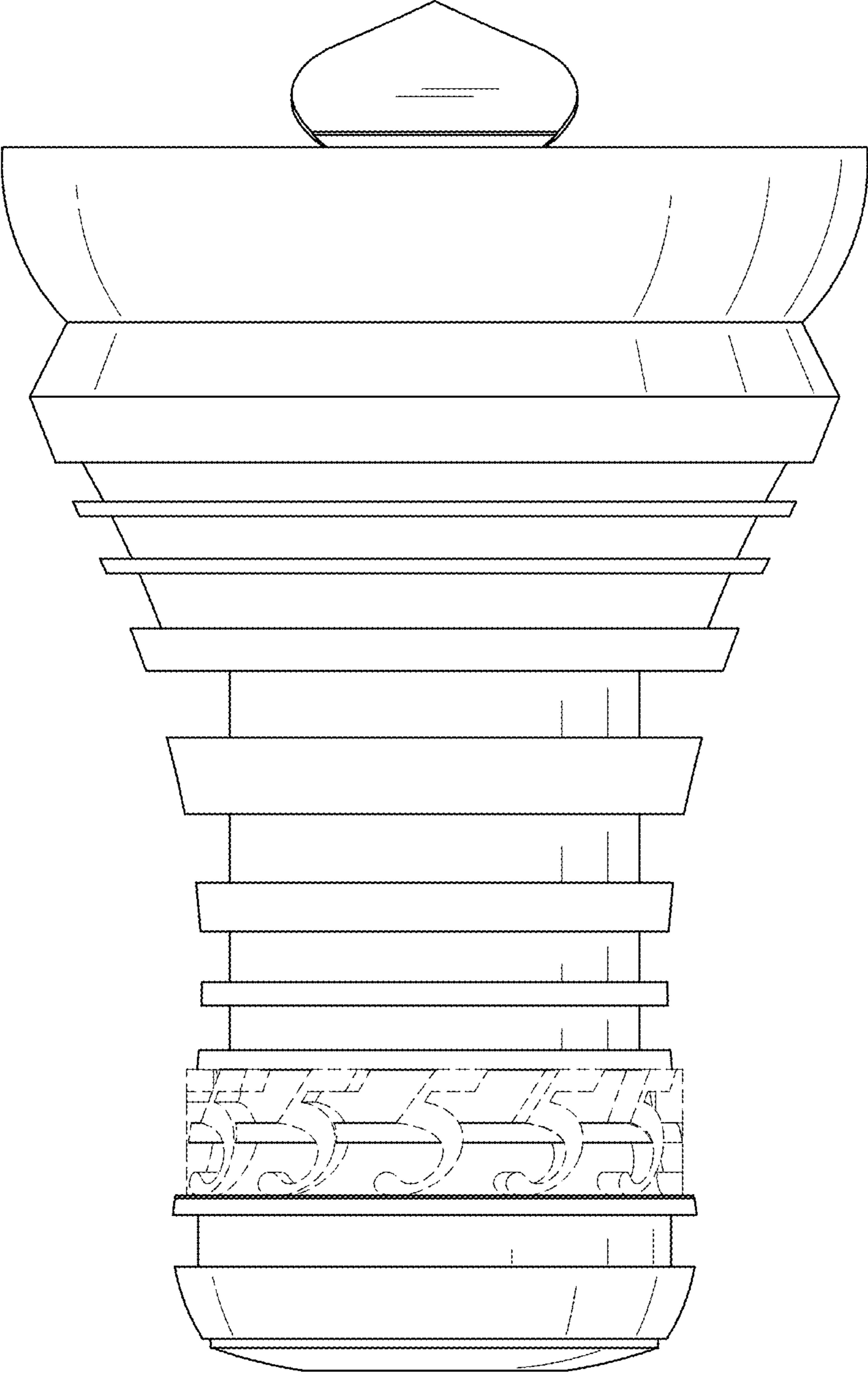


FIG. 6

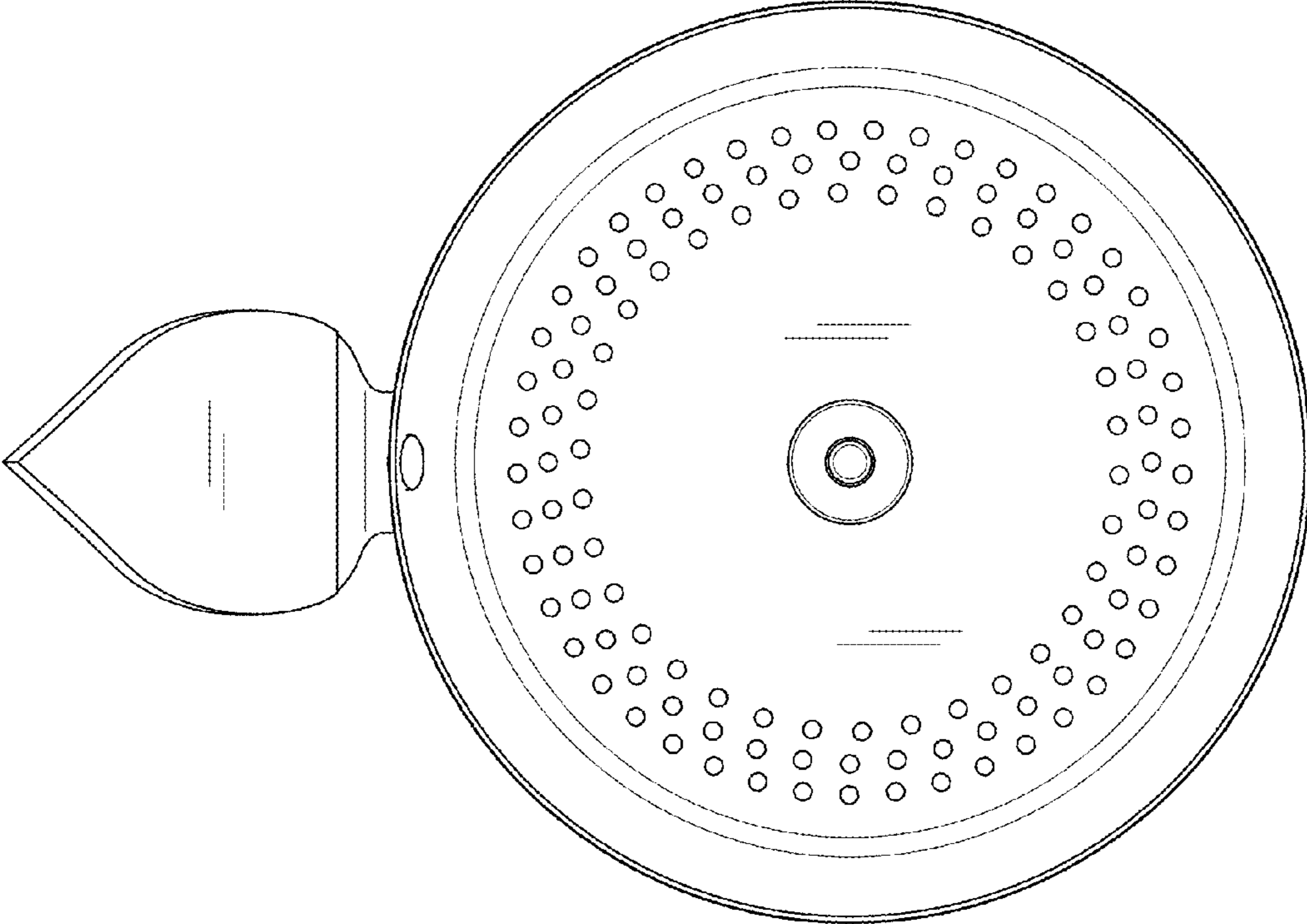


FIG. 7