



US00D745994S

(12) **United States Design Patent**
Hanna

(10) **Patent No.:** **US D745,994 S**
(45) **Date of Patent:** **** Dec. 22, 2015**

(54) **HOOKAH BOWL**

(71) Applicant: **Emad Hanna**, Downey, CA (US)

(72) Inventor: **Emad Hanna**, Downey, CA (US)

(**) Term: **14 Years**

(21) Appl. No.: **29/509,613**

(22) Filed: **Nov. 19, 2014**

(51) **LOC (10) Cl.** **27-02**

(52) **U.S. Cl.**
USPC **D27/162**

(58) **Field of Classification Search**
USPC D27/162-169; 131/173, 178, 214, 222,
131/226, 329, 330; 215/370; D9/500, 516,
D9/519, 557, 558; D23/360, 366; D7/503,
D7/507
CPC A24F 1/00; A24F 1/30; A24F 1/32;
A24F 3/00; A24F 5/00; A24F 7/00; A24F
9/00; A24F 9/14

See application file for complete search history.

(56) **References Cited**

U.S. PATENT DOCUMENTS

D153,054 S * 3/1949 Wolfe et al. D9/529
D550,083 S * 9/2007 Etheridge D9/503
D562,159 S * 2/2008 Griffith D10/46.2

D593,708 S * 6/2009 Chaoui D27/162
D618,389 S * 6/2010 Masri D27/162
D642,433 S * 8/2011 Tuan D7/400
D658,987 S * 5/2012 Pauser D9/454
8,459,269 B2 * 6/2013 Zoumut A24F 1/30
131/173
8,757,170 B2 * 6/2014 Kaplani A24F 1/30
131/194
D726,366 S 4/2015 Kirakosian
D729,975 S * 5/2015 Mehio D27/162
D731,113 S * 6/2015 Wu D27/101
2007/0215164 A1 * 9/2007 Mehio A24F 1/30
131/173
2014/0083441 A1 * 3/2014 Kaplani A24F 1/30
131/329

* cited by examiner

Primary Examiner — Elizabeth Albert

(74) *Attorney, Agent, or Firm* — Vladi Khiterer

(57) **CLAIM**

The ornamental design for a hookah bowl, as shown and described.

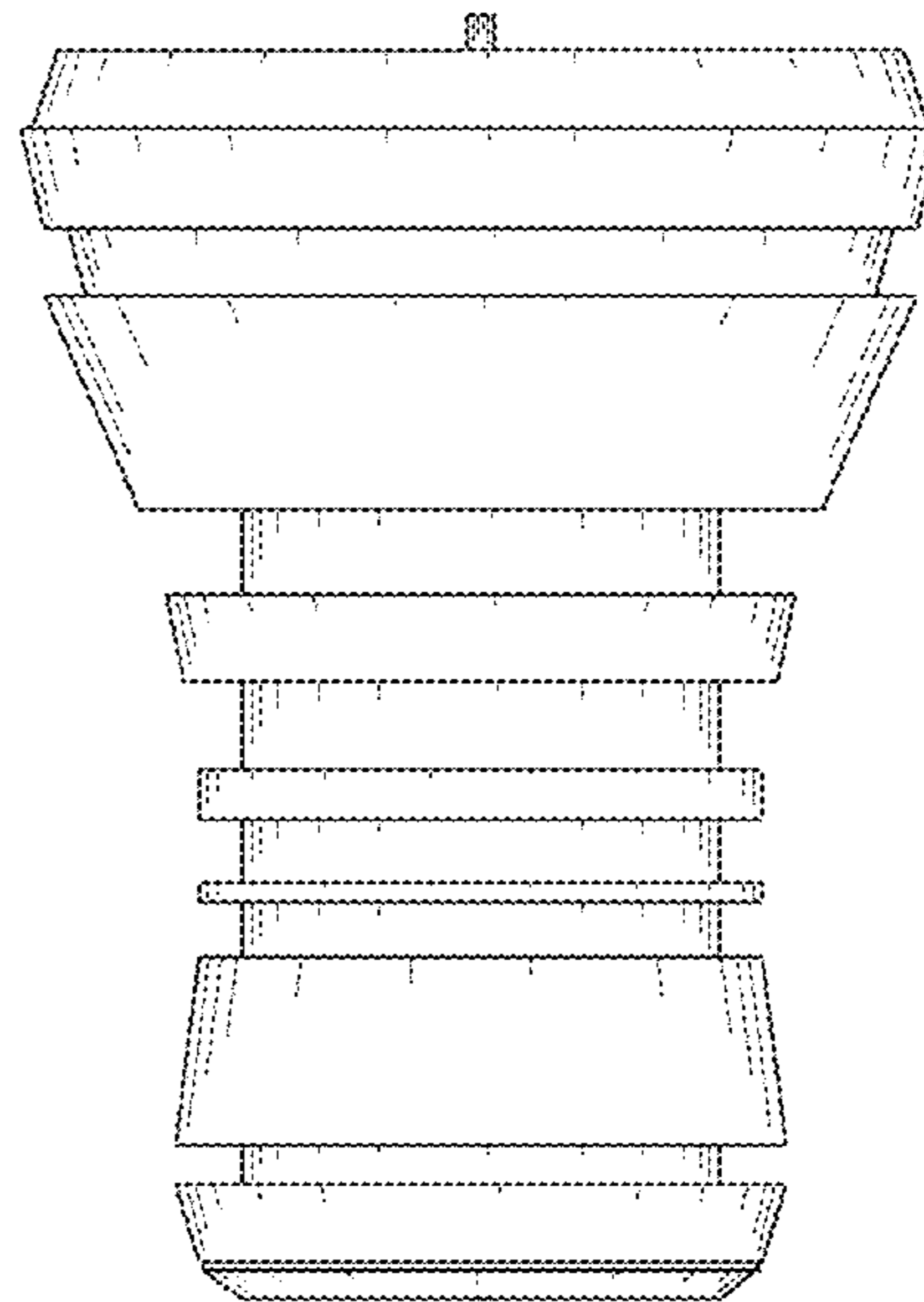
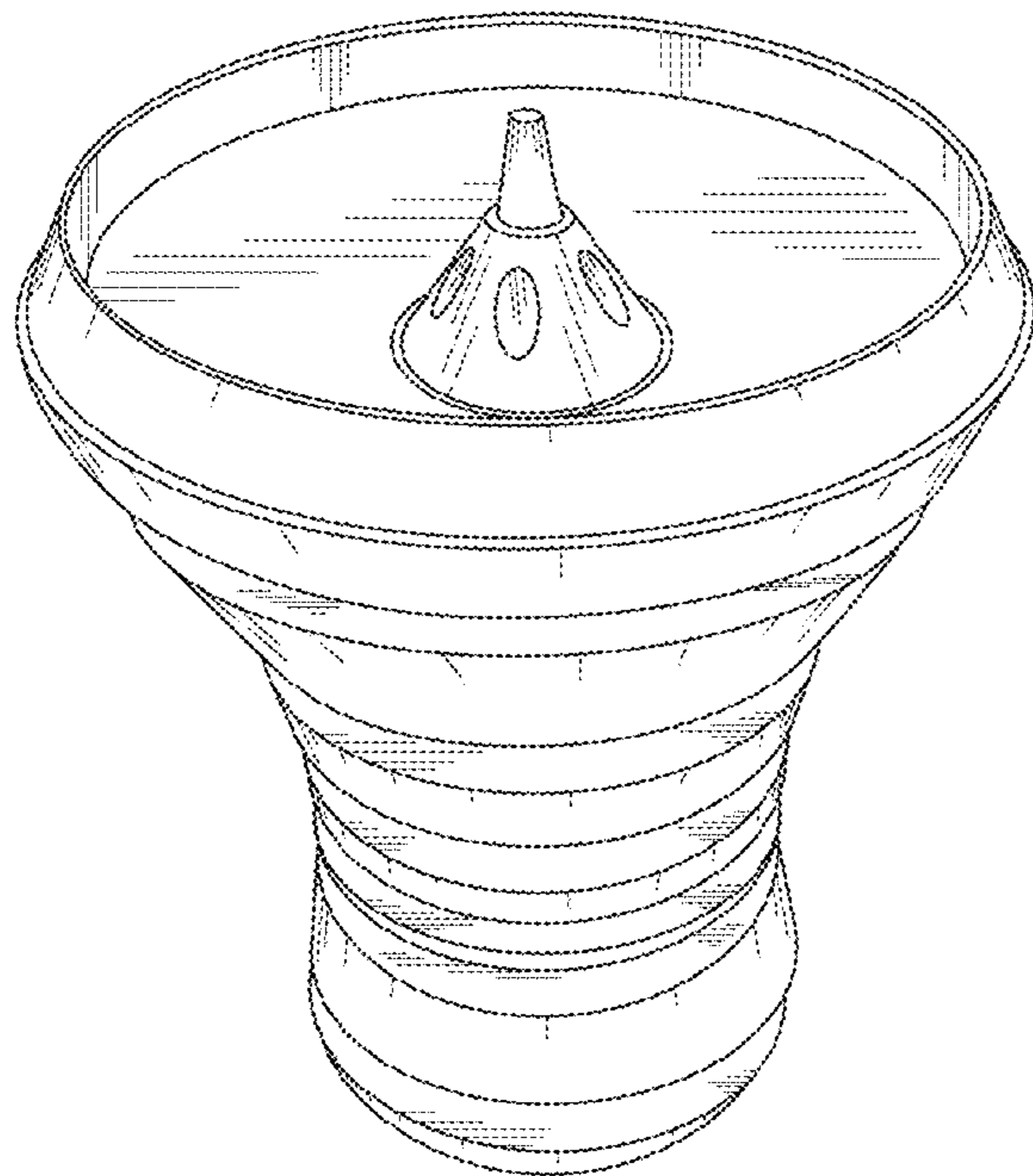
DESCRIPTION

FIG. 1 is a top perspective view of a hookah bowl showing my new design.

FIG. 2 is a front elevation view of FIG. 1. A back, left and right elevation views of FIG. 1 are identical to the front elevation view of FIG. 1; and,

FIG. 3 is a top plan view of FIG. 1.

1 Claim, 3 Drawing Sheets



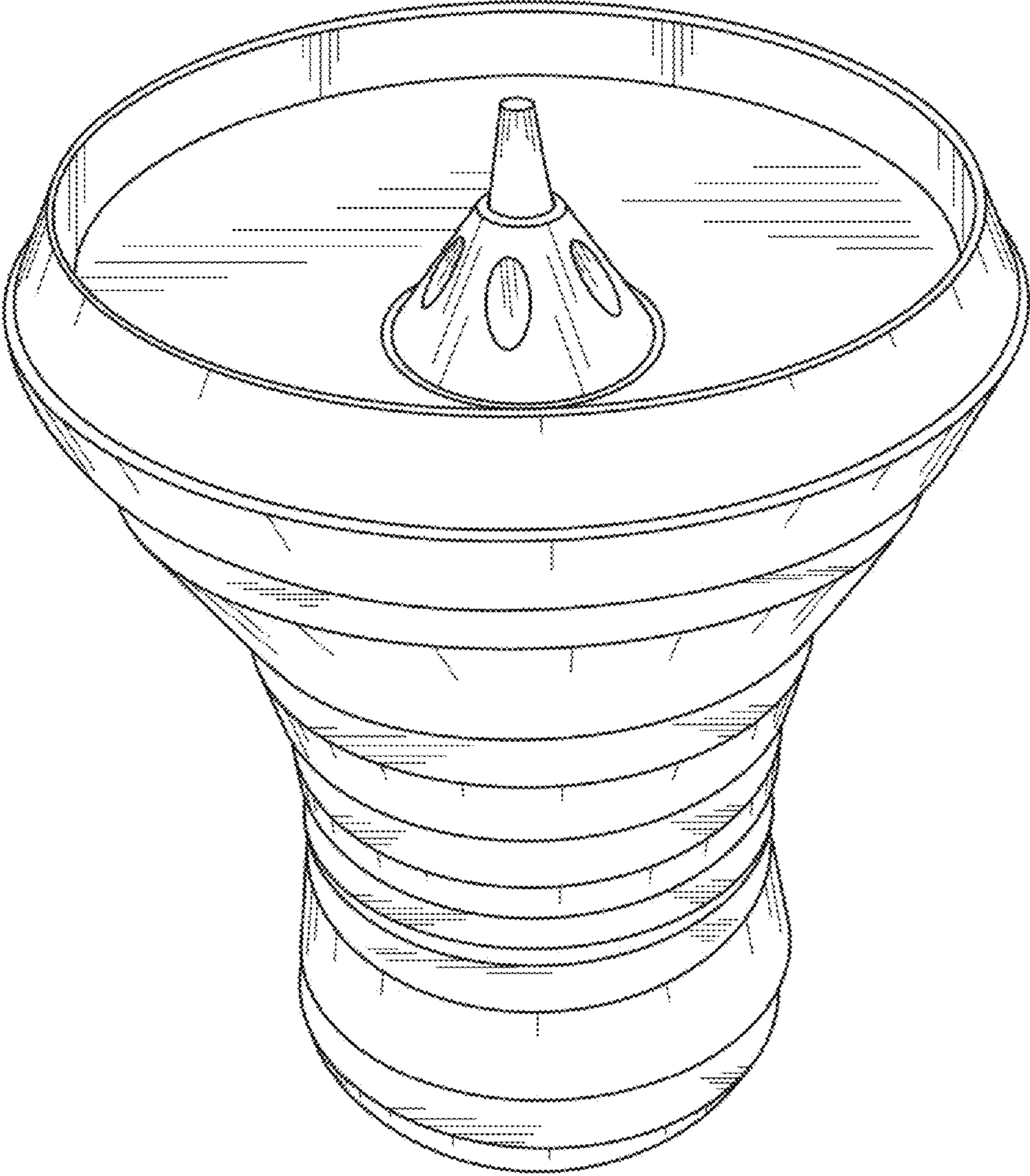


FIG. 1

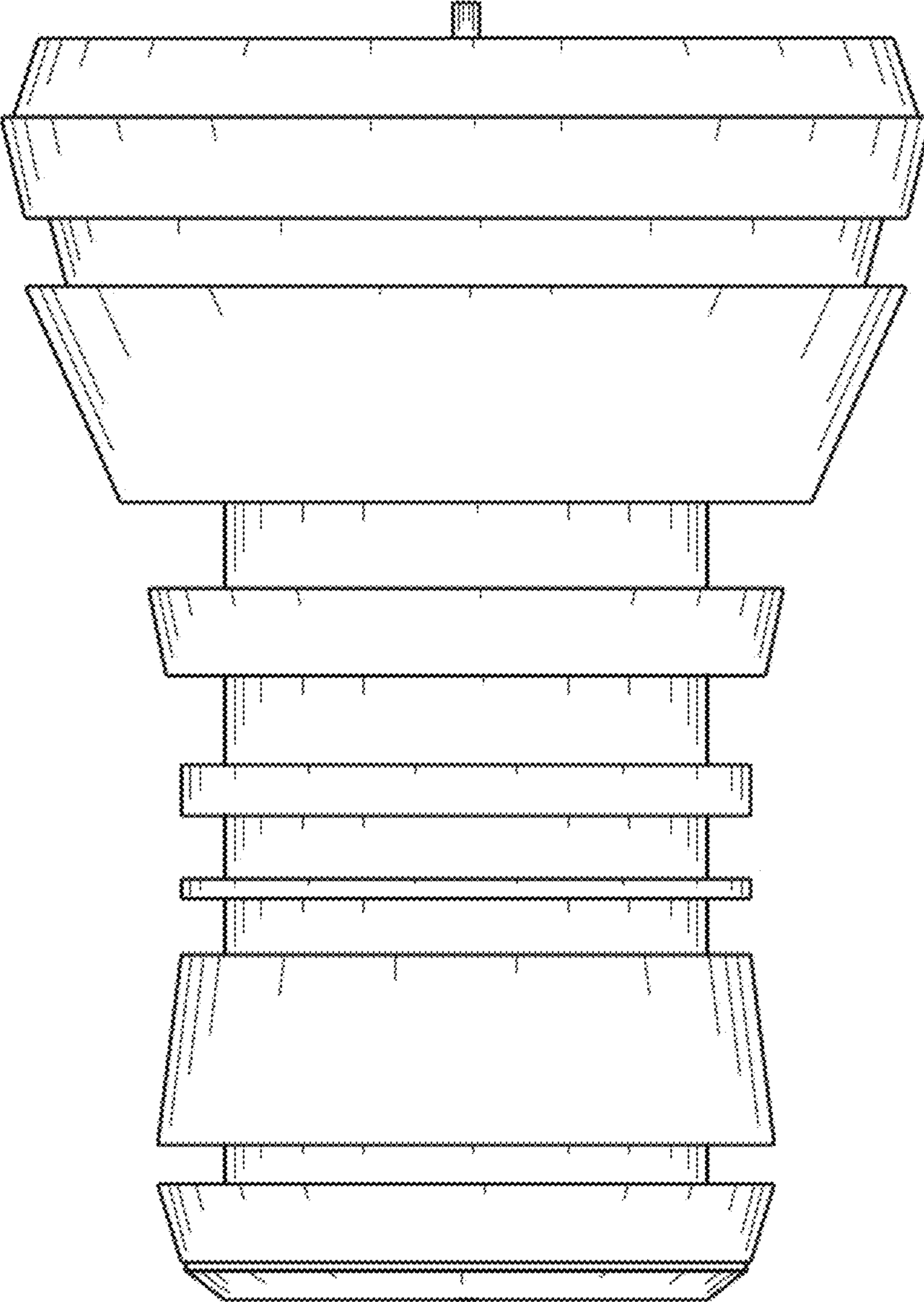


FIG. 2

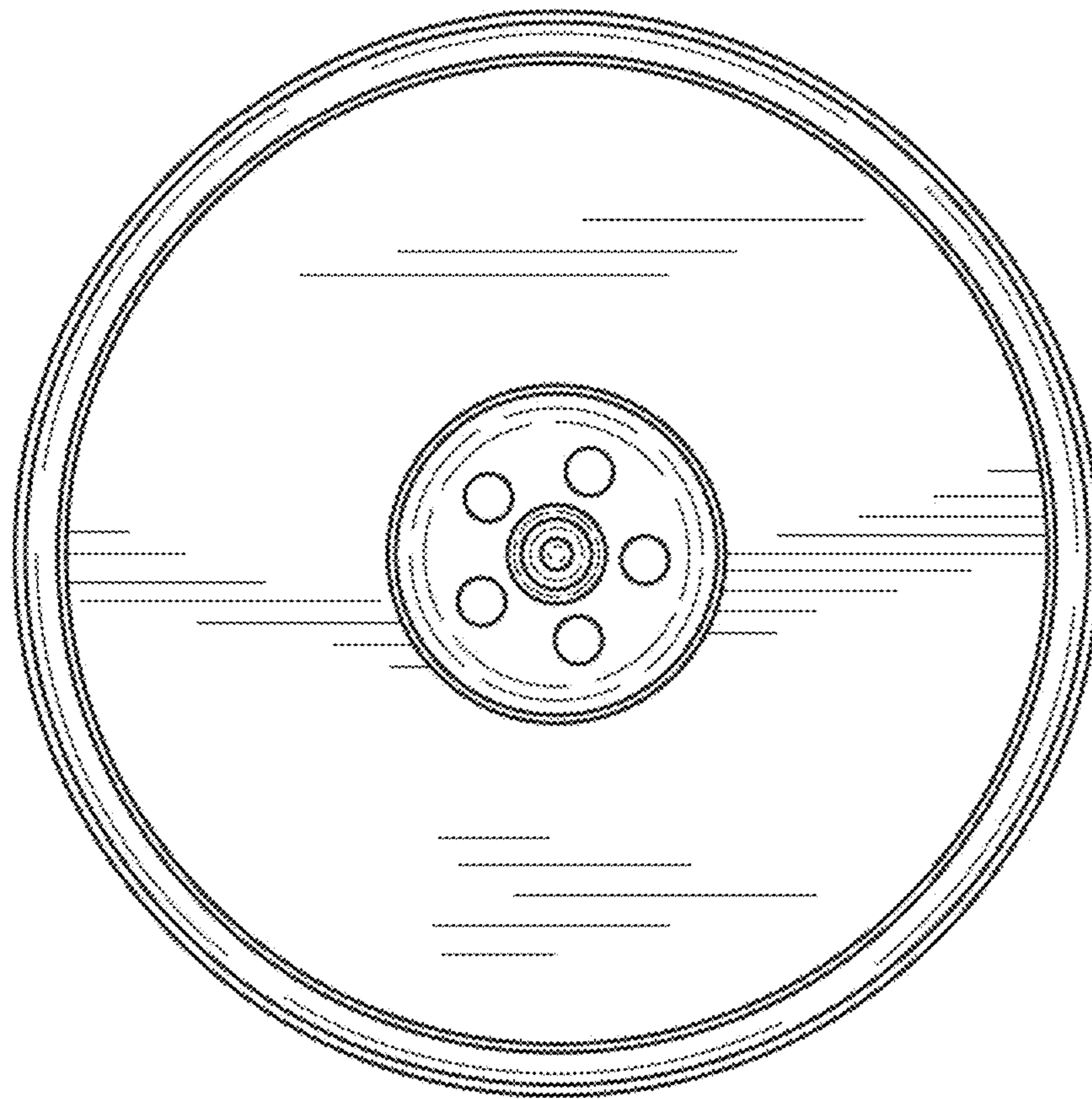


FIG. 3