



US00D745993S

(12) **United States Design Patent**  
**Reynolds**

(10) **Patent No.:** **US D745,993 S**

(45) **Date of Patent:** **\*\* \*Dec. 22, 2015**

- (54) **HORTICULTURE GROW LIGHT HOUSING**
- (71) Applicant: **Christopher Reynolds**, Vancouver, WA (US)
- (72) Inventor: **Christopher Reynolds**, Vancouver, WA (US)
- (73) Assignee: **IP Holdings, LLC**, Vancouver, WA (US)
- (\*) Notice: This patent is subject to a terminal disclaimer.
- (\*\*) Term: **14 Years**
- (21) Appl. No.: **29/460,230**
- (22) Filed: **Jul. 9, 2013**
- (51) **LOC (10) Cl.** ..... **26-99**
- (52) **U.S. Cl.**  
USPC ..... **D26/118**
- (58) **Field of Classification Search**  
USPC ..... D26/24-26, 51, 56, 57, 61, 72-91, D26/92-102, 108, 109, 113, 118, 204; 362/3, 11, 12, 16, 145, 147-150, 362/217.01-217.12, 257, 265, 291, 294, 362/296.01, 296.09, 308, 317, 327, 328, 362/335, 362-368, 373, 404, 407, 412, 416, 362/455, 558, 563, 564, 576, 805-809, 362/811; D14/172, 184, 195, 204; D11/131, 142-144, 153; D6/553, 556  
CPC . Y10S 362/805; Y10S 385/901; Y10S 47/06; A01G 7/045; C12M 23/06; A01K 63/06; F21W 2131/308; F21W 2121/00  
See application file for complete search history.

D266,578	S	*	10/1982	Moshier	.....	D26/76
4,531,180	A		7/1985	Hernandez		
4,933,821	A		6/1990	Anderson		
D311,597	S		10/1990	Poot		
5,253,152	A	*	10/1993	Yang et al.	.....	362/368
5,353,746	A	*	10/1994	Del Rosario	.....	119/266
6,024,468	A	*	2/2000	Kassay et al.	.....	362/217.05
6,065,849	A	*	5/2000	Chen	.....	362/219
6,152,579	A		11/2000	Reed et al.		
D456,938	S		5/2002	Wardenburg		
D459,825	S		7/2002	Field		
6,488,387	B2	*	12/2002	Wardenburg	.....	362/403
D469,564	S		1/2003	Brok		
6,527,422	B1		3/2003	Hutchison		
6,595,662	B2	*	7/2003	Wardenburg	.....	362/362
D542,460	S	*	5/2007	Hargreaves	.....	D26/118
D543,652	S		5/2007	Hargreaves		
D543,654	S		5/2007	Hargreaves		
D544,139	S	*	6/2007	Hargreaves	.....	D26/118
D544,626	S	*	6/2007	Hargreaves	.....	D26/76
D544,981	S	*	6/2007	Hargreaves	.....	D26/76

(Continued)

*Primary Examiner* — Garth Rademaker  
*Assistant Examiner* — Llorellys Martinez-Rivera  
(74) *Attorney, Agent, or Firm* — J. Douglas Wells

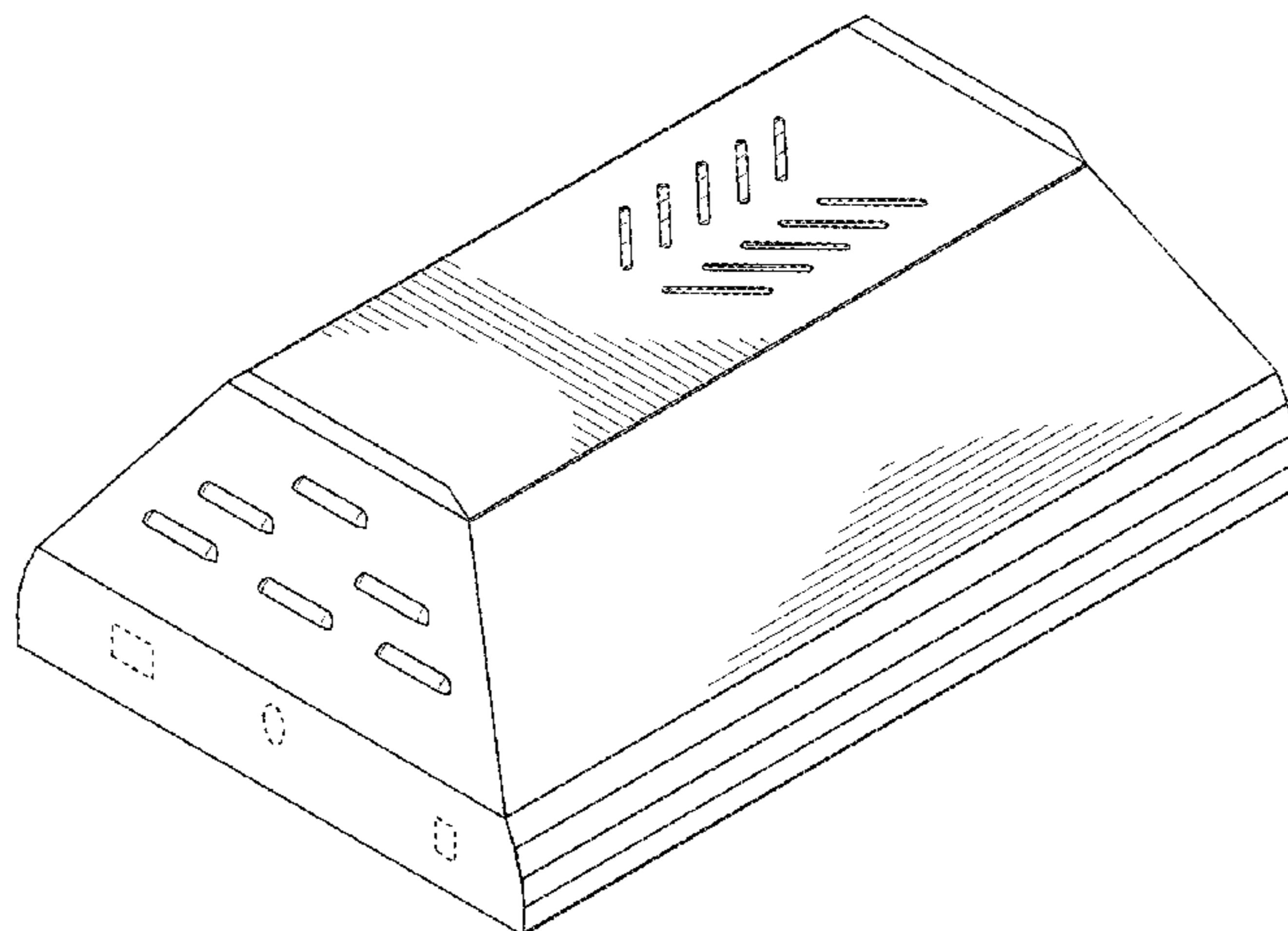
(57) **CLAIM**  
The ornamental design for a horticulture grow light housing, as shown.

**DESCRIPTION**

FIG. 1 is a front right perspective view of a horticulture grow light housing showing my new design;  
FIG. 2 is a top view thereof;  
FIG. 3 is a bottom view thereof;  
FIG. 4 is a front view thereof;  
FIG. 5 is a back view thereof;  
FIG. 6 is a right side view thereof; and,  
FIG. 7 is a left side view thereof.  
The broken lines of FIGS. 1-4 are included to show unclaimed portions of the horticulture grow light housing and form no part of the claimed design.

**1 Claim, 5 Drawing Sheets**

- (56) **References Cited**  
U.S. PATENT DOCUMENTS  
1,798,567 A \* 3/1931 Wagenhorst ..... 362/362  
1,987,705 A \* 1/1935 Pedersen ..... 362/364  
D123,768 S 12/1940 Scribner  
3,272,978 A 9/1966 Jackson



(56)

References Cited

U.S. PATENT DOCUMENTS

D544,982 S *	6/2007	Hargreaves	.....	D26/76	D634,468 S	3/2011	Hargreaves	
D544,983 S *	6/2007	Hargreaves	.....	D26/76	D634,469 S	3/2011	Hargreaves	
D544,984 S	6/2007	Hargreaves			D637,752 S	5/2011	Mehktarian	
D544,985 S *	6/2007	Hargreaves	.....	D26/78	7,972,044 B2	7/2011	Burkhauser	
D544,987 S	6/2007	Hargreaves			D661,833 S *	6/2012	Imajo et al.	..... D26/118
D544,994 S	6/2007	Hargreaves			8,209,912 B2	7/2012	Hargreaves et al.	
D544,995 S	6/2007	Hargreaves			D675,369 S	1/2013	Michaud	
D545,484 S	6/2007	Hargreaves			D678,599 S	3/2013	Boyer et al.	
D545,994 S	7/2007	Hargreaves			D683,064 S	5/2013	Tuck	
7,360,927 B2 *	4/2008	Oka et al.	.....	362/265	D698,986 S *	2/2014	Reynolds	..... D26/118
7,524,090 B2 *	4/2009	Hargreaves	.....	362/294	D705,474 S *	5/2014	Philips	..... D26/76
D603,087 S	10/2009	Mo et al.			2007/0051321 A1 *	3/2007	Chang	..... 119/266
7,641,367 B2	1/2010	Hargreaves et al.			2008/0205030 A1 *	8/2008	Hargreaves	..... 362/1
7,654,702 B1 *	2/2010	Ding et al.	.....	362/294	2008/0205071 A1	8/2008	Townsley	
D614,801 S	4/2010	Collins et al.			2008/0278950 A1	11/2008	Pickard et al.	
D633,640 S *	3/2011	Wauters	.....	D26/85	2009/0262540 A1	10/2009	Hargreaves et al.	
D634,060 S	3/2011	Wardenburg			2009/0310373 A1 *	12/2009	Burkhauser	..... 362/373
					2009/0316404 A1 *	12/2009	Mo et al.	..... 362/373
					2010/0277929 A1 *	11/2010	Hargreaves et al.	..... 362/368
					2013/0242573 A1 *	9/2013	Petrsoeki et al.	..... 362/373

\* cited by examiner

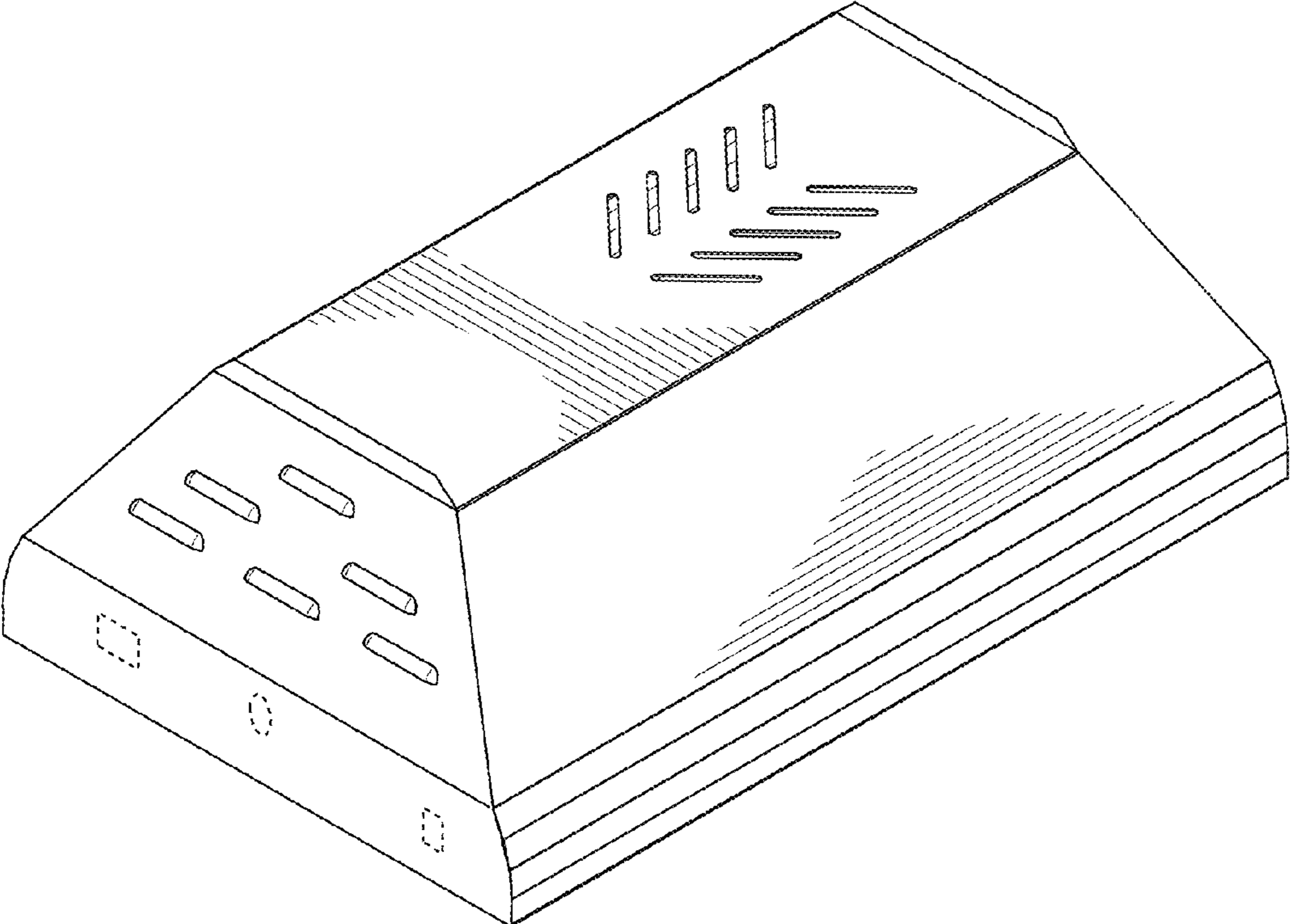


FIG. 1

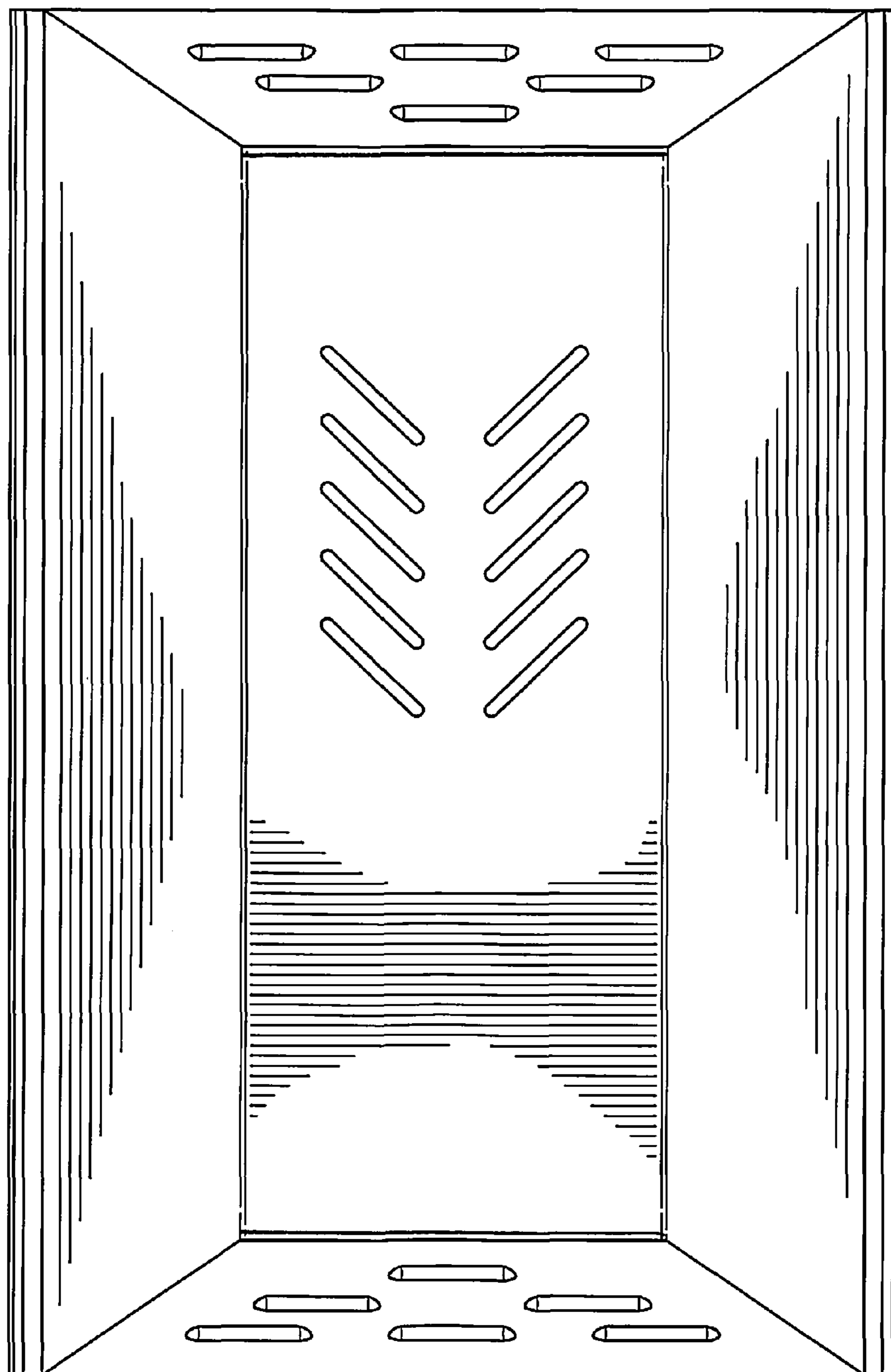


FIG. 2

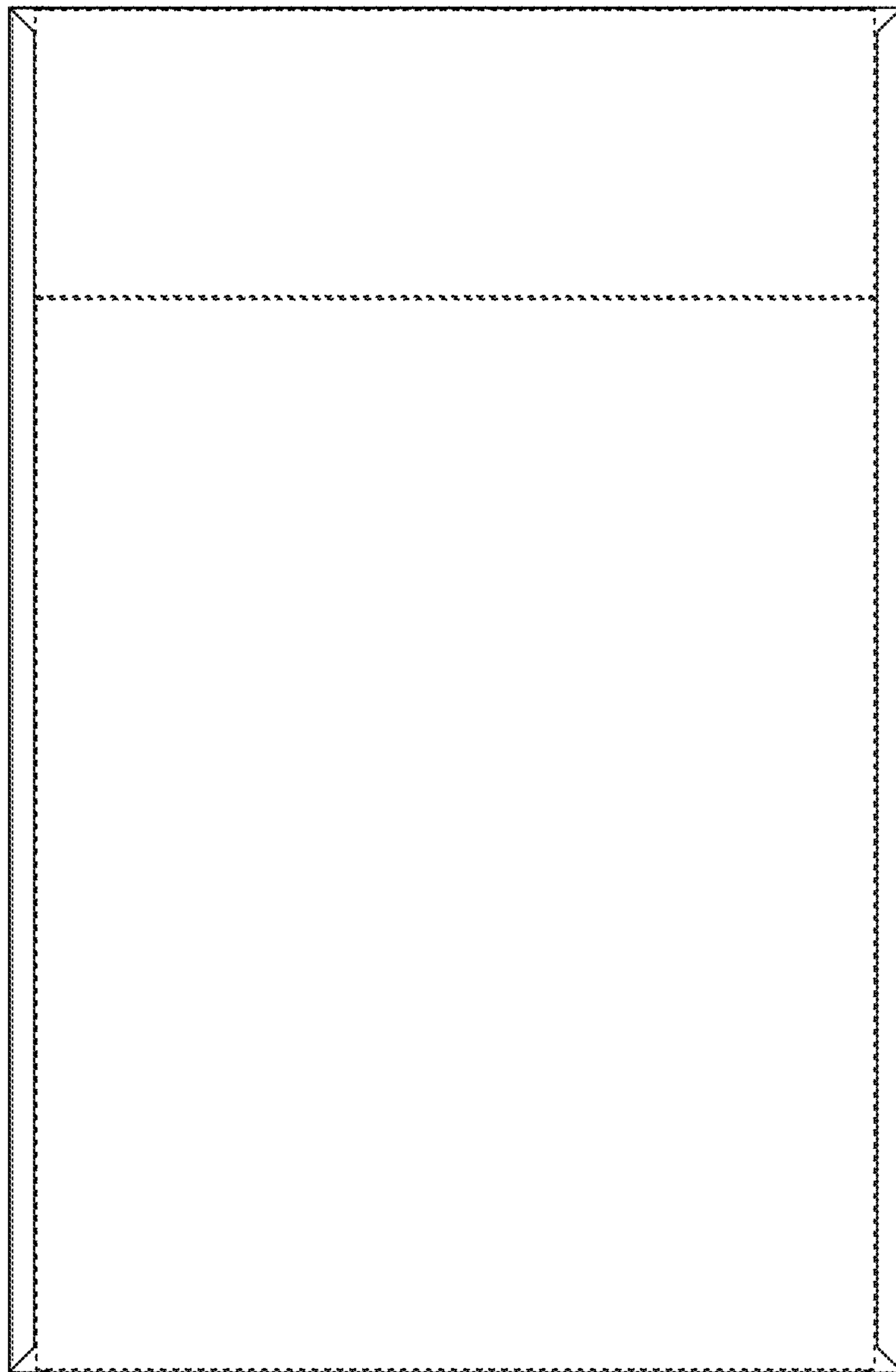
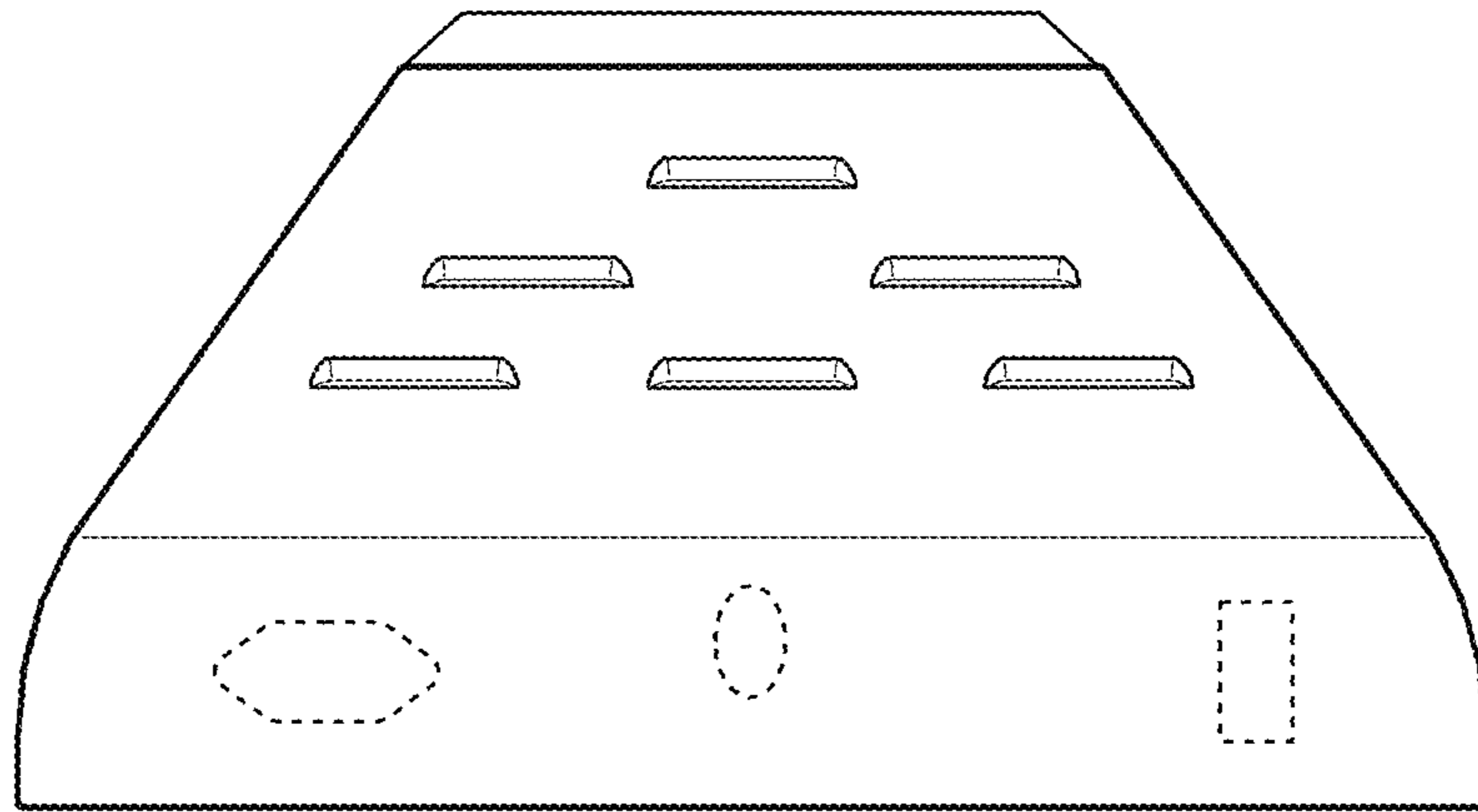
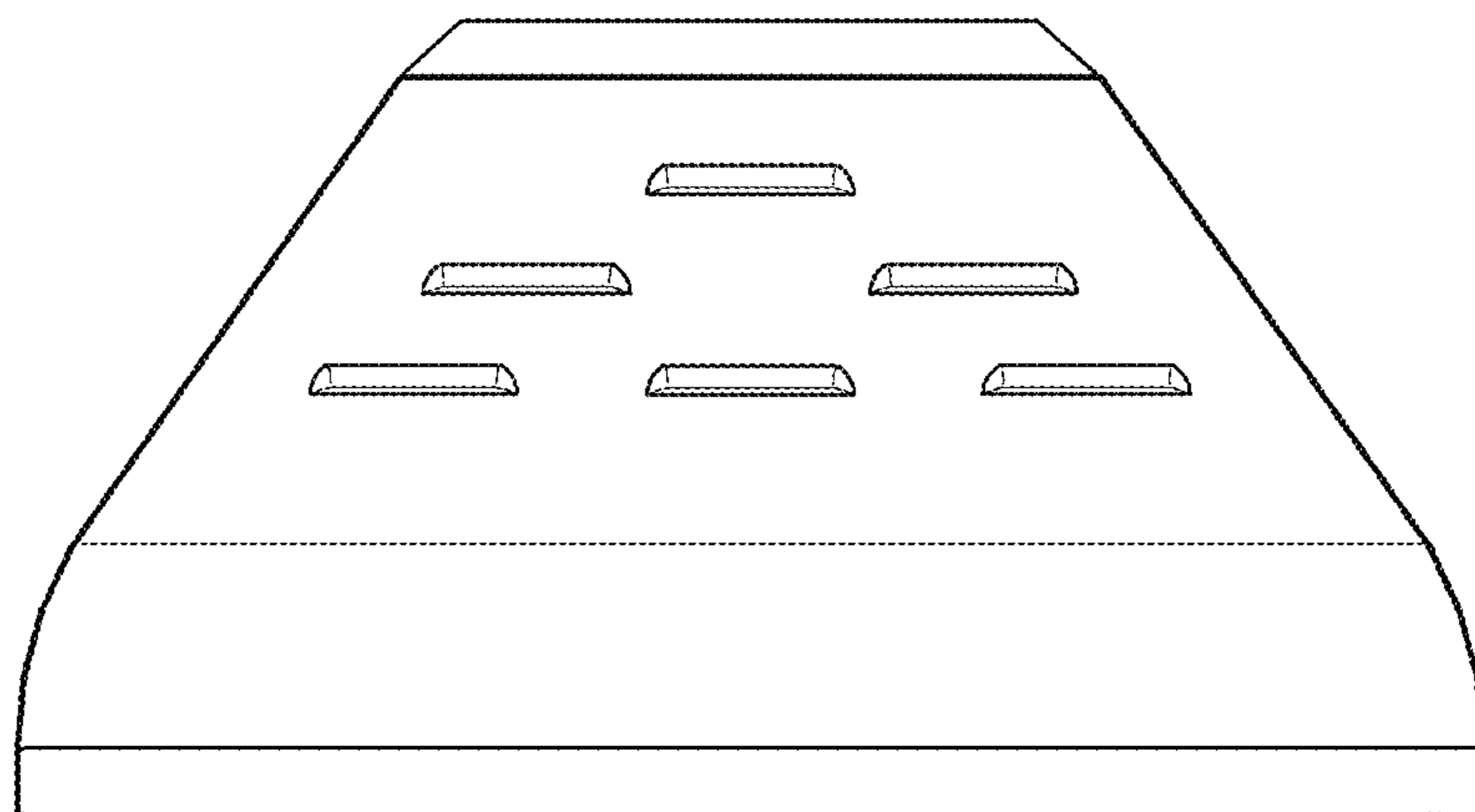


FIG. 3



**FIG. 4**



**FIG. 5**

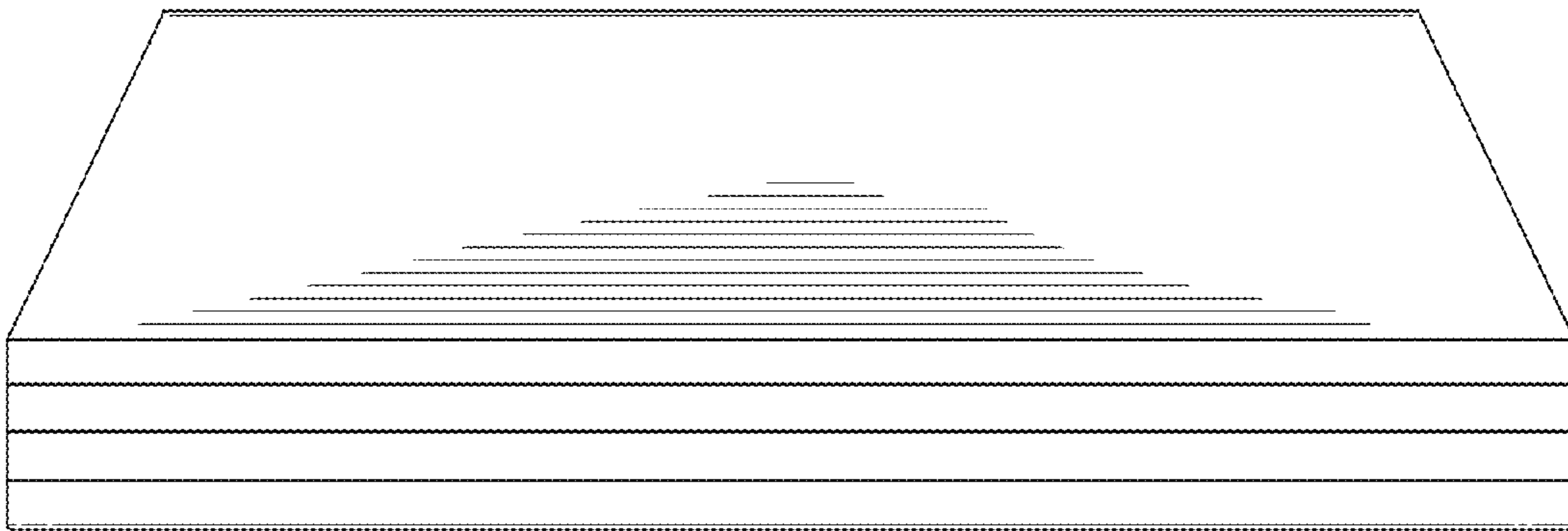


FIG. 6

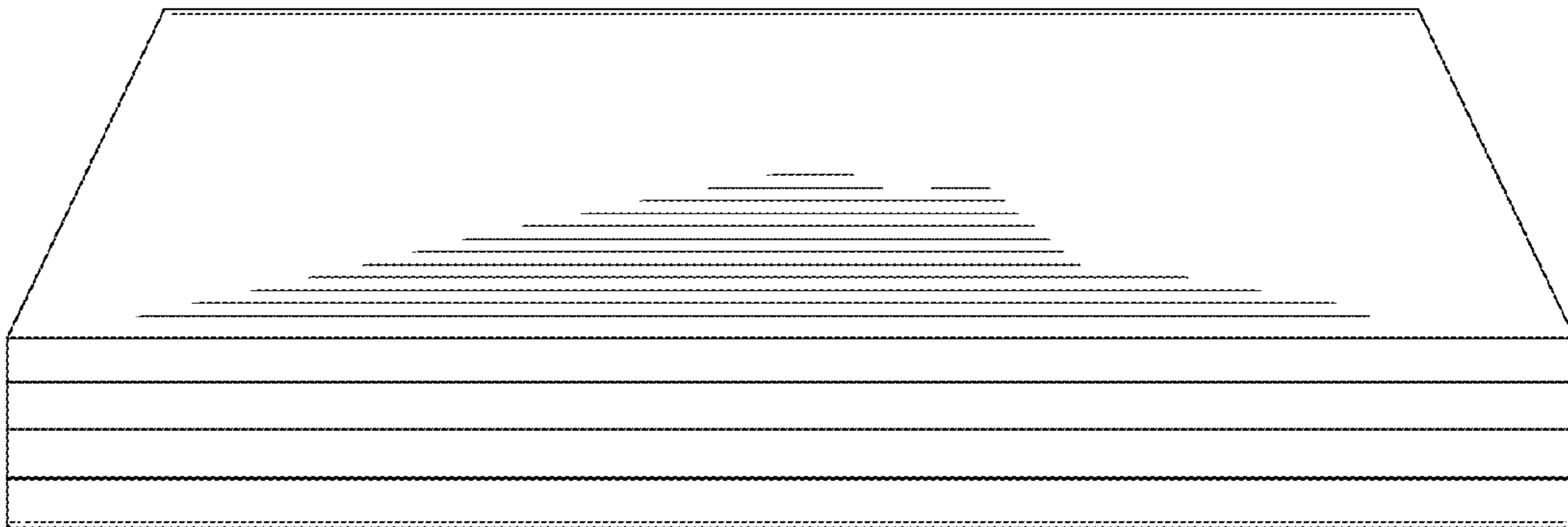


FIG. 7