



US00D745992S

(12) **United States Design Patent**
Chen

(10) **Patent No.:** **US D745,992 S**

(45) **Date of Patent:** **** Dec. 22, 2015**

(54) **LAMP**

(71) Applicant: **Catherine Chen**, Covina, CA (US)

(72) Inventor: **Catherine Chen**, Covina, CA (US)

(**) Term: **14 Years**

(21) Appl. No.: **29/488,967**

(22) Filed: **Apr. 25, 2014**

(51) **LOC (10) Cl.** **26-03**

(52) **U.S. Cl.**
USPC **D26/106**

(58) **Field of Classification Search**
USPC D26/24, 63, 65, 69, 88, 93, 102, 104,
D26/106, 108, 110
CPC F21S 6/00; F21S 6/002; F21S 6/003;
F21S 6/005; F21S 6/008; F21V 3/00; F21V
3/02; F21V 19/006

See application file for complete search history.

(56) **References Cited**

U.S. PATENT DOCUMENTS

D443,716 S *	6/2001	Vong et al.	D26/93
D624,689 S *	9/2010	Kao	D26/102
D640,824 S *	6/2011	Wang et al.	D26/93
D685,126 S *	6/2013	Ogg et al.	D26/93
D731,106 S *	6/2015	Lee	D26/93
D734,527 S *	7/2015	Anastassiades	D26/93

* cited by examiner

Primary Examiner — Brian N Vinson

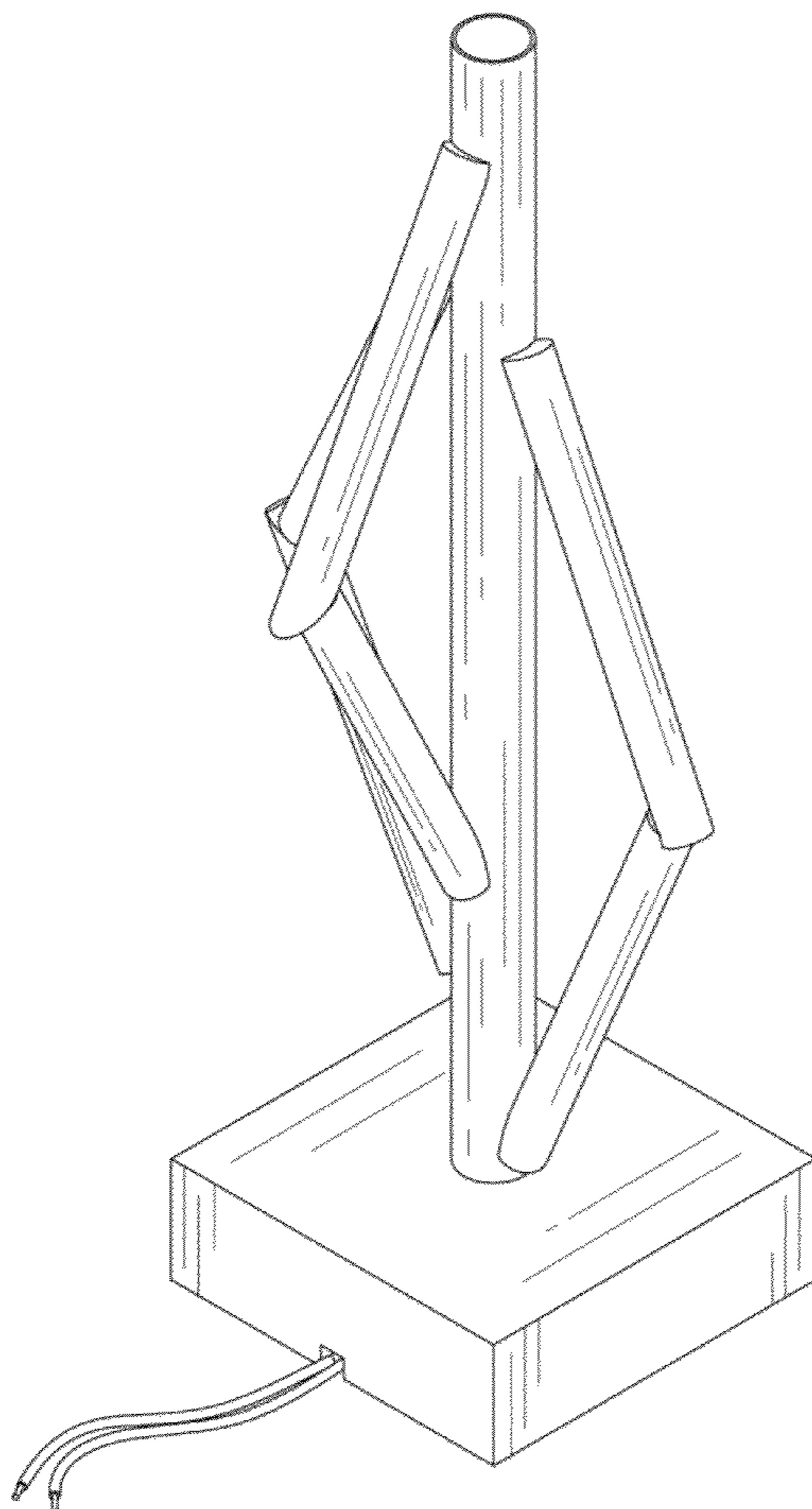
(57) **CLAIM**

I claim the ornamental design for a lamp, as shown and described.

DESCRIPTION

FIG. 1 is a front and right side perspective view of a lamp, showing my new design;
FIG. 2 is a front view thereof;
FIG. 3 is a bottom view thereof;
FIG. 4 is a top view thereof;
FIG. 5 is a left side view thereof;
FIG. 6 is a right side view thereof; and,
FIG. 7 is a rear view thereof.

1 Claim, 7 Drawing Sheets



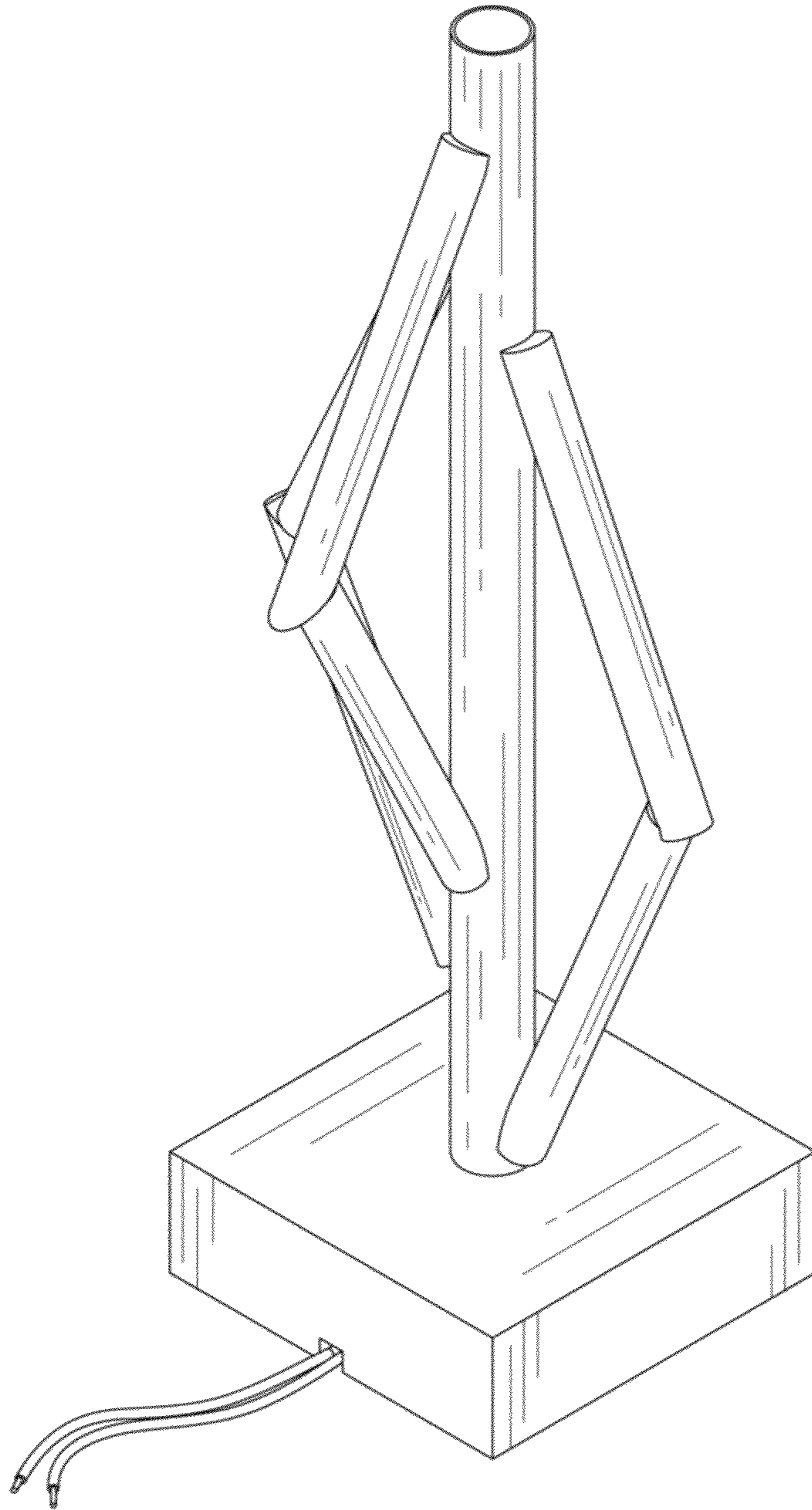


FIG 1

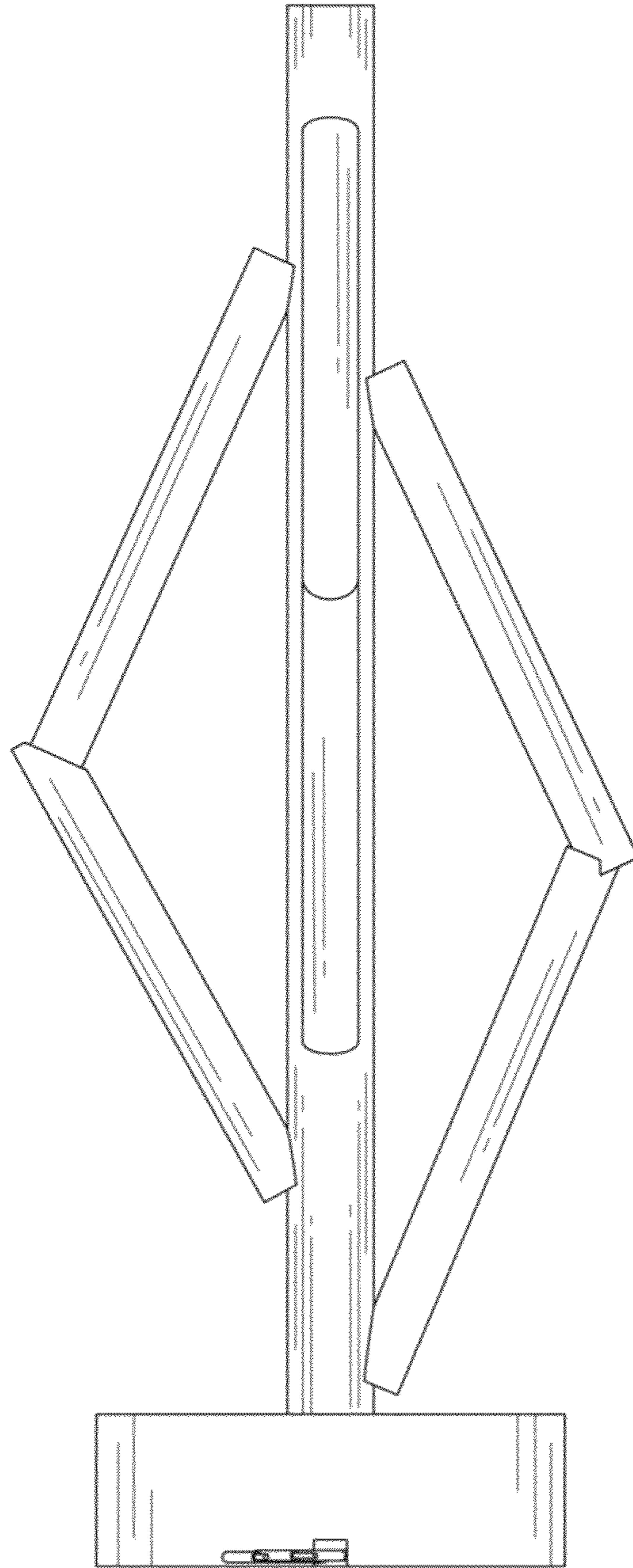


FIG 2

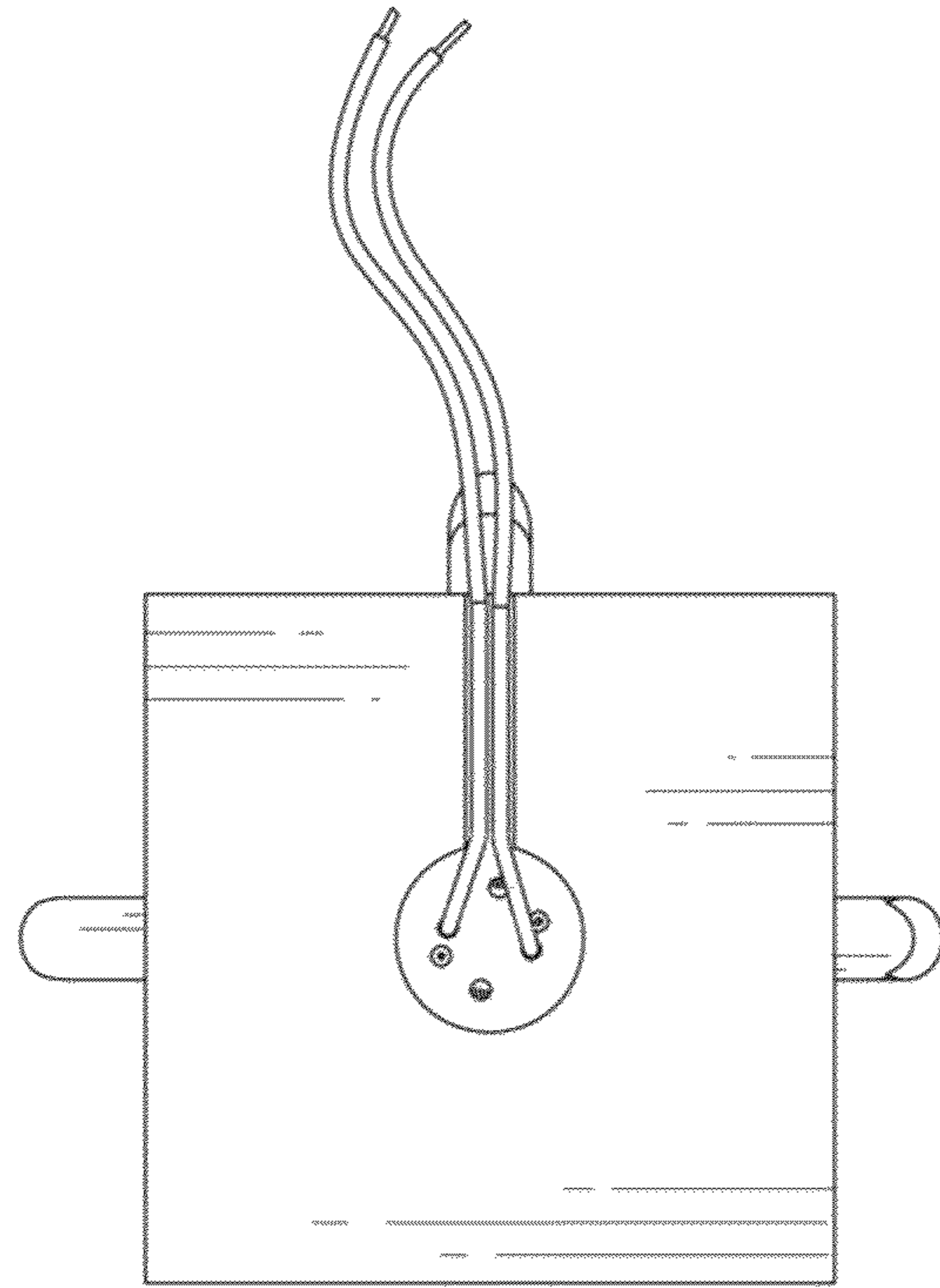


FIG 3

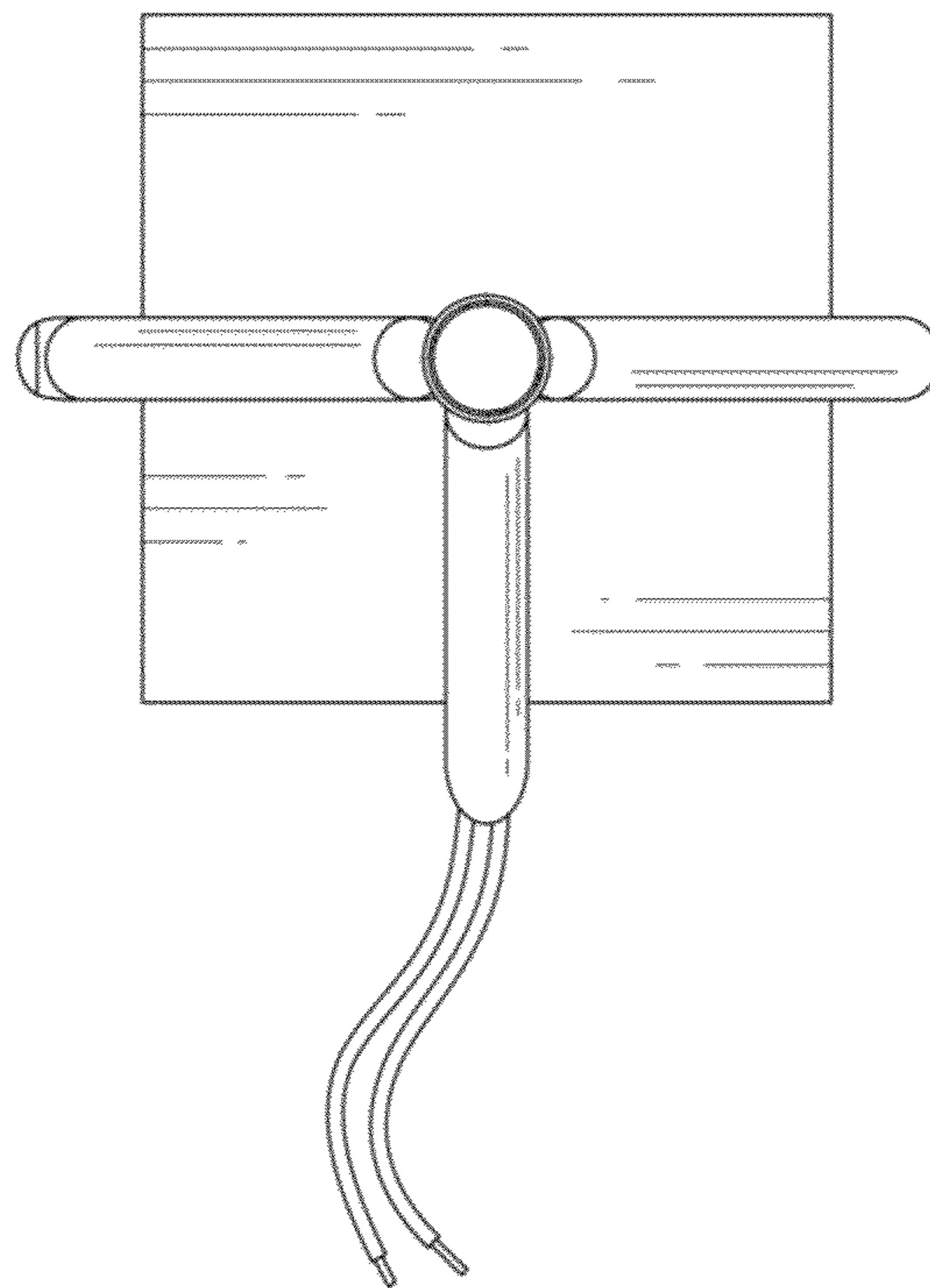


FIG 4

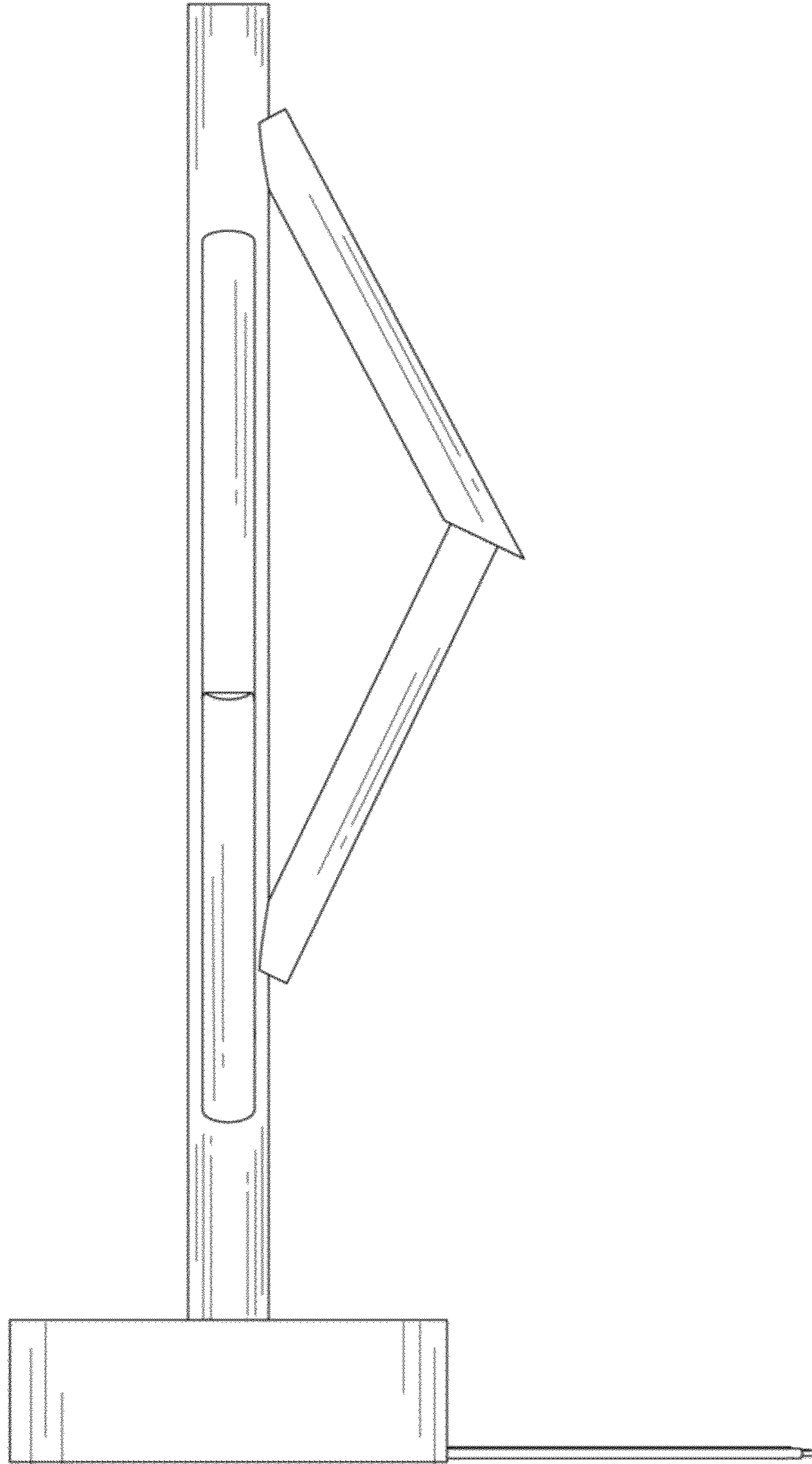


FIG 5

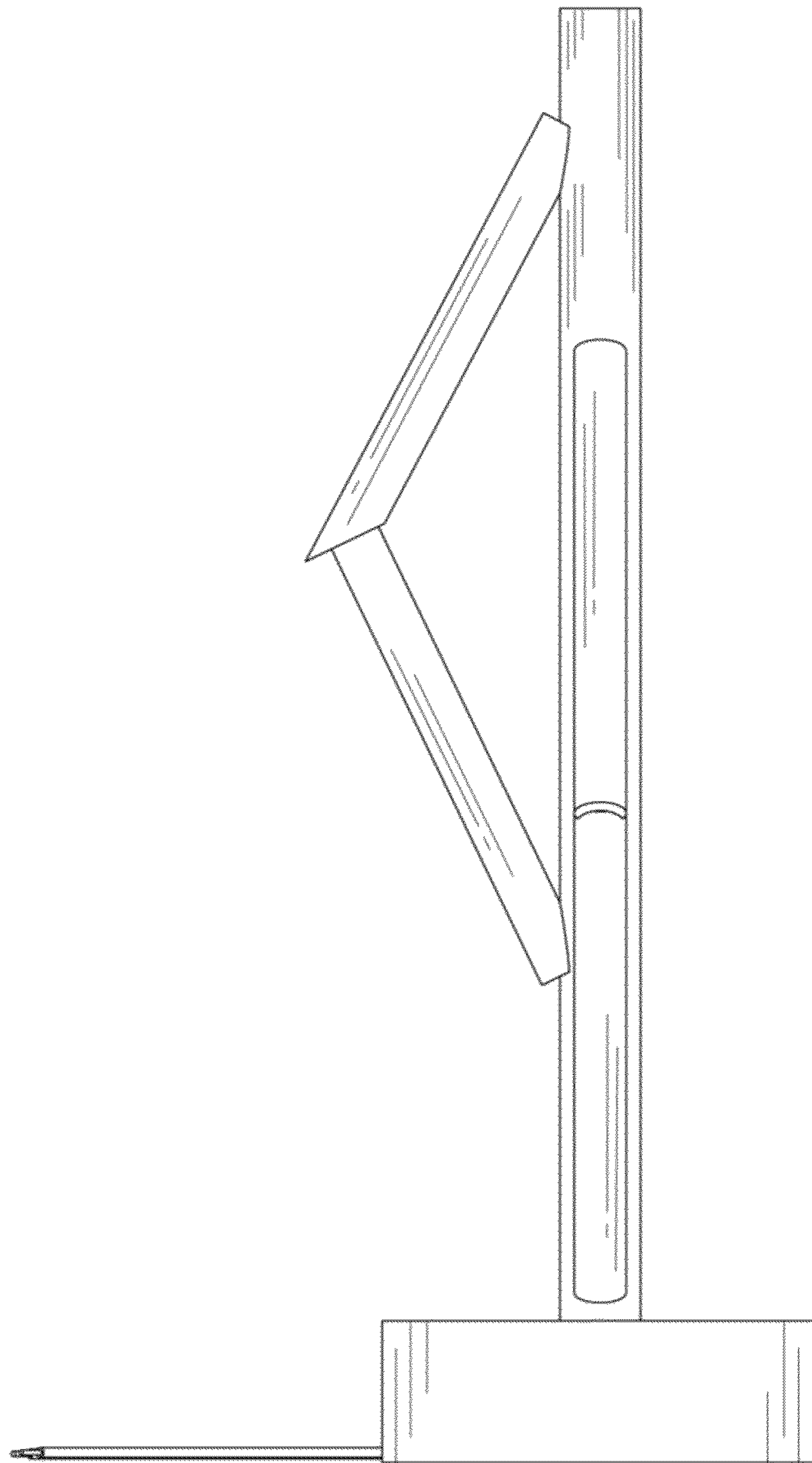


FIG 6

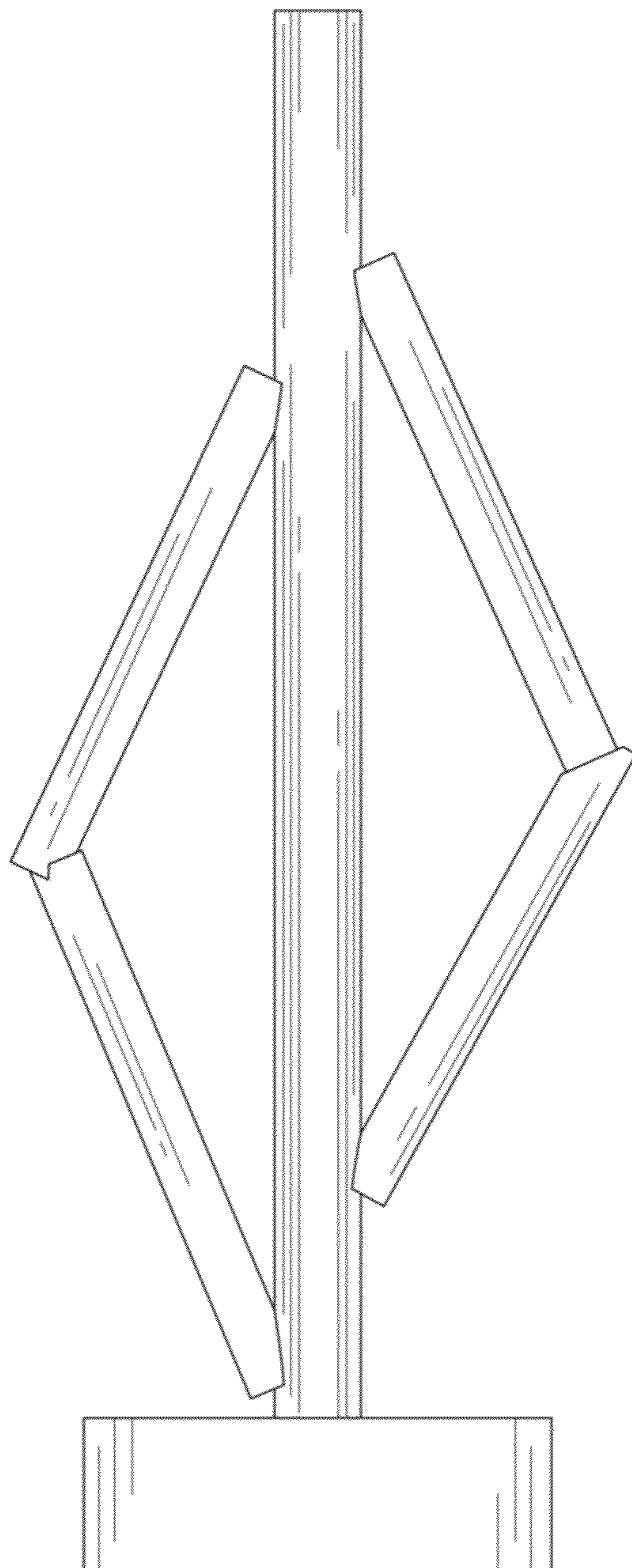


FIG 7