



US00D745990S

(12) **United States Design Patent**  
**Gebhard et al.**

(10) **Patent No.:** **US D745,990 S**

(45) **Date of Patent:** **\*\* Dec. 22, 2015**

(54) **SEARCHLIGHT**

(71) Applicant: **Golight, Inc.**, Culbertson, NE (US)

(72) Inventors: **Albert W. Gebhard**, Denver, CO (US);  
**Colton D. Hosick**, Culbertson, NE (US)

(73) Assignee: **Golight, Inc.**, Culbertson, NE (US)

(\*\*) Term: **14 Years**

(21) Appl. No.: **29/490,785**

(22) Filed: **May 13, 2014**

(51) **LOC (10) Cl.** ..... **26-03**

(52) **U.S. Cl.**  
USPC ..... **D26/63**

(58) **Field of Classification Search**  
USPC ..... D26/1, 24, 61, 63, 65, 85, 92  
CPC ..... F21V 21/14; F21V 15/01; F21V 14/02;  
F21V 21/30; F21V 21/00; F21V 14/00;  
F21S 8/00; F21S 8/003; F21S 8/043; F21Y  
2105/001

See application file for complete search history.

(56) **References Cited**

**U.S. PATENT DOCUMENTS**

D239,315 S	3/1976	Satoh et al.
D320,462 S	10/1991	Williams et al.
D322,136 S	12/1991	Shima et al.
D327,953 S	7/1992	Jordan
D347,704 S	6/1994	Thompson et al.
D351,243 S	10/1994	Williams et al.
5,490,046 A	2/1996	Gohl et al.
5,673,989 A	10/1997	Gohl et al.
6,079,852 A	6/2000	Kamaya et al.
D515,228 S	2/2006	Gebhard et al.
D528,678 S	9/2006	Yen

D566,318 S	4/2008	Quiogue et al.	
D573,286 S	7/2008	Zettl	
D582,084 S	12/2008	Gebhard et al.	
D629,550 S	* 12/2010	Sandell	D26/63
D646,822 S	* 10/2011	Johannessen et al.	D26/63
D666,346 S	* 8/2012	Gebhard et al.	D26/63
D693,509 S	* 11/2013	Hosick et al.	D26/63
D703,851 S	* 4/2014	Gebhard et al.	D26/63
D732,219 S	* 6/2015	Adams	D26/63
D734,521 S	* 7/2015	Gebhard et al.	D26/63
D734,887 S	* 7/2015	Gebhard et al.	D26/63

\* cited by examiner

*Primary Examiner* — Brian N Vinson

(74) *Attorney, Agent, or Firm* — Polson Intellectual Property Law, PC; Margaret Polson

(57) **CLAIM**

The ornamental design of a searchlight, as shown and described.

**DESCRIPTION**

FIG. 1 is a front perspective view of our new design for a searchlight.

FIG. 2 is a front elevation view of in FIG. 1.

FIG. 3 is a back elevation view of FIG. 1.

FIG. 4 is a side elevation view, which are mirror images thereof, of the right and left sides of FIG. 1.

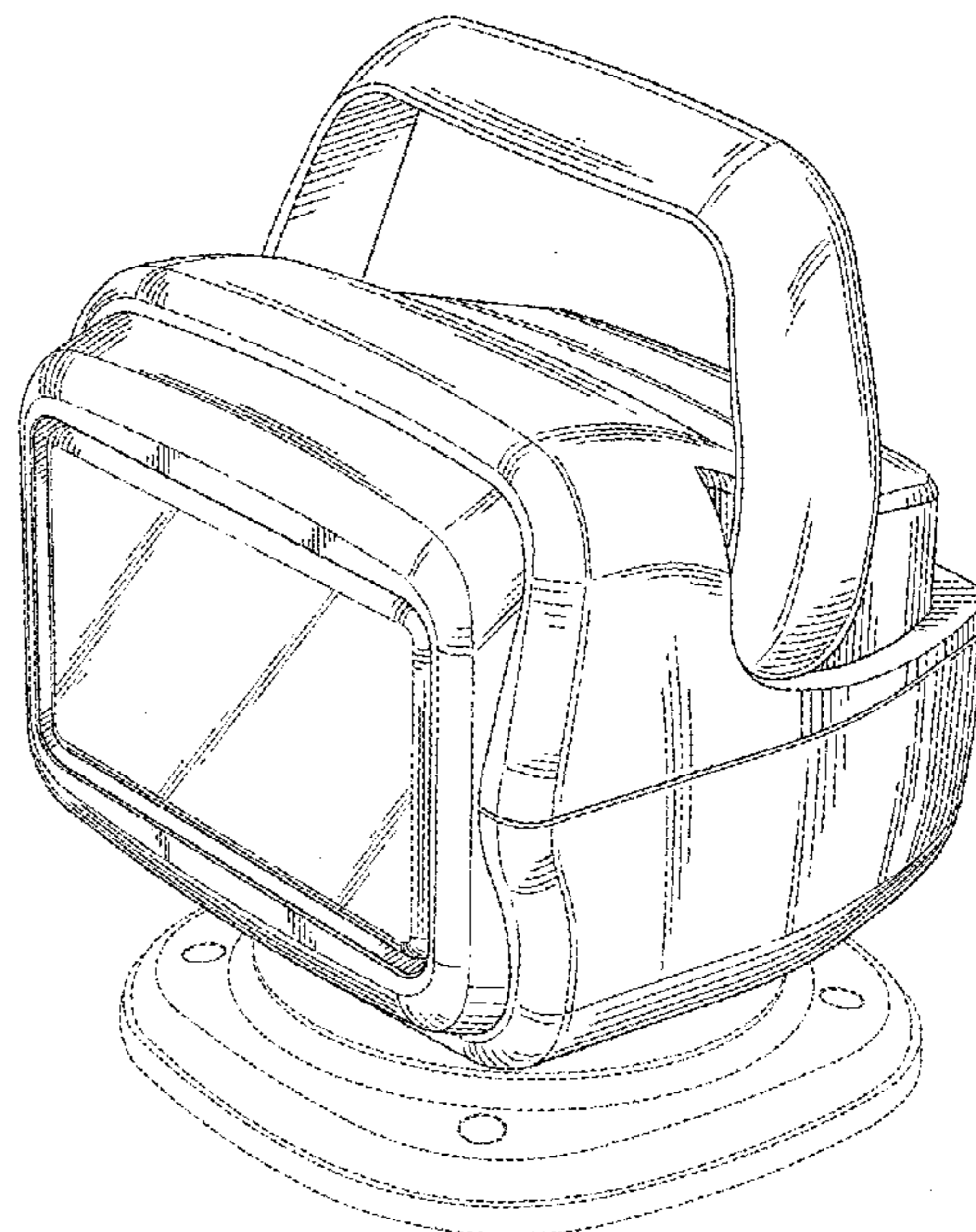
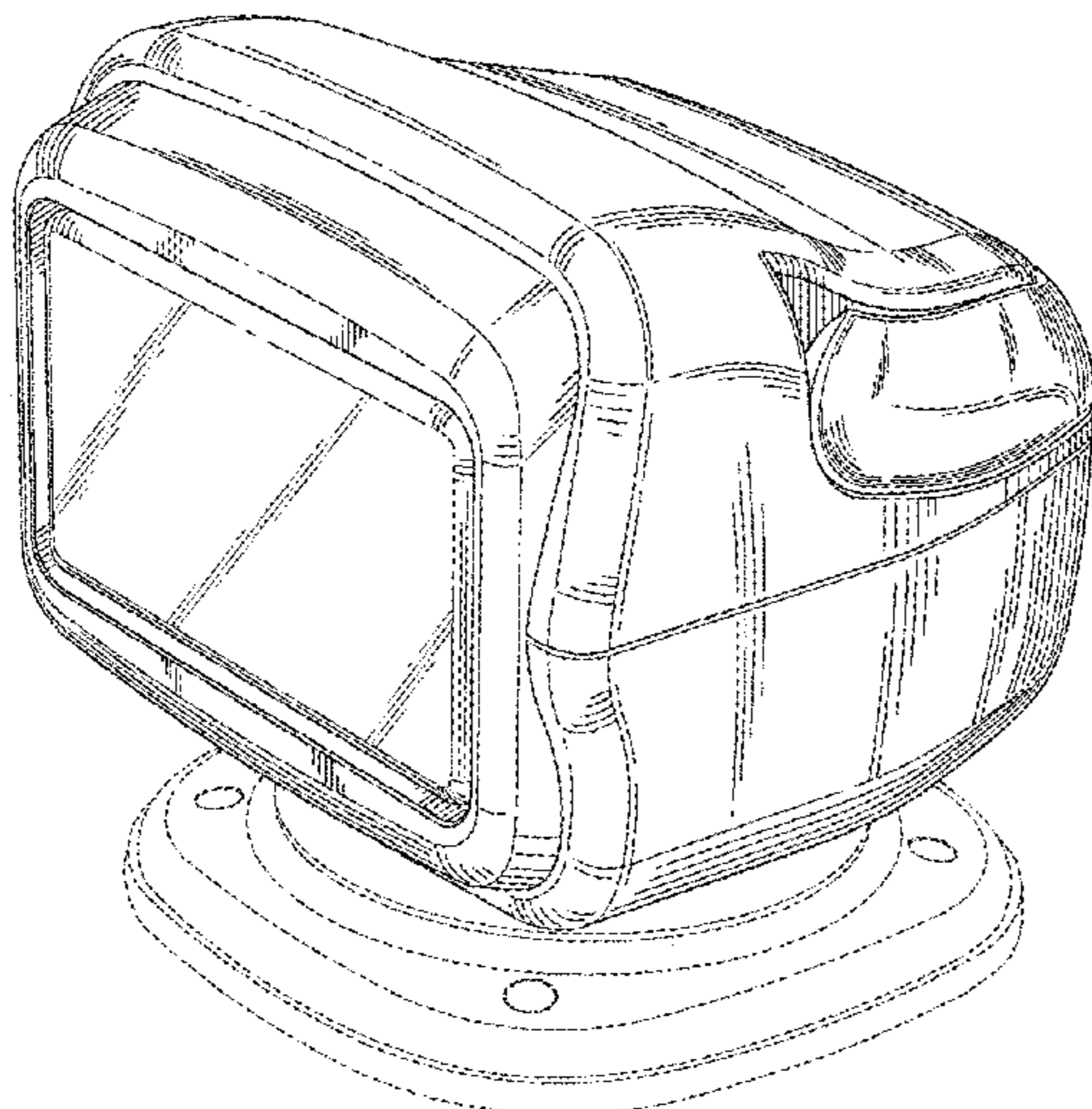
FIG. 5 is a top plan view of FIG. 1.

FIG. 6 is a bottom plan view of FIG. 1.

FIG. 7 is a front perspective view of the searchlight of FIG. 1, the only difference being the handle having been rotated, it being understood that all of other surfaces are identical; and, FIG. 8 is a side elevation view, which are mirror images thereof, of the right and left sides of FIG. 7.

The broken line disclosure in the views represents a portion of the searchlight which forms no part of the claimed design.

**1 Claim, 8 Drawing Sheets**



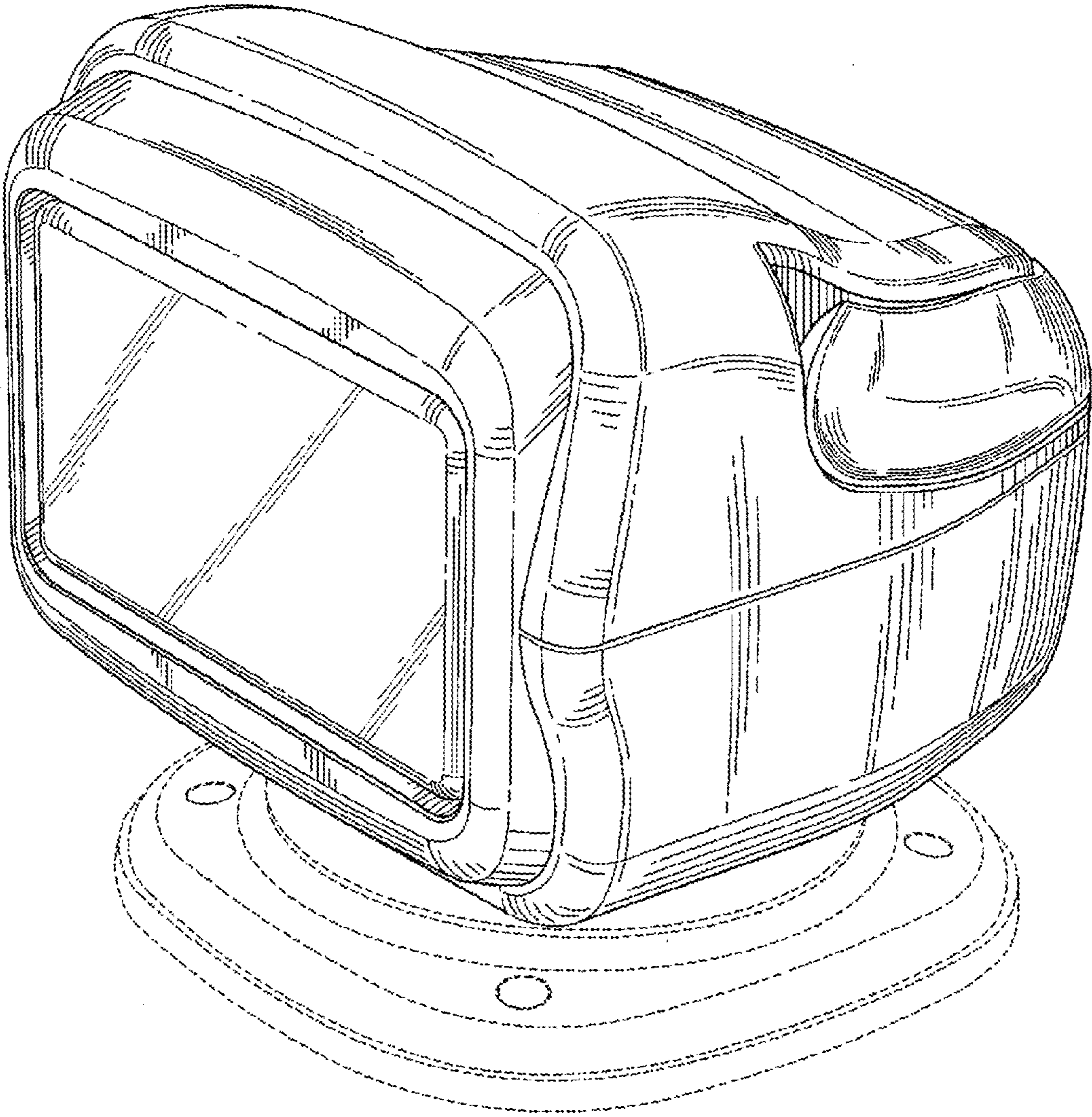


FIG.1

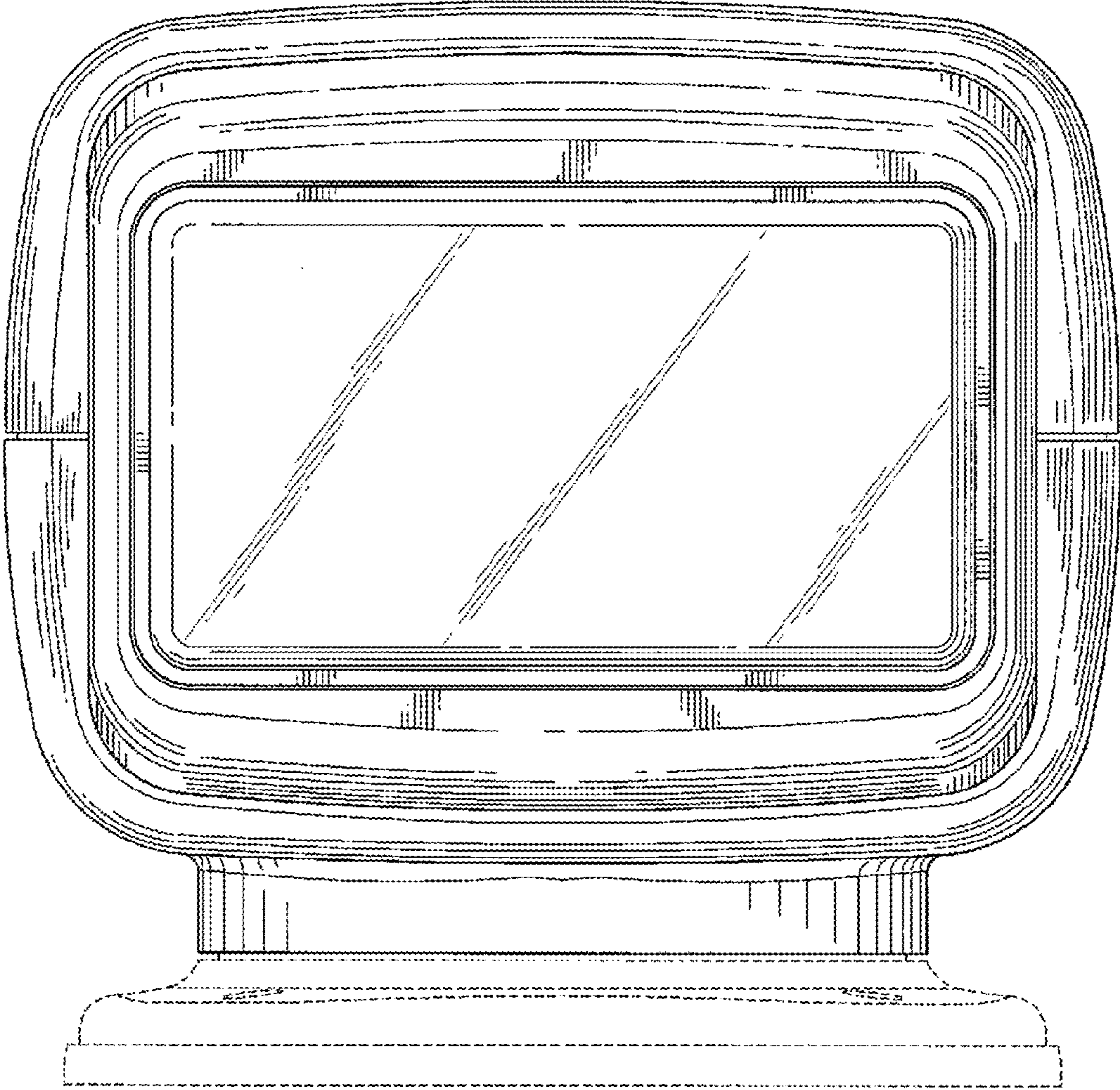


FIG.2

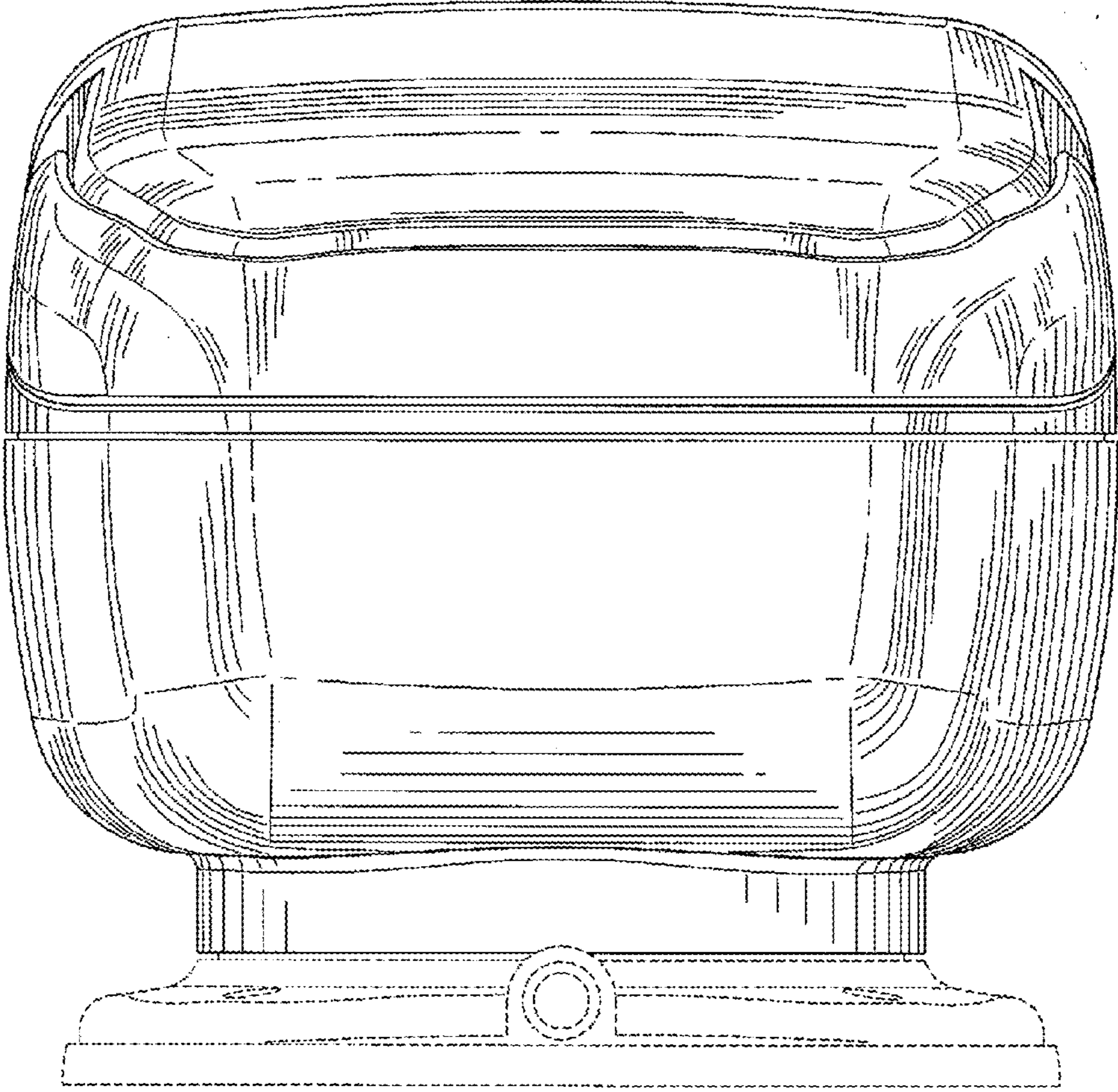


FIG.3

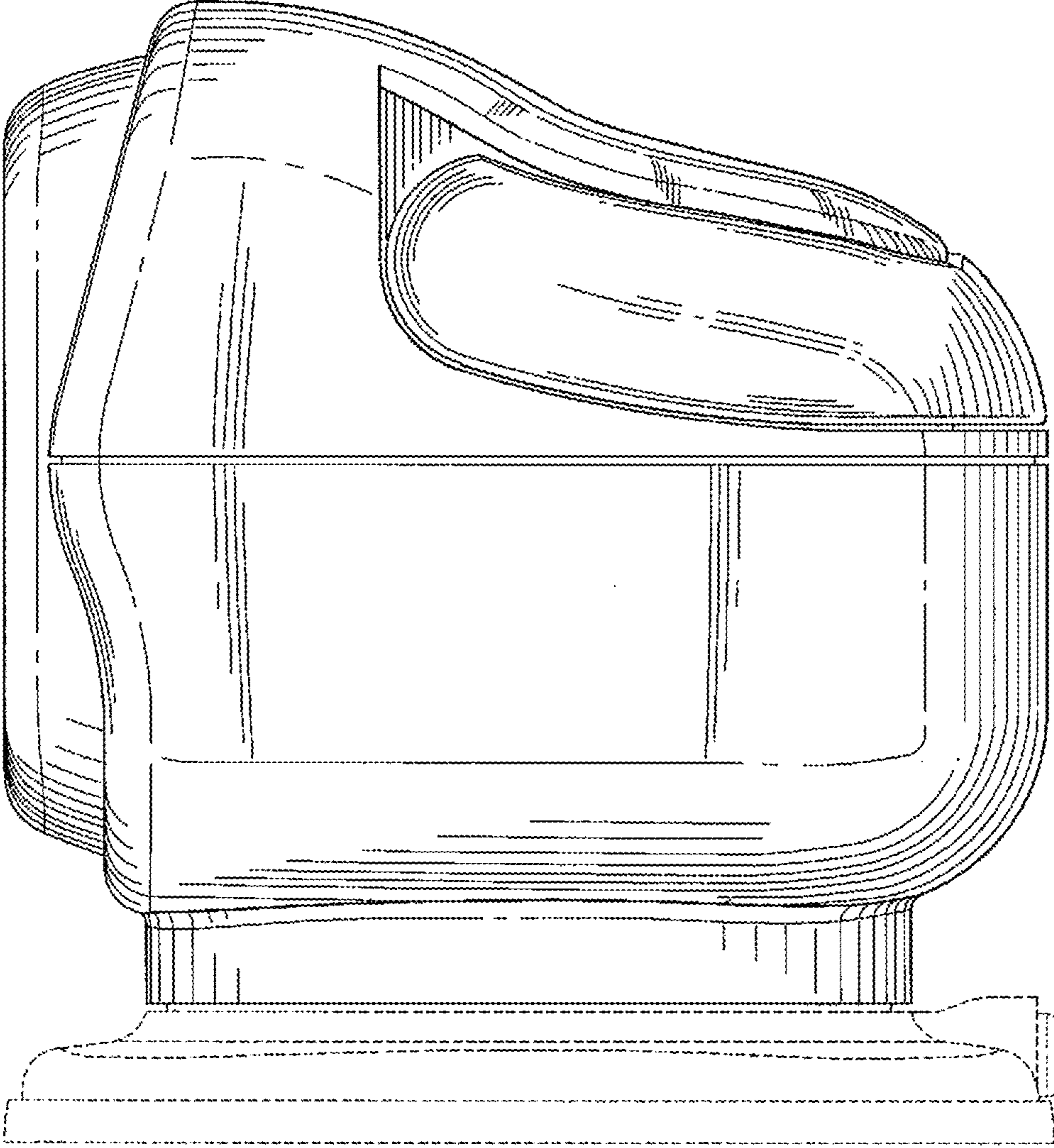


FIG.4

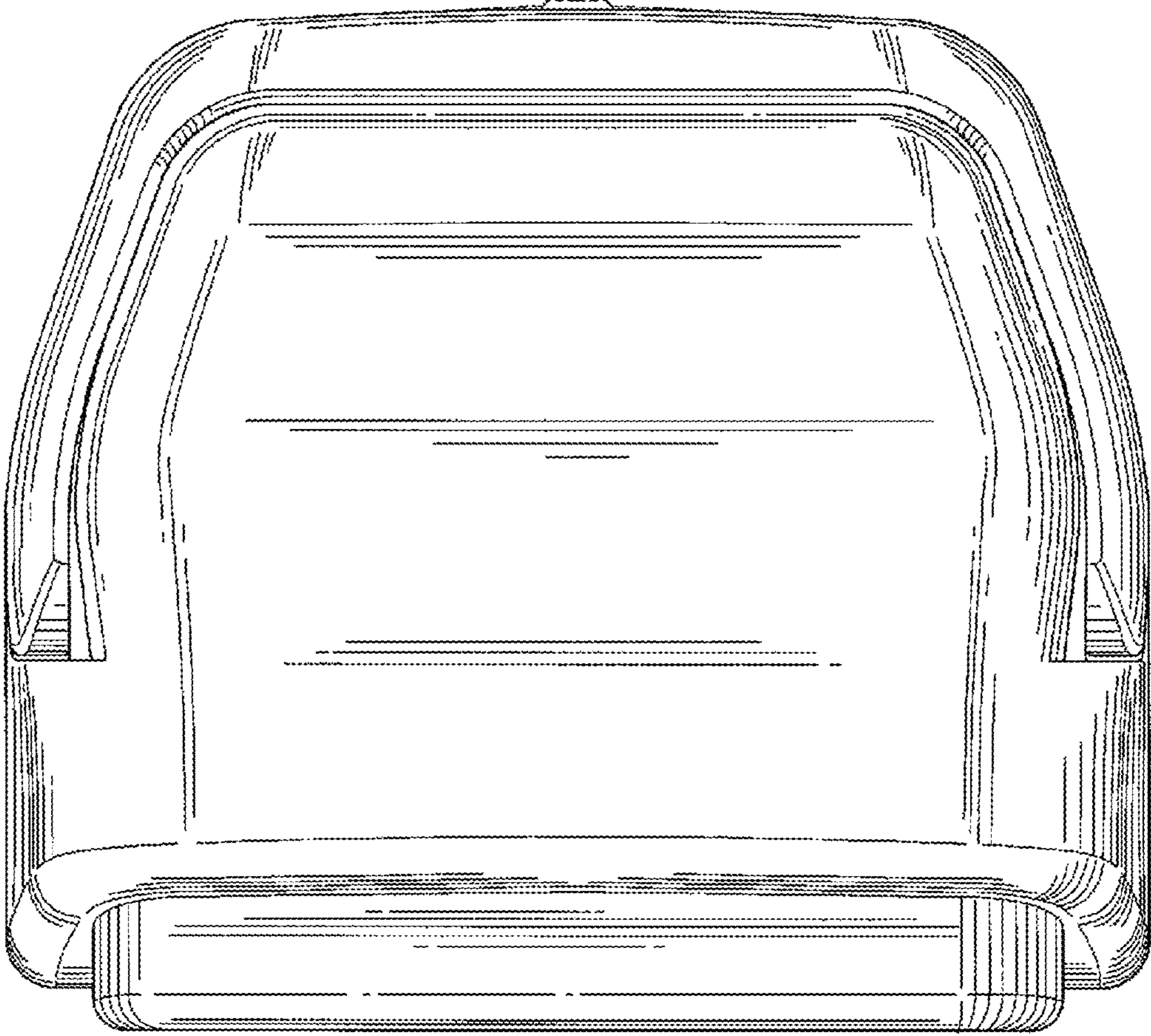


FIG.5

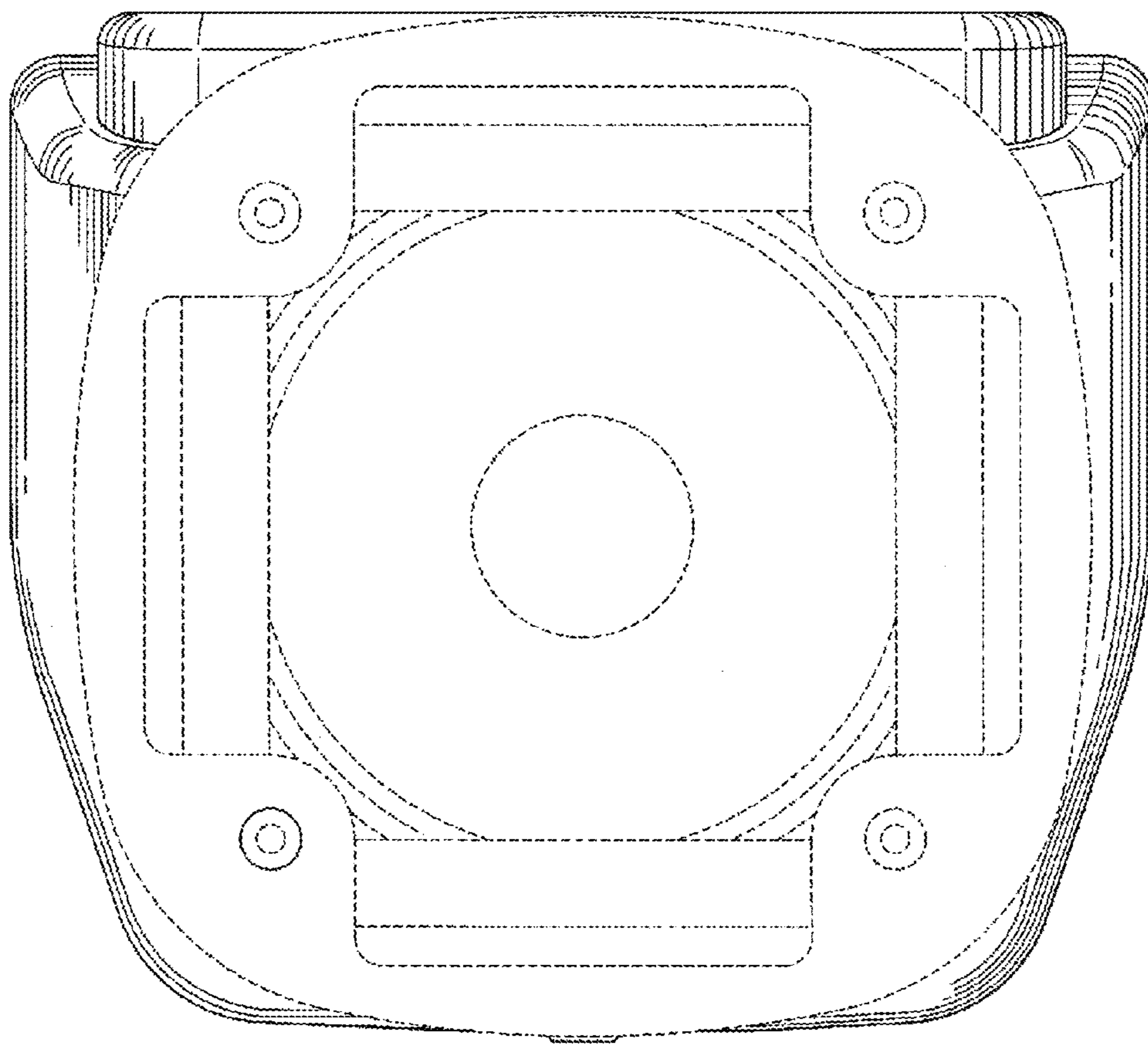


FIG.6

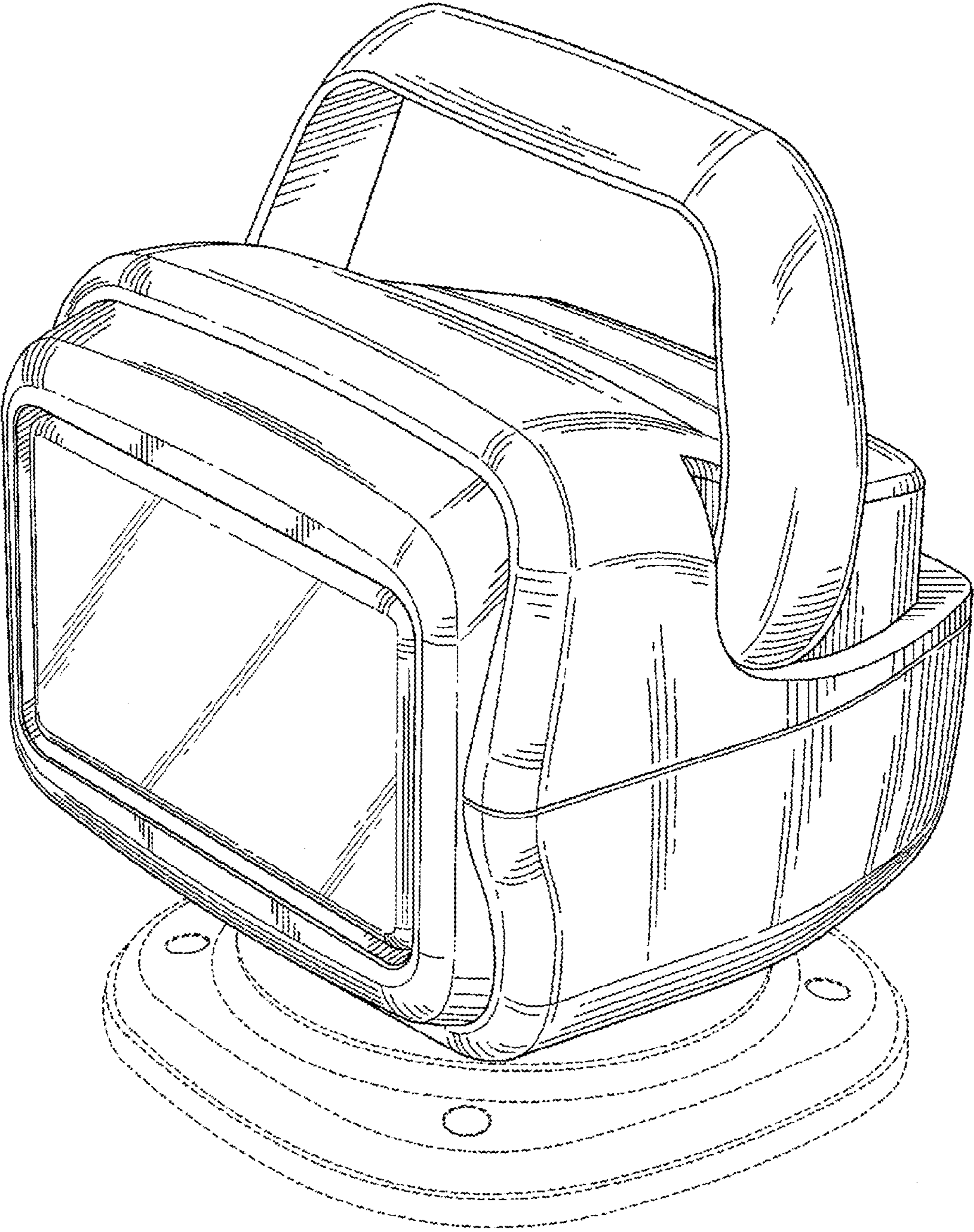


FIG.7



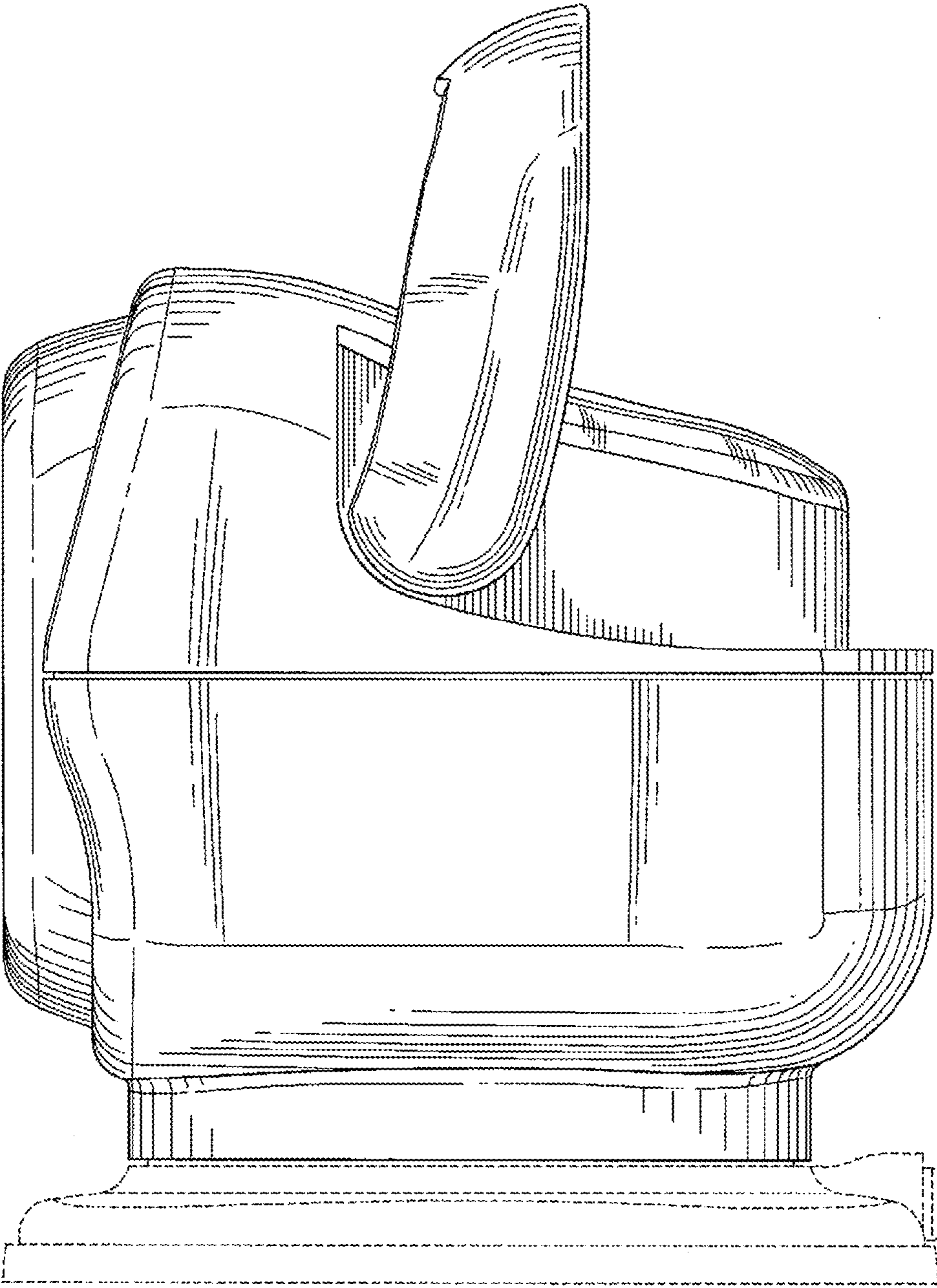


FIG. 8