



US00D745988S

(12) **United States Design Patent**  
**Ahn**

(10) **Patent No.:** **US D745,988 S**

(45) **Date of Patent:** **\*\* Dec. 22, 2015**

(54) **LIGHT SWITCH SHAPED FLASHLIGHT**

(71) Applicant: **Kikkerland Design, Inc.**, New York, NY  
(US)

(72) Inventor: **Ilmo Ahn**, Gunpo (KR)

(73) Assignee: **Kikkerland Design, Inc.**, New York, NY  
(US)

(\*\*) Term: **14 Years**

(21) Appl. No.: **29/503,599**

(22) Filed: **Sep. 27, 2014**

(51) **LOC (10) Cl.** ..... **26-02**

(52) **U.S. Cl.**  
USPC ..... **D26/38**

(58) **Field of Classification Search**  
USPC ..... D26/37-50; 362/171-174, 183-208  
CPC ..... F21L 2/00; F21L 4/00; F21L 4/005;  
F21L 17/00; F21L 13/08; F21Y 2101/00;  
F21V 21/30; F21V 21/406  
See application file for complete search history.

(56) **References Cited**

**U.S. PATENT DOCUMENTS**

D448,873 S	*	10/2001	Dalton et al.	.....	D26/37
D485,630 S	*	1/2004	Chue	.....	D26/38
D498,551 S	*	11/2004	Chan	.....	D26/37
D523,160 S	*	6/2006	Chen	.....	D26/37

D524,469 S	*	7/2006	Pitot	.....	D26/37
D524,962 S	*	7/2006	Farmer	.....	D26/37
D580,573 S	*	11/2008	Leslie	.....	D26/37
D580,574 S	*	11/2008	Leslie	.....	D26/37

\* cited by examiner

*Primary Examiner* — Marcus Jackson

(74) *Attorney, Agent, or Firm* — Cascio & Zervas

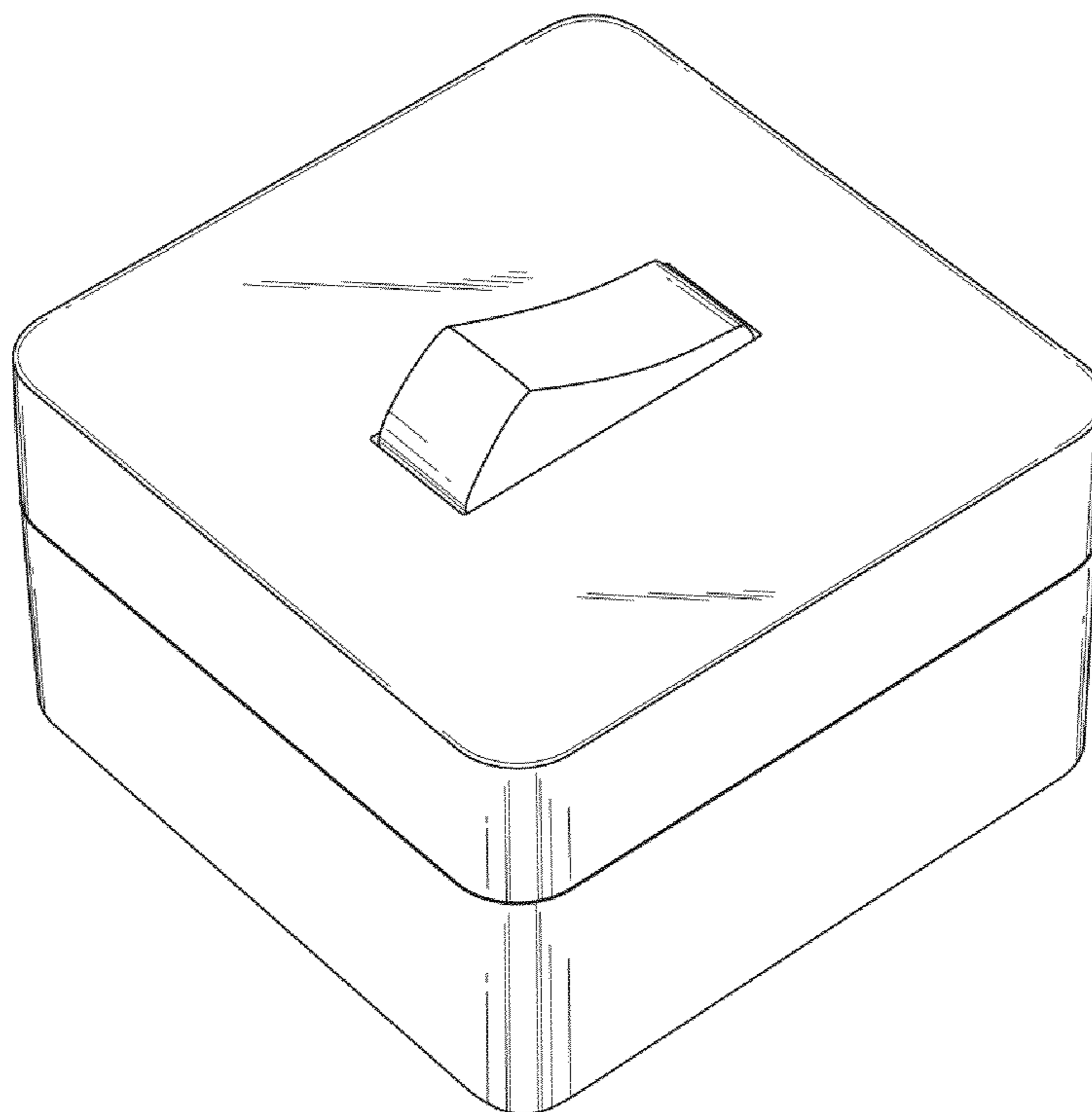
(57) **CLAIM**

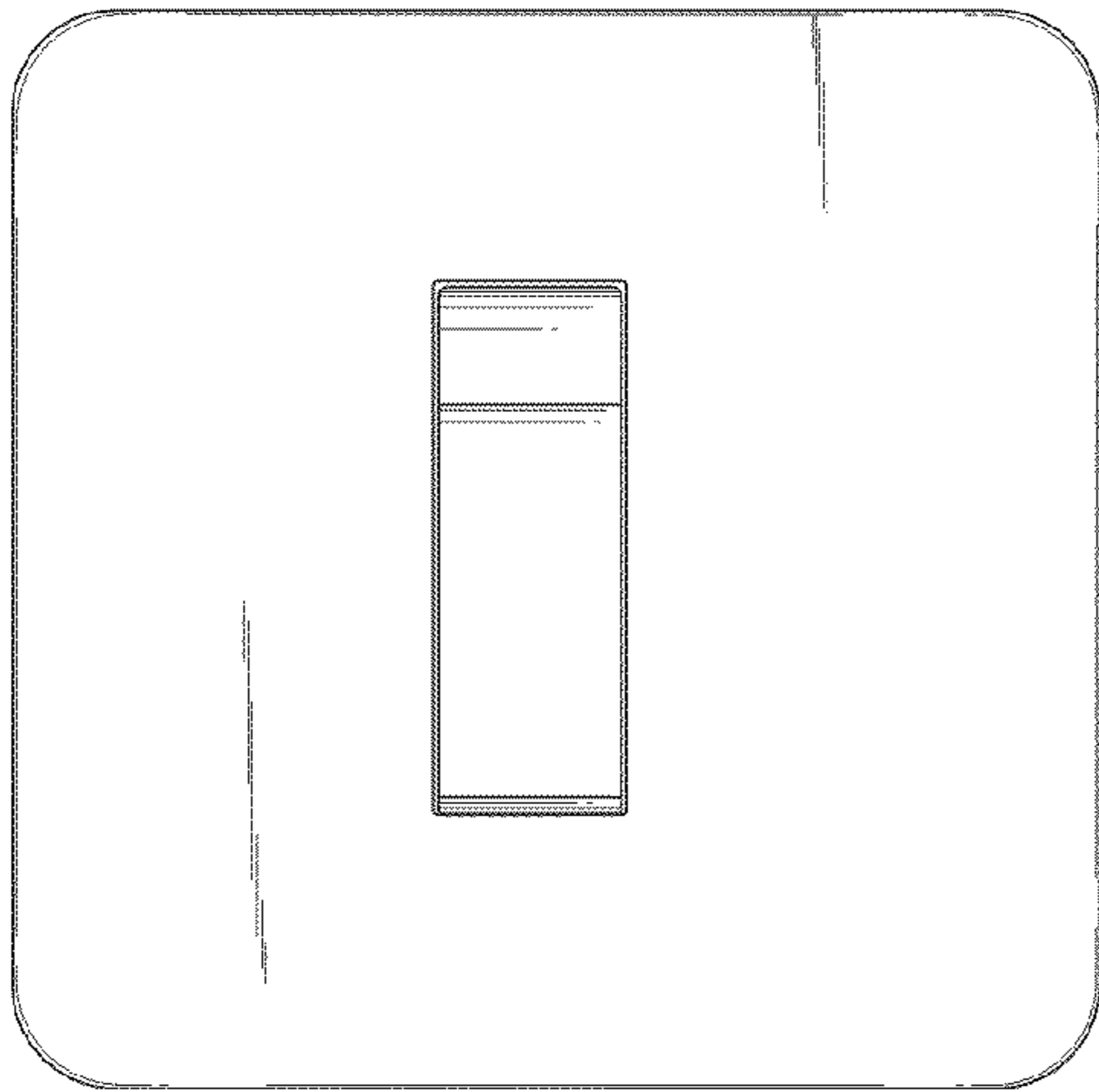
The ornamental design for a light switch shaped flashlight, as shown and described.

**DESCRIPTION**

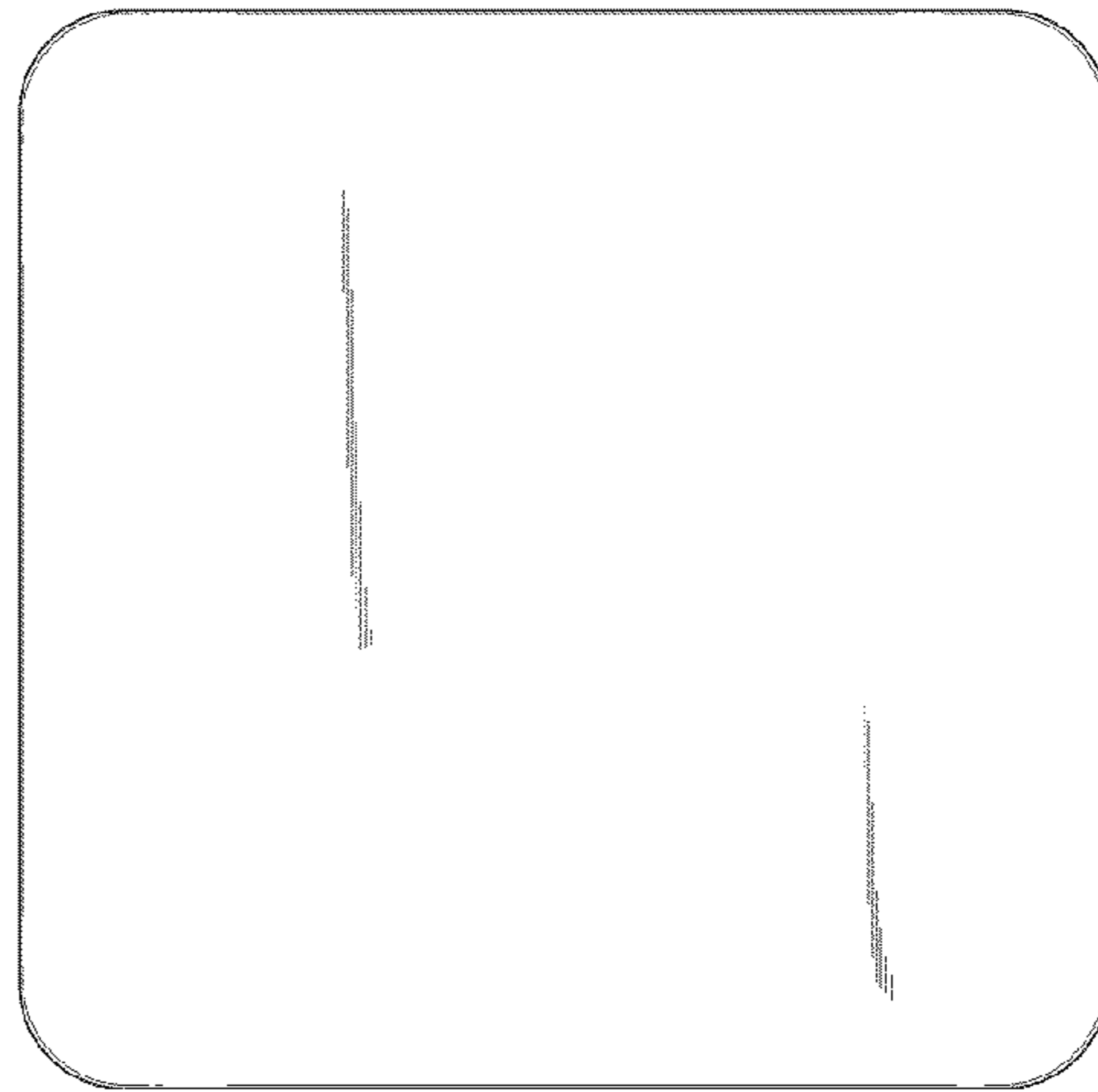
FIG. 1 is a top plan view of the light switch shaped flashlight showing my design;  
FIG. 2 is a bottom plan view thereof;  
FIG. 3 is a right side elevational view thereof;  
FIG. 4 is a left side elevational view thereof;  
FIG. 5 is a front elevational view thereof;  
FIG. 6 is a rear elevational view thereof;  
FIG. 7 is a front perspective view thereof;  
FIG. 8 is another front perspective view thereof showing the switch in the pressed position; and,  
FIG. 9 is an exploded perspective view thereof showing the cover separated from the main body.  
The phantom lines shown in the FIG. 9 are illustrative of environmental structure only and form no part of the claimed design.

**1 Claim, 3 Drawing Sheets**

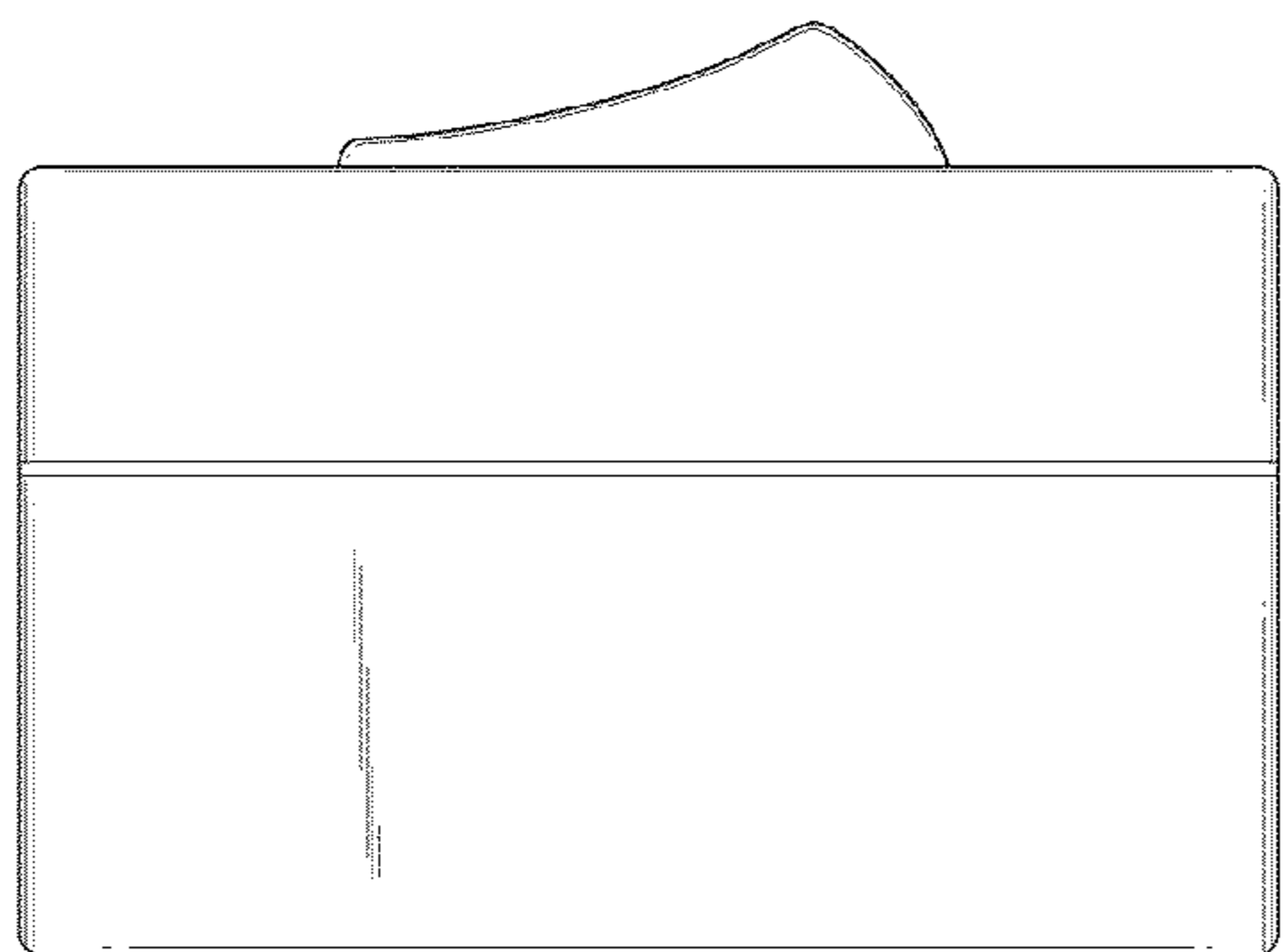




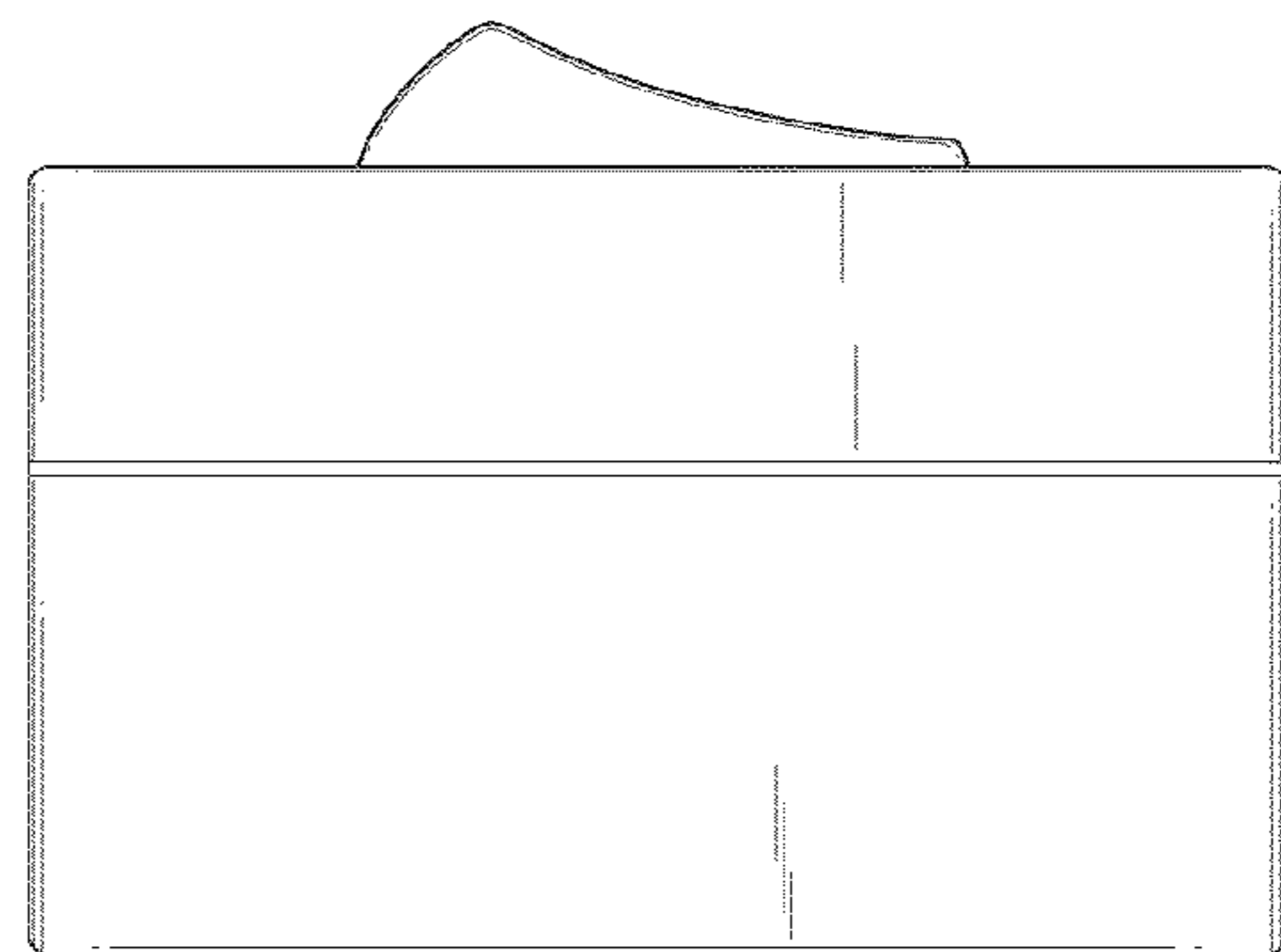
**FIG. 1**



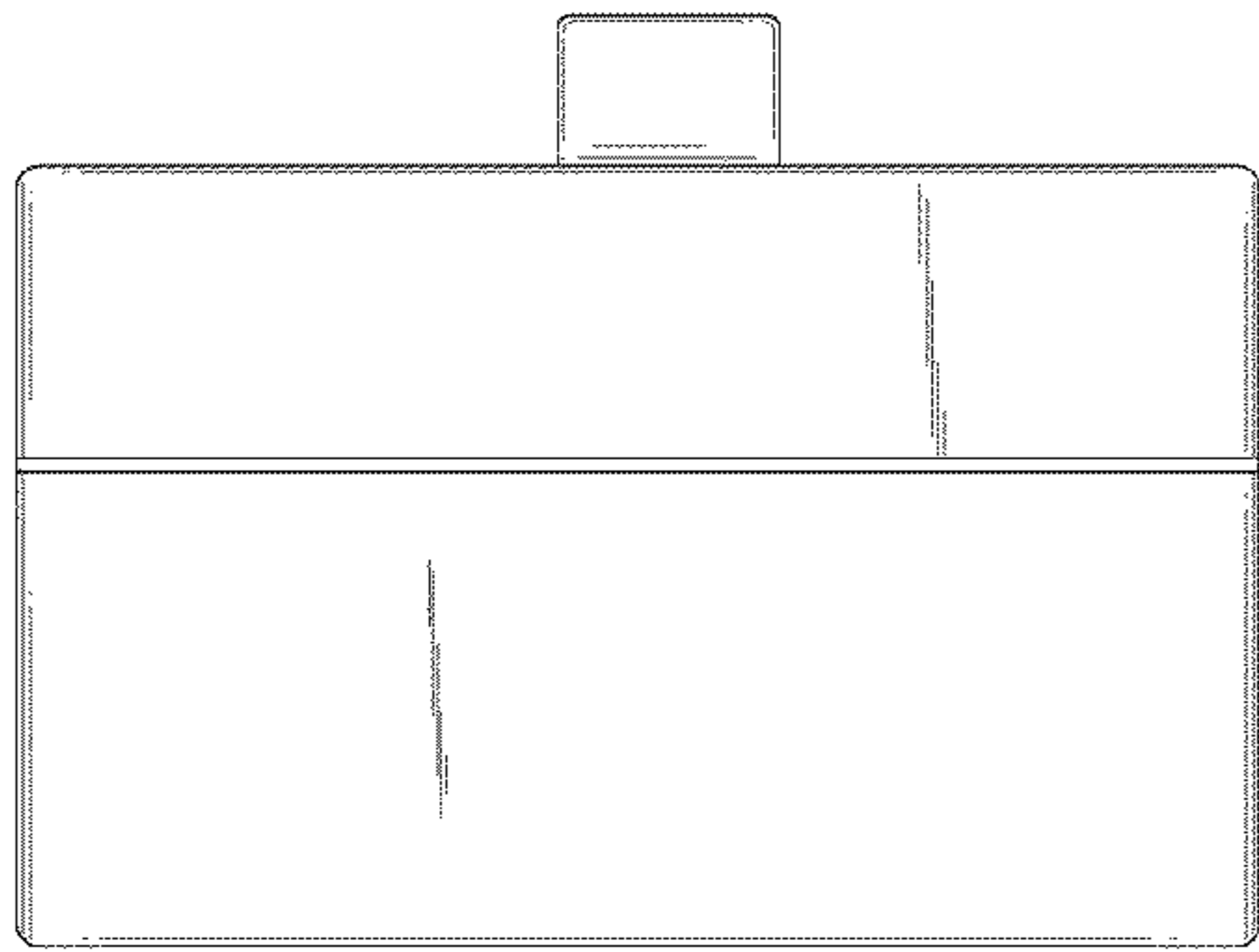
**FIG. 2**



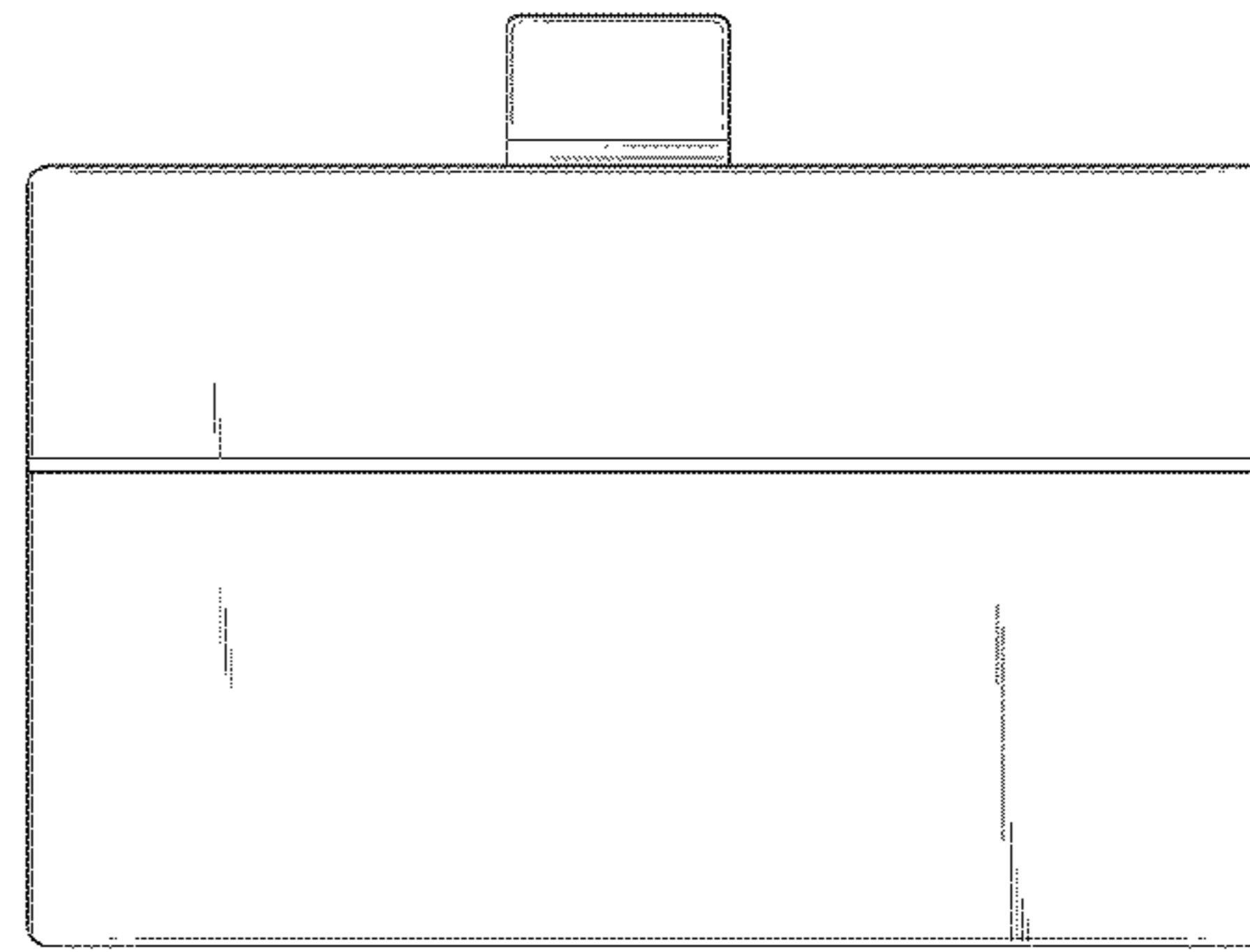
**FIG. 3**



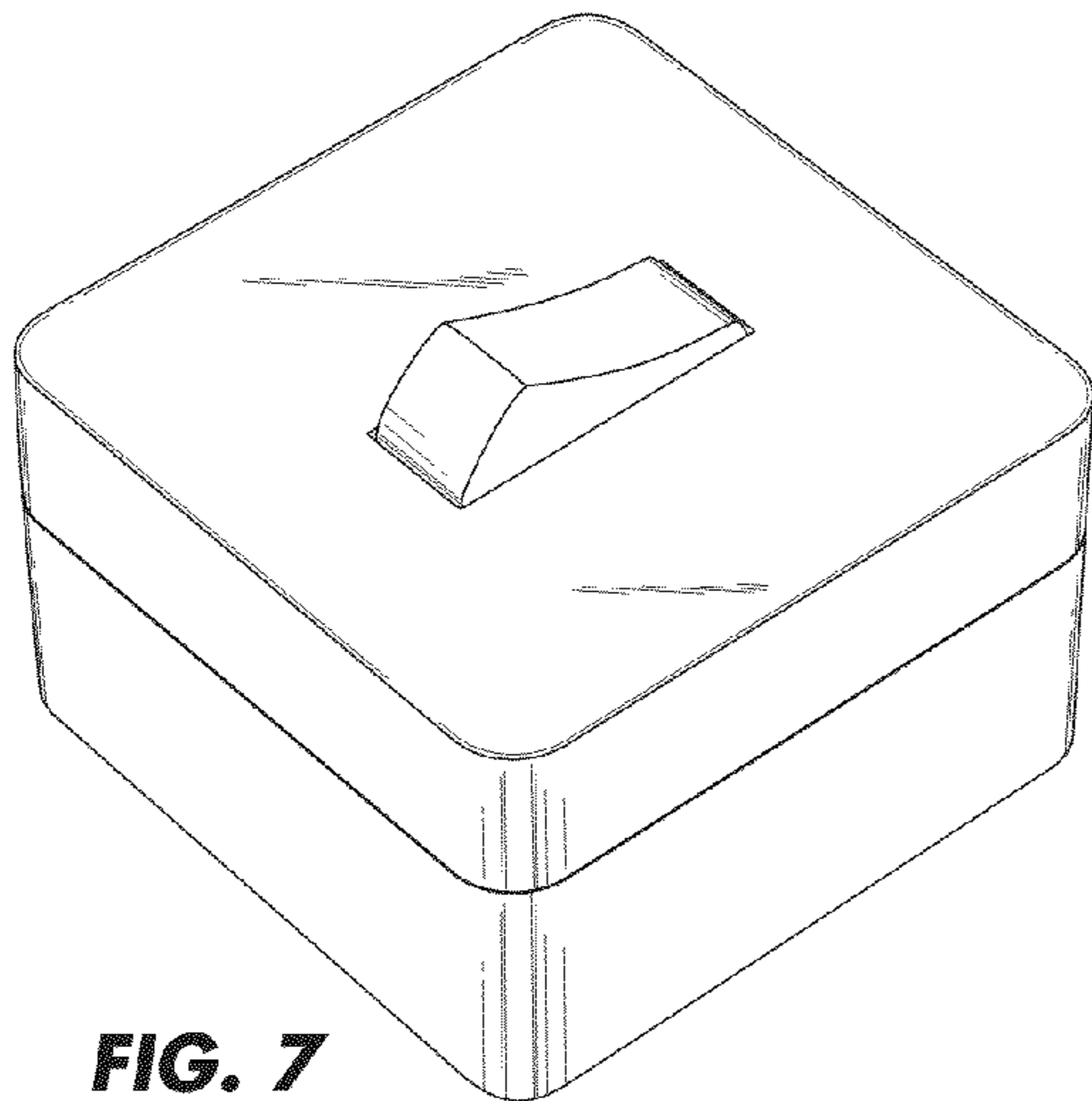
**FIG. 4**



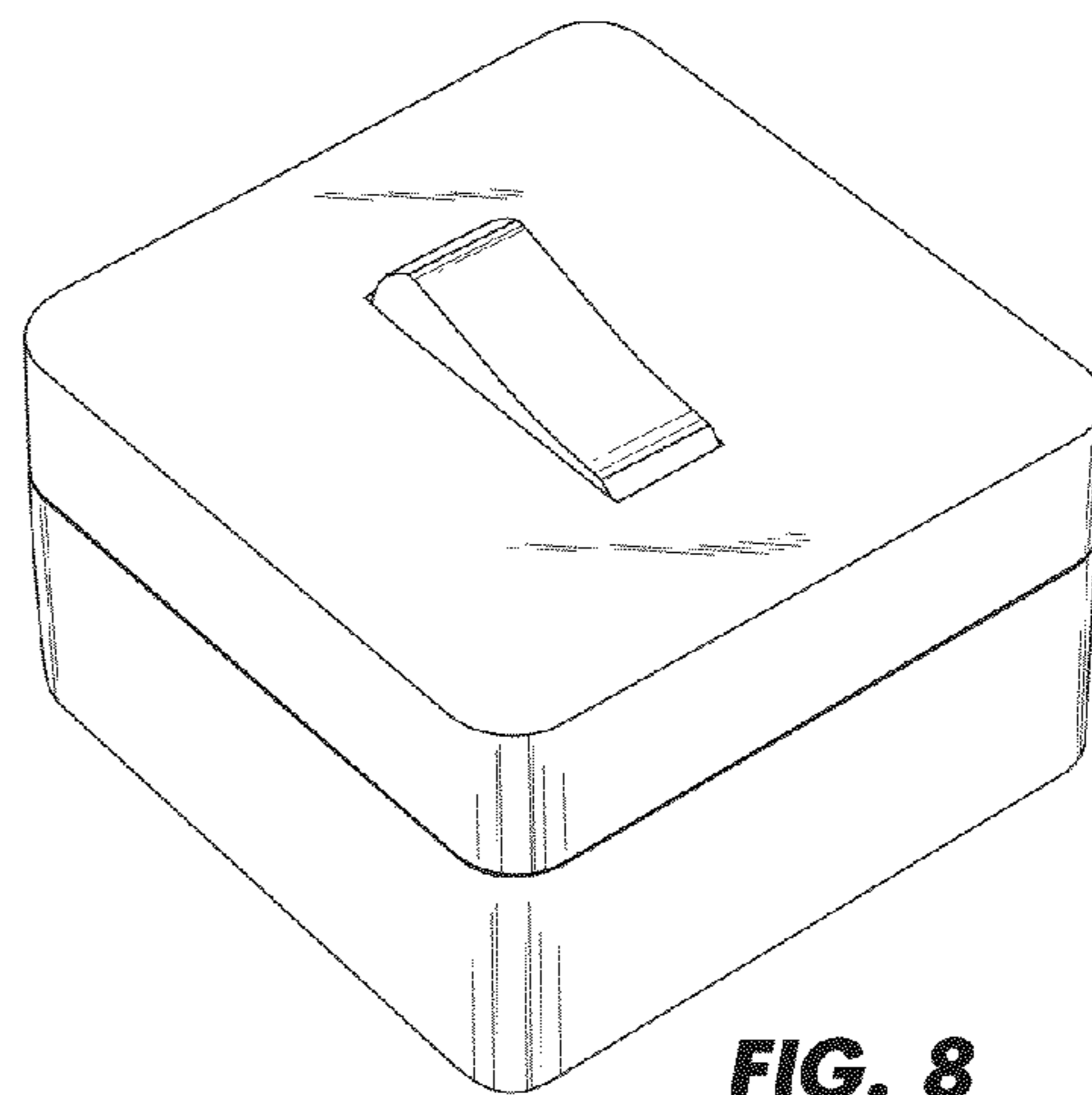
**FIG. 5**



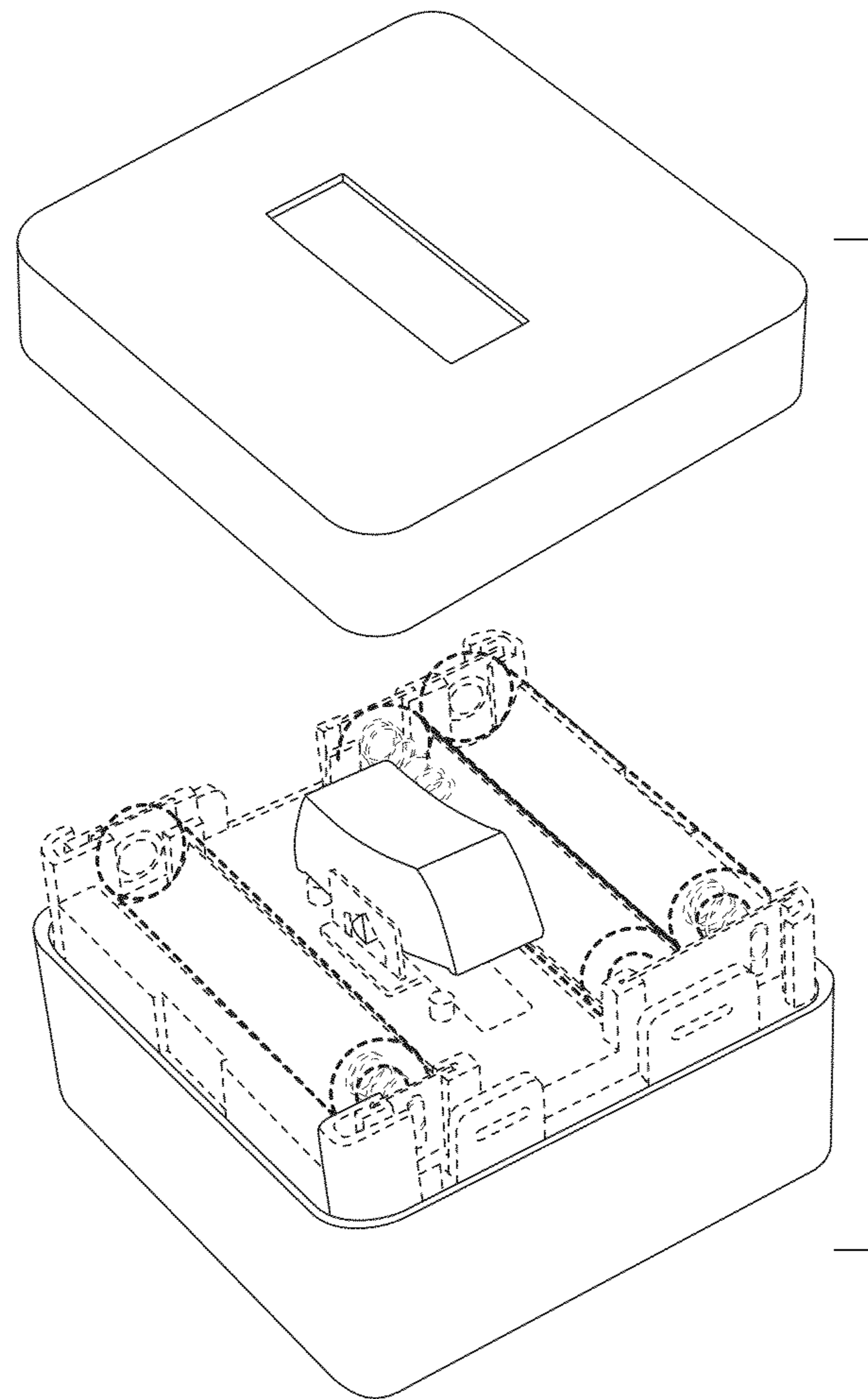
**FIG. 6**



**FIG. 7**



**FIG. 8**



**FIG. 9**