



US00D745987S

(12) **United States Design Patent**  
**Nawaz**

(10) **Patent No.:** **US D745,987 S**  
(45) **Date of Patent:** **\*\* Dec. 22, 2015**

(54) **COMBINATION FLASHLIGHT AND STUN GUN**

(71) Applicant: **Babar Nawaz**, Orlando, FL (US)

(72) Inventor: **Babar Nawaz**, Orlando, FL (US)

(73) Assignee: **JAGUAR IMPORTS, LLC**, Orlando, FL (US)

(\*\*) Term: **14 Years**

(21) Appl. No.: **29/495,684**

(22) Filed: **Jul. 2, 2014**

(51) **LOC (10) Cl.** ..... **26-02**

(52) **U.S. Cl.**  
USPC ..... **D26/38; D26/49; D22/117**

(58) **Field of Classification Search**  
USPC ..... D26/37, 38, 40, 46, 49, 51; 362/158, 362/157, 183, 184, 194–196, 200–208, 362/253; D22/117–120; D28/88–89  
CPC ..... F21V 33/00; F21V 14/025; F21V 21/406; F21Y 2101/02; F21I 17/00; F21I 13/08  
See application file for complete search history.

(56) **References Cited**

**U.S. PATENT DOCUMENTS**

D646,346 S	*	10/2011	Rae	.....	D22/117
D671,249 S	*	11/2012	Sheikh et al.	.....	D26/38
D674,943 S	*	1/2013	Sheikh et al.	.....	D26/38
D690,383 S	*	9/2013	Sheikh et al.	.....	D22/117
D691,691 S	*	10/2013	Sheikh et al.	.....	D22/117
D691,692 S	*	10/2013	Sheikh et al.	.....	D22/117

D695,873 S	*	12/2013	Sheikh et al.	.....	D22/117
D706,897 S	*	6/2014	Sheikh et al.	.....	D22/117
D710,526 S	*	8/2014	Lee	.....	D26/49
D716,984 S	*	11/2014	Inskeep	.....	D26/49
D719,694 S	*	12/2014	Nawaz	.....	D26/38
D724,247 S	*	3/2015	Chouprinov et al.	.....	D26/38

\* cited by examiner

*Primary Examiner* — Ian Simmons

*Assistant Examiner* — Carissa C Fitts

(74) *Attorney, Agent, or Firm* — Matthew G. McKinney, Esq.; Allen, Dyer, Doppelt, Milbrath & Gilchrist, P.A.

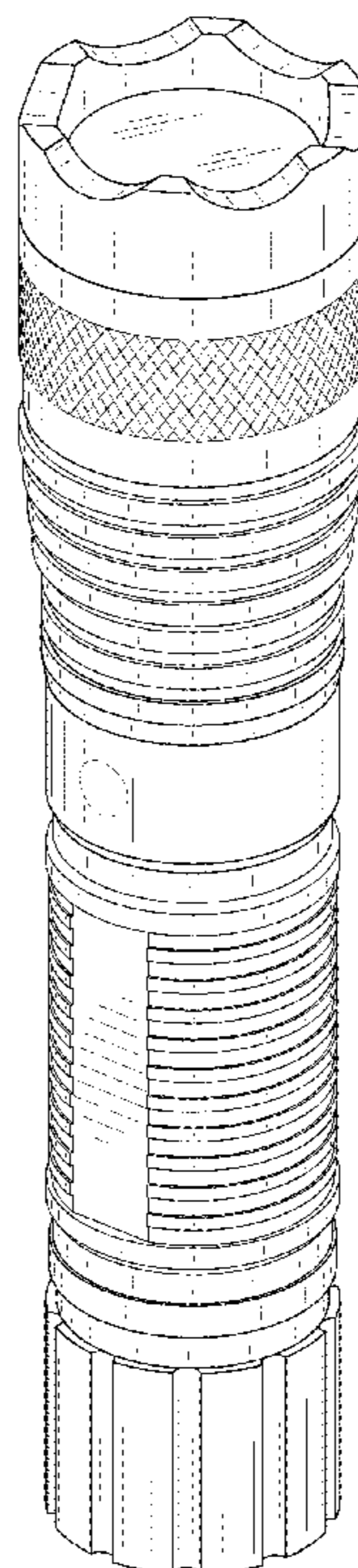
(57) **CLAIM**

The ornamental design for a combination flashlight and stun gun, as shown and described.

**DESCRIPTION**

FIG. 1 is a top perspective view of the combination flashlight and stun gun;  
 FIG. 2 is a bottom perspective view of the combination flashlight and stun gun;  
 FIG. 3 is a top view of the combination flashlight and stun gun;  
 FIG. 4 is a bottom view of the combination flashlight and stun gun; and  
 FIG. 5 is a right side elevational view of the combination flashlight and stun gun; and,  
 FIG. 6 is a left side elevational view of the combination flashlight and stun gun.  
 The broken line showing represents portions of the article not claimed and forms no part of the claimed design.

**1 Claim, 3 Drawing Sheets**



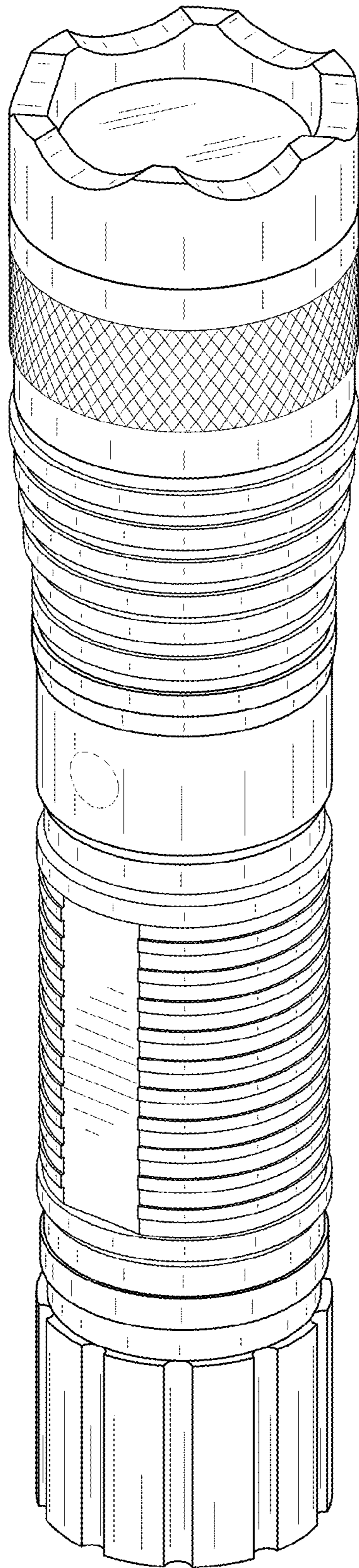


FIG. 1

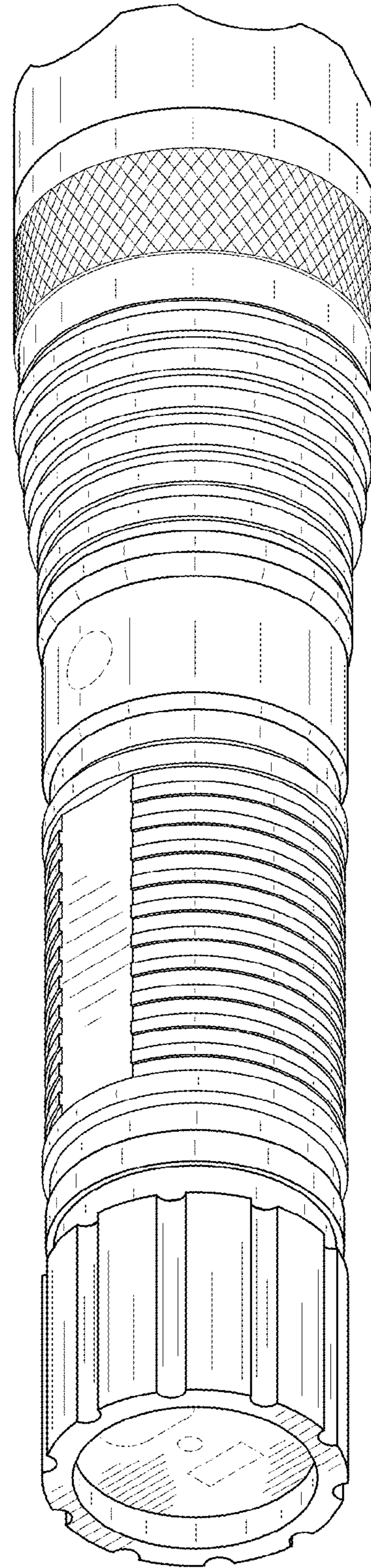


FIG. 2

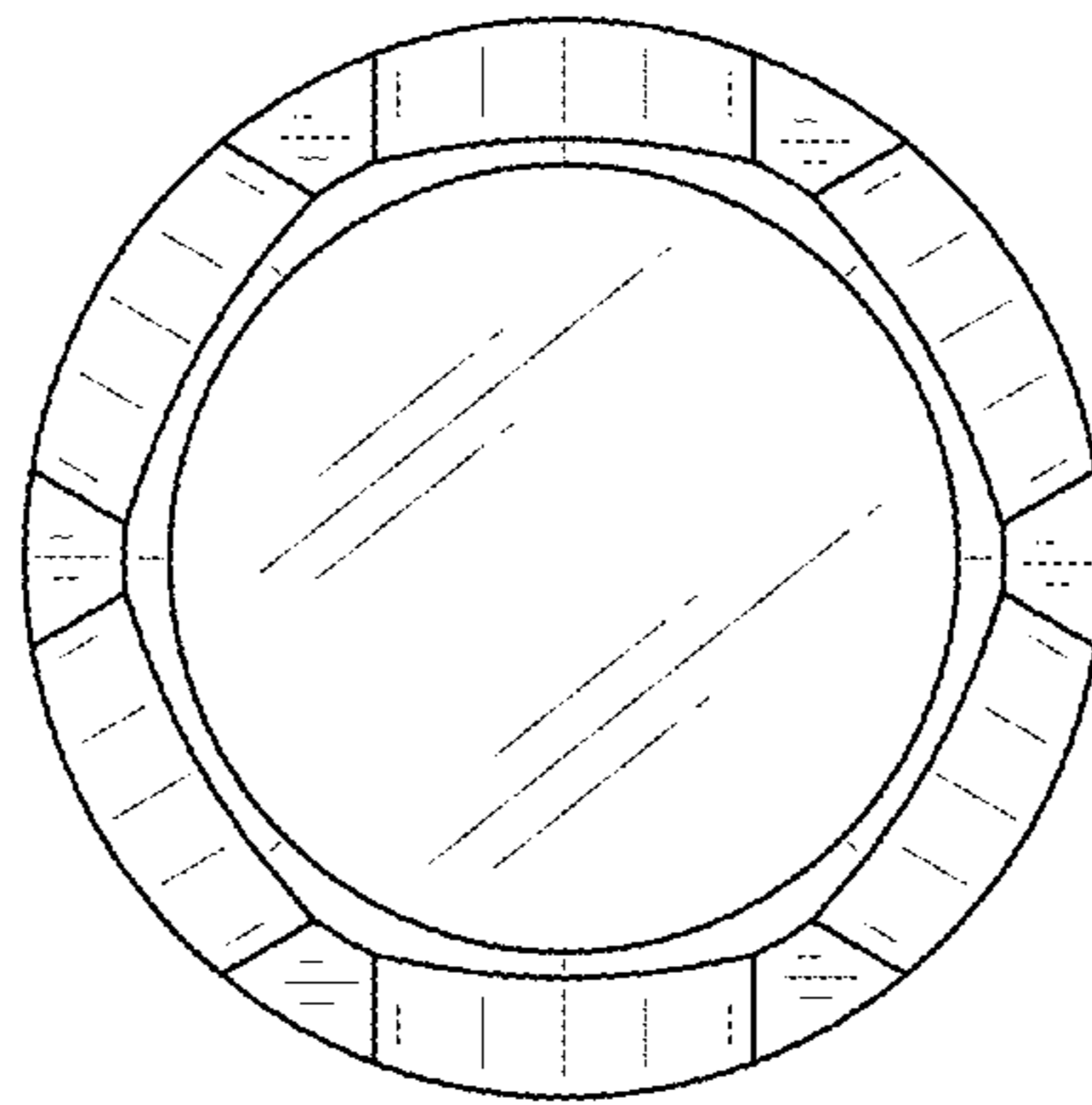


FIG. 3

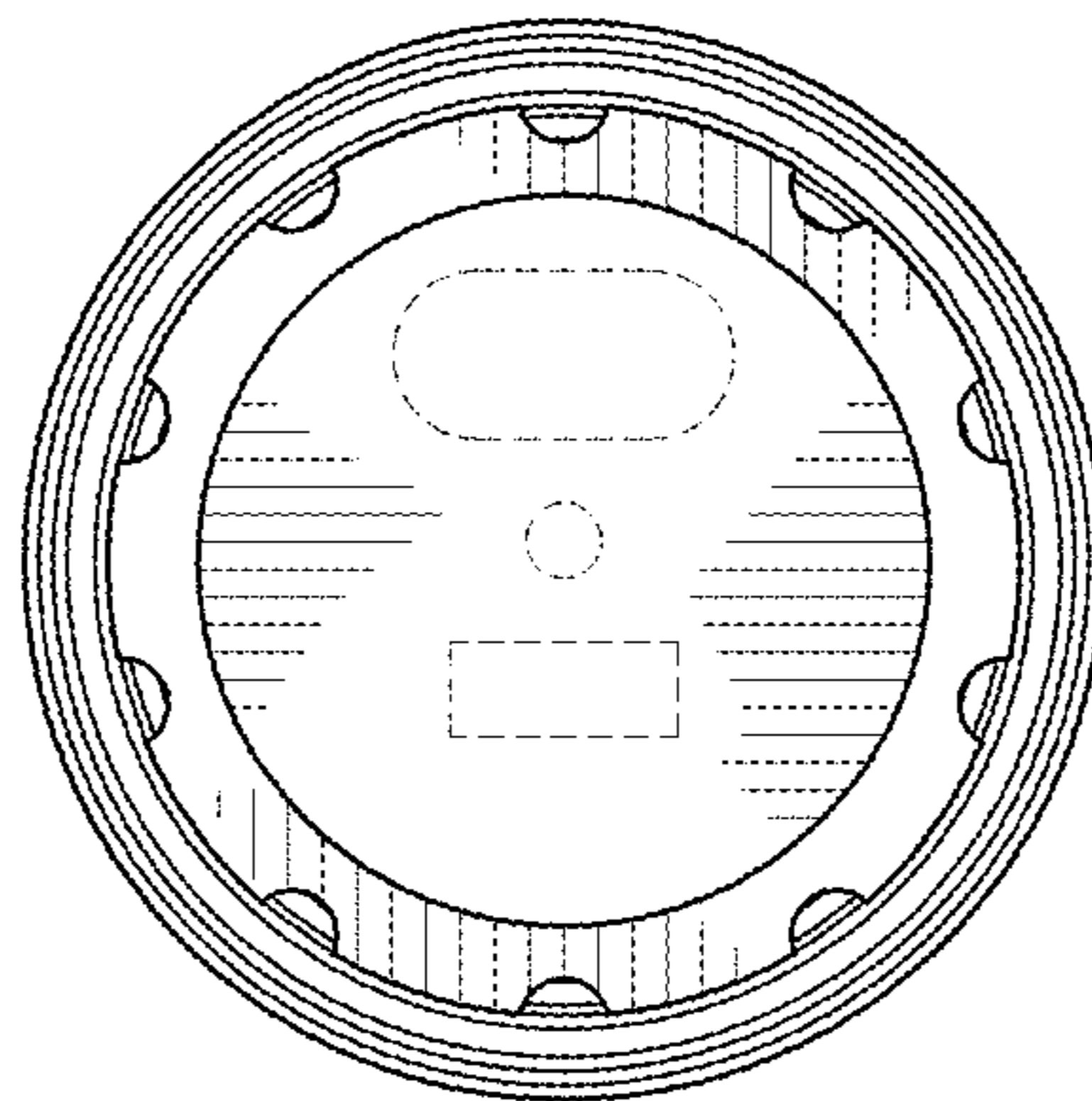


FIG. 4

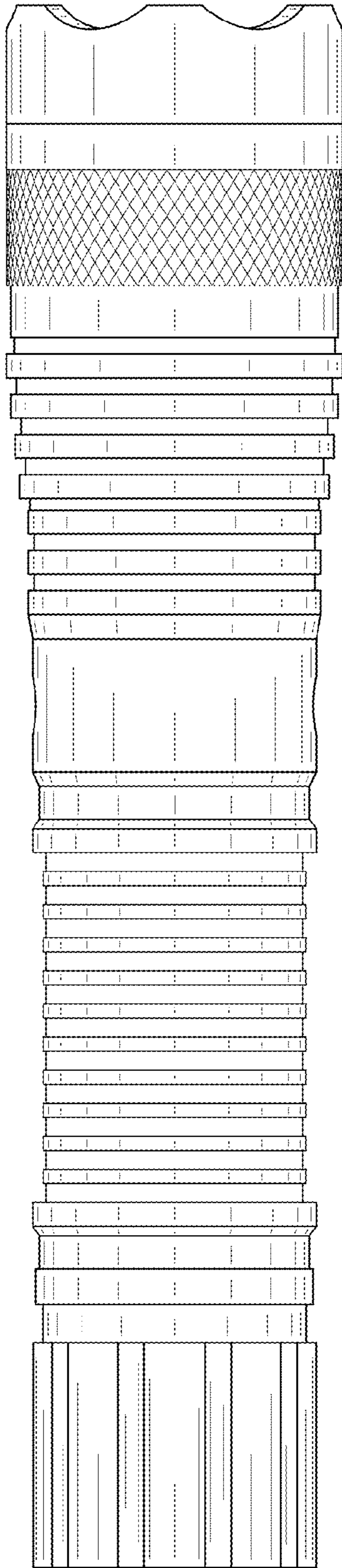


FIG. 5

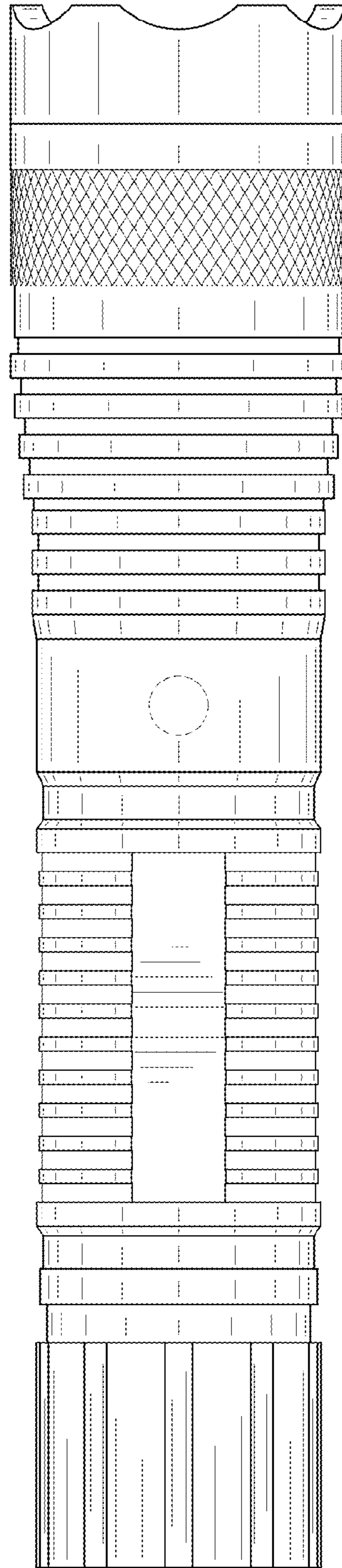


FIG. 6