



US00D745978S

(12) **United States Design Patent**  
**Cohen et al.**

(10) **Patent No.:** **US D745,978 S**

(45) **Date of Patent:** **\*\* Dec. 22, 2015**

(54) **SHADE CONTAINER WITH SHADE MODE AND STORAGE MODE**

(71) Applicant: **OFF THE GRID SERVICES LLC**,  
San Francisco, CA (US)

(72) Inventors: **Matthew Cohen**, San Francisco, CA (US); **Ben Himlan**, San Francisco, CA (US); **Jose Miguel Urrechaga**, Los Vilos (CL); **Jaime Lorca**, Vitacura (CL)

(73) Assignee: **Cubert LLC**, Hayward, CA (US)

(\*\*) Term: **14 Years**

(21) Appl. No.: **29/503,590**

(22) Filed: **Sep. 26, 2014**

(51) **LOC (10) Cl.** ..... **25-03**

(52) **U.S. Cl.**  
USPC ..... **D25/1**

(58) **Field of Classification Search**  
USPC ..... D25/1-35; 52/79.1, 79.4  
See application file for complete search history.

(56) **References Cited**

U.S. PATENT DOCUMENTS

2,787,028	A *	4/1957	Webb	52/198
3,526,067	A *	9/1970	Seghizzi et al.	52/79.1
3,577,672	A *	5/1971	Nutting	446/85
3,643,390	A *	2/1972	Shelley	52/79.2
3,911,634	A *	10/1975	Horowitz et al.	52/79.2
4,295,431	A *	10/1981	Stavlo	108/55.1
4,843,788	A *	7/1989	Gavin et al.	52/205
D575,878	S *	8/2008	Bartlett	D25/33
8,863,445	B2 *	10/2014	Zhong	52/79.14

OTHER PUBLICATIONS

U.S. Appl. No. 29/503,591, by Cohen et al., entitled "Shade Container With Shade Mode and Storage Mode," filed on Sep. 26, 2014.  
U.S. Appl. No. 14/668,912, by Cohen et al., entitled "Modular Shade Systems," filed on Mar. 25, 2015.

\* cited by examiner

*Primary Examiner* — Ian Simmons

*Assistant Examiner* — Samantha Q Lawrence

(74) *Attorney, Agent, or Firm* — Dergosits & Noah LLP

(57) **CLAIM**

The ornamental design for a shade container with shade mode and storage mode, as shown and described.

**DESCRIPTION**

Portions of the present disclosure may contain materials which are subject to copyright or trademark protection. The copyright and trademark owner has no objection to the facsimile reproduction by anyone of the patent document or the patent disclosure, as it appears in the U.S. Patent and Trademark Office patent file or records, but otherwise reserves all copyright and trademark rights whatsoever.

FIG. 1 is a front side elevational view of a shade container with shade mode and storage mode, where the container is in the closed storage-mode position.

FIG. 2 is a back side elevational view thereof.

FIG. 3 is a left side elevational view thereof.

FIG. 4 is a right side elevational view thereof.

FIG. 5 is a top plan view thereof.

FIG. 6 is a bottom plan view thereof.

FIG. 7 is a perspective view of the shade container with shade mode and storage mode, where the container is in the storage-mode position.

FIG. 8 is a perspective view of the shade container with shade mode and storage mode, where the container is in a partially deployed shade-mode position.

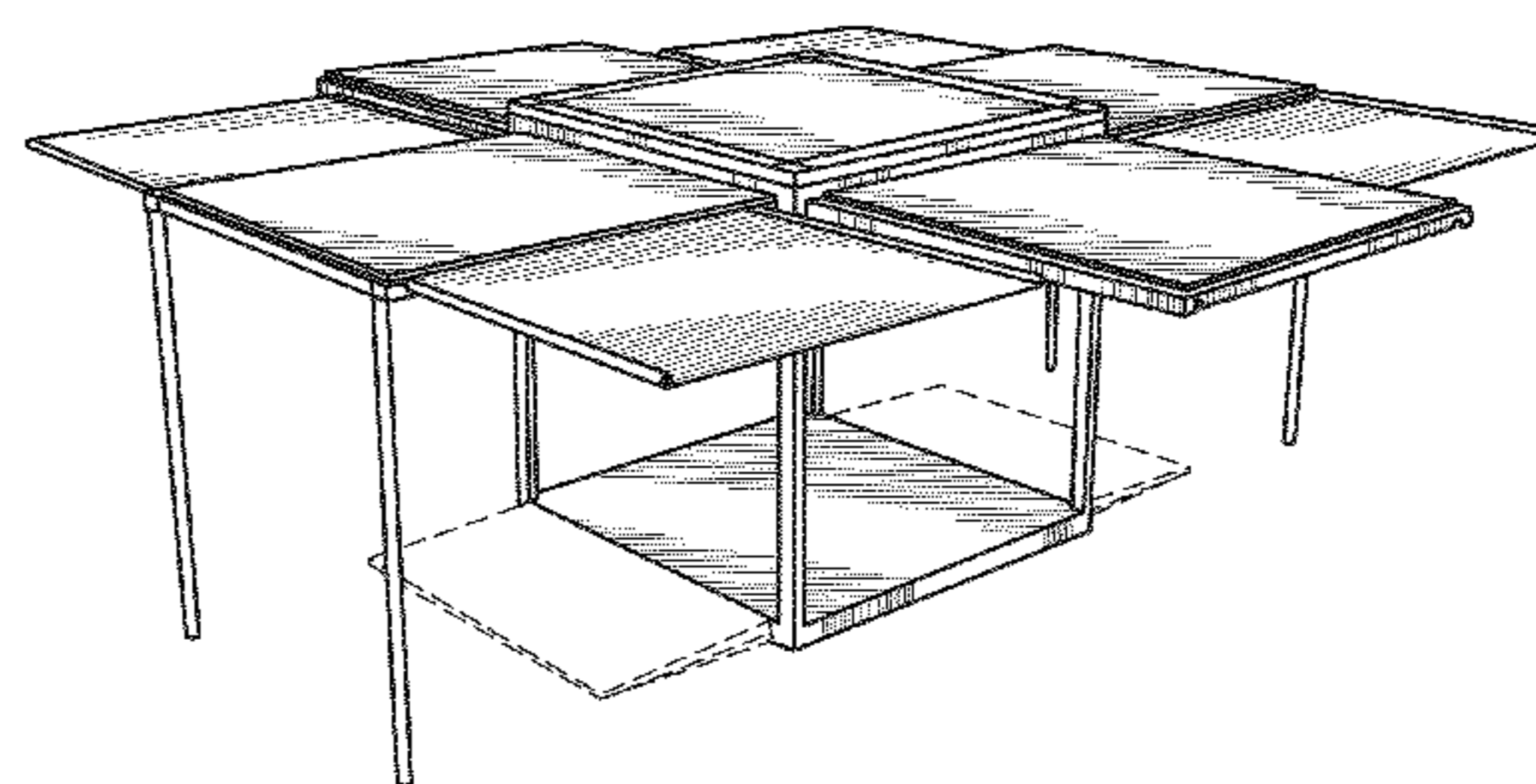
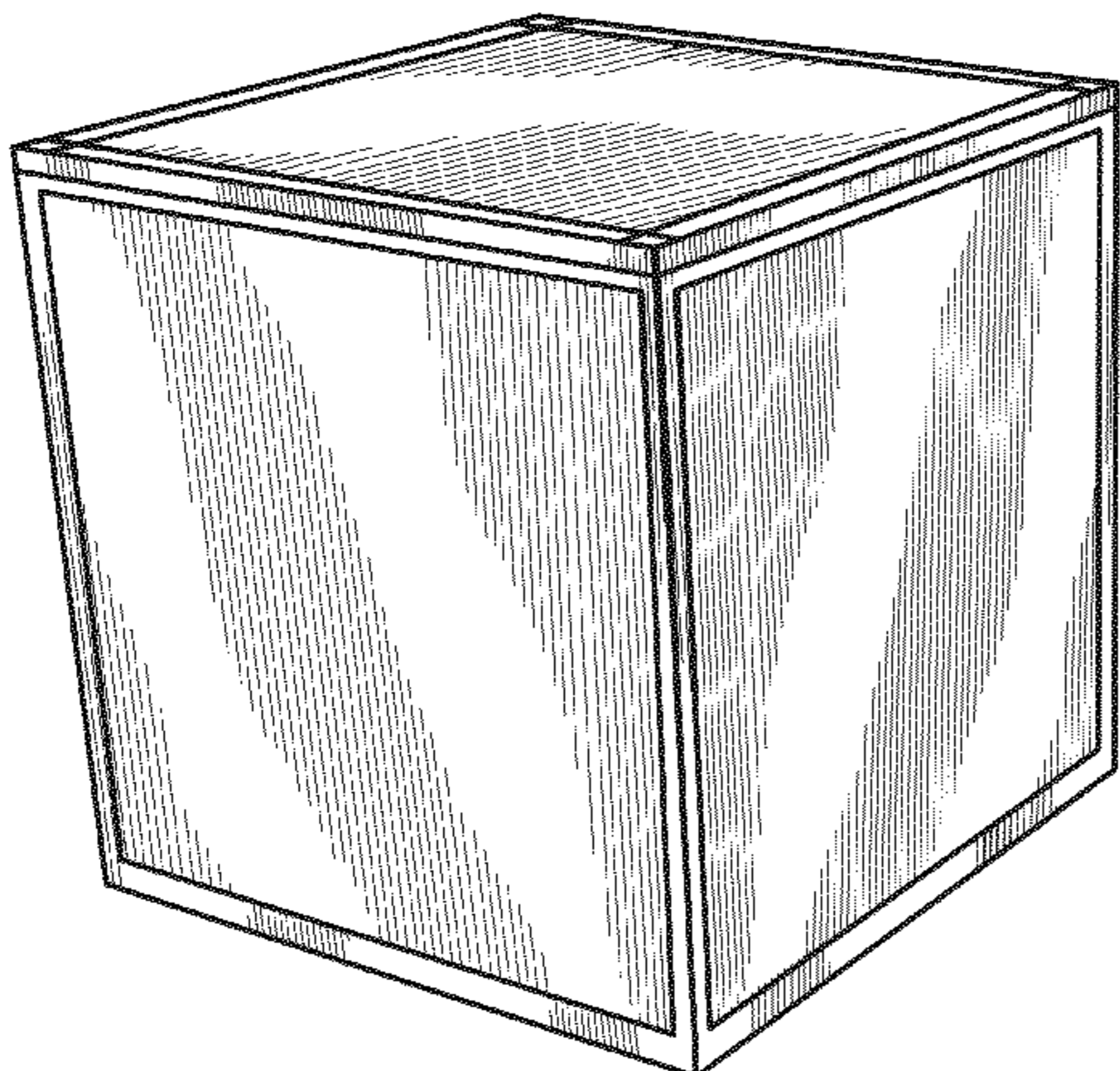
FIG. 9 is a perspective view of the shade container with shade mode and storage mode, where the container is in a partially deployed shade-mode position.

FIG. 10 is a perspective view of the shade container with shade mode and storage mode, where the container is in a fully deployed shade-mode position; and,

FIG. 11 is a perspective view of the shade container with shade mode and storage mode, where the shade container is in a fully deployed shade-mode position.

The broken line features shown in the Figures are for illustrating portions of the shade container that form no part of the claimed design.

**1 Claim, 11 Drawing Sheets**



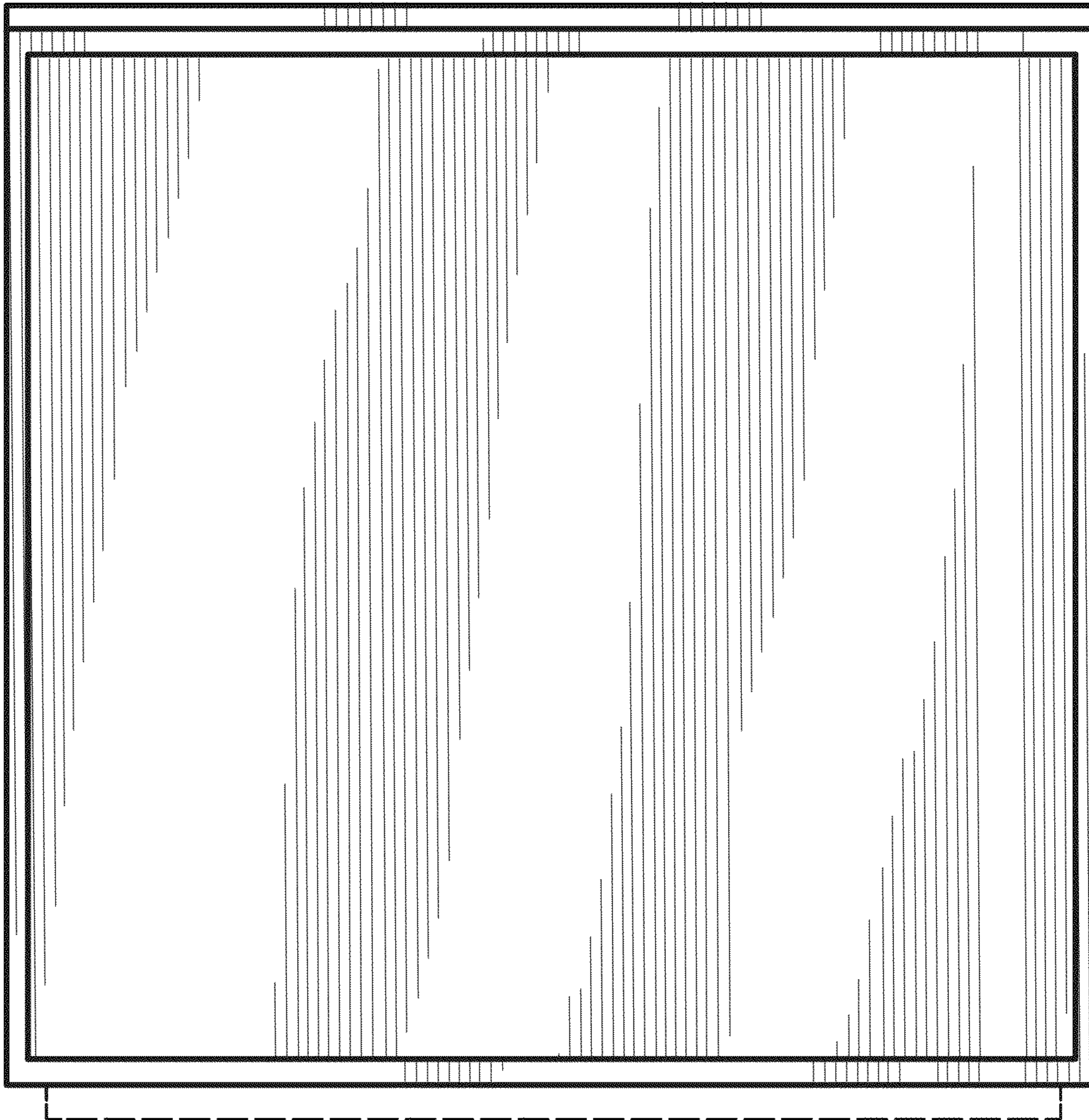


FIG. 1

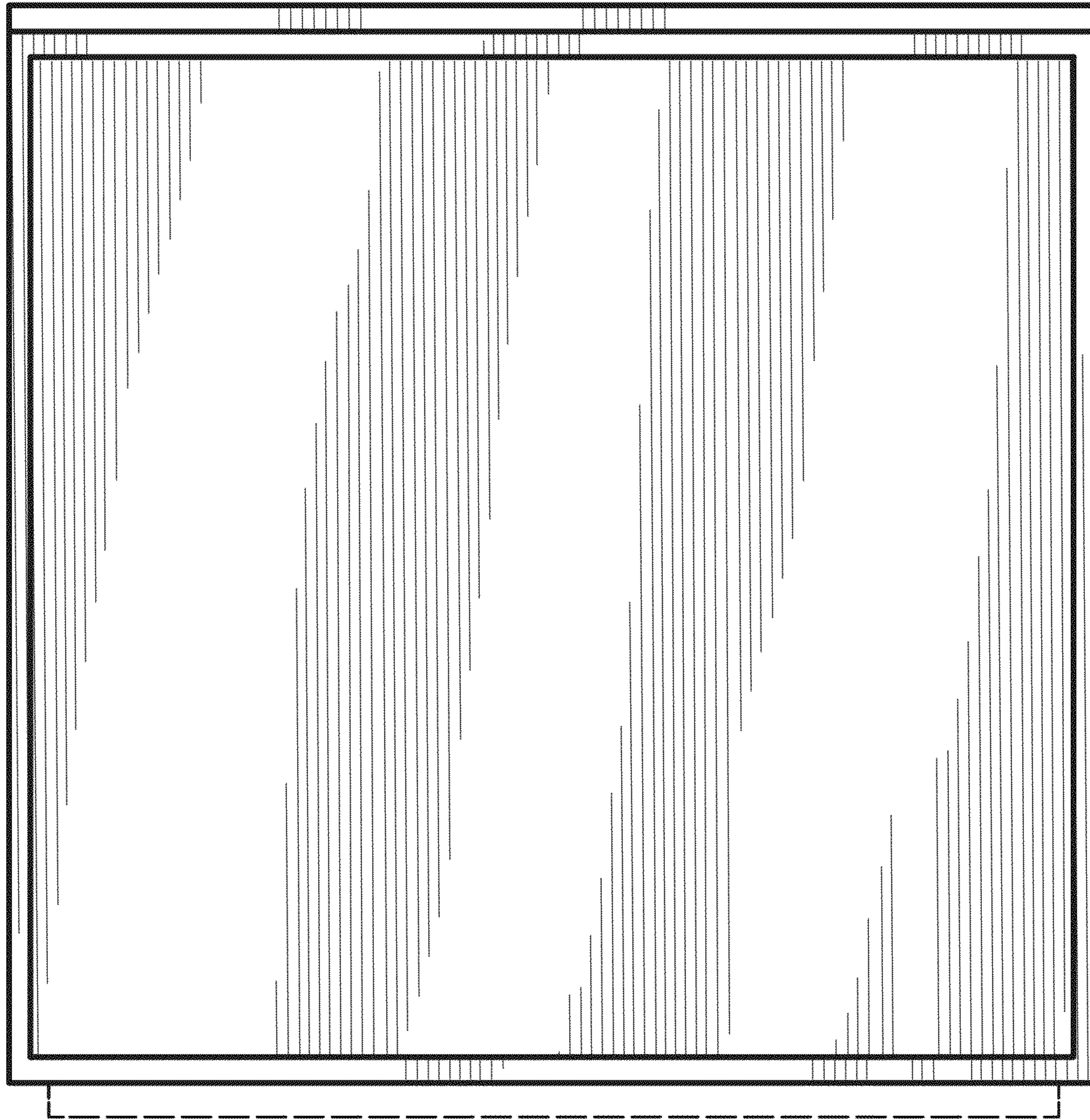


FIG. 2

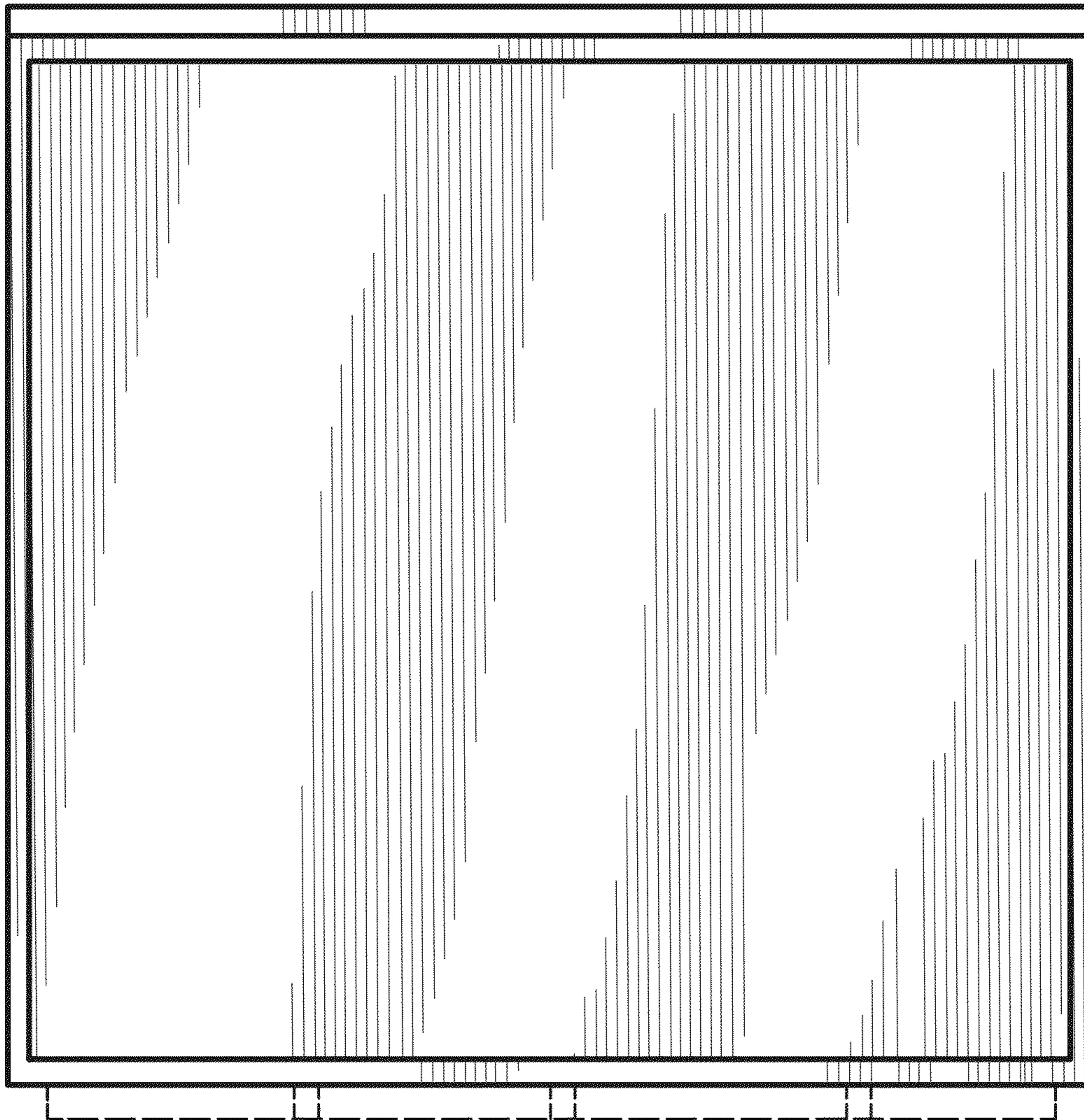


FIG. 3

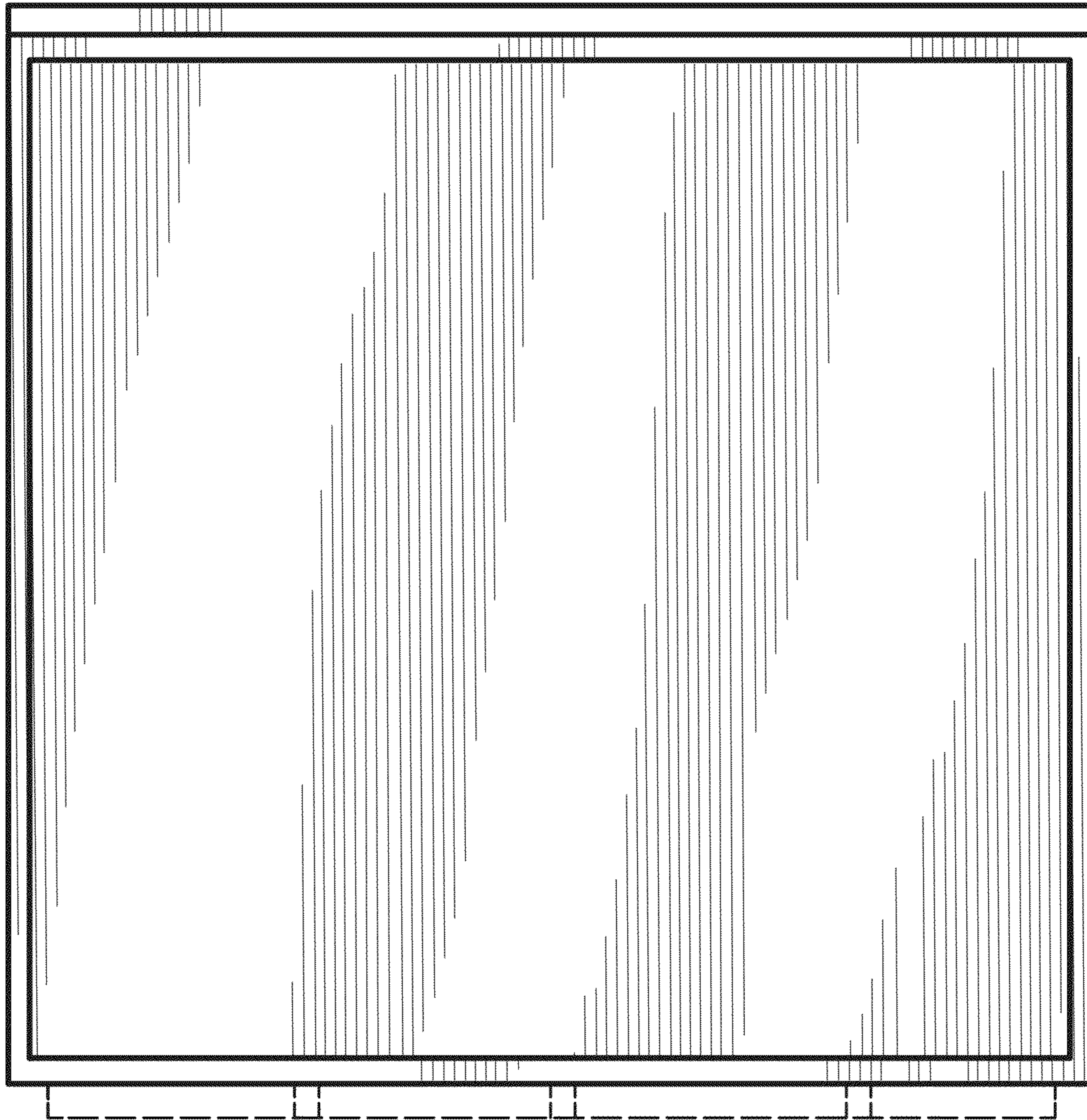


FIG. 4

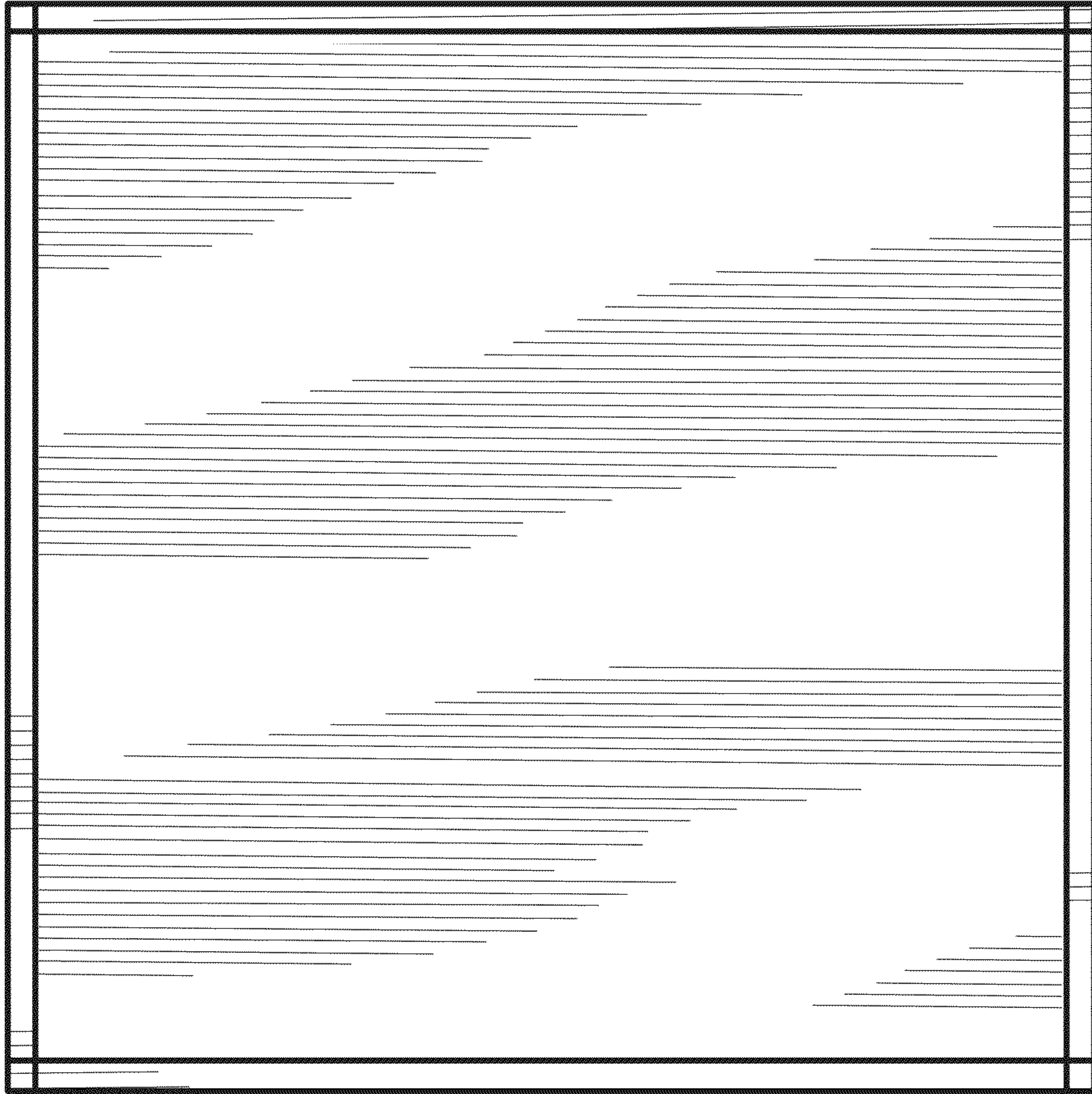


FIG. 5

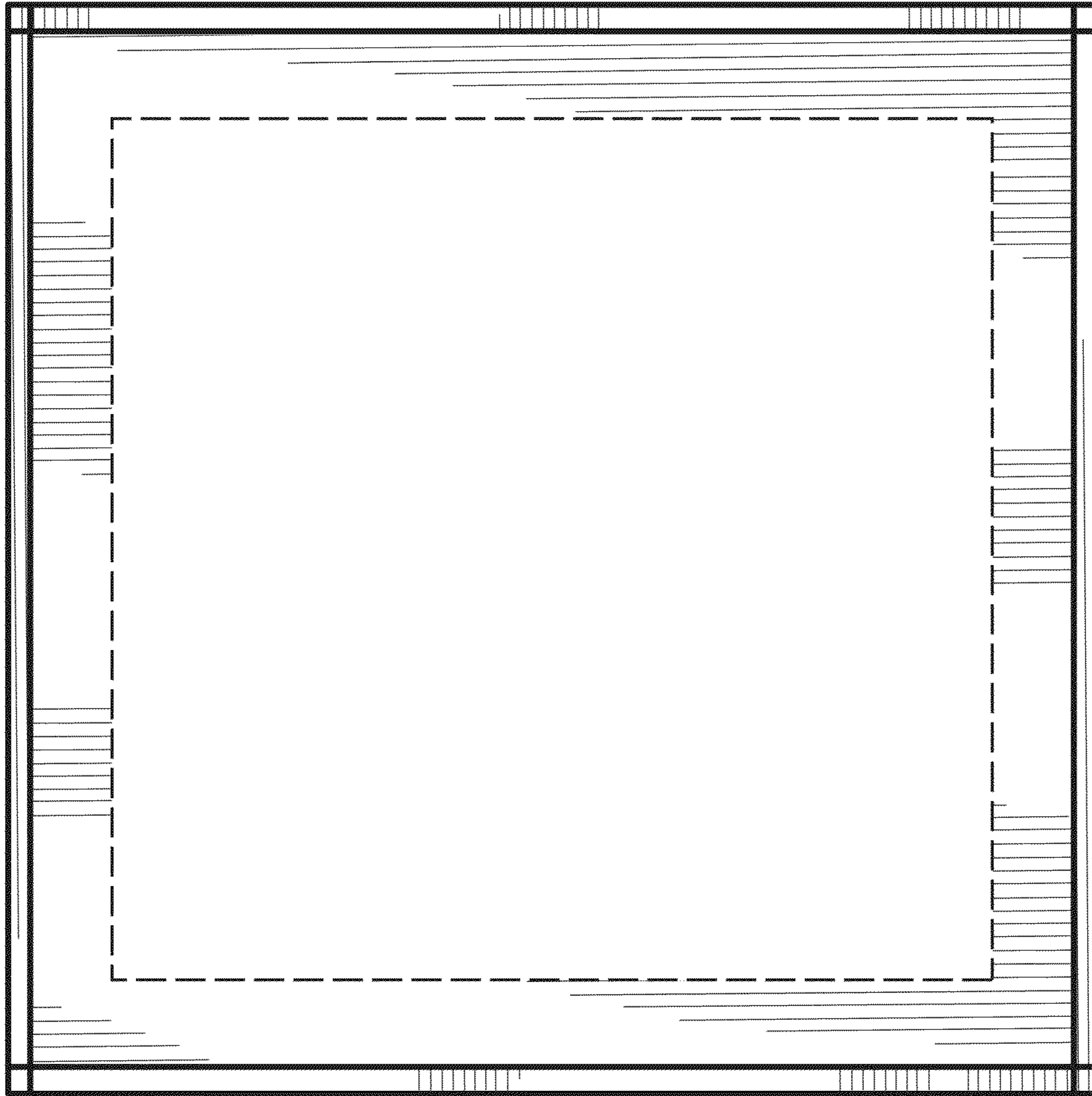


FIG. 6

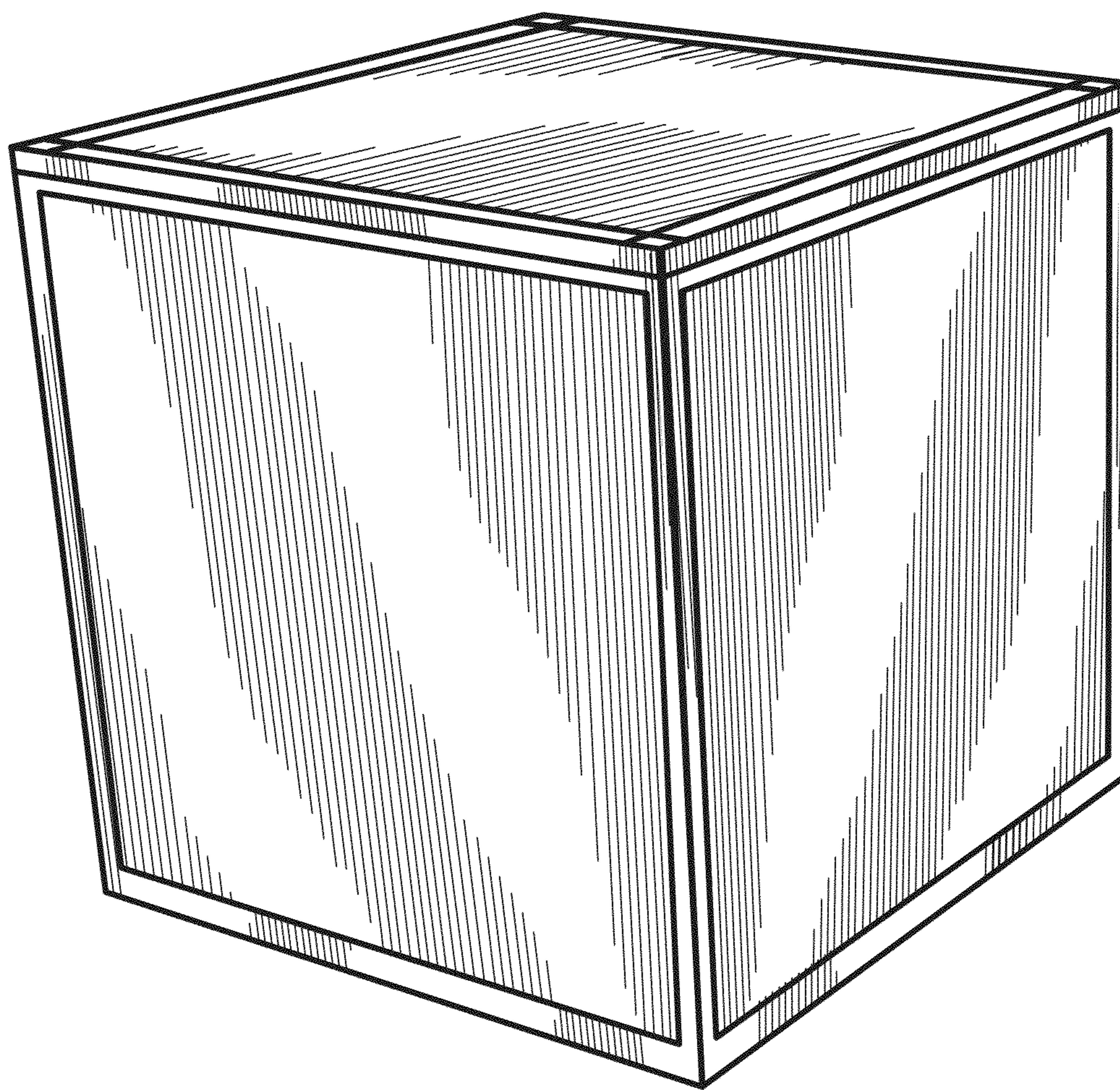


FIG. 7



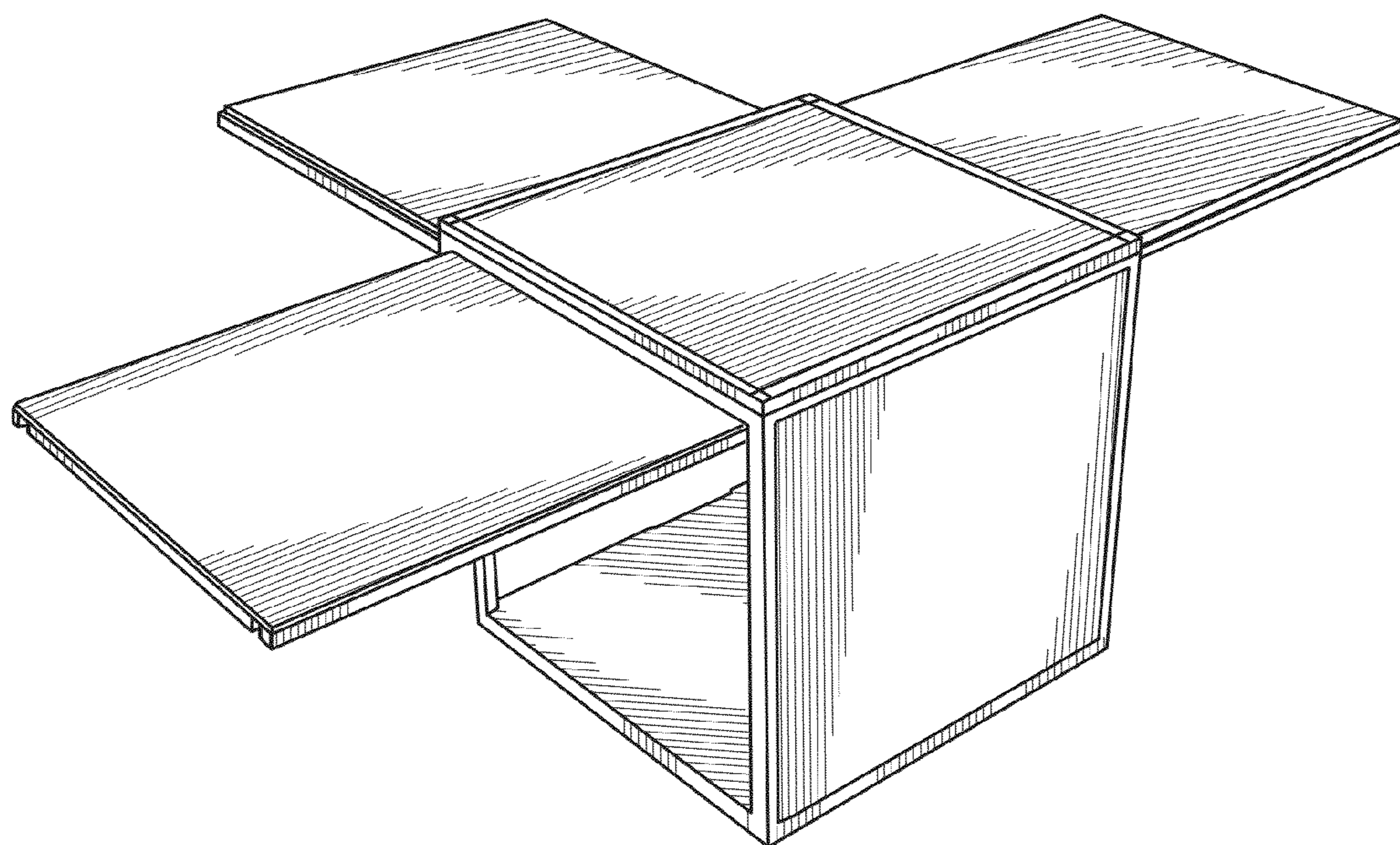


FIG. 8

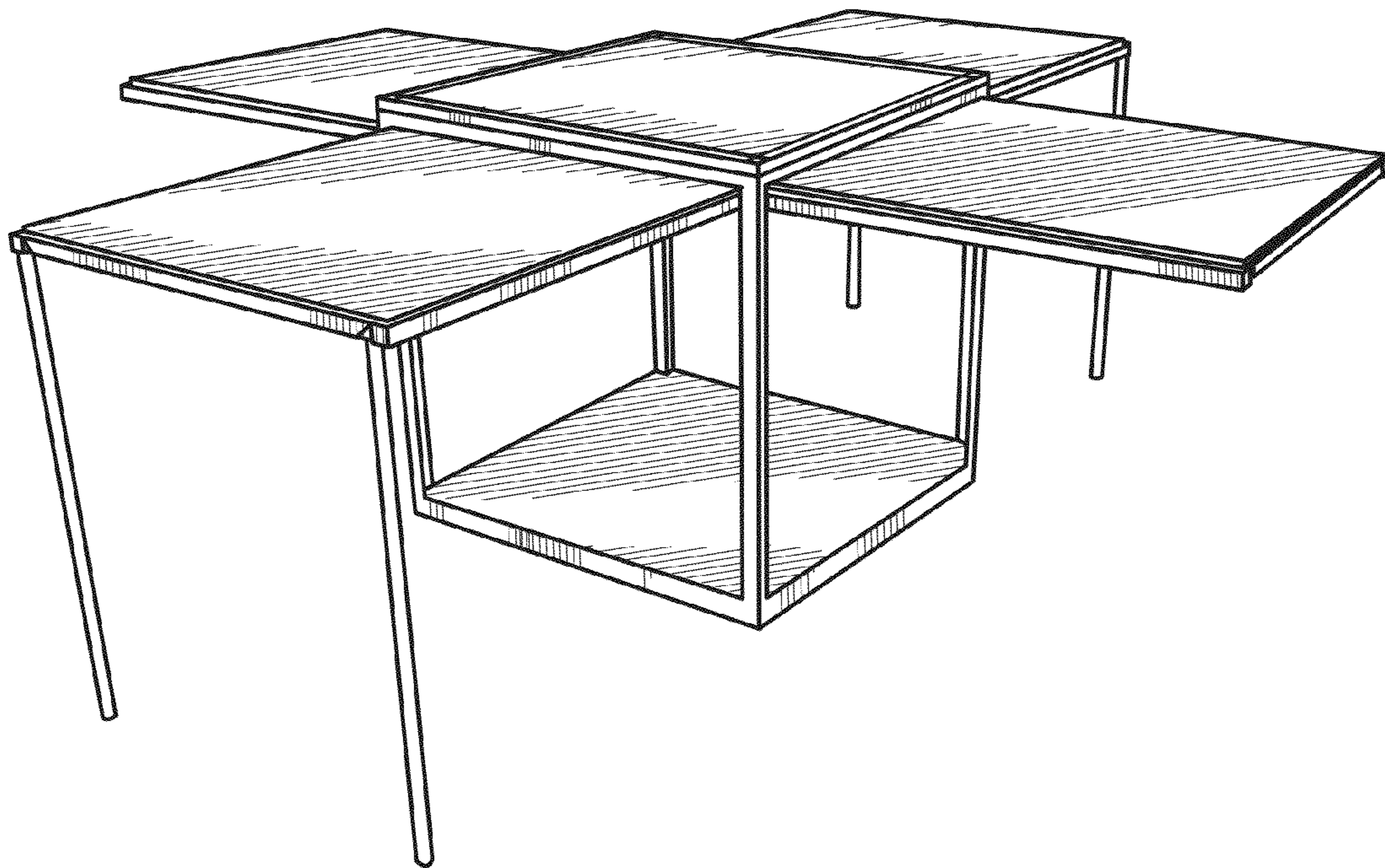


FIG. 9

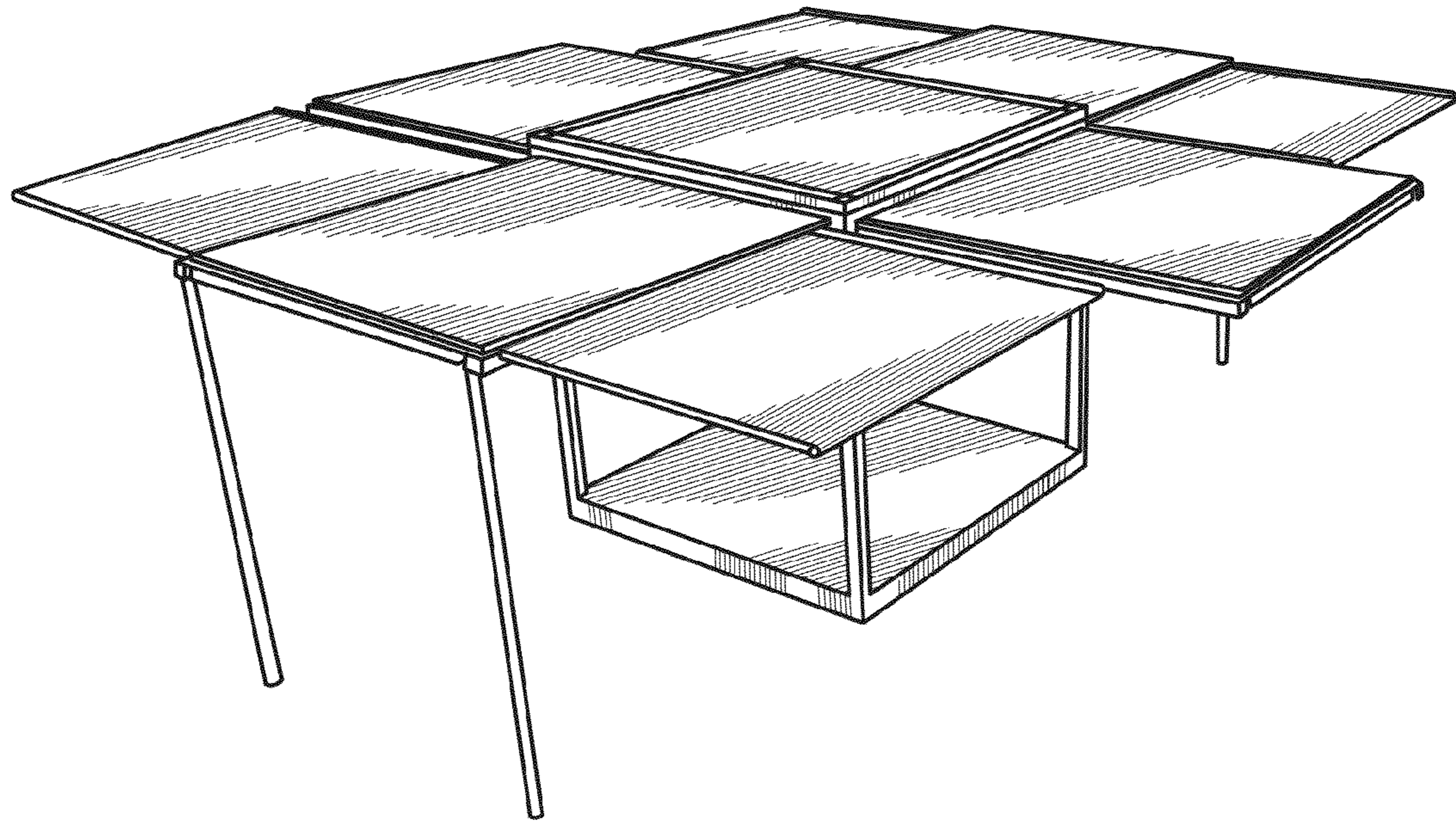


FIG. 10

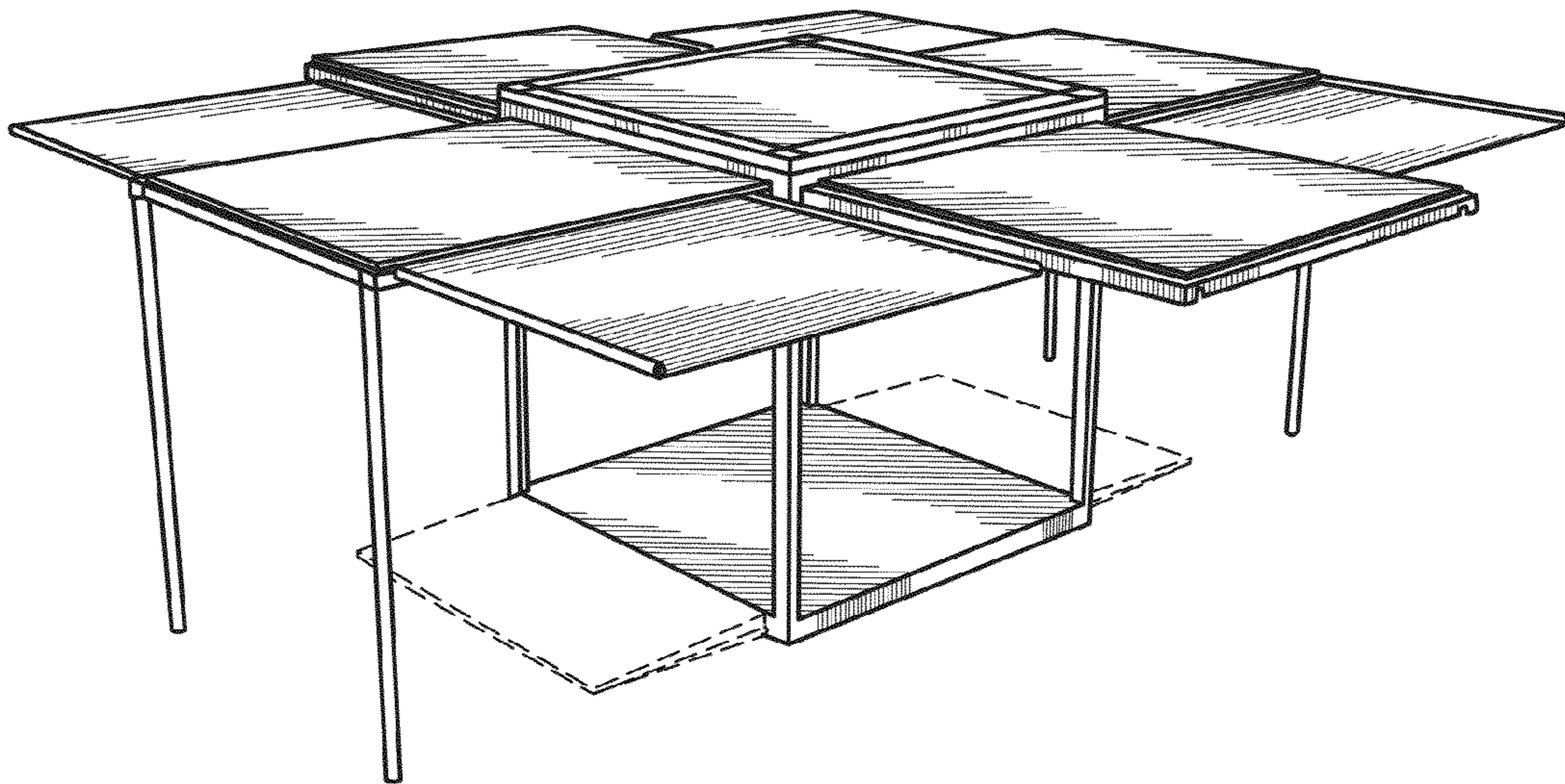


FIG. 11