



US00D745972S

(12) **United States Design Patent**  
**Kitayama**

(10) **Patent No.:** **US D745,972 S**

(45) **Date of Patent:** **\*\* Dec. 22, 2015**

(54) **PROBE FOR AN ULTRASONIC DIAGNOSIS APPARATUS**

(71) Applicants: **Kabushiki Kaisha Toshiba**, Minato-ku, Tokyo (JP); **Toshiba Medical Systems Corporation**, Otawara-shi, Tochigi-ken (JP)

(72) Inventor: **Masahiko Kitayama**, Tokyo (JP)

(73) Assignees: **Kabushiki Kaisha Toshiba**, Minato-ku, Tokyo (JP); **Toshiba Medical Systems Corporation**, Otawara-shi, Tochigi-ken (JP)

(\*\*) Term: **14 Years**

(21) Appl. No.: **29/513,018**

(22) Filed: **Dec. 24, 2014**

(30) **Foreign Application Priority Data**

Jun. 26, 2014 (JP) ..... 2014-013922

(51) **LOC (10) Cl.** ..... **24-01**

(52) **U.S. Cl.**  
USPC ..... **D24/187**

(58) **Field of Classification Search**  
USPC ..... D24/133, 137, 158, 186, 187; D10/78;  
600/407, 446, 439, 461; 378/98.7,  
378/98.8, 189

CPC ..... A61B 8/445; A61B 8/4455; A61B 8/4461  
See application file for complete search history.

(56) **References Cited**

**U.S. PATENT DOCUMENTS**

D389,919 S \* 1/1998 Ninomiya ..... D24/186  
D616,990 S \* 6/2010 Suzuki ..... D24/186  
D634,849 S \* 3/2011 Kanokogi ..... D24/187

D667,557 S \* 9/2012 Boudier ..... D24/186  
D681,824 S \* 5/2013 Shinohara ..... D24/186  
D682,433 S \* 5/2013 Shinohara ..... D24/186  
D703,332 S \* 4/2014 Saeki ..... D24/187  
D705,433 S \* 5/2014 Ran ..... D24/187  
2008/0194960 A1\* 8/2008 Randall ..... A61B 8/4455  
600/459

**FOREIGN PATENT DOCUMENTS**

JP 1128468 12/2001  
JP 1133881 2/2002  
JP 1470968 6/2013  
JP 1488266 1/2014

\* cited by examiner

*Primary Examiner* — Anhdao Doan

(74) *Attorney, Agent, or Firm* — Banner & Witcoff, Ltd.

(57) **CLAIM**

The ornamental design for a probe for an ultrasonic diagnosis apparatus, as shown and described.

**DESCRIPTION**

FIG. 1 is a front, bottom and left side perspective view of a probe for an ultrasonic diagnosis apparatus, showing my new design;

FIG. 2 is a front, top and right side perspective view thereof;

FIG. 3 is a front view thereof;

FIG. 4 is a rear view thereof;

FIG. 5 is a top view thereof;

FIG. 6 is a bottom view thereof;

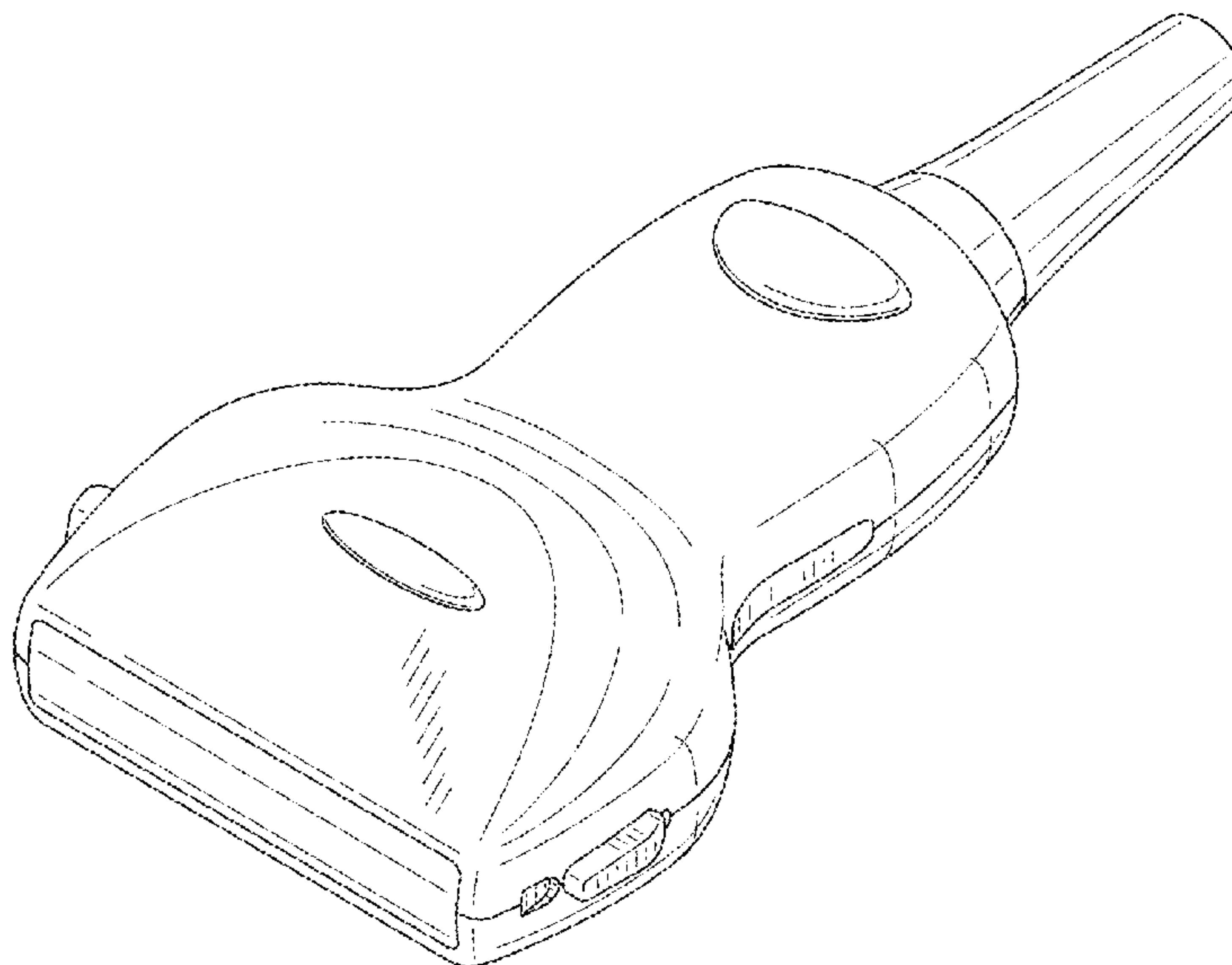
FIG. 7 is a left side view thereof;

FIG. 8 is a right side view thereof; and,

FIG. 9 is a cross sectional view thereof, taken along line 9-9 in FIG. 3 with its internal mechanisms omitted.

The broken lines in FIG. 9 are included for the purpose of illustrating portions of the probe that form no part of the claimed design.

**1 Claim, 7 Drawing Sheets**



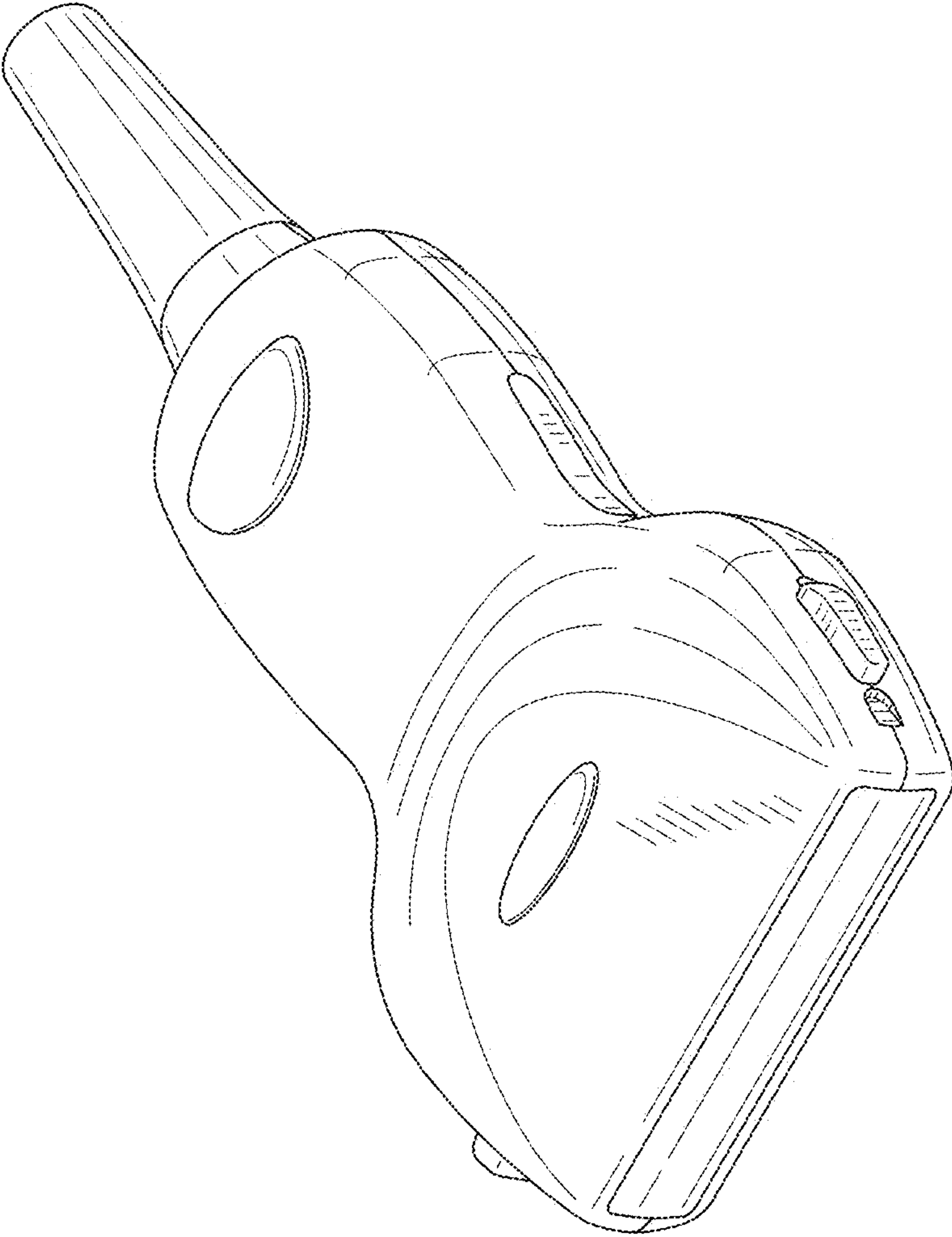


Fig. 1

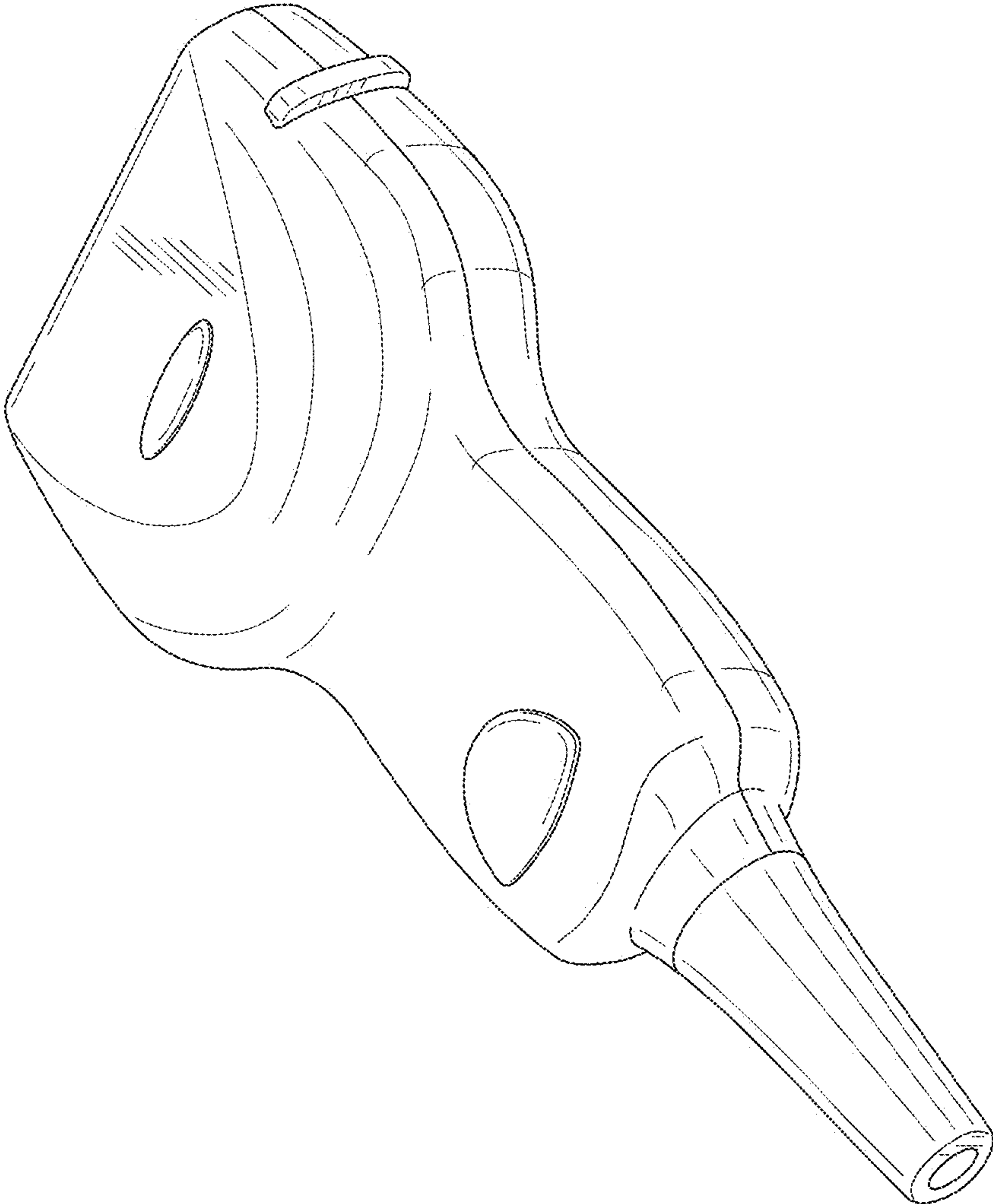


Fig. 2

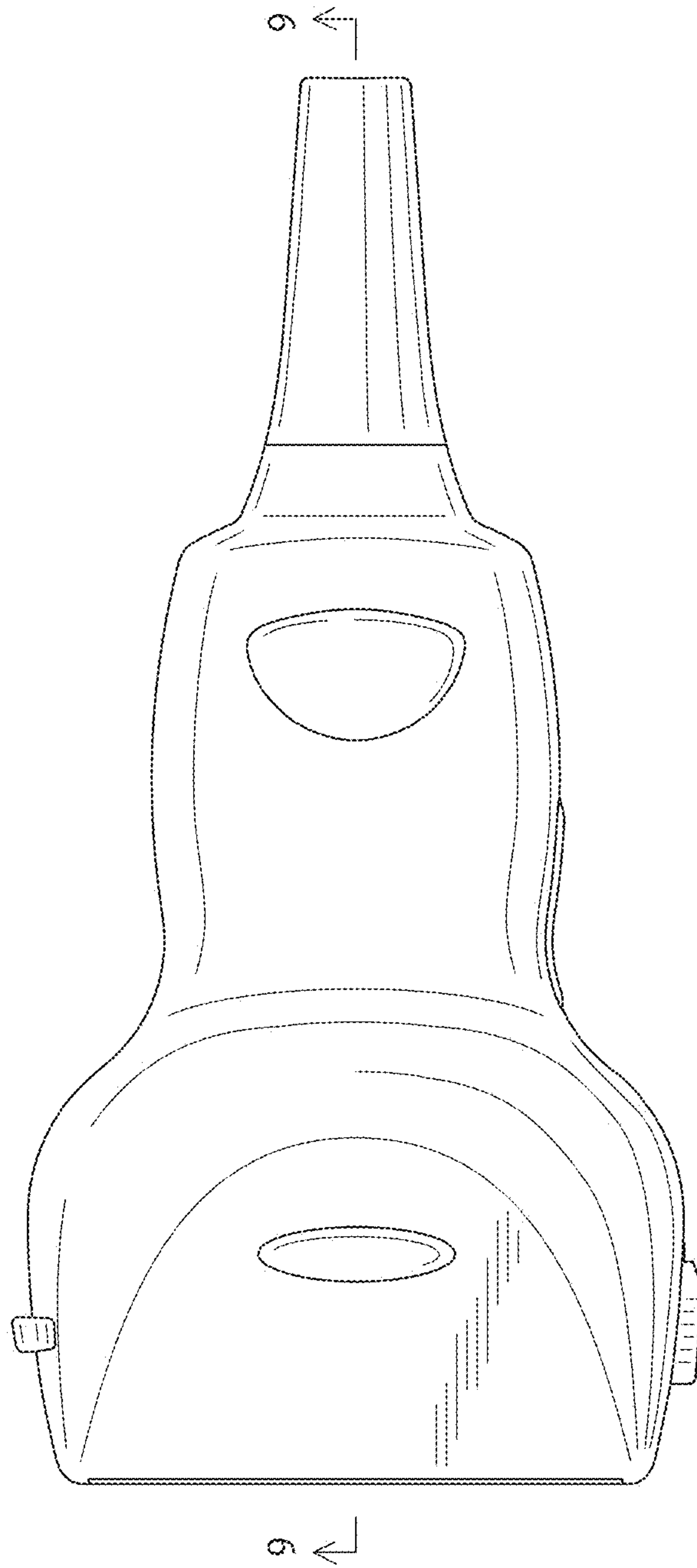


Fig. 3

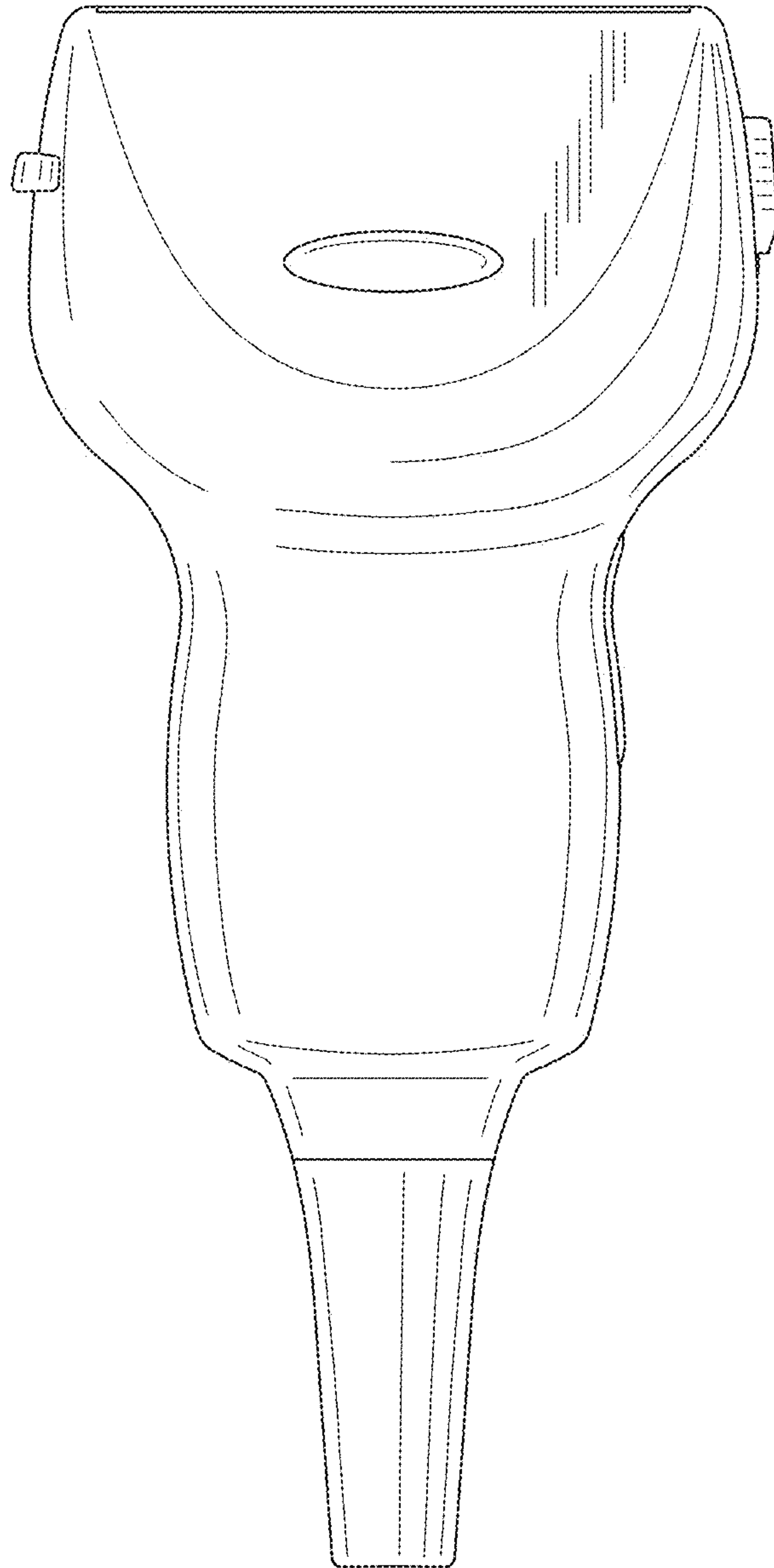
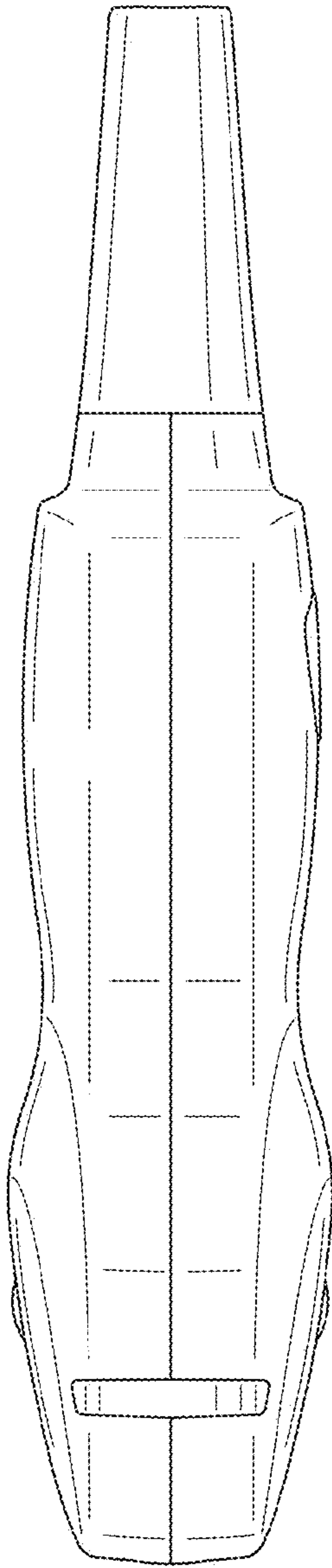
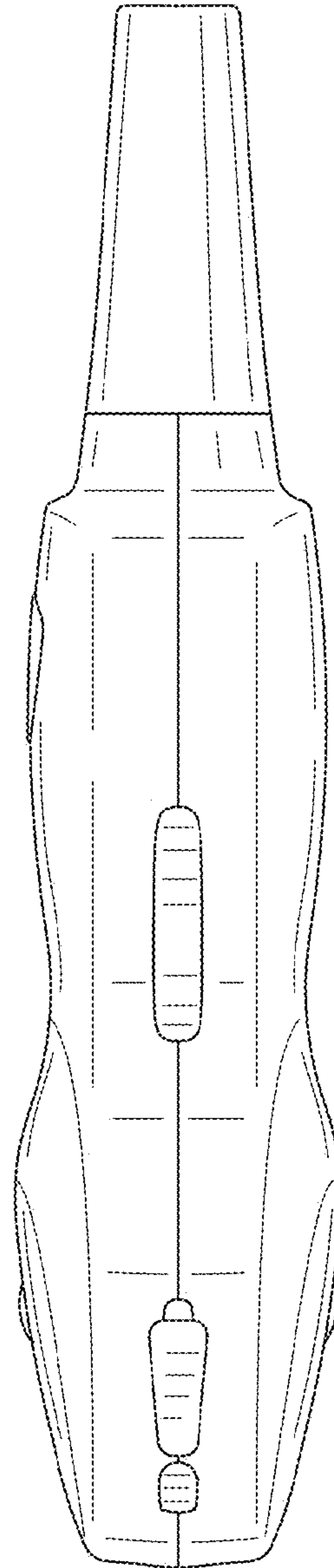


Fig. 4



*Fig. 5*



*Fig. 6*



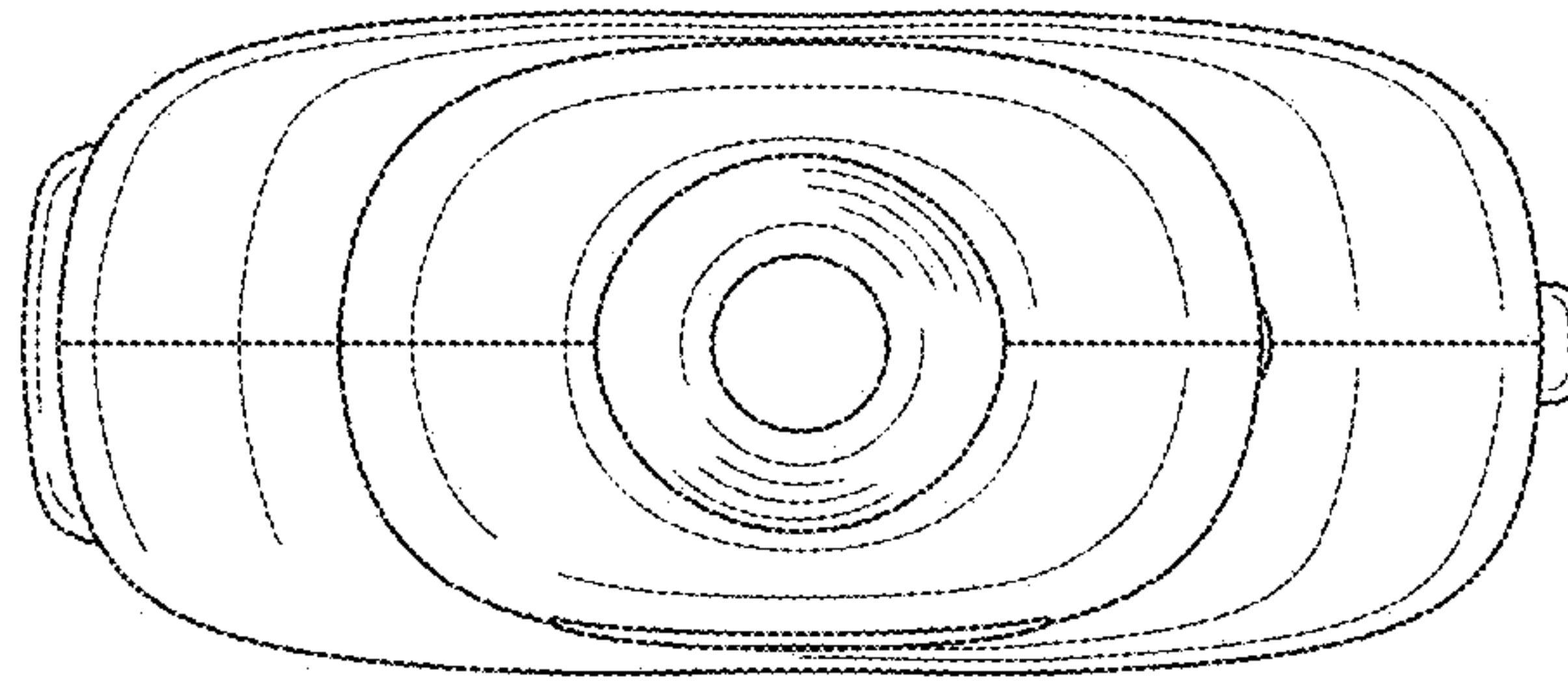


Fig. 8

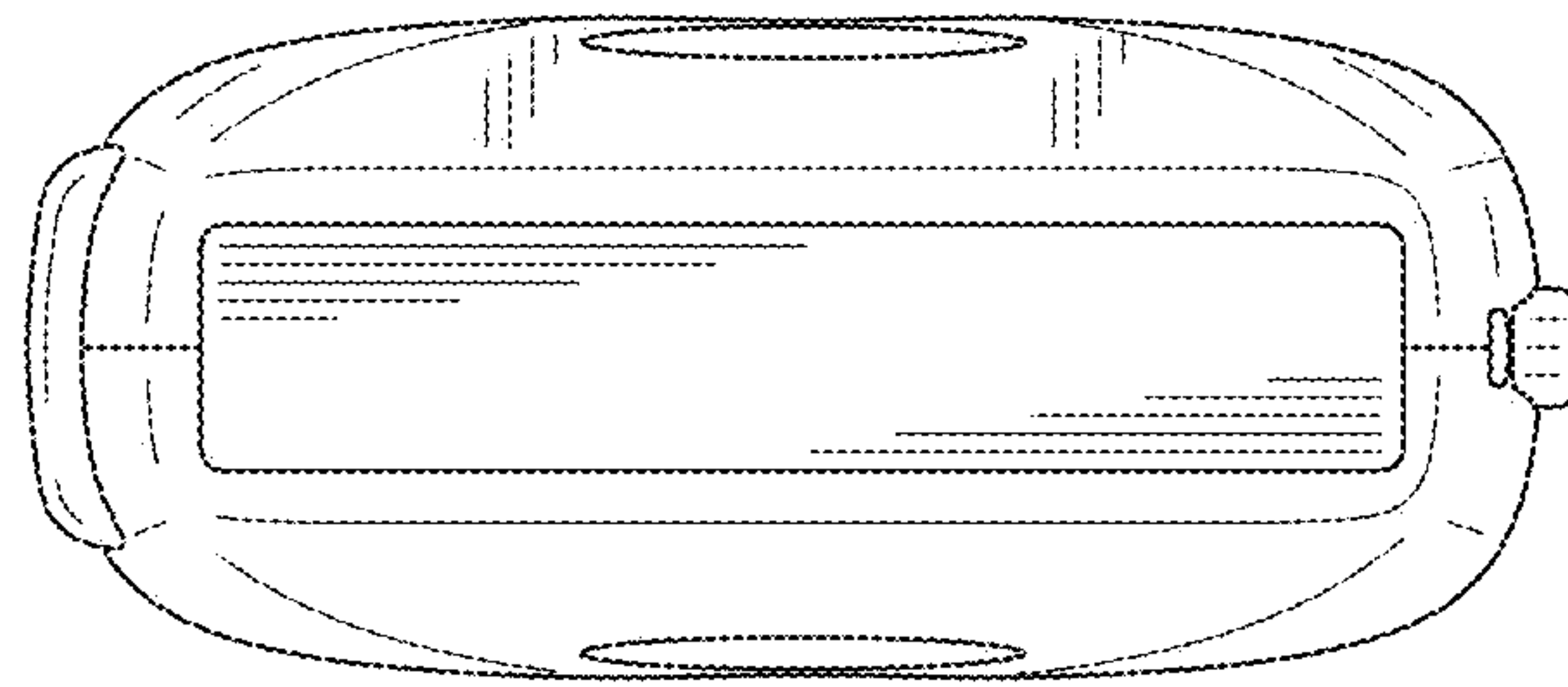
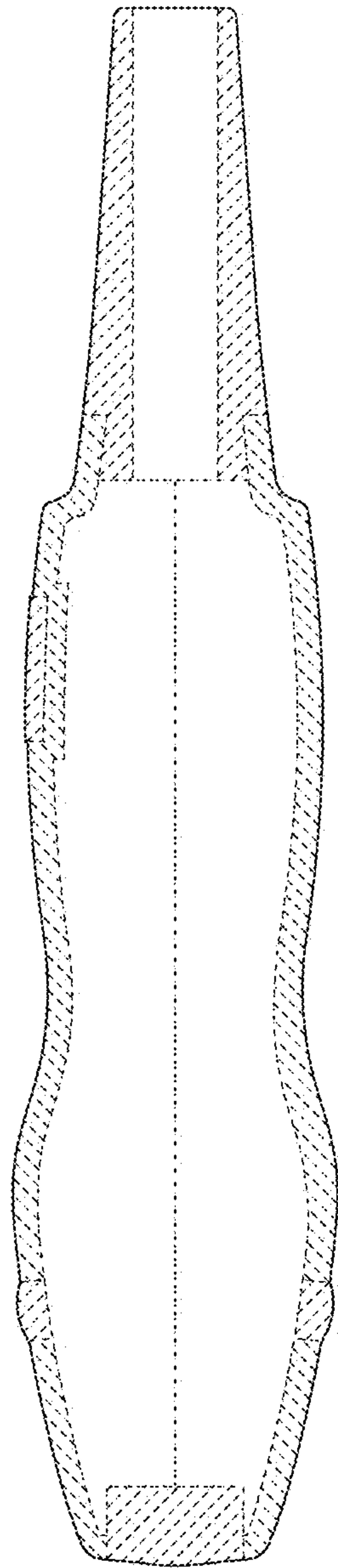


Fig. 7



*Fig. 9*