



US00D745970S

(12) **United States Design Patent**
Lecuyer et al.

(10) **Patent No.:** **US D745,970 S**
(45) **Date of Patent:** **** Dec. 22, 2015**

(54) **DENTAL ARM FOR CEPHALOMETRIC IMAGING MODULE**

(71) Applicant: **Carestream Health, Inc.**, Rochester, NY (US)

(72) Inventors: **Yann Lecuyer**, Paris (FR); **Olivier Martino**, Marne la Vallee (FR)

(73) Assignee: **Carestream Health, Inc.**, Rochester, NY (US)

(**) Term: **14 Years**

(21) Appl. No.: **29/507,868**

(22) Filed: **Oct. 31, 2014**

(51) **LOC (10) Cl.** **24-01**

(52) **U.S. Cl.**
USPC **D24/158**

(58) **Field of Classification Search**
USPC D24/158-161, 186; 378/4, 21-27, 378/38-40, 102, 196-198, 208, 205
CPC A61B 6/14; A61B 6/587; A61B 6/4028
See application file for complete search history.

(56) **References Cited**

U.S. PATENT DOCUMENTS

D409,307 S * 5/1999 Phleps D24/158
D477,407 S * 7/2003 Malmen D24/158

D585,554 S * 1/2009 Suzuki D24/158
D604,415 S * 11/2009 Otsuka D24/158
D624,186 S * 9/2010 Youn D24/158
D685,478 S * 7/2013 Lomas D24/158
D708,336 S * 7/2014 Mattiuzzo D24/158
2007/0237291 A1* 10/2007 Nanni A61B 6/14
378/38
2011/0135055 A1* 6/2011 Sanchez Calvo
et al. A61B 6/587
378/21

* cited by examiner

Primary Examiner — Anhdao Doan

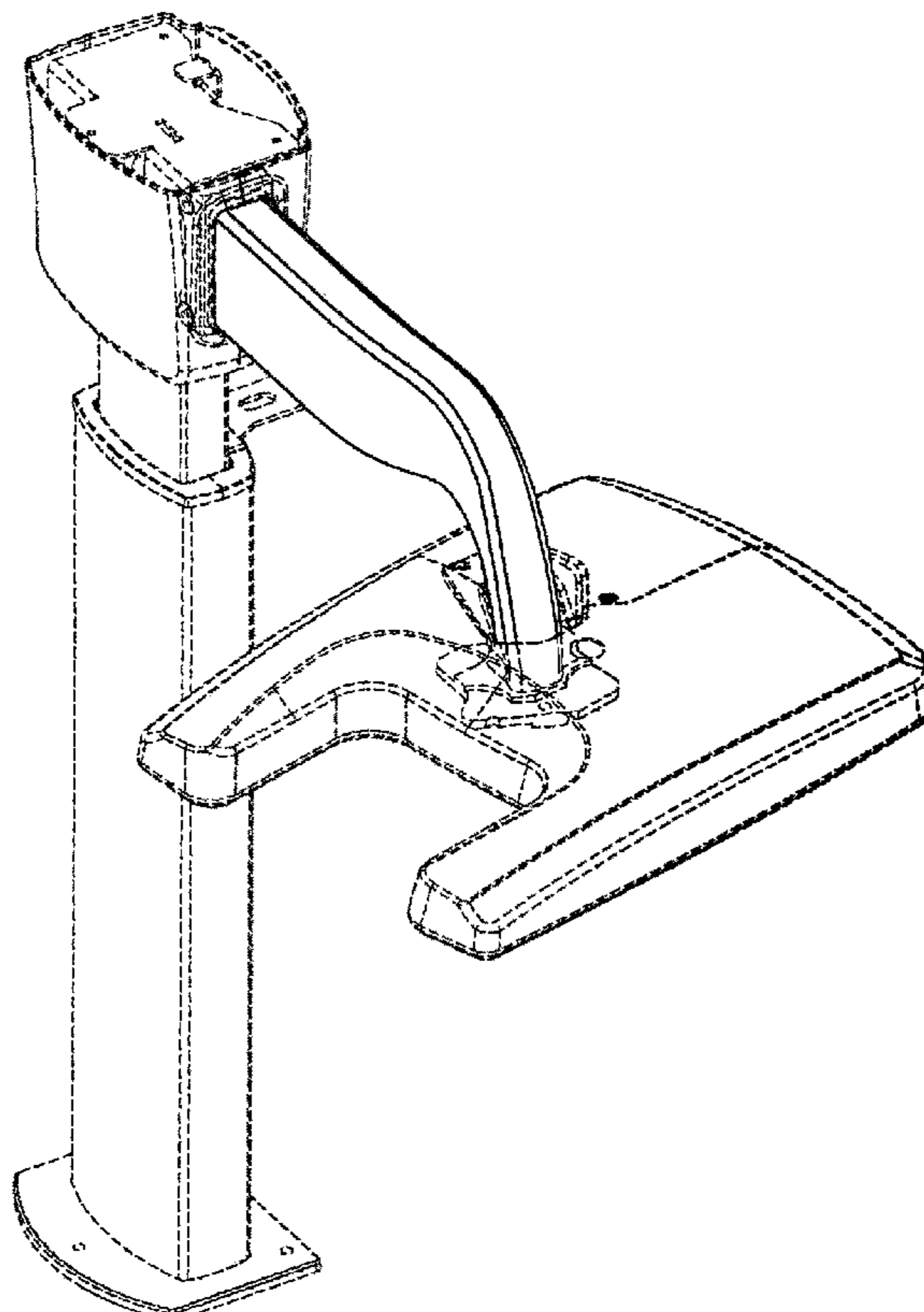
(57) **CLAIM**

The ornamental design for a dental arm for cephalometric imaging module, as shown and described.

DESCRIPTION

FIG. 1 is a front view of a dental arm for cephalometric imaging module showing our new design.
FIG. 2 is a left side view thereof.
FIG. 3 is a right side view thereof.
FIG. 4 is a top side view thereof.
FIG. 5 is a bottom side view thereof.
FIG. 6 is a rear side view thereof; and,
FIG. 7 is a front perspective view thereof.
The broken lines immediately adjacent the shaded areas represent the bounds of the claim, and all other broken lines are included for the purpose of illustrating unclaimed portions of the dental arm for cephalometric imaging module. None of the broken lines form a part of the claimed design.

1 Claim, 7 Drawing Sheets



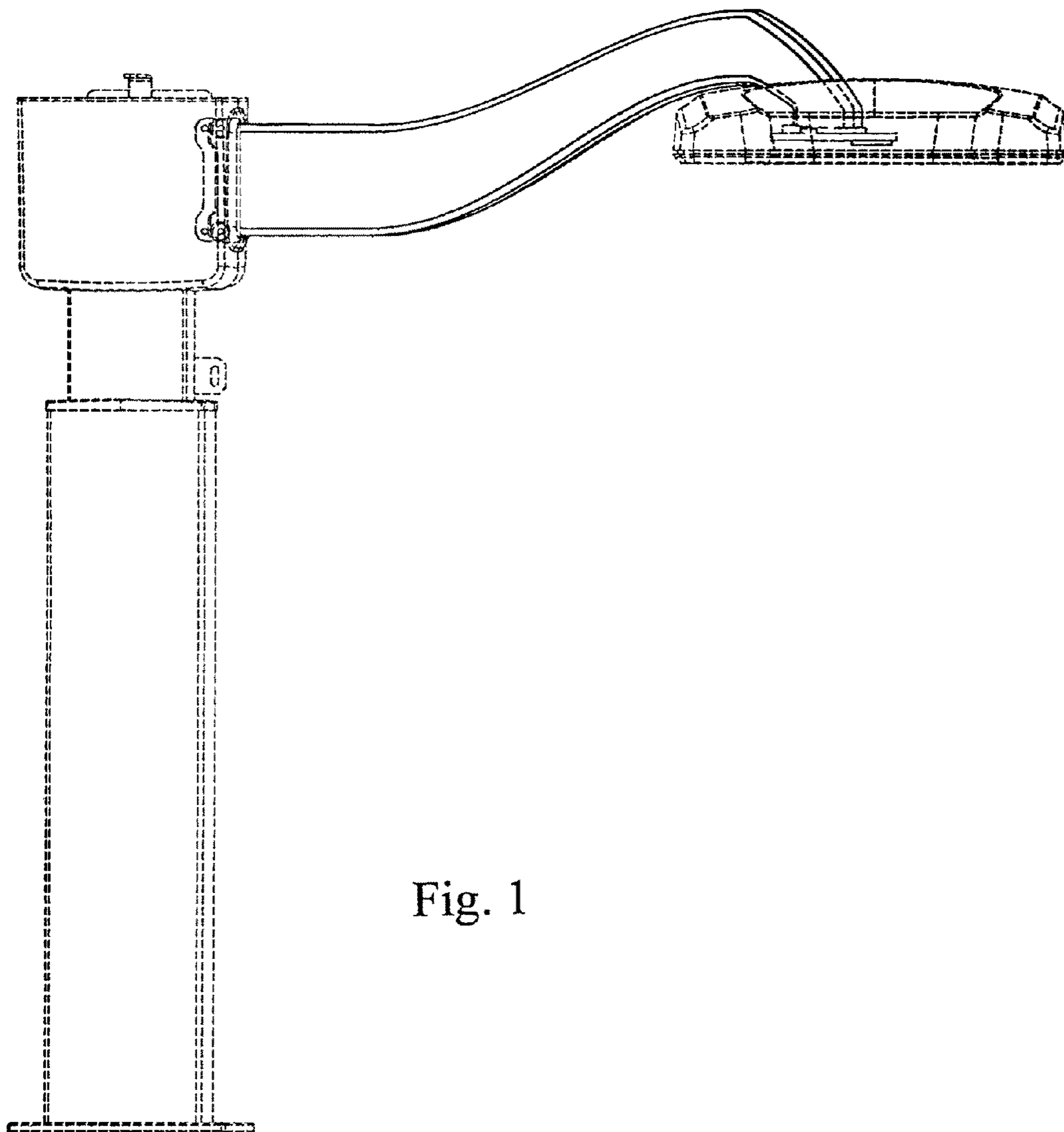


Fig. 1

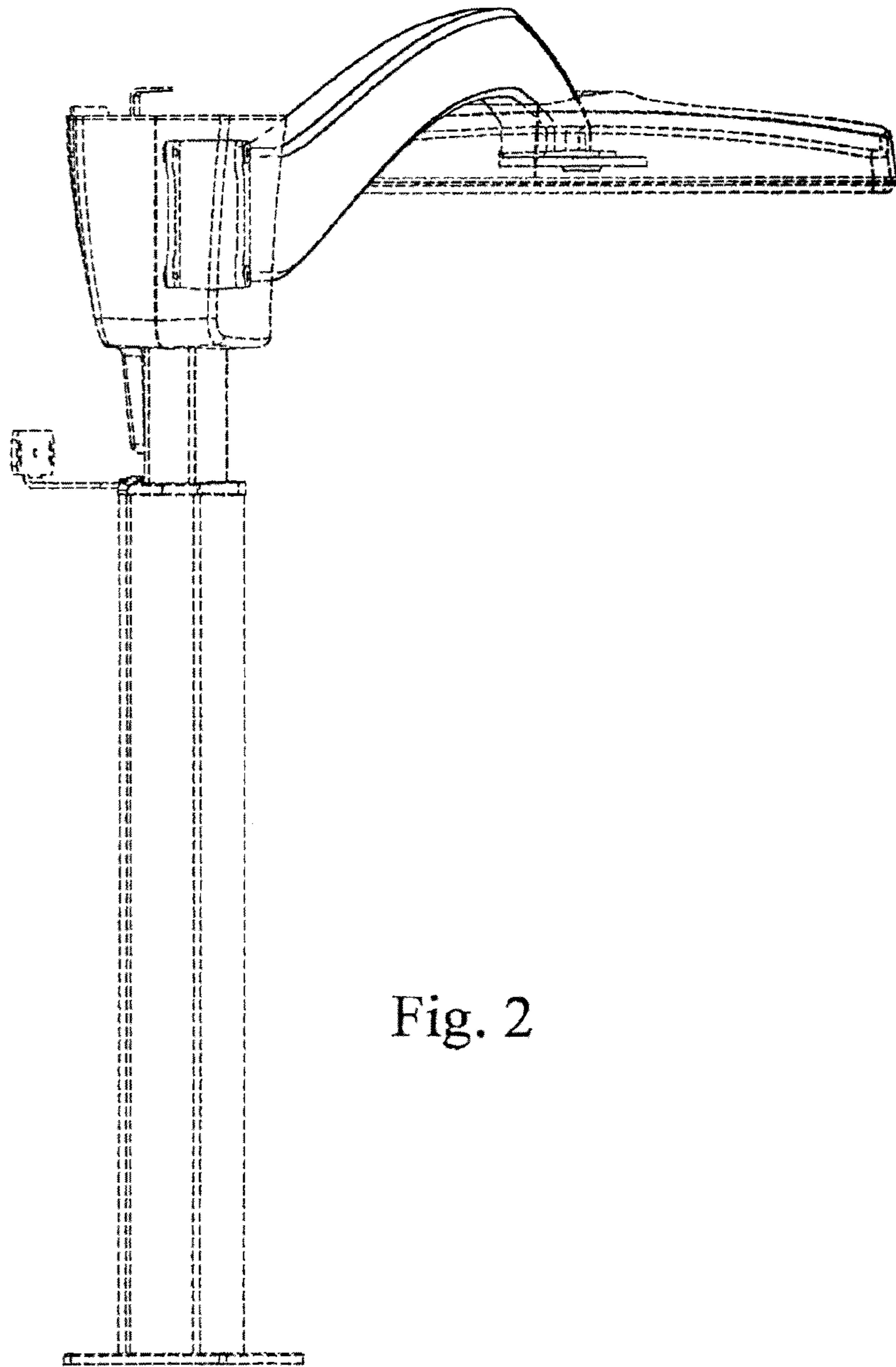


Fig. 2

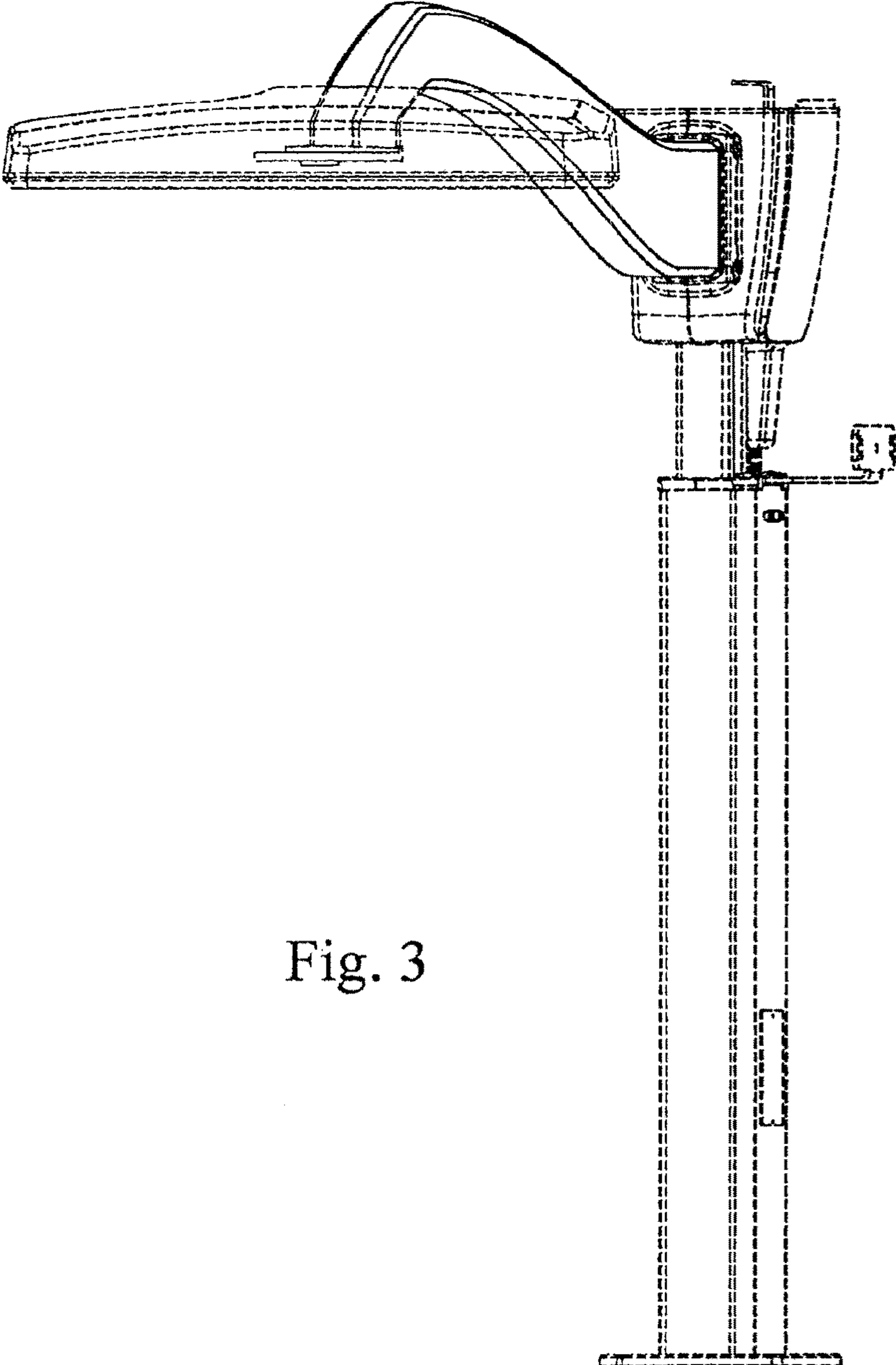


Fig. 3

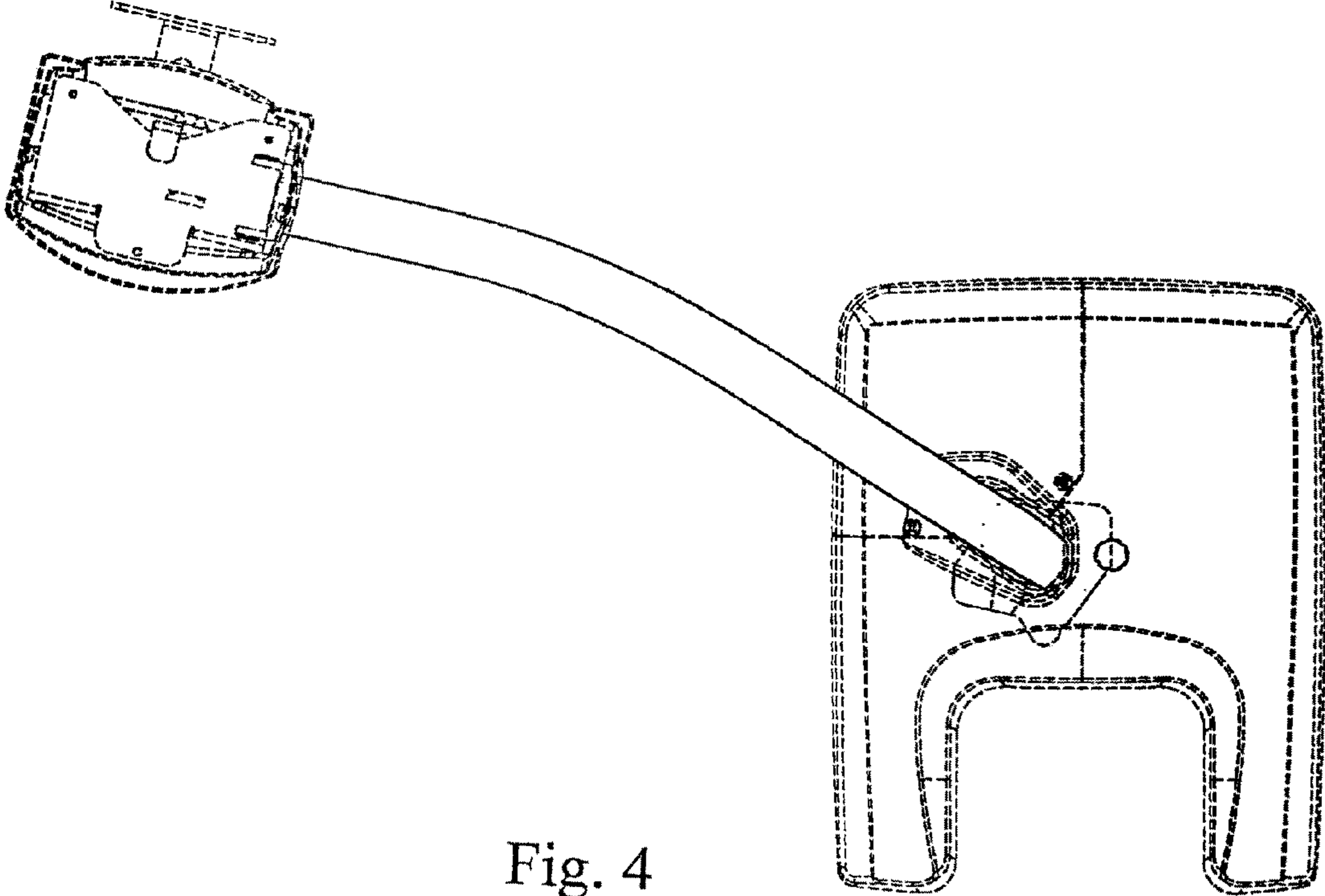


Fig. 4

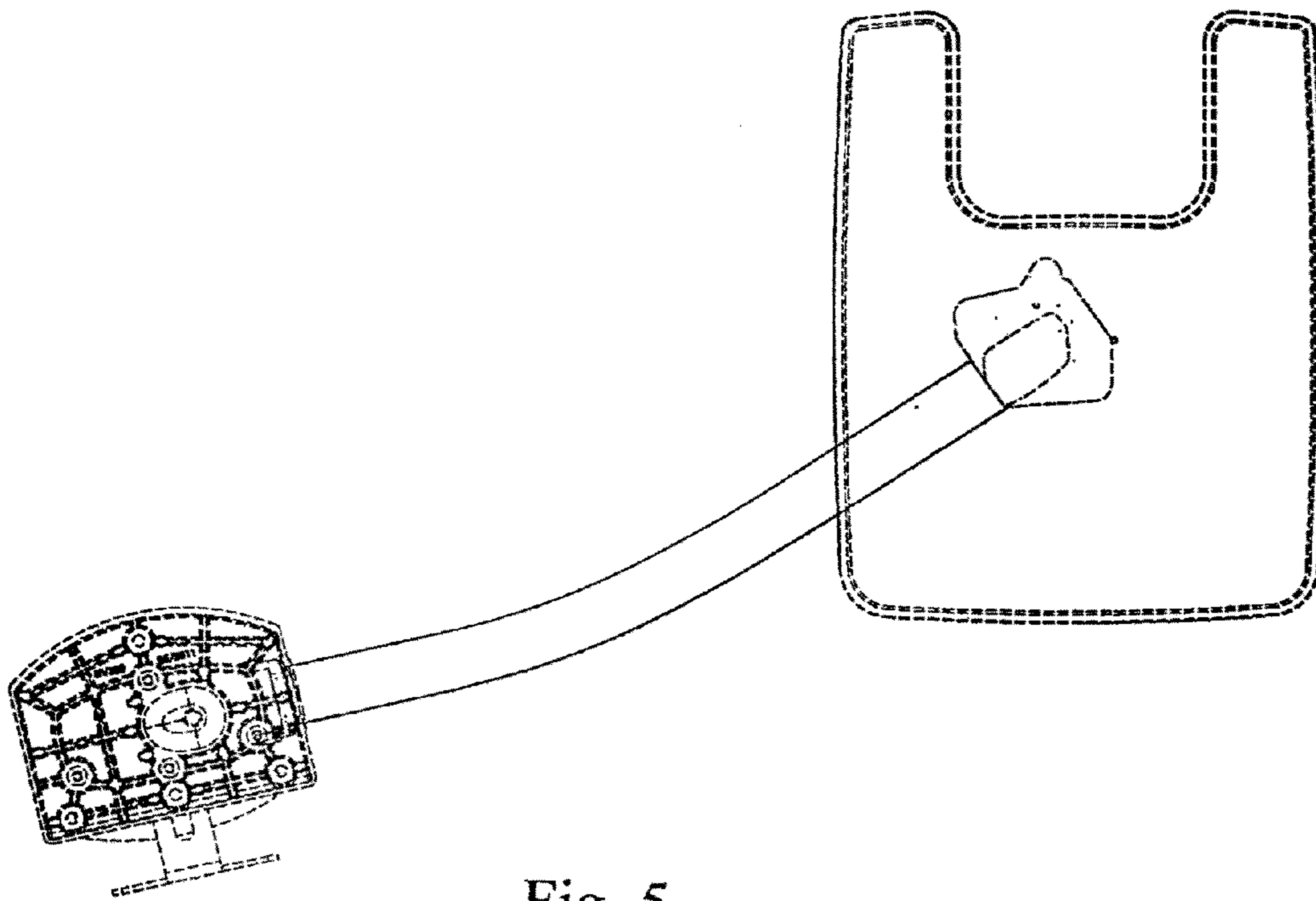


Fig. 5

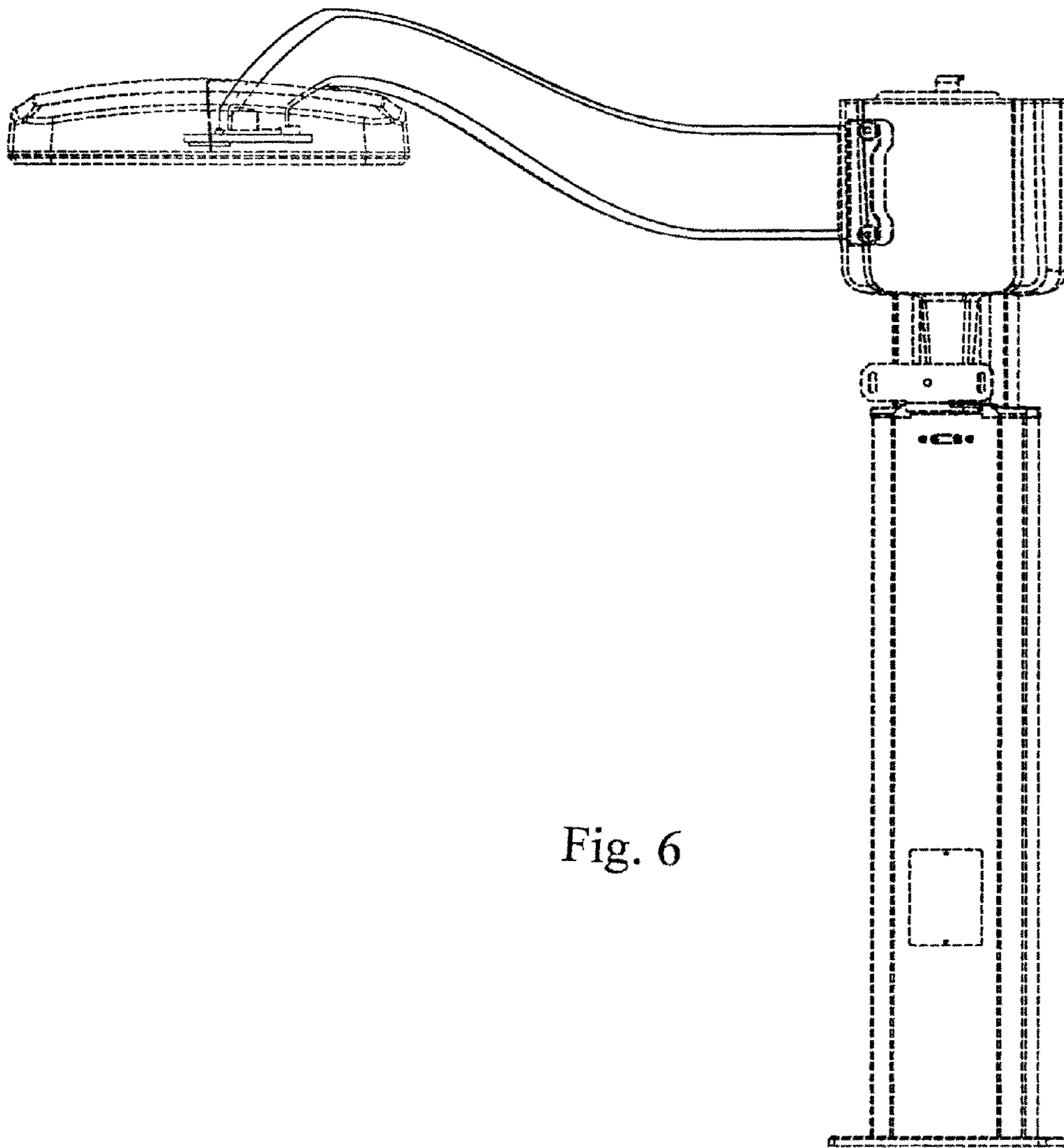


Fig. 6

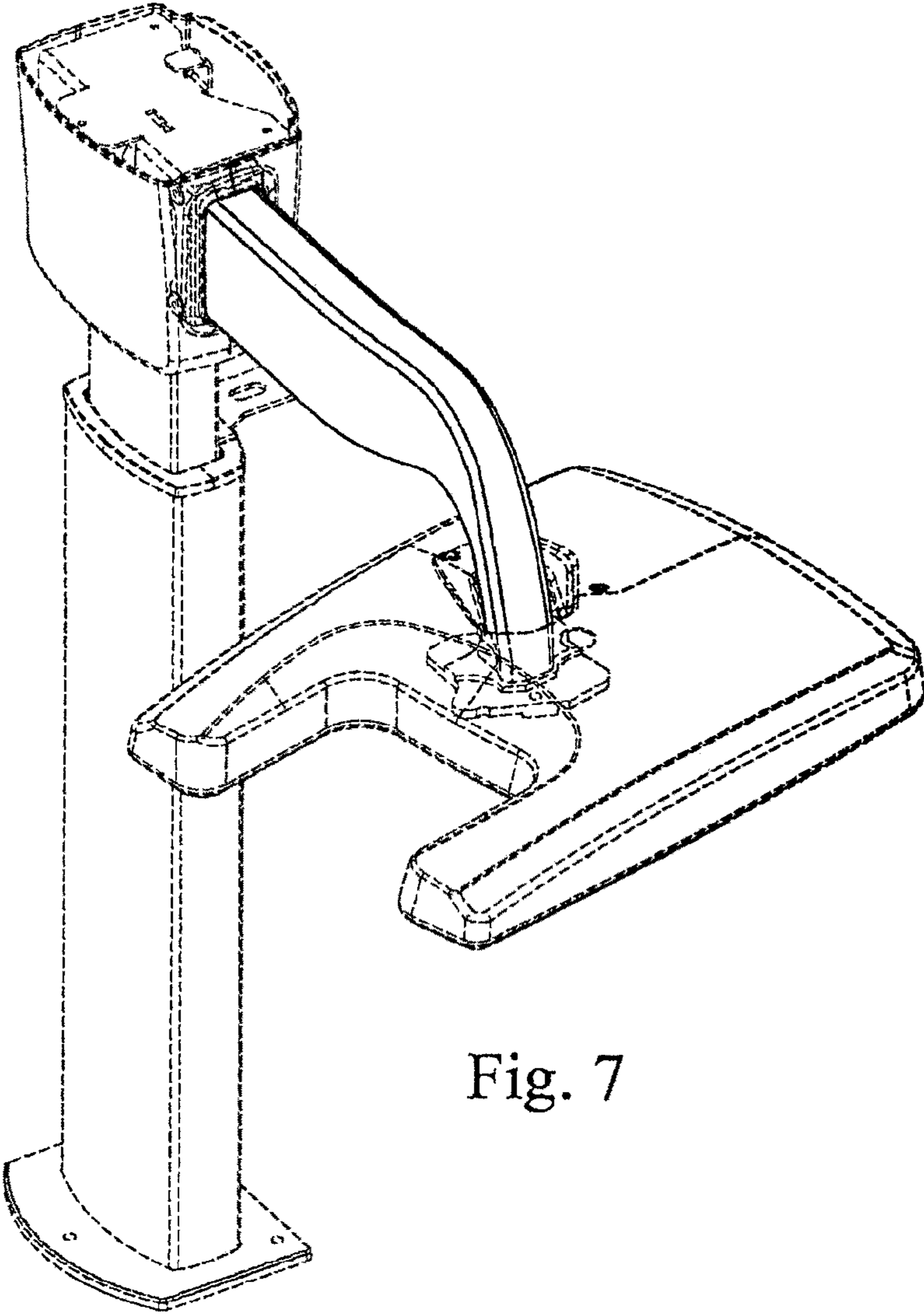


Fig. 7