



US00D745967S

(12) **United States Design Patent**
Anderson et al.

(10) **Patent No.:** **US D745,967 S**

(45) **Date of Patent:** **** Dec. 22, 2015**

(54) **DENTAL HAMMER**

(71) Applicants: **Mark L. Anderson**, Spring Valley, WI (US); **Jim Wait**, Spring Valley, WI (US)

(72) Inventors: **Mark L. Anderson**, Spring Valley, WI (US); **Jim Wait**, Spring Valley, WI (US)

(73) Assignee: **Mark L. Anderson**, Spring Valley, WI (US)

(**) Term: **14 Years**

(21) Appl. No.: **29/493,326**

(22) Filed: **Jun. 9, 2014**

(51) **LOC (10) Cl.** **24-02**

(52) **U.S. Cl.**
USPC **D24/152**

(58) **Field of Classification Search**
USPC D24/152, 133, 135, 142, 146-147,
D24/155-156, 176-177; D8/107, 14, 47;
433/141, 2, 114, 140, 148-150, 215,
433/40

CPC A61C 3/00; A61C 8/0089; A61C 8/0022;
A61C 3/02; A61C 3/14; A61C 8/00; A61C
8/001; A61C 8/0024

See application file for complete search history.

(56) **References Cited**

U.S. PATENT DOCUMENTS

1,389,954	A *	9/1921	McCombs	433/141
1,606,686	A *	11/1926	Barry	433/141
D159,482	S *	8/1950	Garbs	D8/87
2,802,382	A *	8/1957	Adams et al.	29/270
3,468,031	A *	9/1969	Mumaw	433/146
D230,944	S *	3/1974	Tremaine et al.	D8/82
4,329,892	A *	5/1982	Daigle	81/55
4,542,667	A *	9/1985	Jang	81/177.2
D285,769	S *	9/1986	Flory et al.	D8/31

D302,590	S *	8/1989	Trott	D24/147
D303,009	S *	8/1989	Strasser et al.	D24/147
D311,315	S *	10/1990	Duke	D8/25
D313,153	S *	12/1990	Lockman	D8/21
D356,239	S *	3/1995	Lin	D8/82
D451,353	S *	12/2001	Challinor	D8/47
D480,933	S *	10/2003	Wendt	D8/21
D518,350	S *	4/2006	Hay	D8/107
D552,949	S *	10/2007	Strahorn	D8/21
D613,139	S *	4/2010	Lai	D8/21
D645,563	S *	9/2011	Chronister et al.	D24/176
D646,948	S *	10/2011	Robinson et al.	D8/83
8,517,730	B2 *	8/2013	Darwish et al.	433/118
D715,437	S *	10/2014	Busch	D24/152
2009/0187194	A1 *	7/2009	Hamada	606/104
2009/0187220	A1 *	7/2009	Hamada	606/86 A

* cited by examiner

Primary Examiner — Wan Laymon

Assistant Examiner — Mark Booker

(74) *Attorney, Agent, or Firm* — Skinner and Associates;
Joel Skinner

(57) **CLAIM**

The ornamental design for a dental hammer, as shown and described.

DESCRIPTION

FIG. 1 is a perspective view of a dental hammer showing an embodiment of the design of the invention.

FIG. 2 is a front view thereof.

FIG. 3 is a back view thereof.

FIG. 4 is a side view thereof.

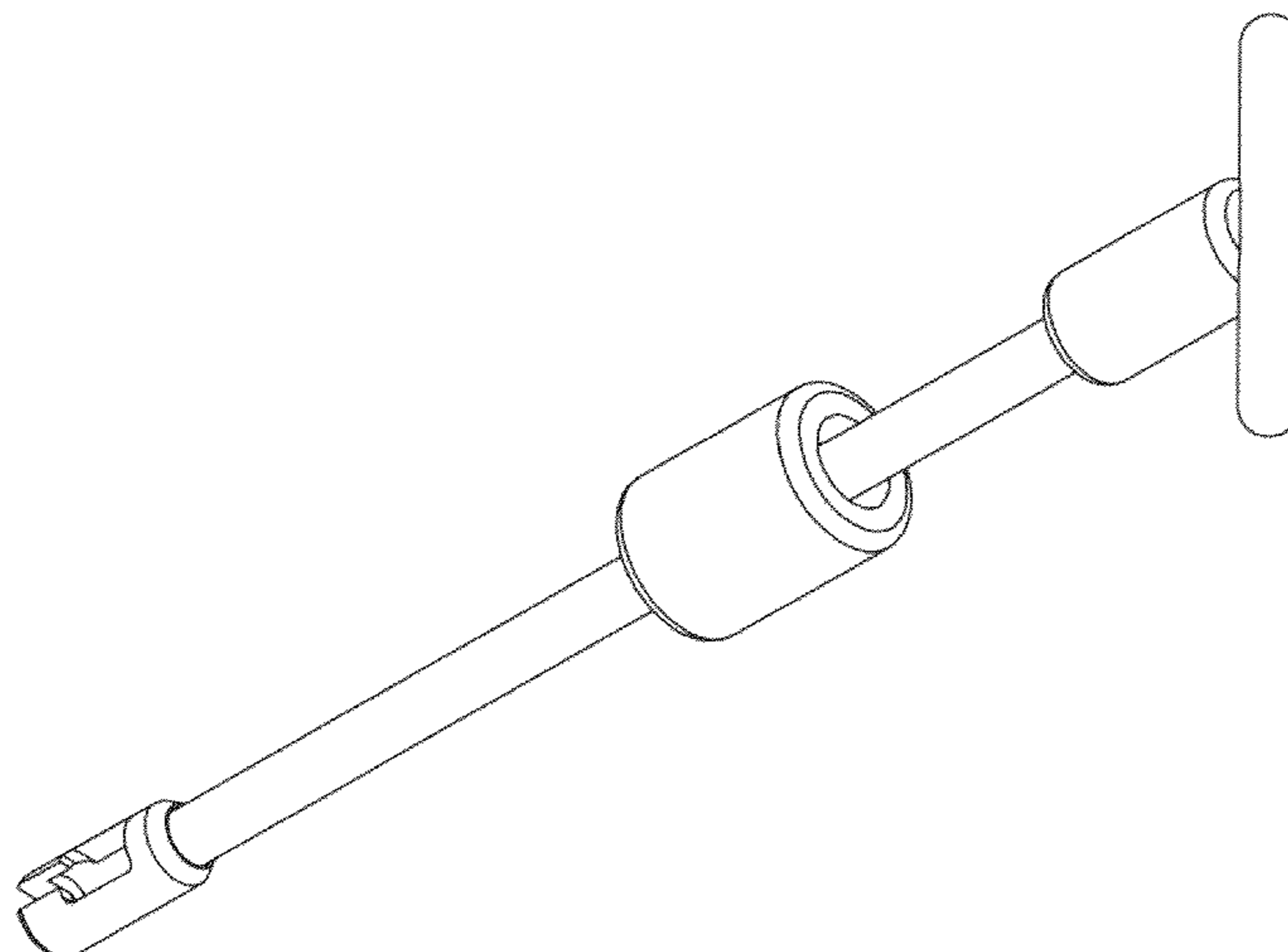
FIG. 5 is the opposite side view thereof.

FIG. 6 is a top view thereof; and,

FIG. 7 is a bottom view thereof.

The design is for a dental hammer which is used with an anchor retractor device (not shown) to extract root tips of teeth from animals during dental procedures.

1 Claim, 3 Drawing Sheets



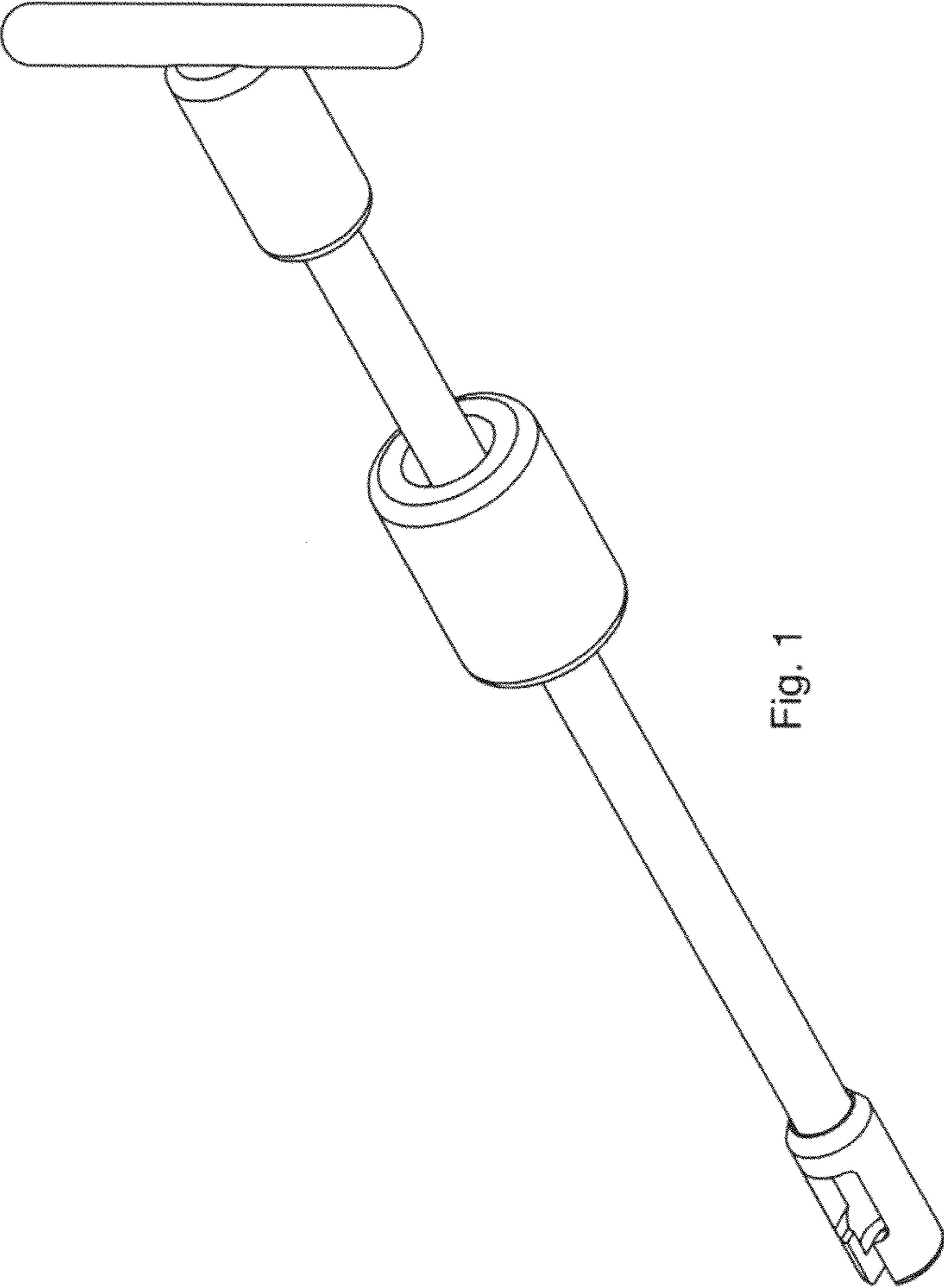


Fig. 1

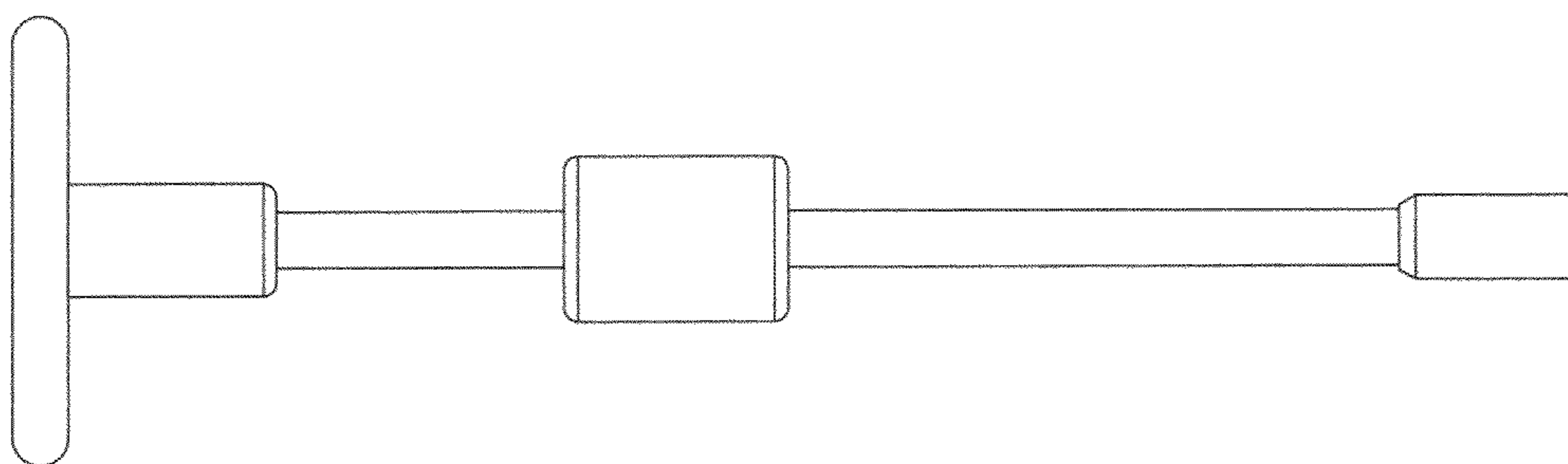


Fig. 3

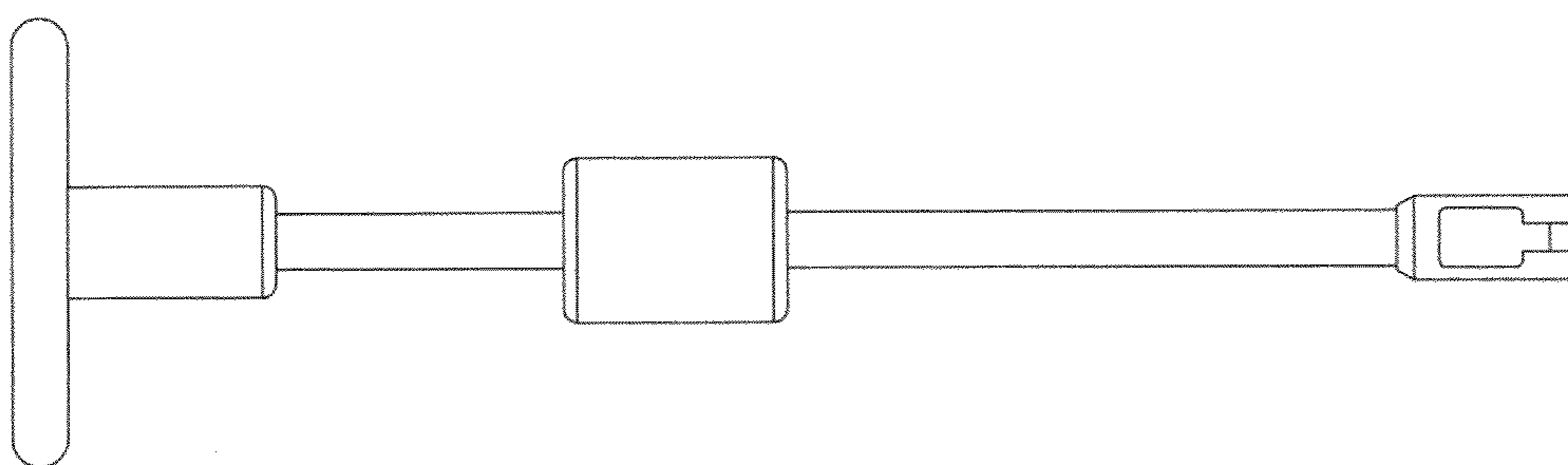


Fig. 2

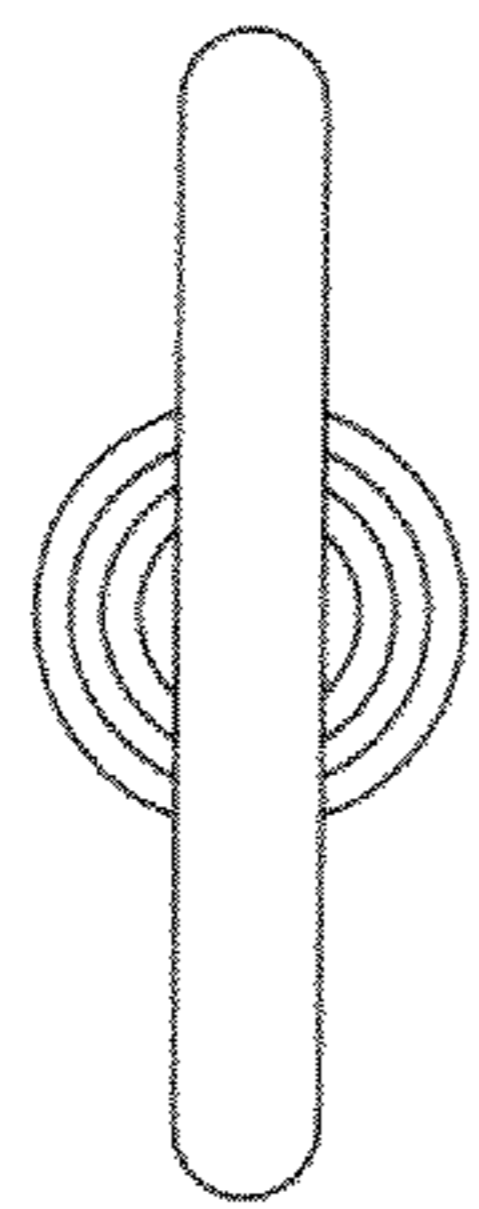


Fig. 6

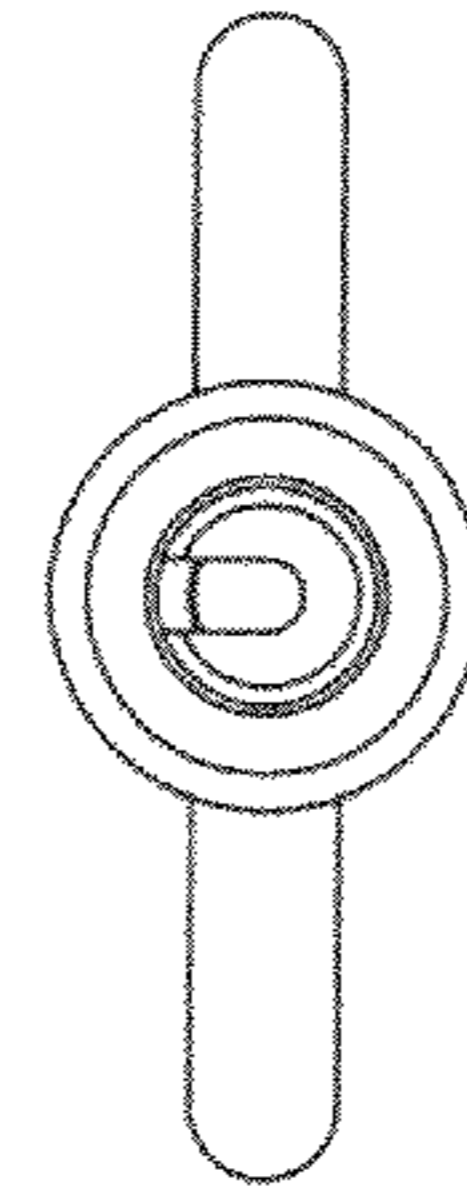


Fig. 7

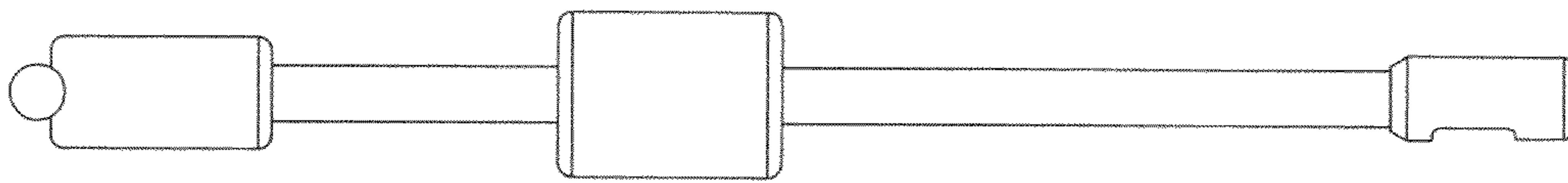


Fig. 5

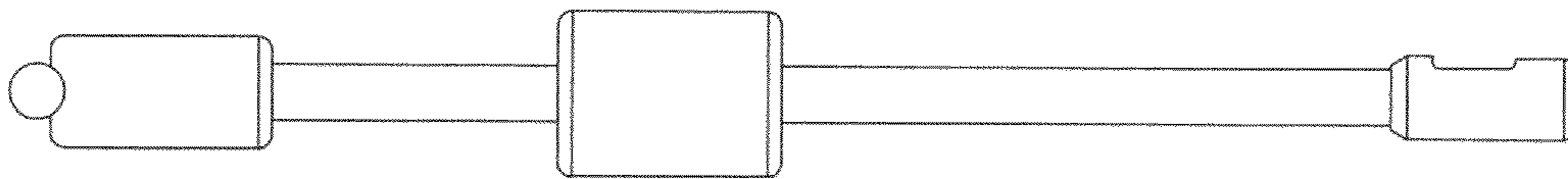


Fig. 4