



US00D745961S

(12) **United States Design Patent**  
**Pickett**

(10) **Patent No.:** **US D745,961 S**

(45) **Date of Patent:** **\*\* Dec. 22, 2015**

- (54) **CEILING FAN MOTOR HOUSING**
- (71) Applicant: **YOUNGO LIMITED**, Central (HK)
- (72) Inventor: **Mark Pickett**, Altadena, CA (US)
- (73) Assignee: **YOUNGO LIMITED**, Central (HK)
- (\*\*) Term: **14 Years**
- (21) Appl. No.: **29/502,611**
- (22) Filed: **Sep. 17, 2014**
- (51) **LOC (10) Cl.** ..... **23-04**
- (52) **U.S. Cl.**  
USPC ..... **D23/411**
- (58) **Field of Classification Search**  
USPC ..... D23/370–385, 411–414, 59;  
392/360–364  
CPC ..... F04D 29/34; F04D 29/38; F04D 25/088  
See application file for complete search history.

- D527,452 S \* 8/2006 Hidalgo ..... D23/411
- D527,453 S \* 8/2006 Hidalgo ..... D23/411
- D551,753 S \* 9/2007 Ertze ..... D23/411
- D583,922 S \* 12/2008 Hidalgo ..... D23/377

\* cited by examiner

*Primary Examiner* — Sandra Snapp

(74) *Attorney, Agent, or Firm* — Bruce Stone LLP; Joseph Bruce

(57) **CLAIM**

The ornamental design for a ceiling fan motor housing, as shown and described.

**DESCRIPTION**

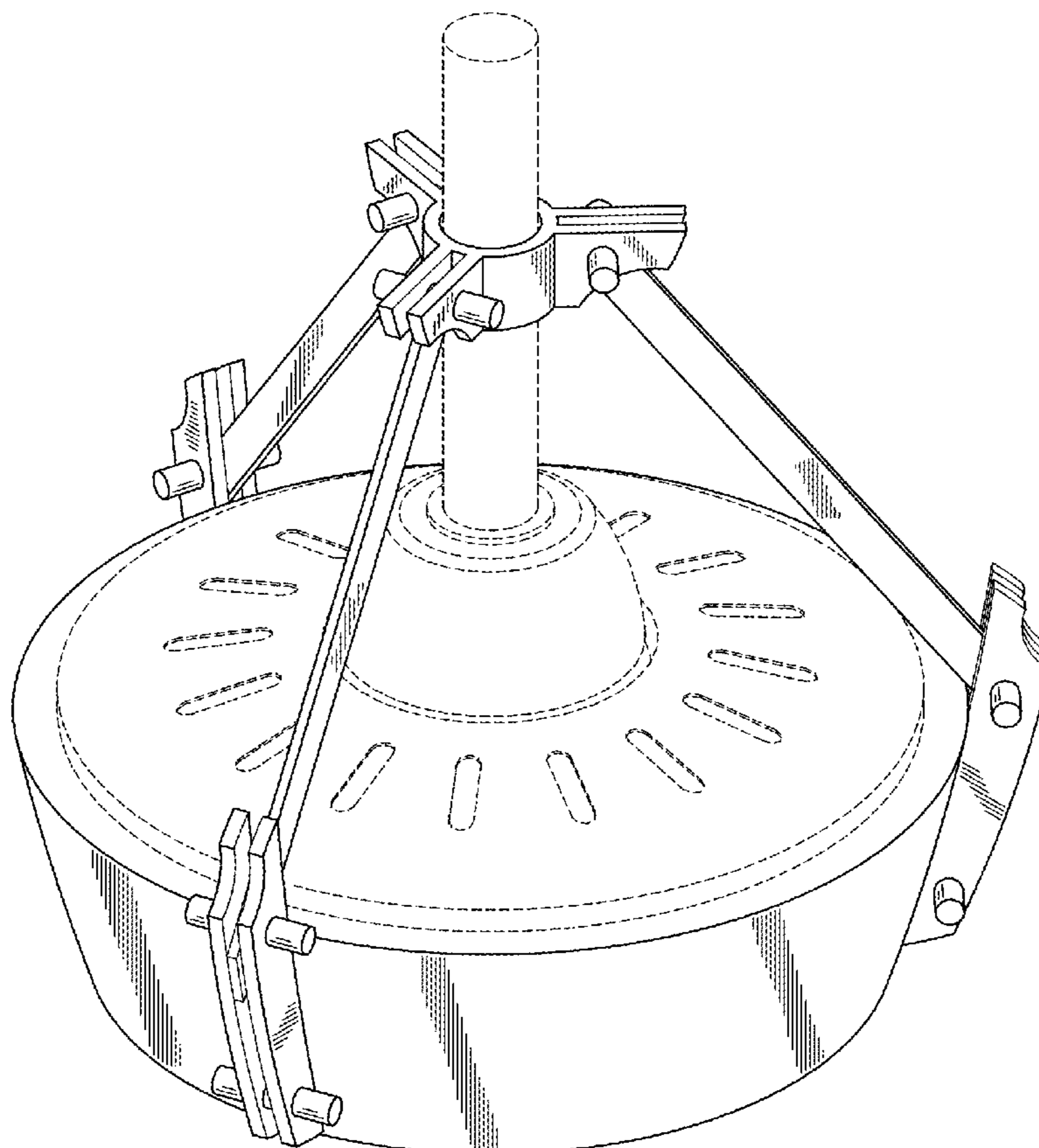
FIG. 1 is a perspective view of the present design;  
 FIG. 2 is a front view of the present design;  
 FIG. 3 is a rear view of the present design;  
 FIG. 4 is a left side view of the present design;  
 FIG. 5 is a right side view of the present design;  
 FIG. 6 is a top view of the present design; and,  
 FIG. 7 is a bottom view of the present design.  
 The broken lines showing structural features are for illustrative purposes only and form no part of the claimed design.

(56) **References Cited**

**U.S. PATENT DOCUMENTS**

- D437,043 S \* 1/2001 Wettergren ..... D23/370
- D524,434 S \* 7/2006 Hidalgo ..... D23/377

**1 Claim, 7 Drawing Sheets**



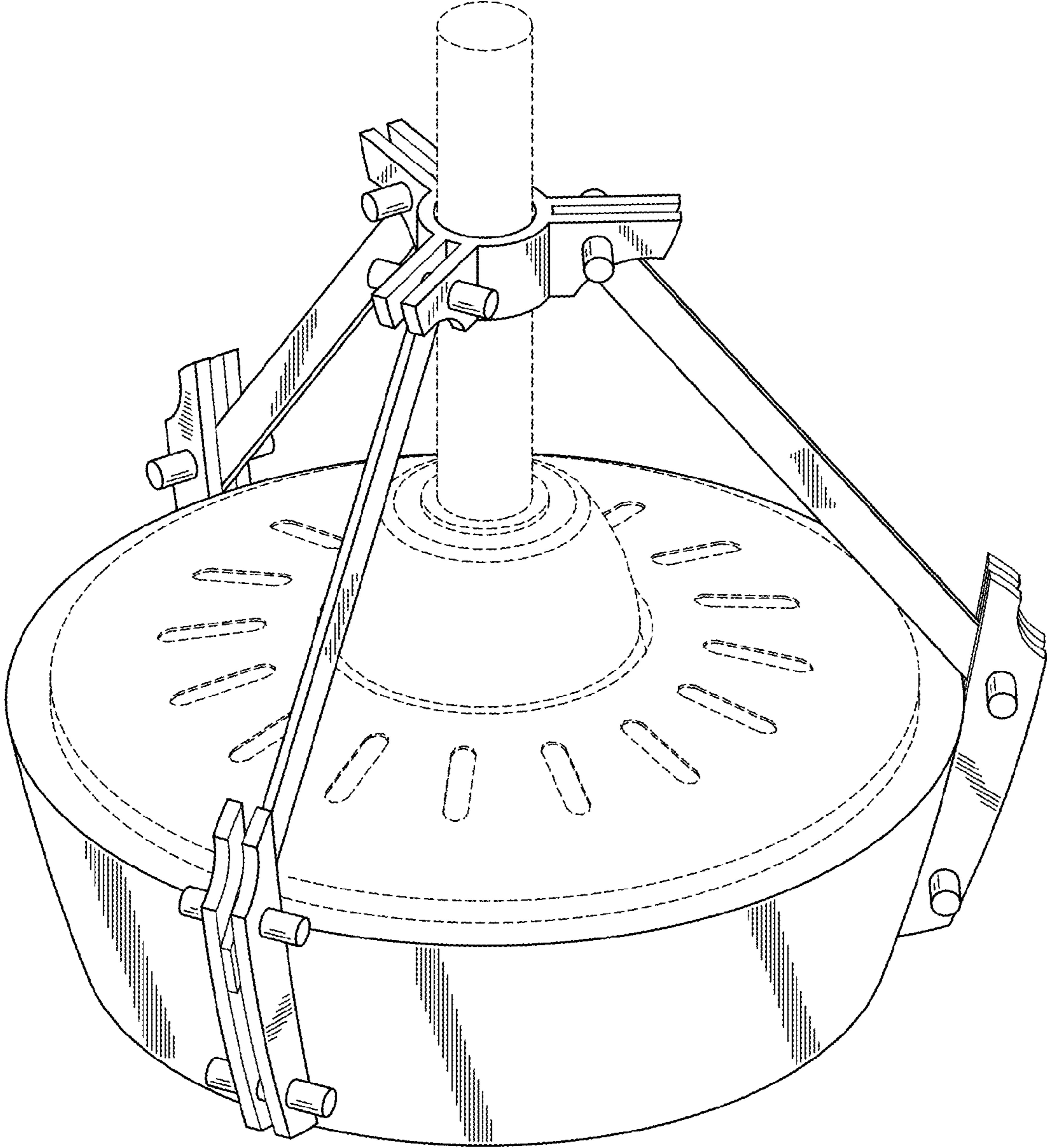


FIG. 1

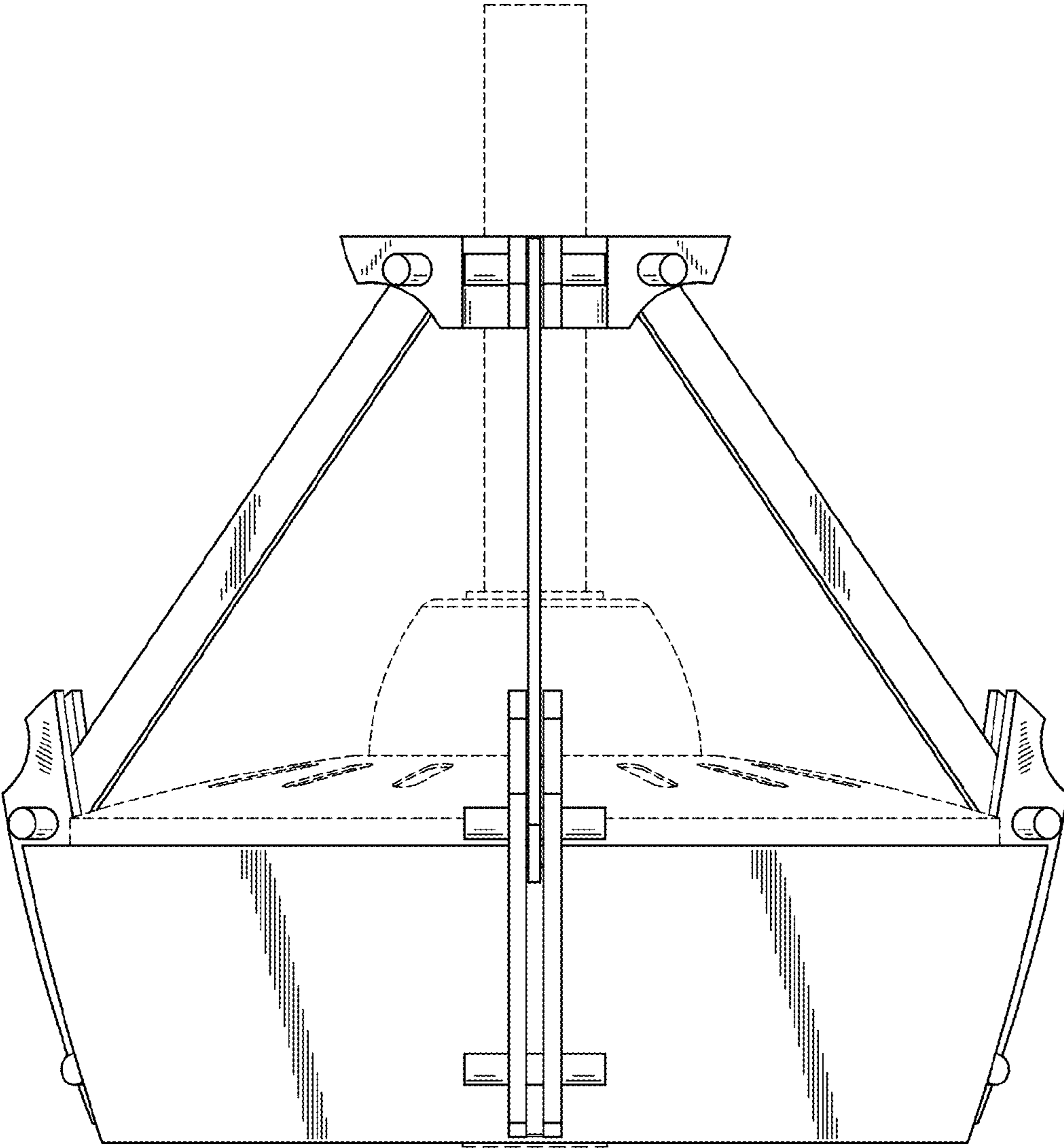


FIG. 2

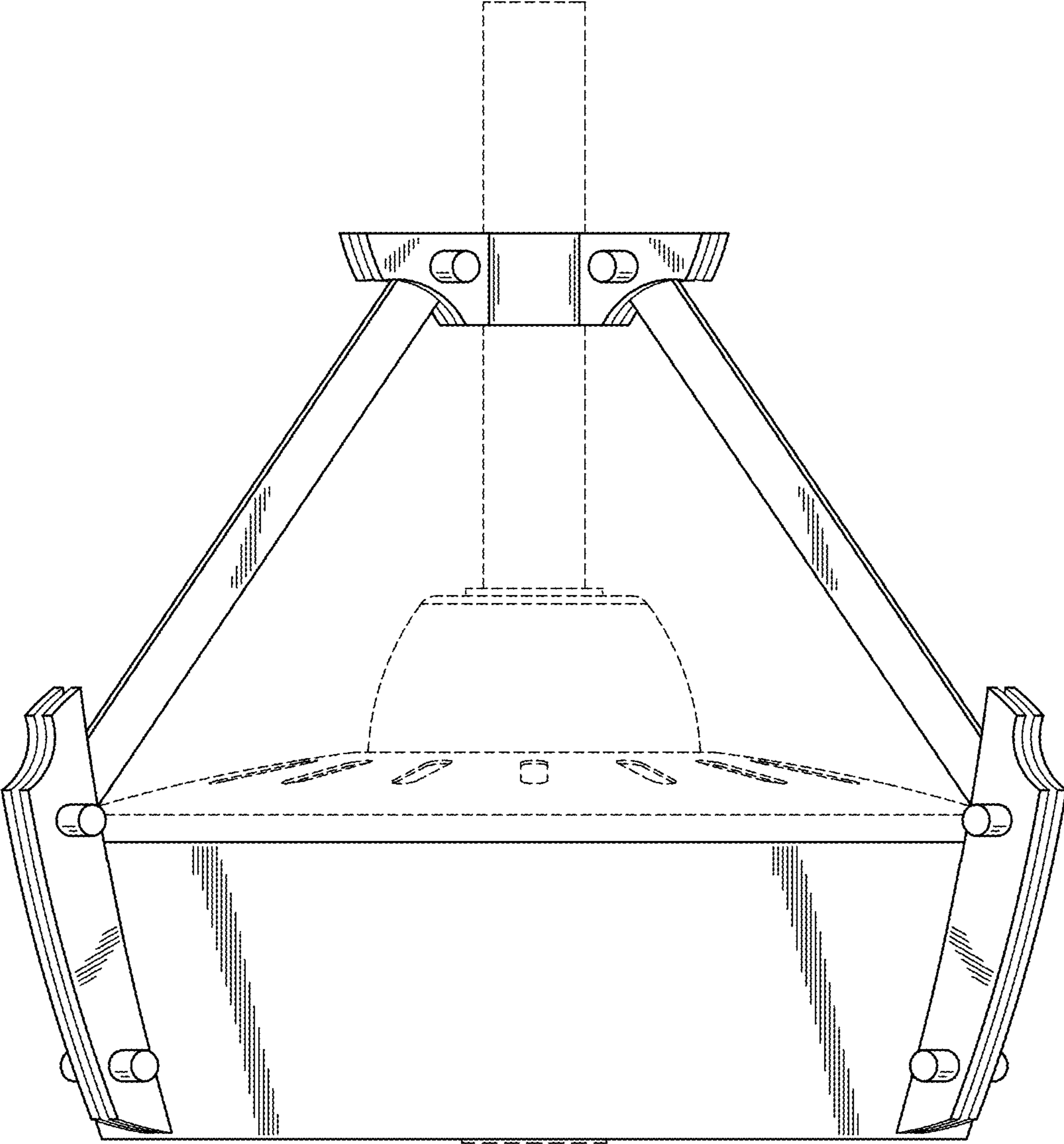


FIG. 3

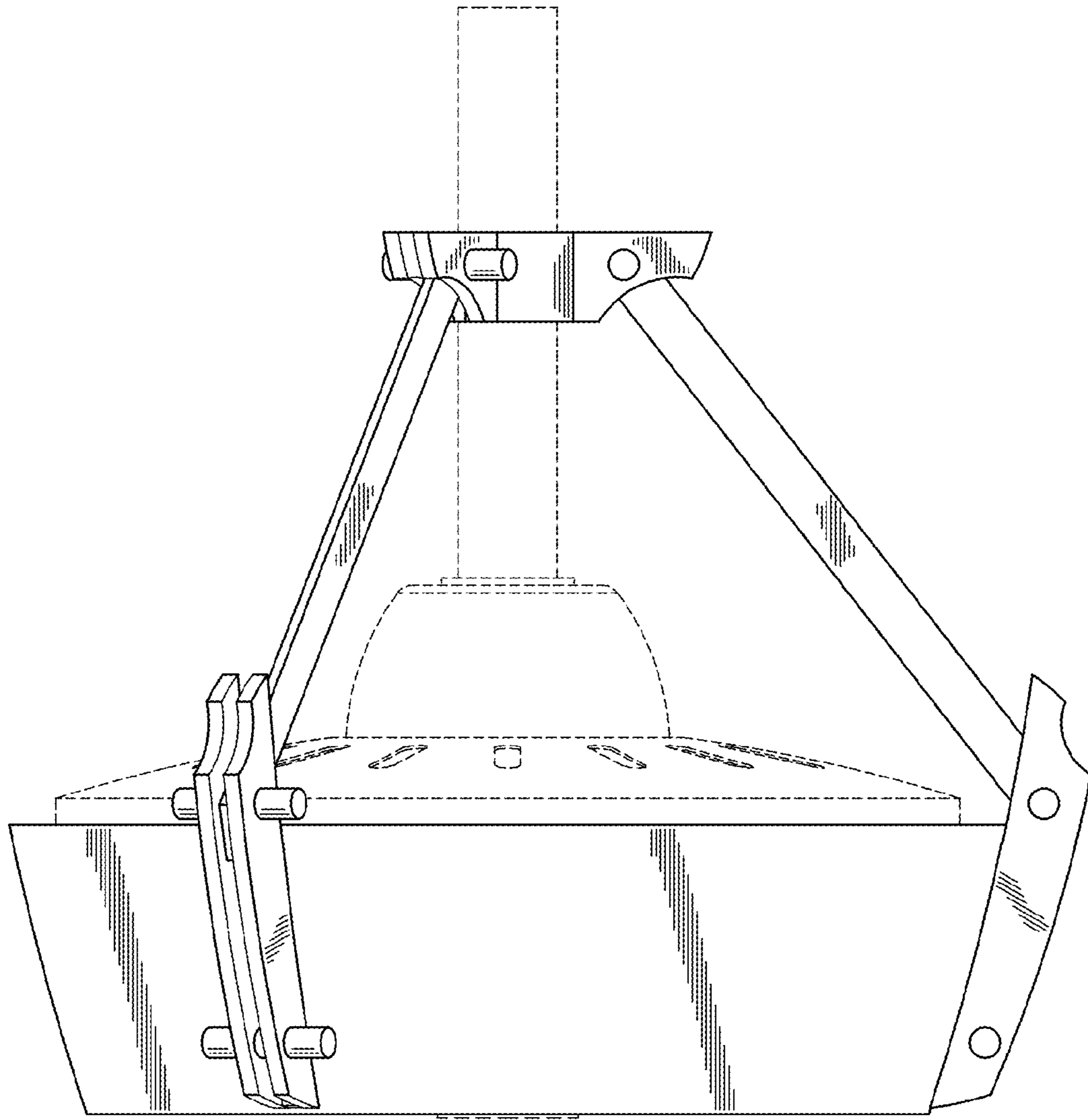


FIG. 4

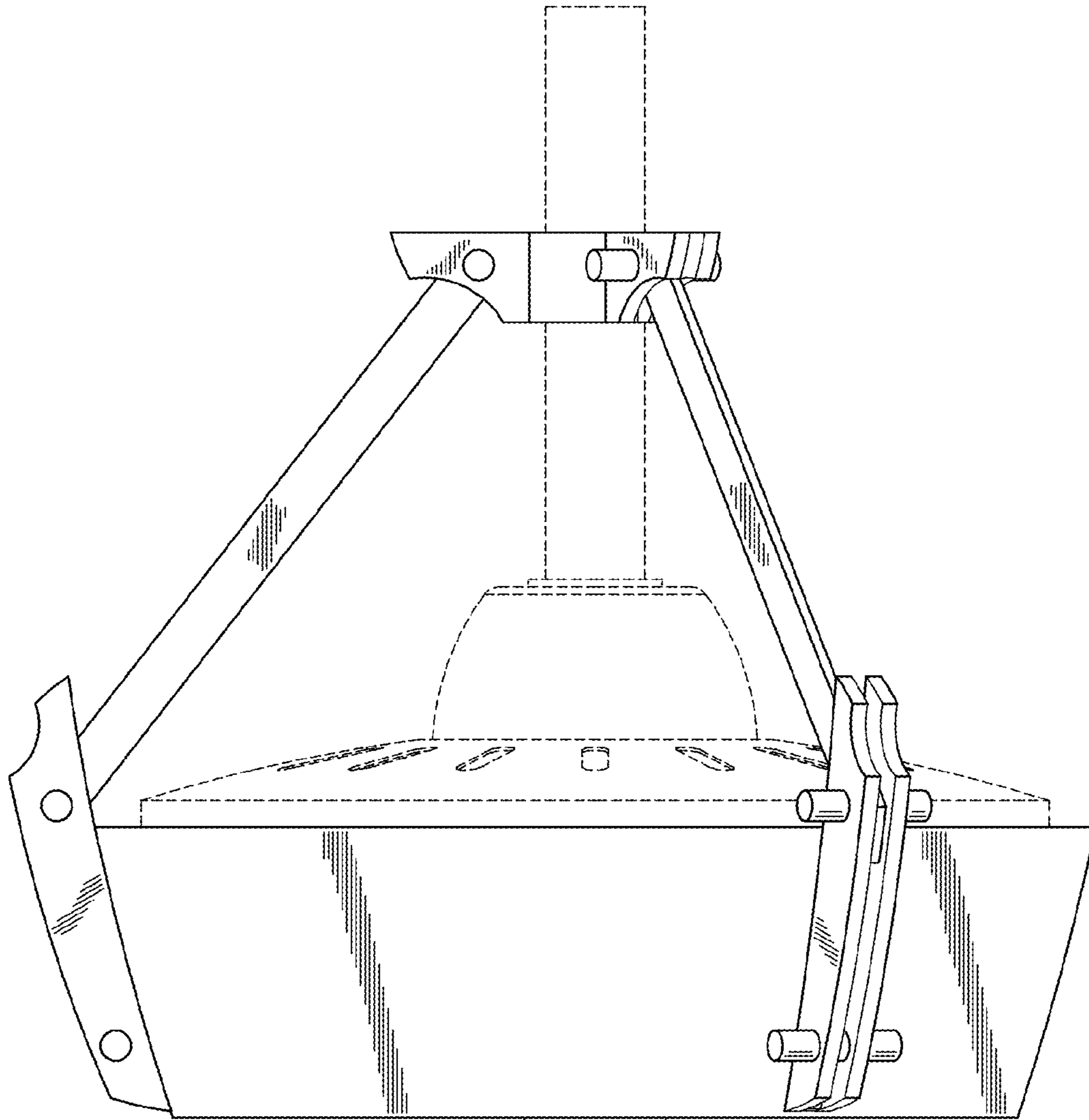


FIG. 5

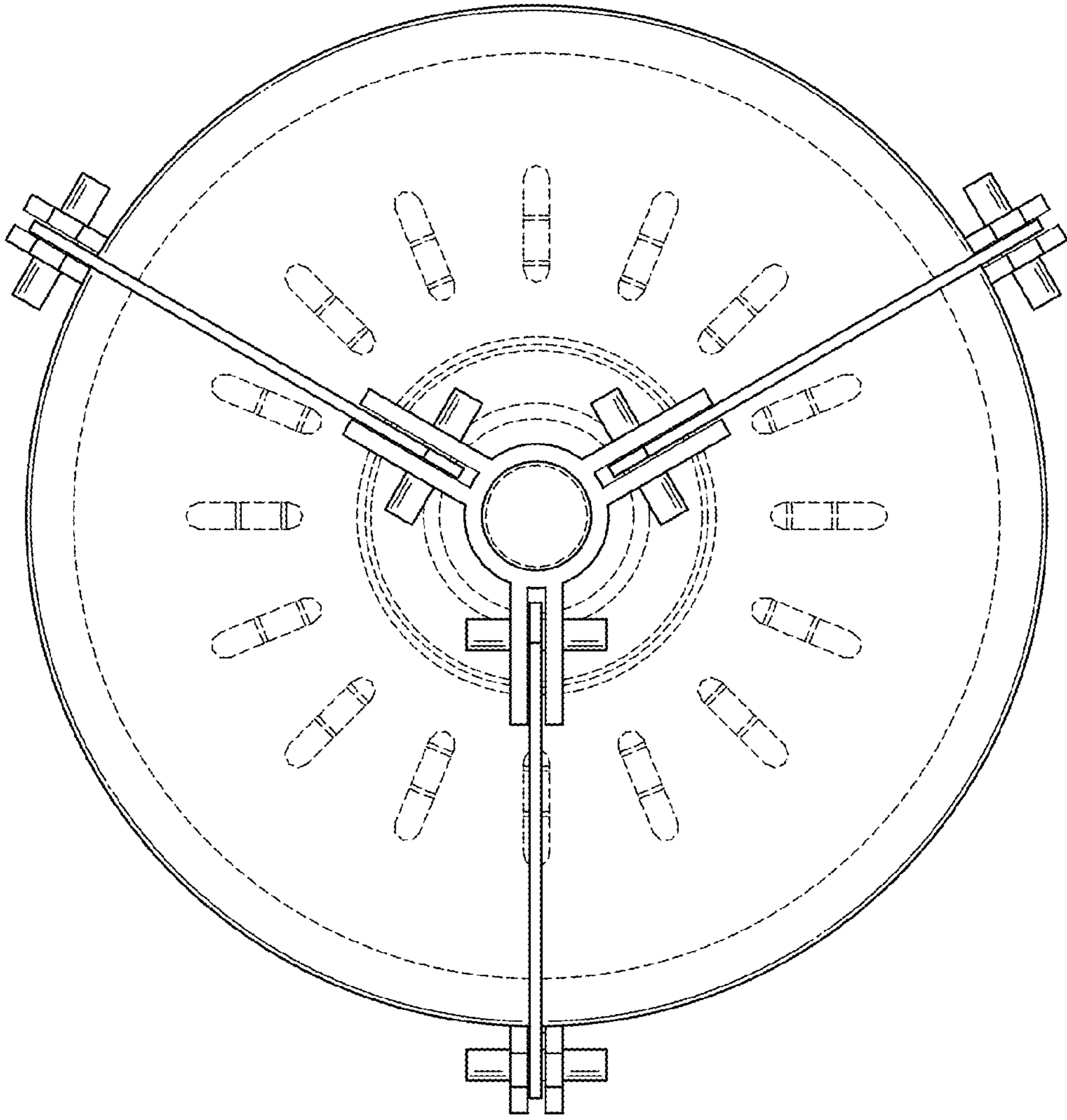


FIG. 6

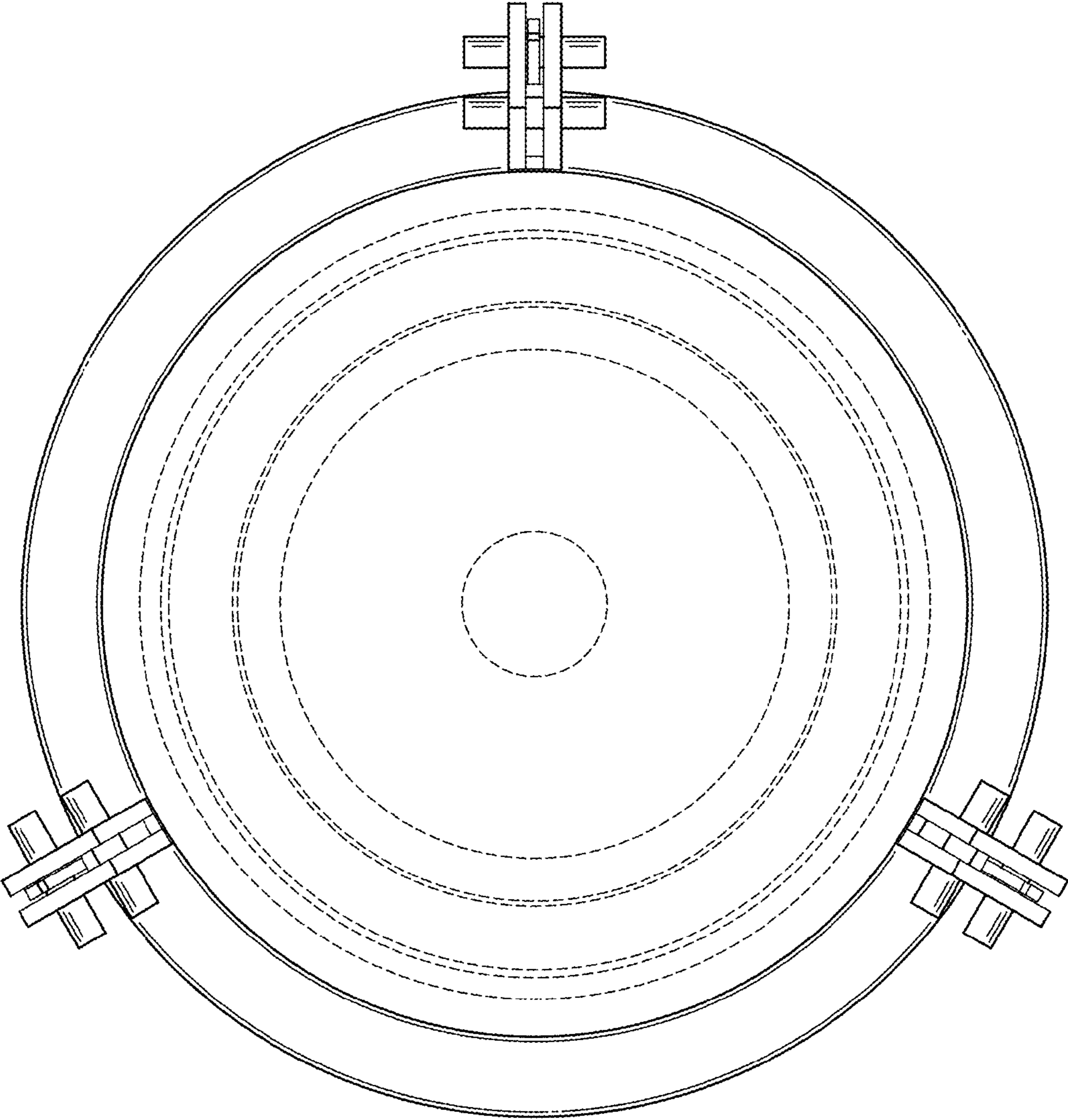


FIG. 7