



US00D745960S

(12) **United States Design Patent**  
**Pickett**

(10) **Patent No.:** **US D745,960 S**

(45) **Date of Patent:** **\*\* Dec. 22, 2015**

(54) **CEILING FAN BLADE IRON**  
(71) Applicant: **YOUNGO LIMITED**, Central (HK)  
(72) Inventor: **Mark Pickett**, Altadena, CA (US)  
(73) Assignee: **YOUNGO LIMITED**, Central (HK)  
(\*\*) Term: **14 Years**

D594,550 S *	6/2009	Pan	.....	D23/411
D599,460 S *	9/2009	Yang	.....	D23/377
D599,469 S *	9/2009	Yang	.....	D23/411
D627,054 S *	11/2010	Pan	.....	D23/411
D699,337 S *	2/2014	Wang	.....	D23/385
D699,338 S *	2/2014	Wang	.....	D23/385
D706,409 S *	6/2014	Wang	.....	D23/411
D707,347 S *	6/2014	Wang	.....	D23/411
D707,348 S *	6/2014	Pan	.....	D23/411
D710,986 S *	8/2014	Wang	.....	D23/411
D710,988 S *	8/2014	Pan	.....	D23/411

(21) Appl. No.: **29/502,609**  
(22) Filed: **Sep. 17, 2014**  
(51) **LOC (10) Cl.** ..... **23-04**  
(52) **U.S. Cl.**  
USPC ..... **D23/411**  
(58) **Field of Classification Search**  
USPC ..... D23/370–385, 411–414, 59;  
392/360–364  
CPC ..... F04D 29/34; F04D 29/38; F04D 25/088  
See application file for complete search history.

\* cited by examiner

*Primary Examiner* — Sandra Snapp

(74) *Attorney, Agent, or Firm* — Bruce Stone LLP; Joseph Bruce

(57) **CLAIM**

The ornamental design for a ceiling fan blade iron, as shown and described.

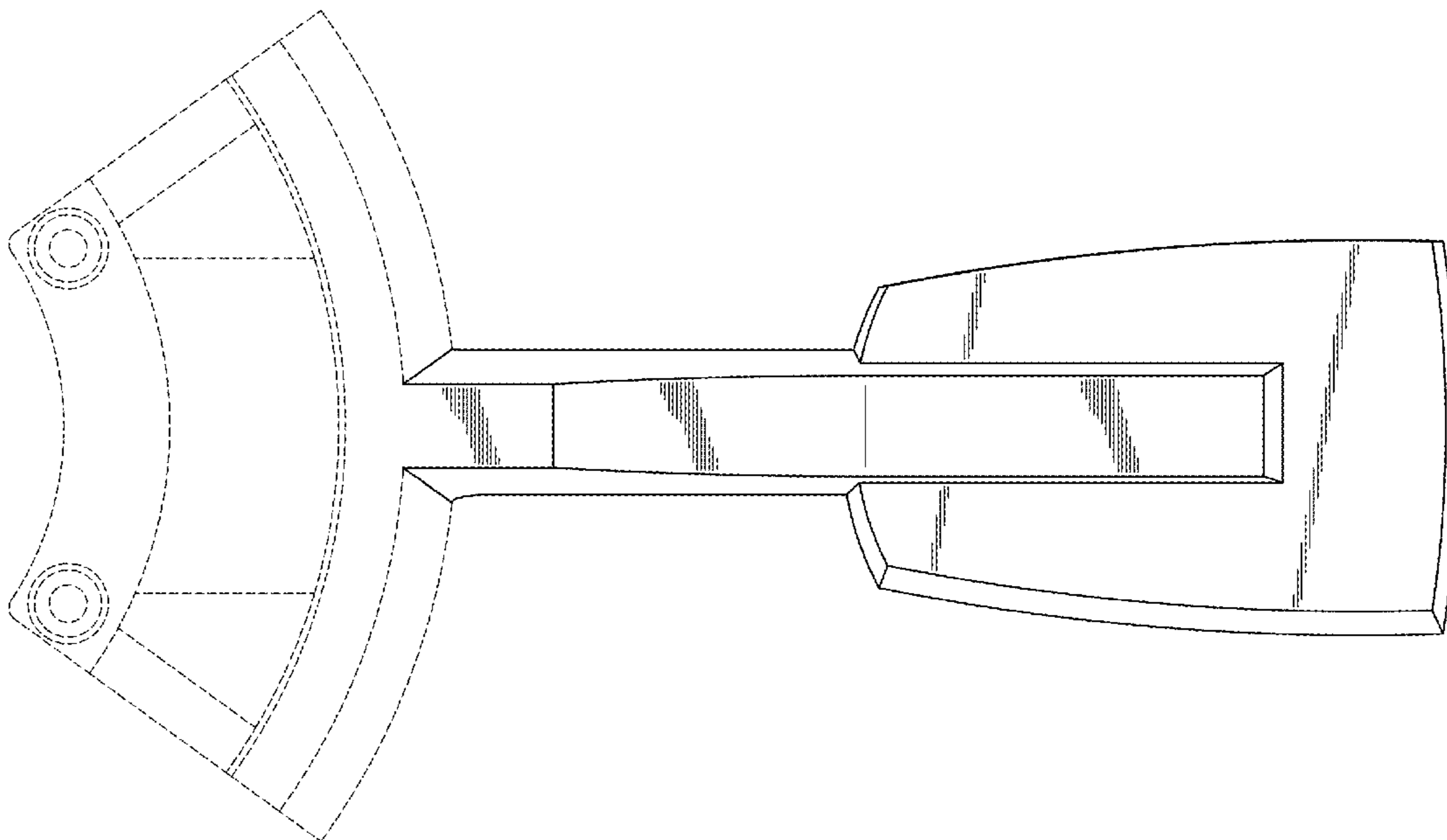
**DESCRIPTION**

FIG. 1 is a perspective view of the present design;  
FIG. 2 is a front view of the present design;  
FIG. 3 is a rear view of the present design;  
FIG. 4 is a left side view of the present design;  
FIG. 5 is a right side view of the present design;  
FIG. 6 is a top view of the present design; and,  
FIG. 7 is a bottom view of the present design.  
The broken lines showing structural features are for illustrative purposes only and form no part of the claimed design.

**1 Claim, 7 Drawing Sheets**

(56) **References Cited**  
U.S. PATENT DOCUMENTS

D406,332 S *	3/1999	Liu	.....	D23/377
D525,700 S *	7/2006	Ertze	.....	D23/411
D532,104 S *	11/2006	Pickett	.....	D23/411
D551,337 S *	9/2007	Pickett	.....	D23/411
D568,983 S *	5/2008	Pan	.....	D23/411
D581,512 S *	11/2008	Hidalgo	.....	D23/411
D581,515 S *	11/2008	Pickett	.....	D23/411
D594,549 S *	6/2009	Pan	.....	D23/411



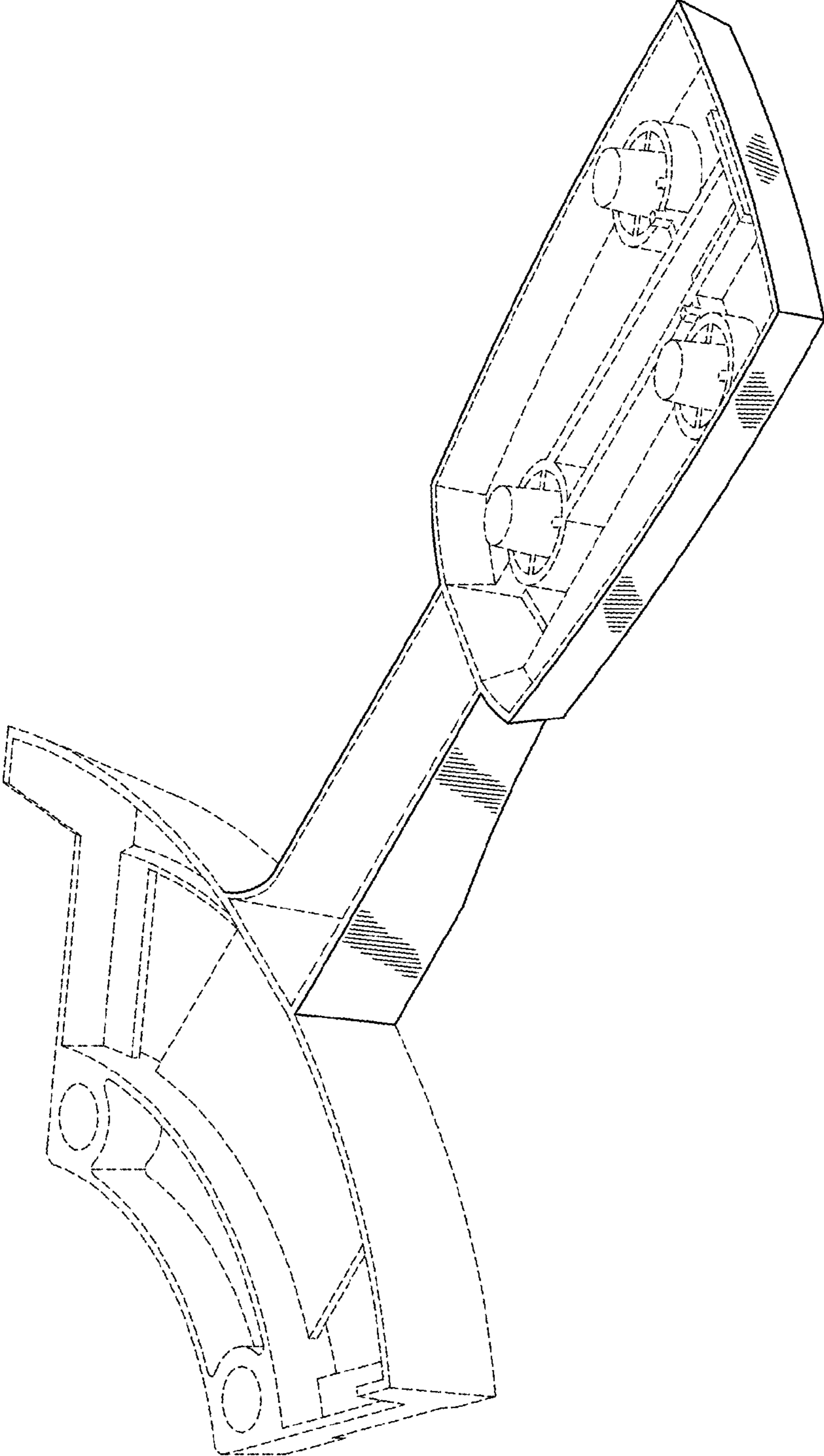


FIG. 1

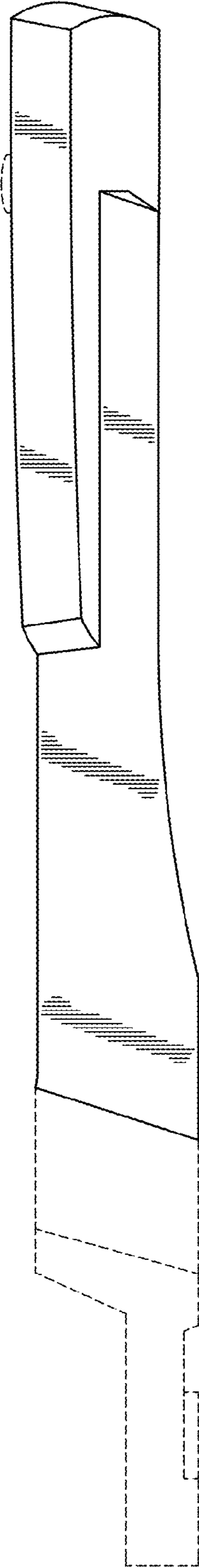


FIG. 2

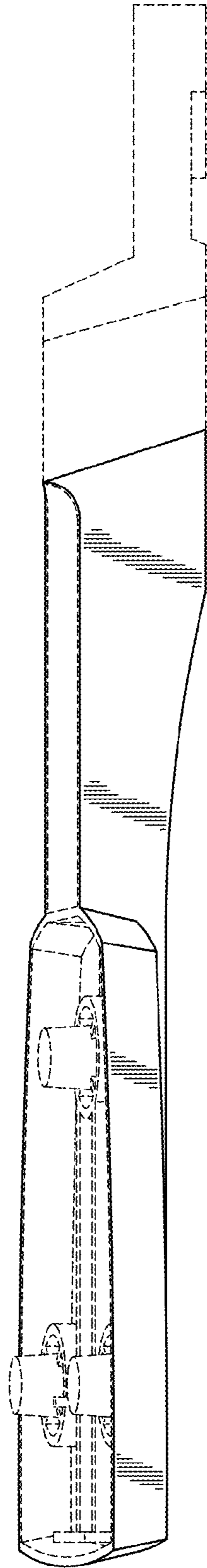


FIG. 3

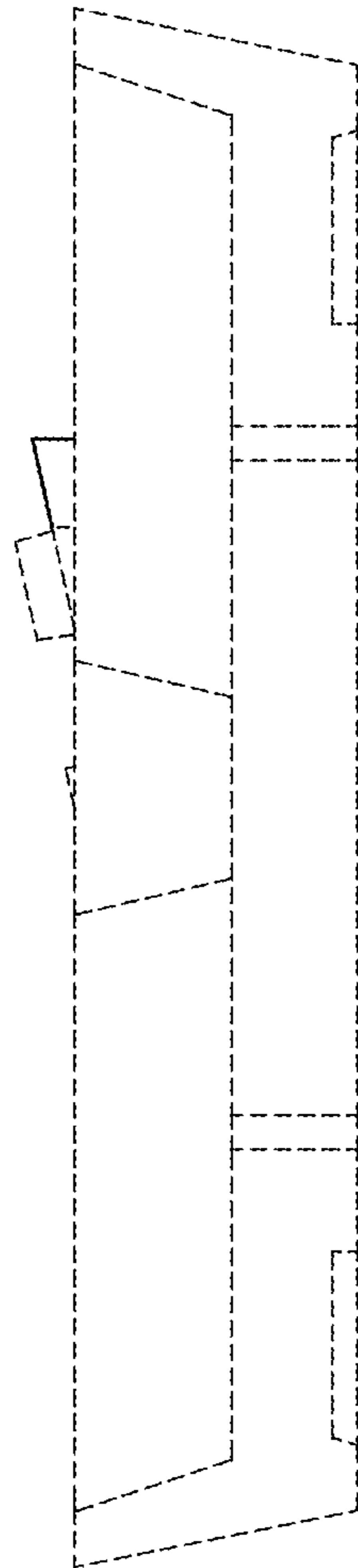


FIG. 4

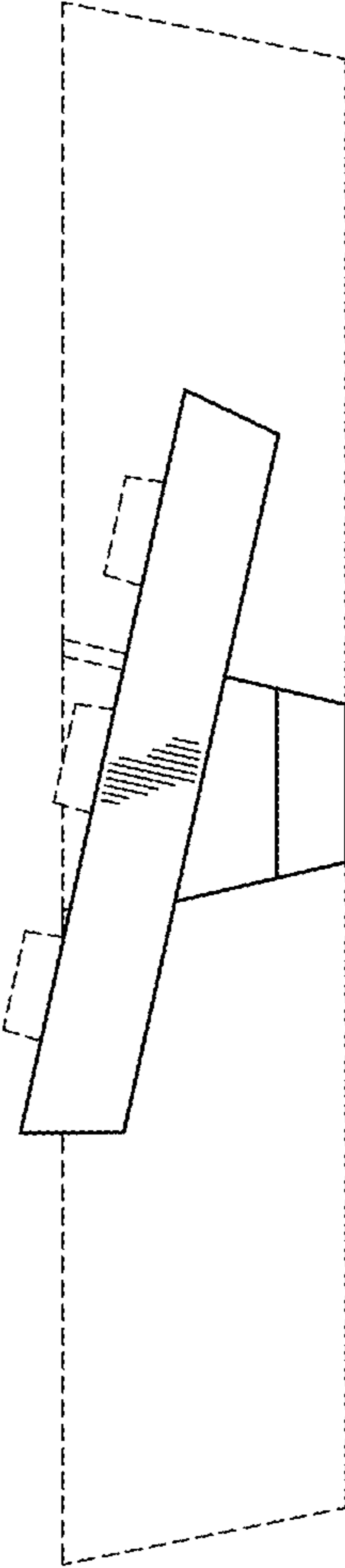


FIG. 5

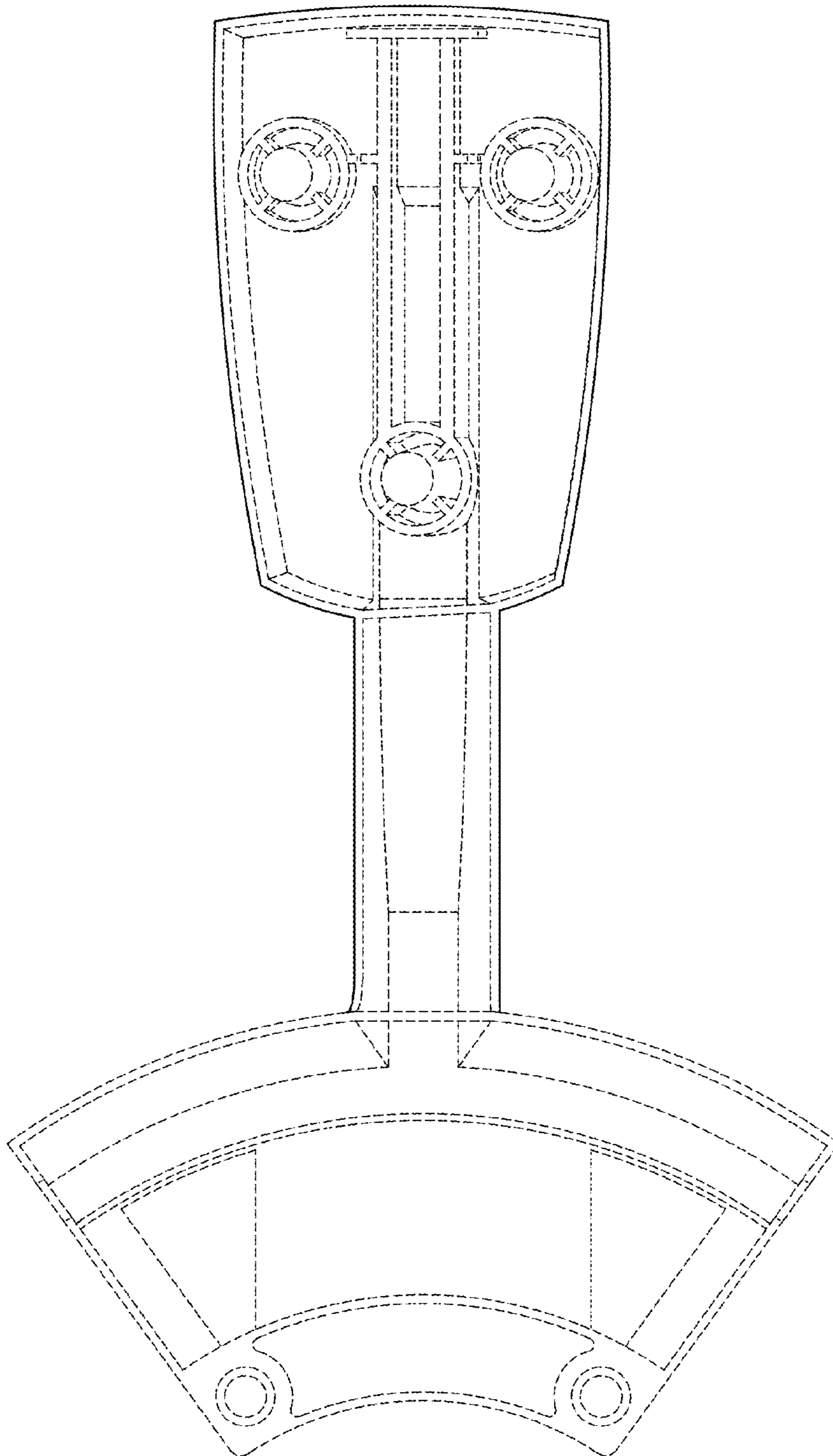


FIG. 6

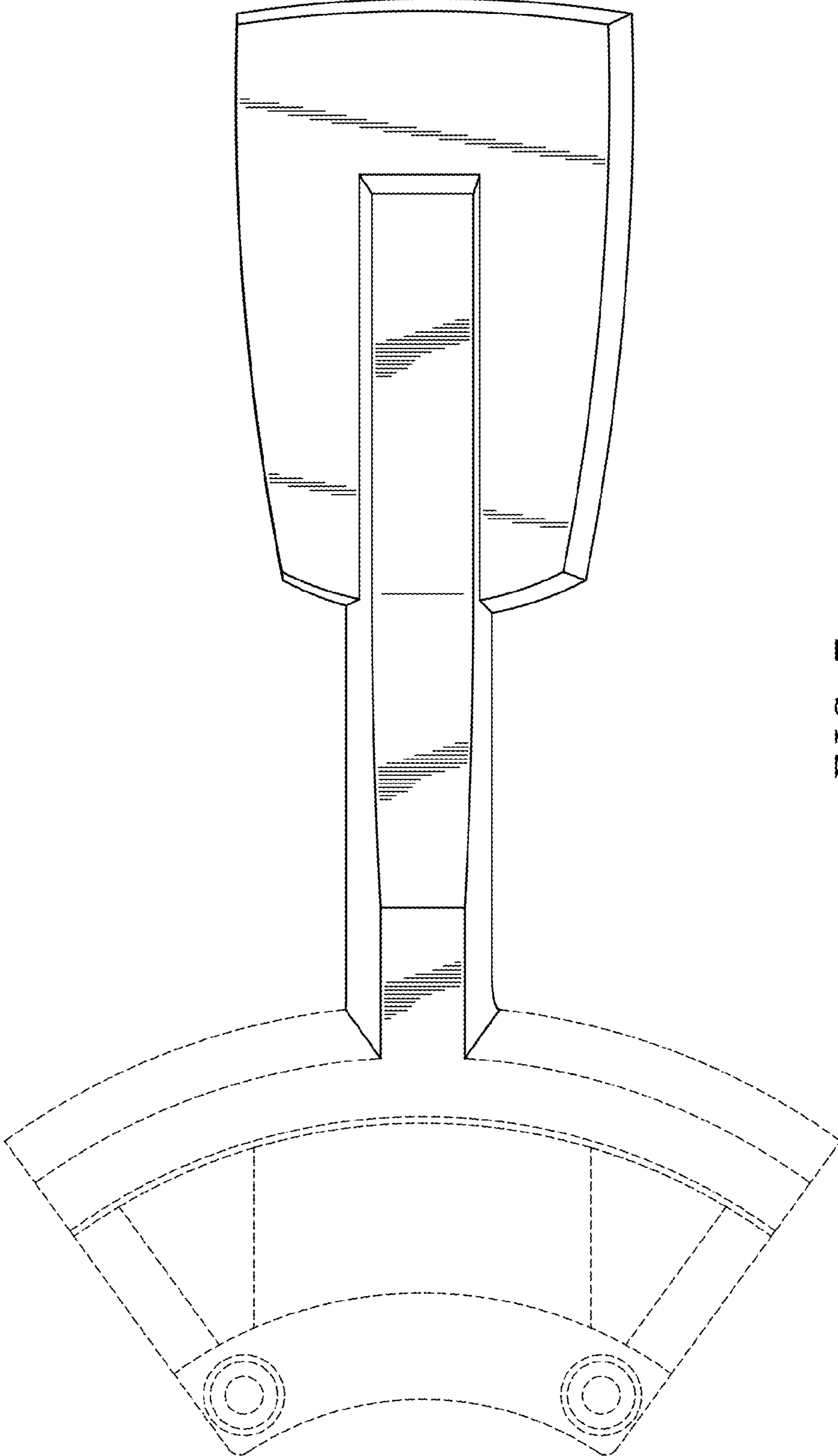


FIG. 7