



US00D745959S

(12) **United States Design Patent**
Ertze

(10) **Patent No.:** **US D745,959 S**
(45) **Date of Patent:** **** Dec. 22, 2015**

(54) **CEILING FAN MOTOR HOUSING AND LIGHT COMPONENT**

(71) Applicant: **YOUNGO LIMITED**, Central (HK)

(72) Inventor: **Pablo J. Ertze**, Ontario, CA (US)

(73) Assignee: **YOUNGO LIMITED**, Central (HK)

(**) Term: **14 Years**

(21) Appl. No.: **29/501,119**

(22) Filed: **Sep. 2, 2014**

(51) **LOC (10) Cl.** **23-04**

(52) **U.S. Cl.**
USPC **D23/411**

(58) **Field of Classification Search**
USPC D23/370–385, 411–414, 59;
392/360–364
CPC F04D 29/34; F04D 29/38; F04D 25/088
See application file for complete search history.

(56) **References Cited**

U.S. PATENT DOCUMENTS

D312,689 S * 12/1990 Weatherford D23/377
D328,785 S * 8/1992 Markwardt D23/377
5,839,881 A * 11/1998 Yu F04D 25/088

277/630
6,022,189 A * 2/2000 Yu F04D 25/088
416/170 R
D556,930 S * 12/2007 Ertze D26/59
D627,869 S * 11/2010 Pan D23/377
7,862,581 B2 * 1/2011 Zeiner A61B 17/00491
606/207
D702,337 S * 4/2014 Wang D23/385
D705,970 S * 5/2014 Ertze D26/59
D706,477 S * 6/2014 Wang D26/59

* cited by examiner

Primary Examiner — Sandra Snapp

(74) *Attorney, Agent, or Firm* — Bruce Stone LLP; Joseph Bruce

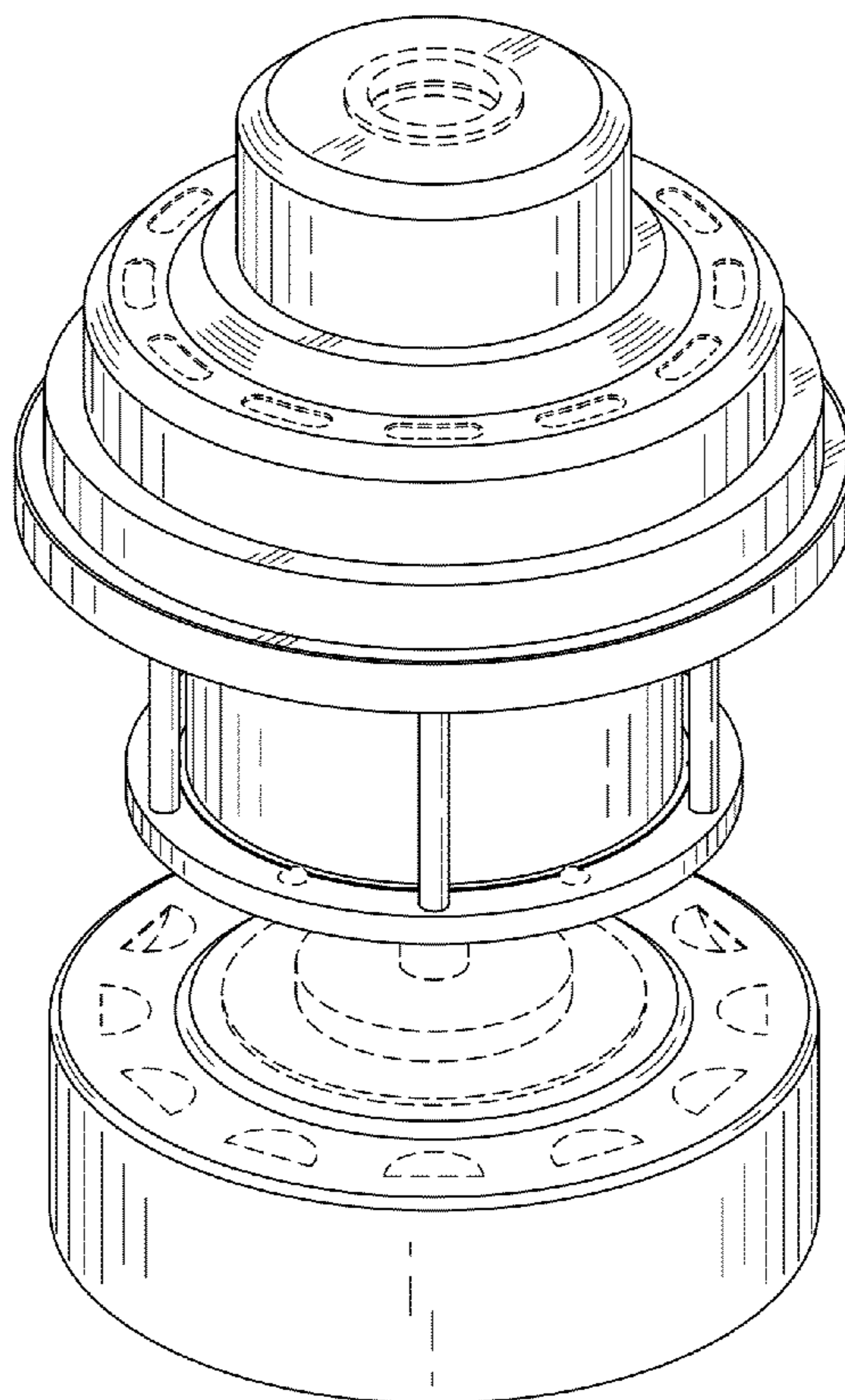
(57) **CLAIM**

The ornamental design for a ceiling fan motor housing and light component, as shown and described.

DESCRIPTION

FIG. 1 is a perspective view of the present design;
FIG. 2 is a front view of the present design;
FIG. 3 is a rear view of the present design;
FIG. 4 is a left side view of the present design;
FIG. 5 is a right side view of the present design;
FIG. 6 is a top view of the present design; and,
FIG. 7 is a bottom view of the present design.
The broken lines showing structural features are for illustrative purposes only and form no part of the claimed design.

1 Claim, 6 Drawing Sheets



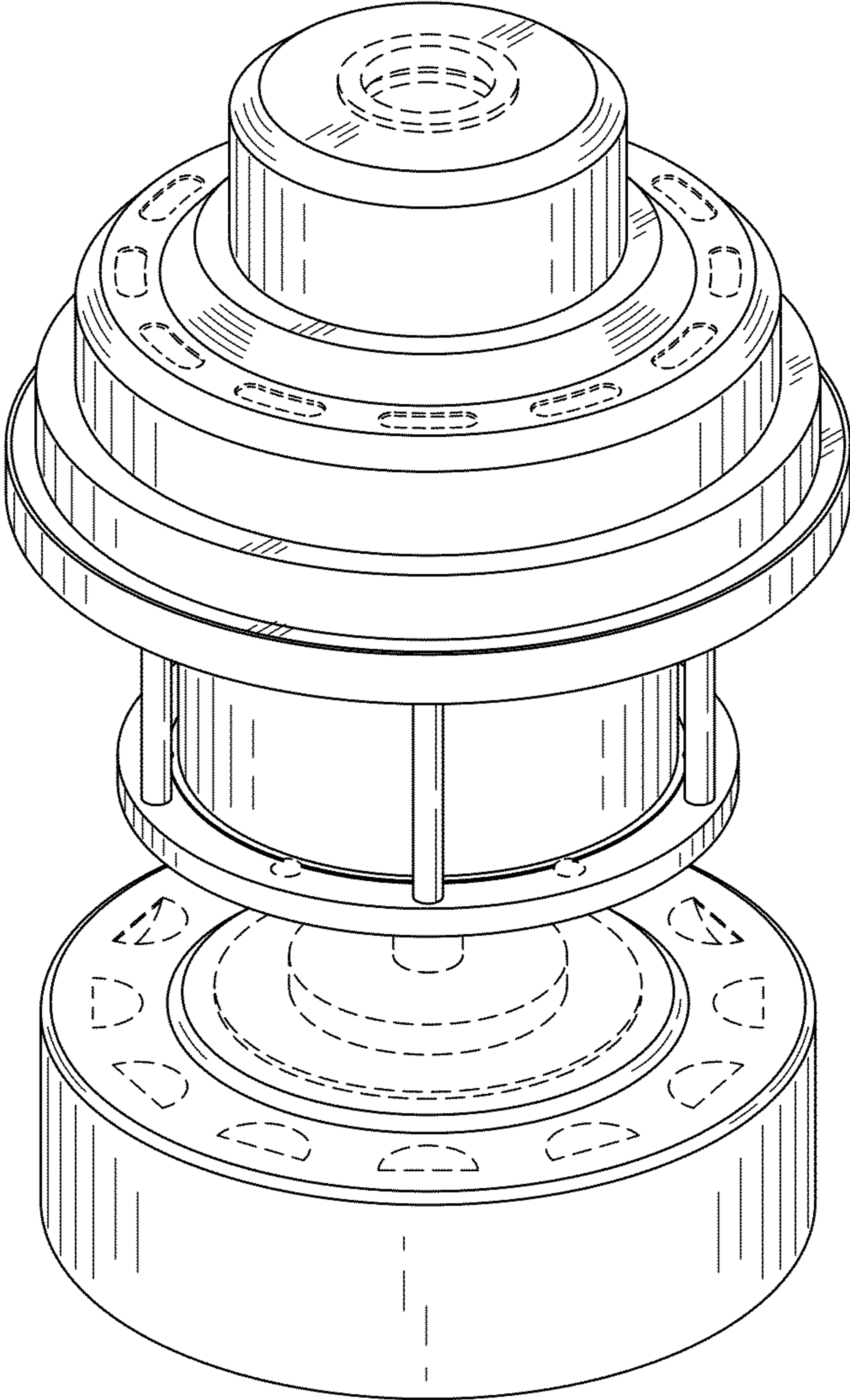


FIG. 1

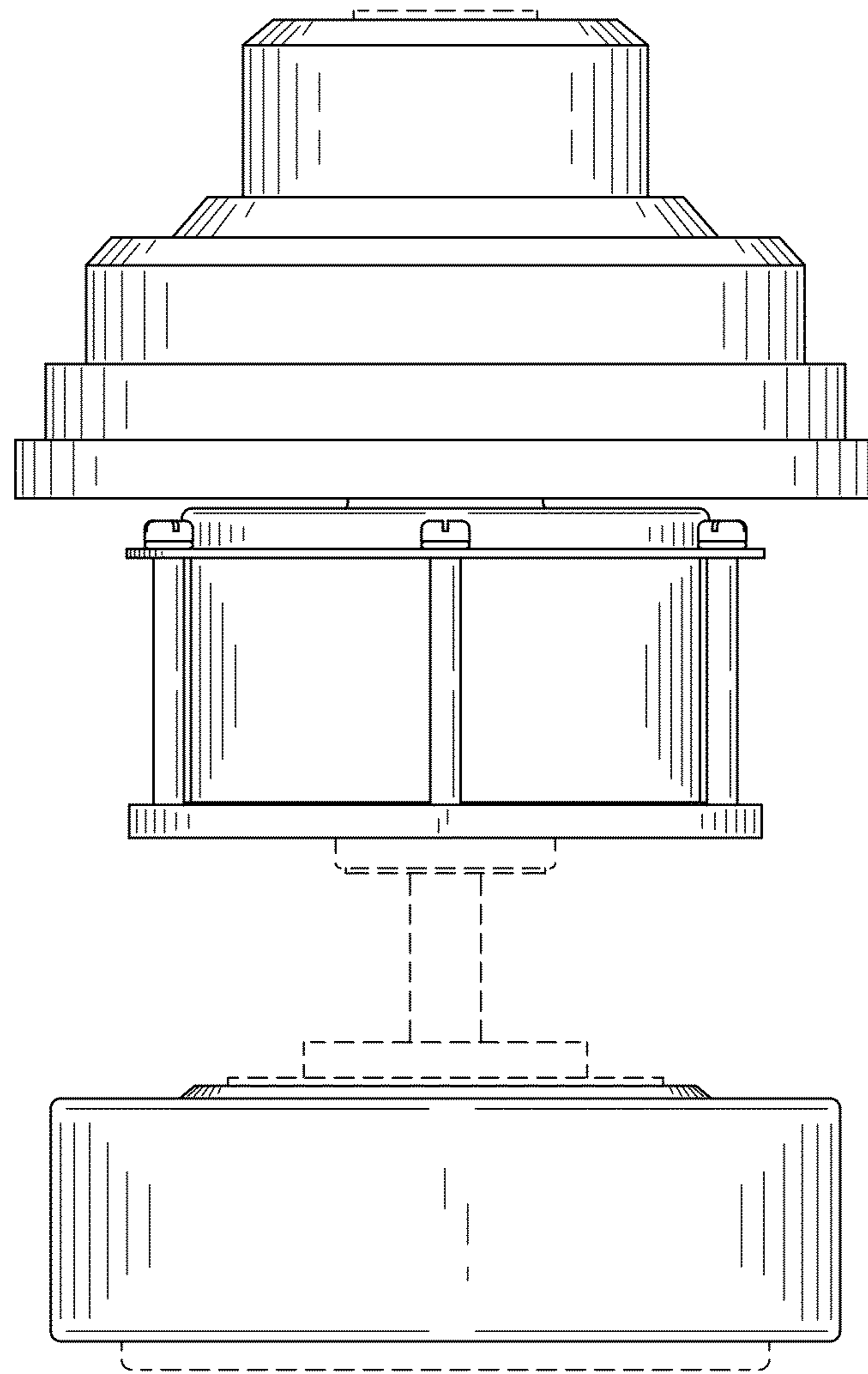


FIG. 2

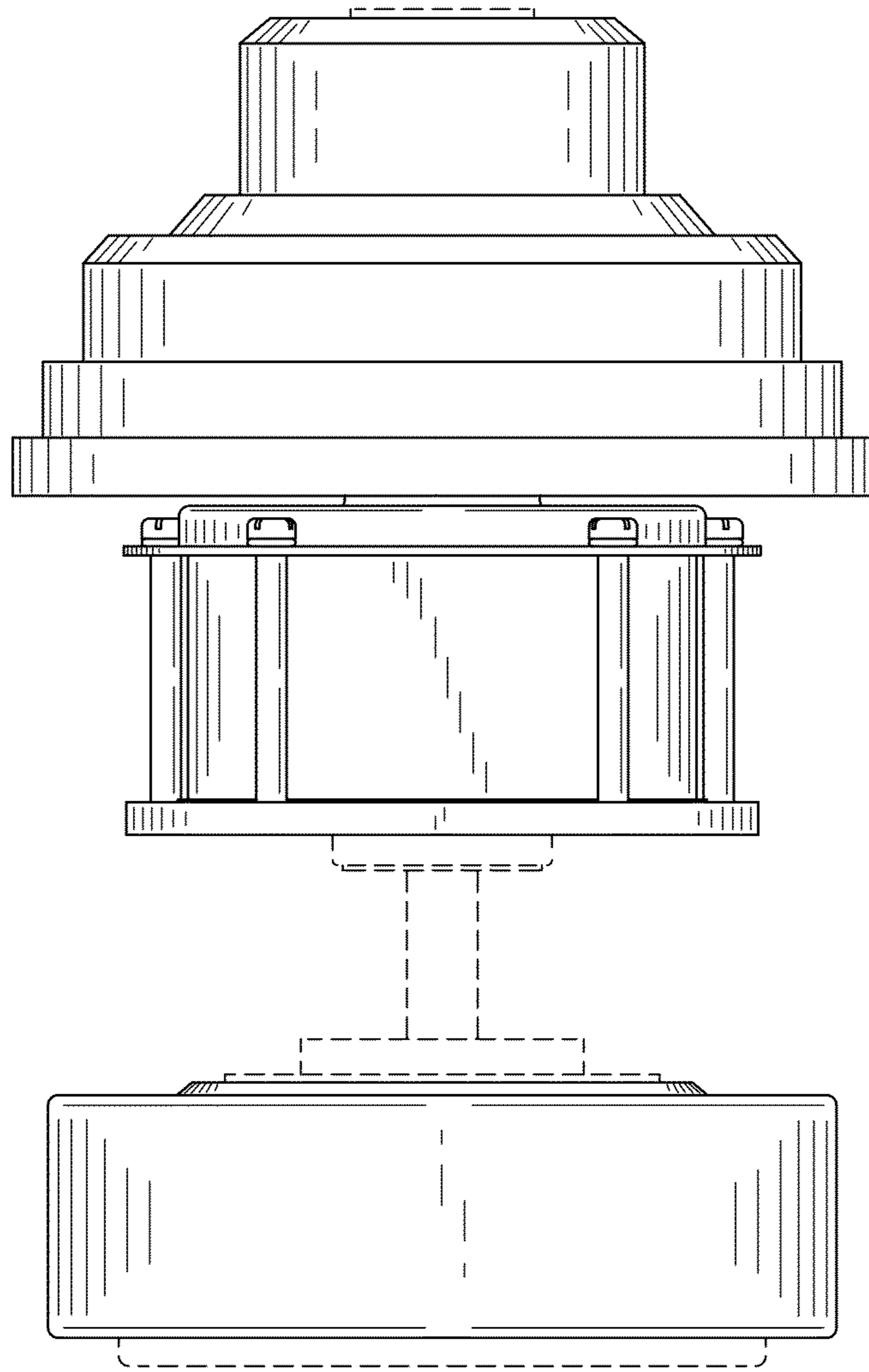


FIG. 3

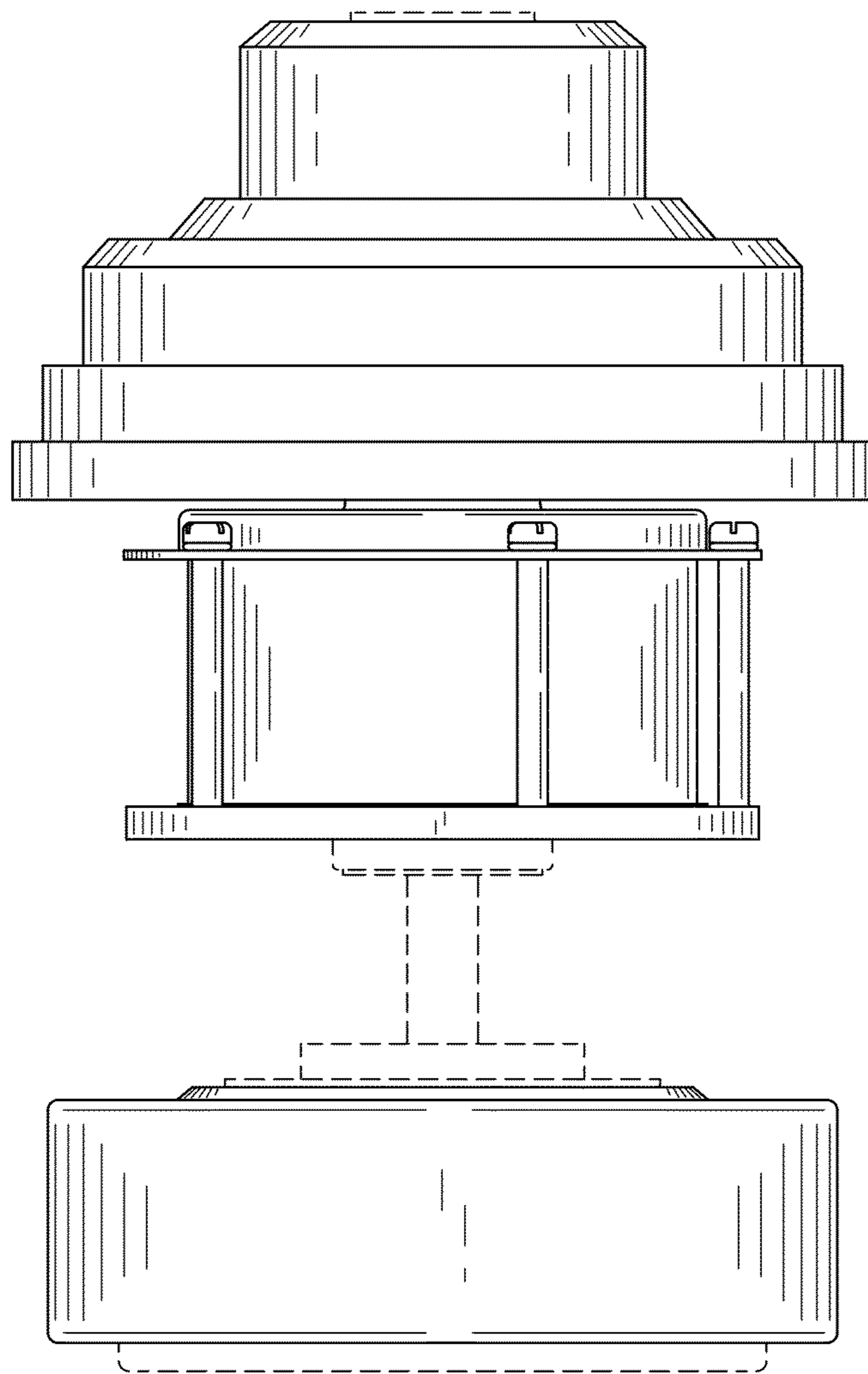


FIG. 4

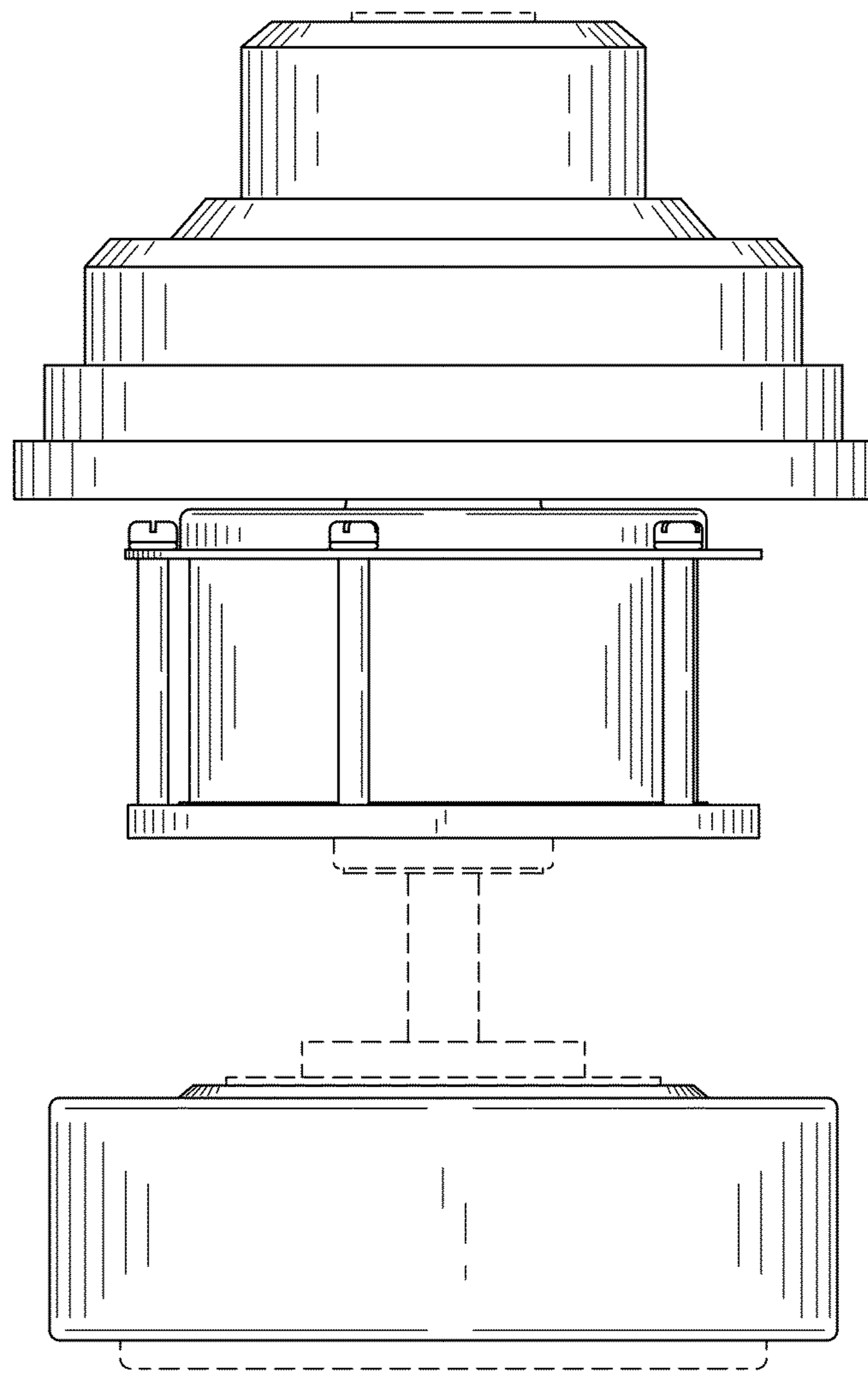


FIG. 5

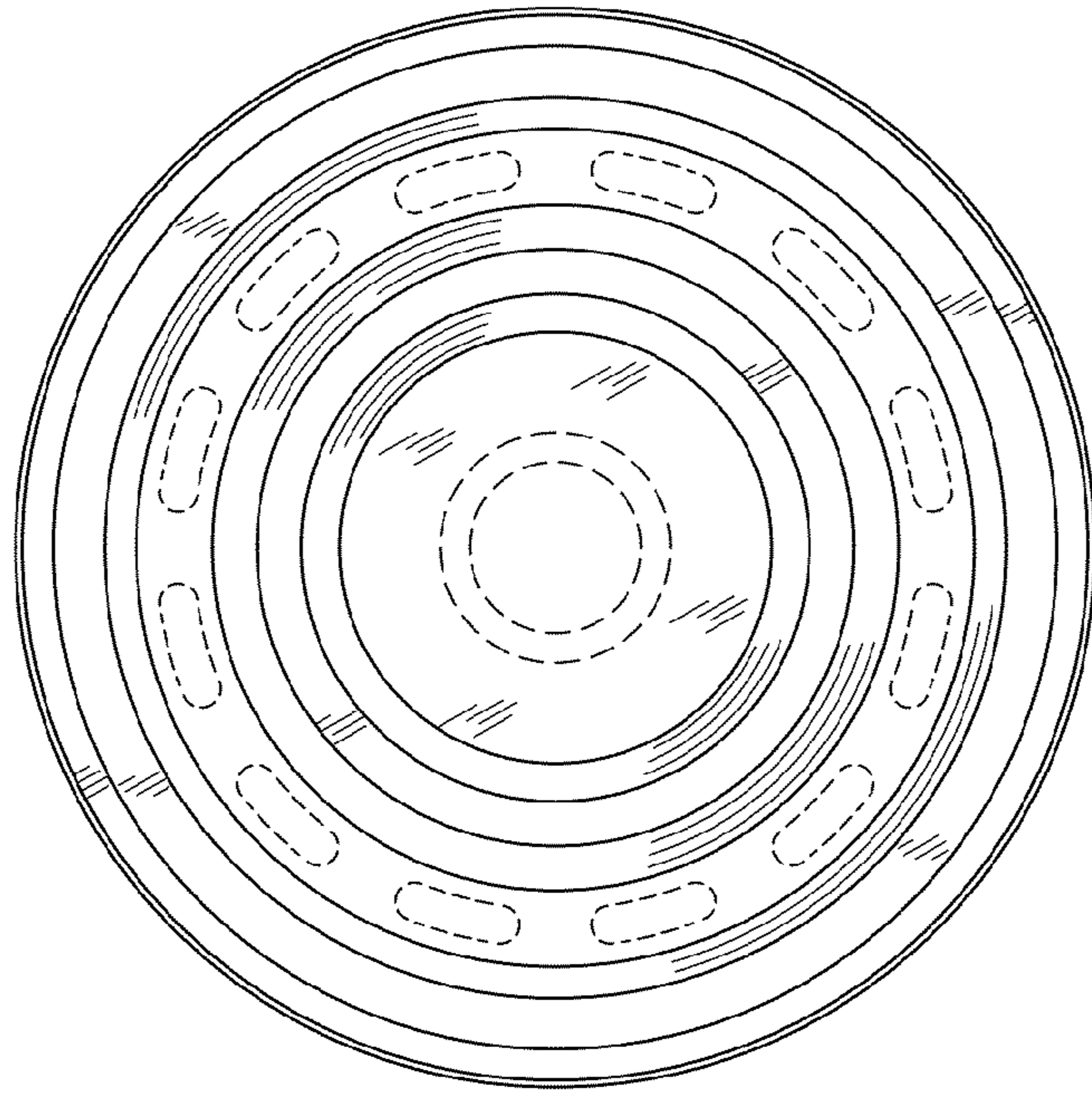


FIG. 6

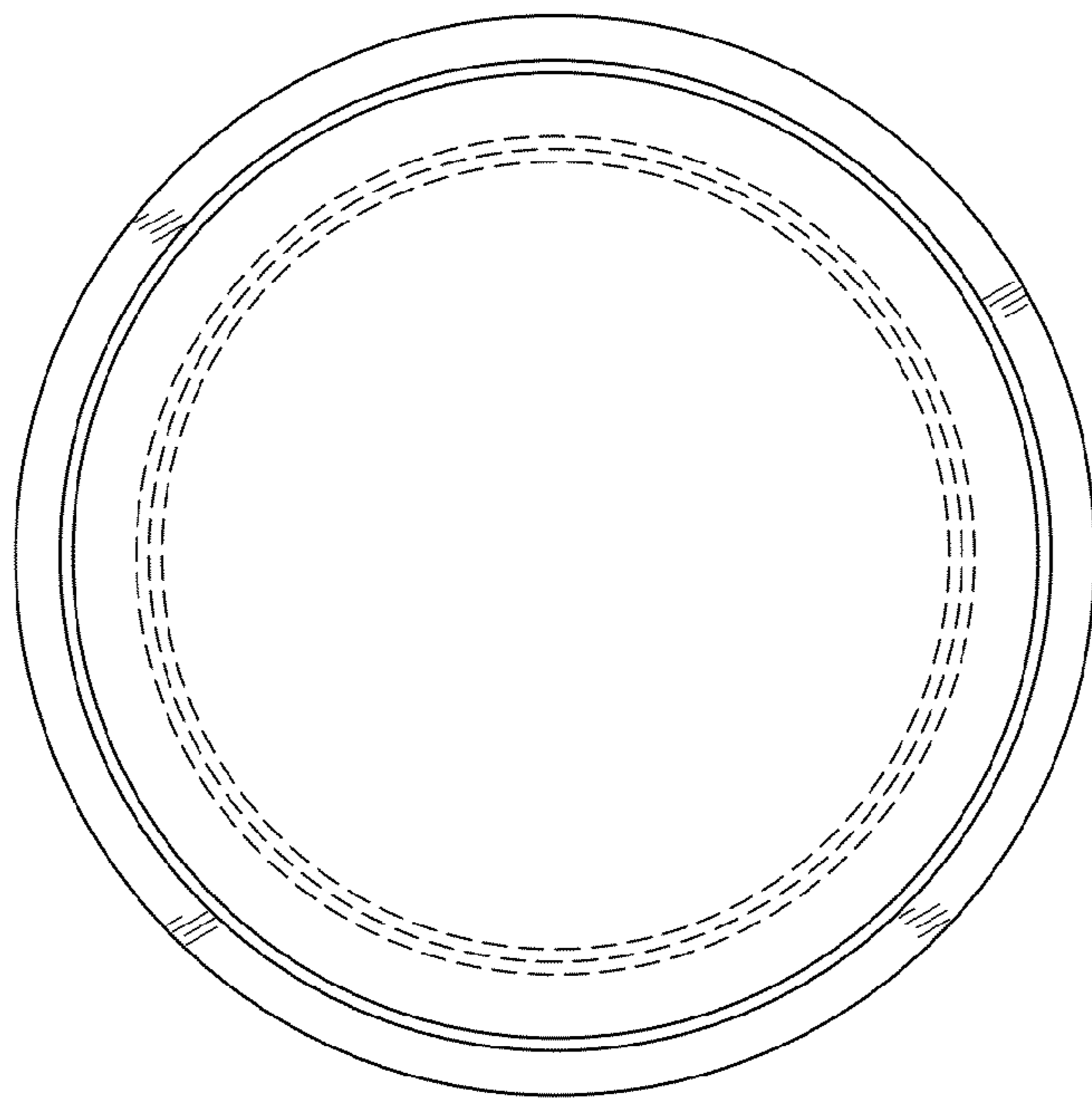


FIG. 7