



US00D745956S

(12) **United States Design Patent**
Ertze

(10) **Patent No.:** **US D745,956 S**

(45) **Date of Patent:** **** Dec. 22, 2015**

(54) **CEILING FAN**

(71) Applicant: **YOUNGO LIMITED**, Central (HK)

(72) Inventor: **Pablo J. Ertze**, Ontario, CA (US)

(73) Assignee: **YOUNGO LIMITED**, Central (HK)

(**) Term: **14 Years**

(21) Appl. No.: **29/501,116**

(22) Filed: **Sep. 2, 2014**

(51) **LOC (10) Cl.** **23-04**

(52) **U.S. Cl.**
USPC **D23/385**

(58) **Field of Classification Search**
USPC D23/370–385, 411–414, 59;
392/360–364
CPC F04D 29/34; F04D 29/38; F04D 25/088
See application file for complete search history.

(56) **References Cited**

U.S. PATENT DOCUMENTS

D304,229 S	*	10/1989	Rezek	D23/377
D323,028 S	*	1/1992	Holbrook	D23/377
D345,790 S	*	4/1994	Caldwell	D23/377
5,330,323 A	*	7/1994	Swanson	F04D 29/34

					416/204 R
D427,672 S	*	7/2000	Lee	D23/377
D614,757 S	*	4/2010	Noble	D23/377
D671,203 S	*	11/2012	Wang	D23/377
D715,418 S	*	10/2014	Schulzman	D23/377
D716,438 S	*	10/2014	Liu	D23/377
D721,429 S	*	1/2015	Busta	D23/377
D721,800 S	*	1/2015	Busta	D23/413
D726,297 S	*	4/2015	Liu	D23/377

* cited by examiner

Primary Examiner — Sandra Snapp

(74) *Attorney, Agent, or Firm* — Bruce Stone LLP; Joseph Bruce

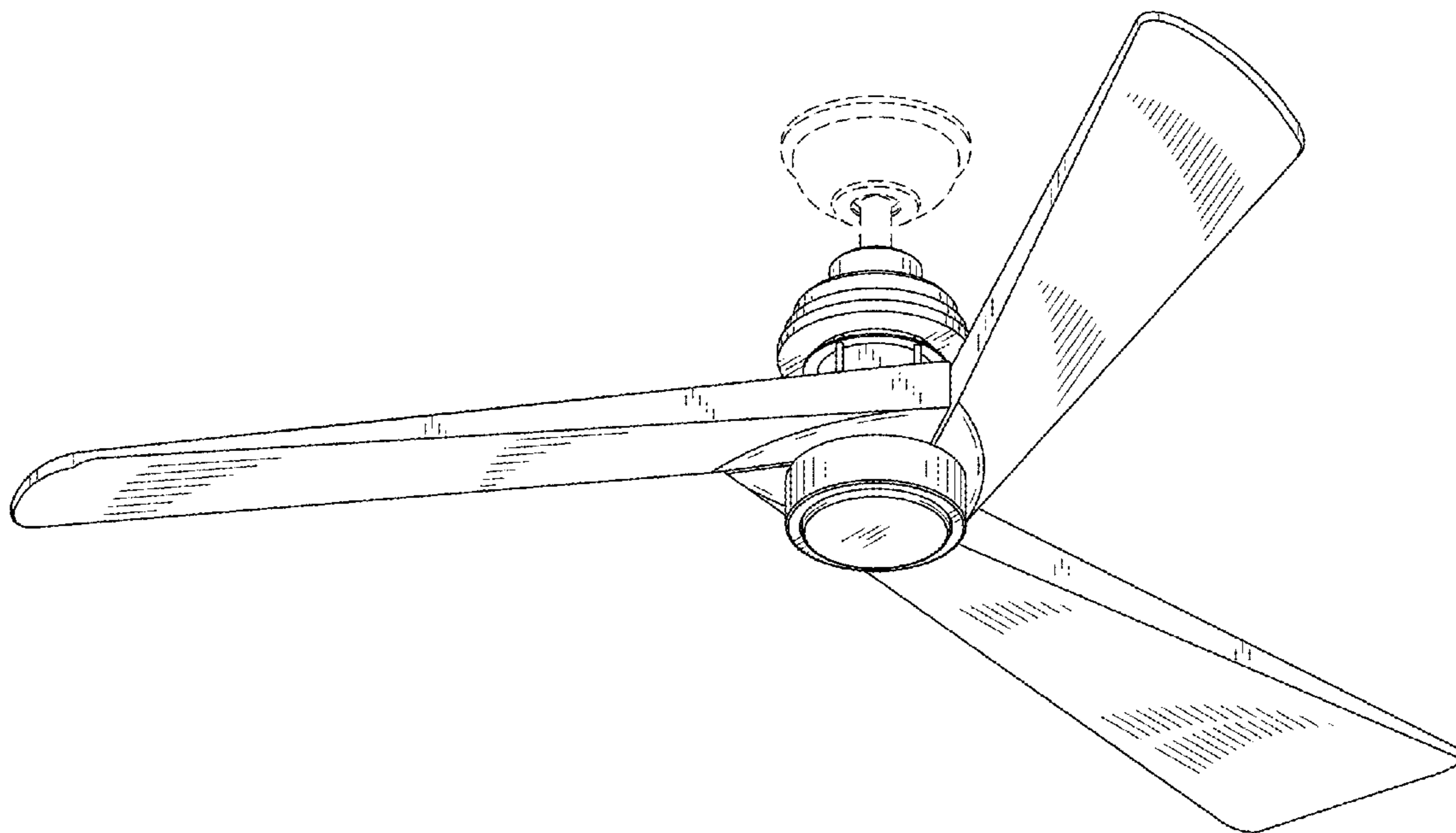
(57) **CLAIM**

The ornamental design for a ceiling fan, as shown and described.

DESCRIPTION

FIG. 1 is a perspective view of the present design;
FIG. 2 is a front view of the present design;
FIG. 3 is a rear view of the present design;
FIG. 4 is a left side view of the present design;
FIG. 5 is a right side view of the present design;
FIG. 6 is a top view of the present design; and,
FIG. 7 is a bottom view of the present design.
The broken lines showing structural features are for illustrative purposes only and form no part of the claimed design.

1 Claim, 5 Drawing Sheets



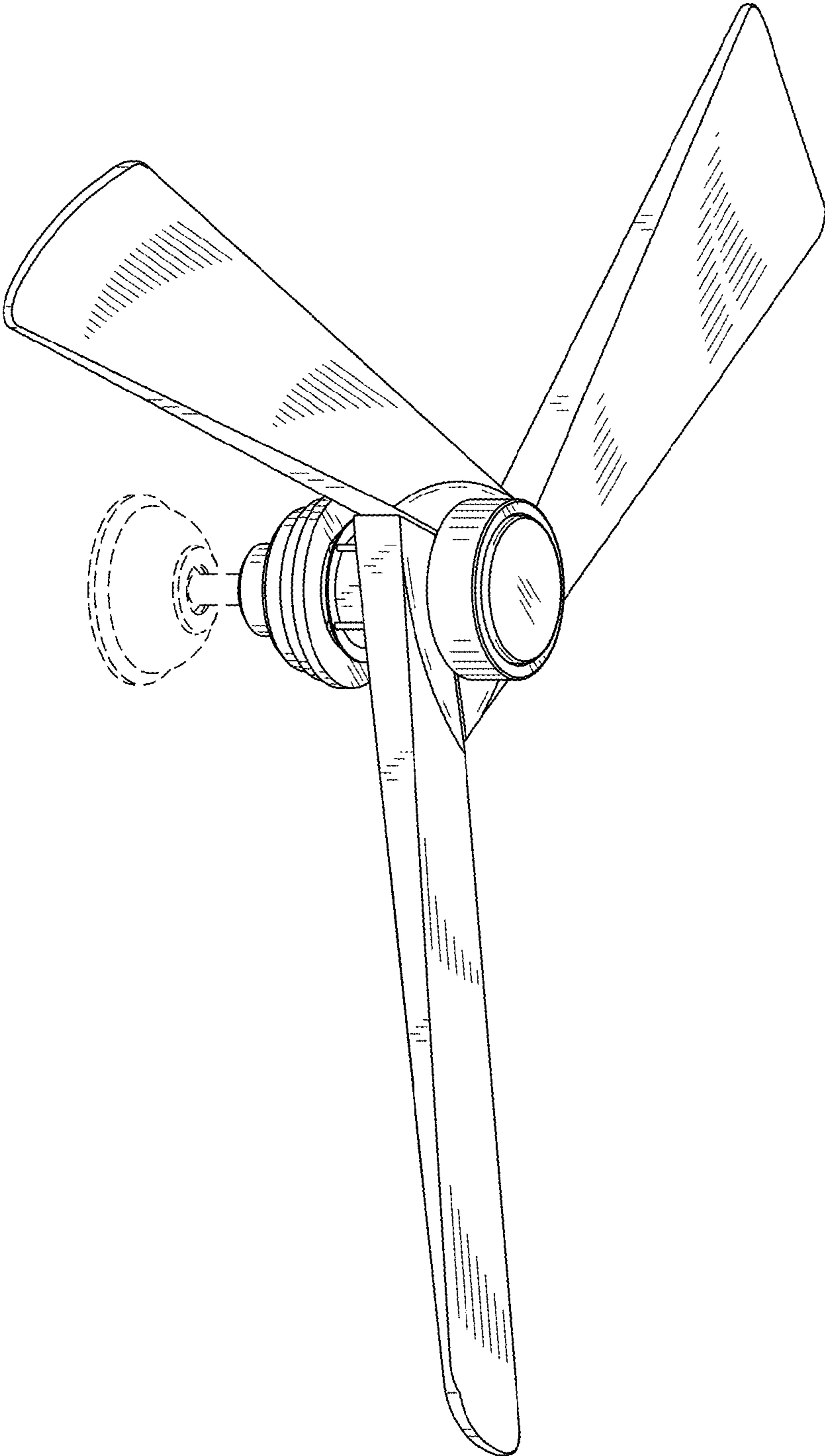


FIG. 1

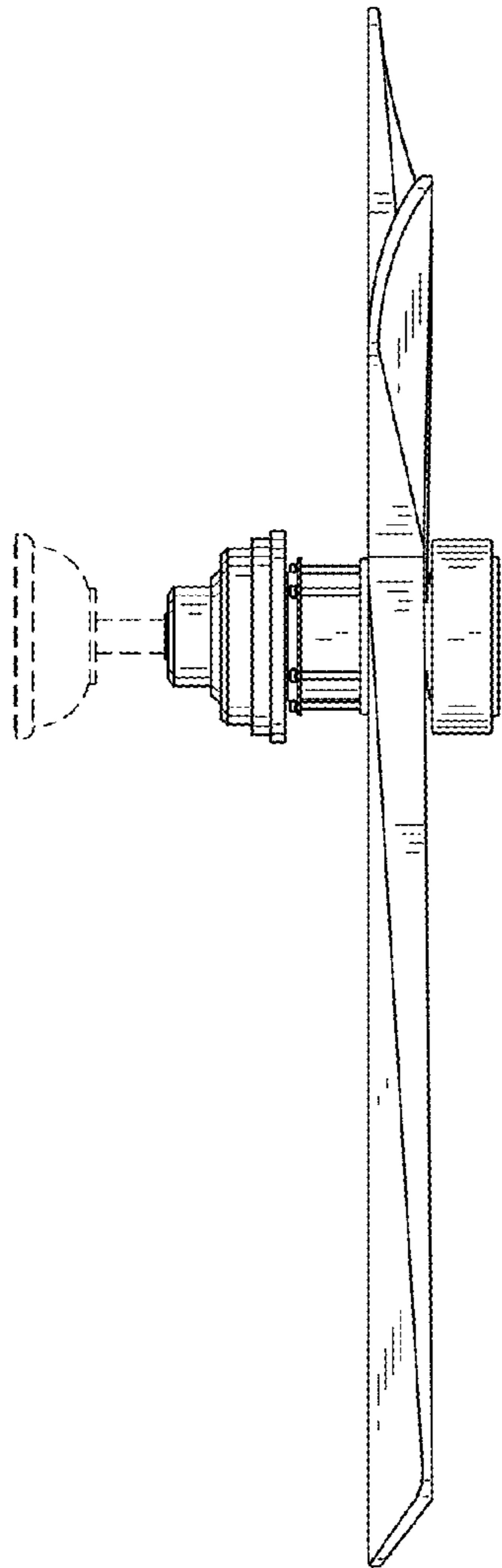


FIG. 2

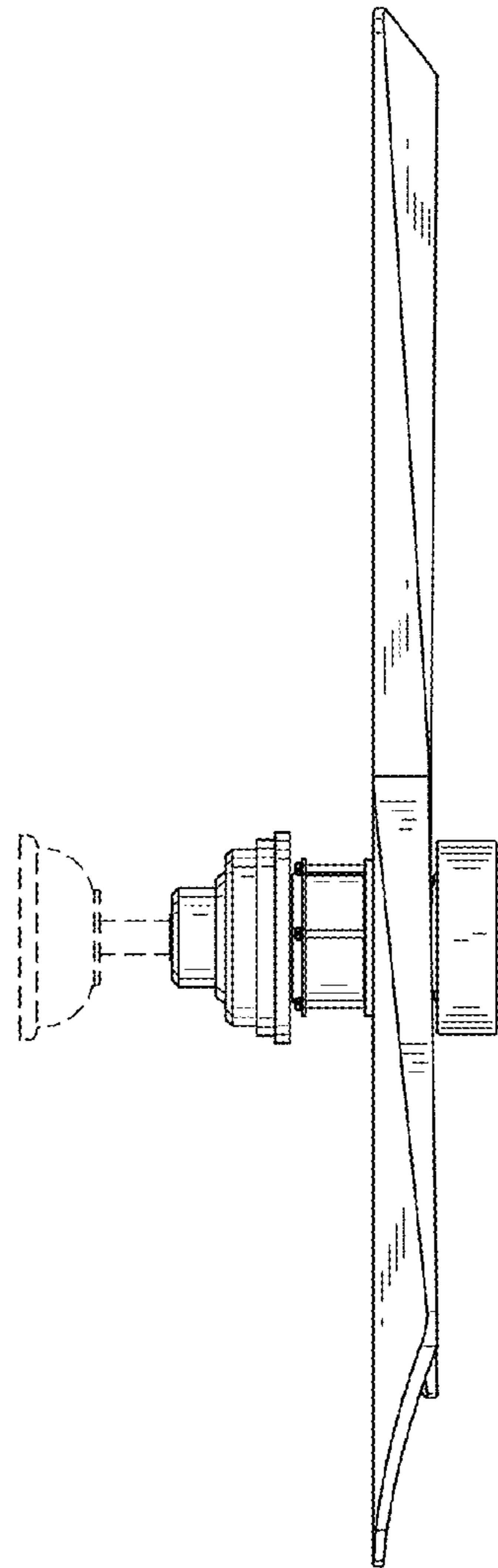


FIG. 3

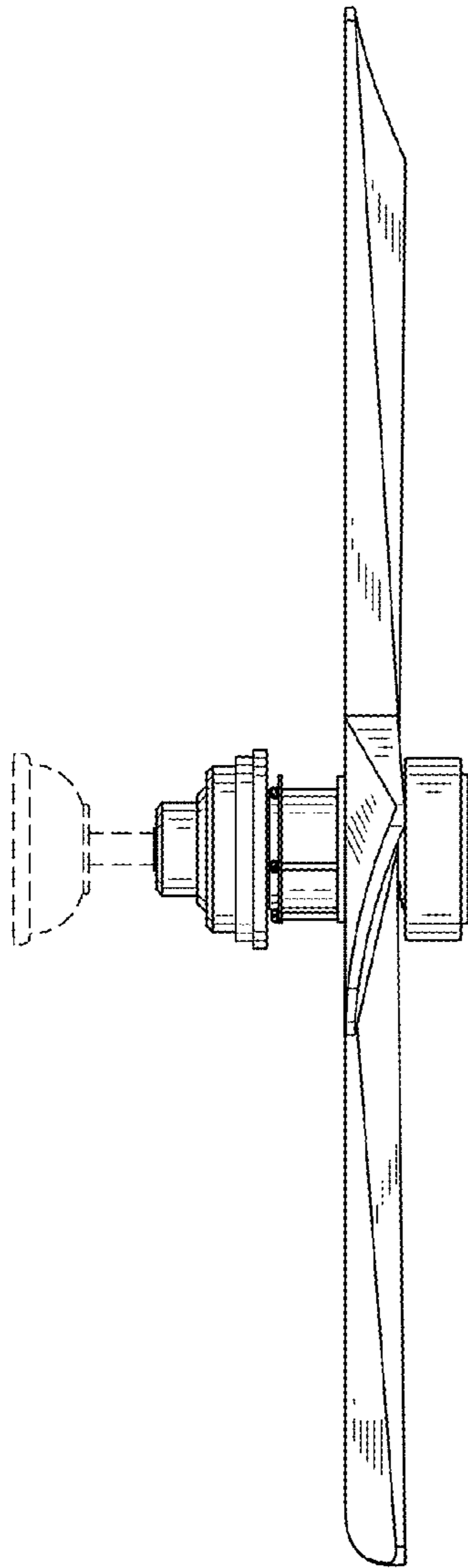


FIG. 4

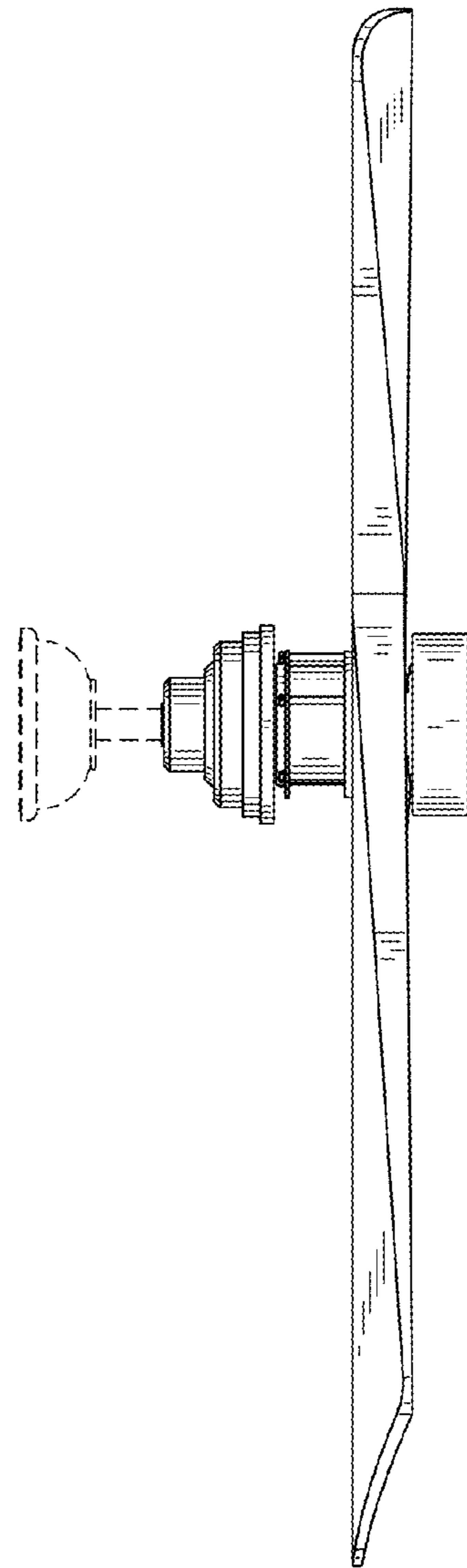


FIG. 5

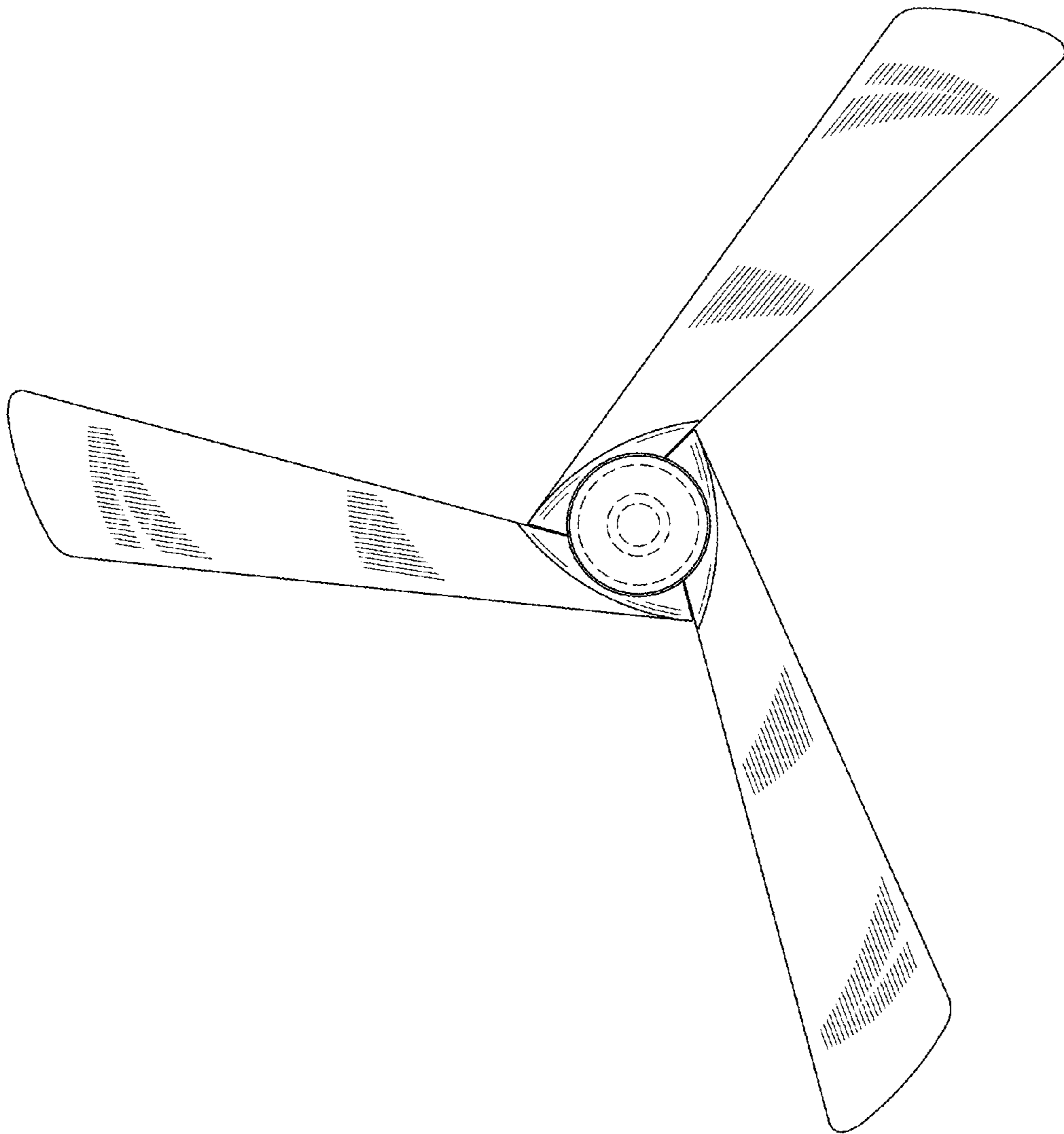


FIG. 6

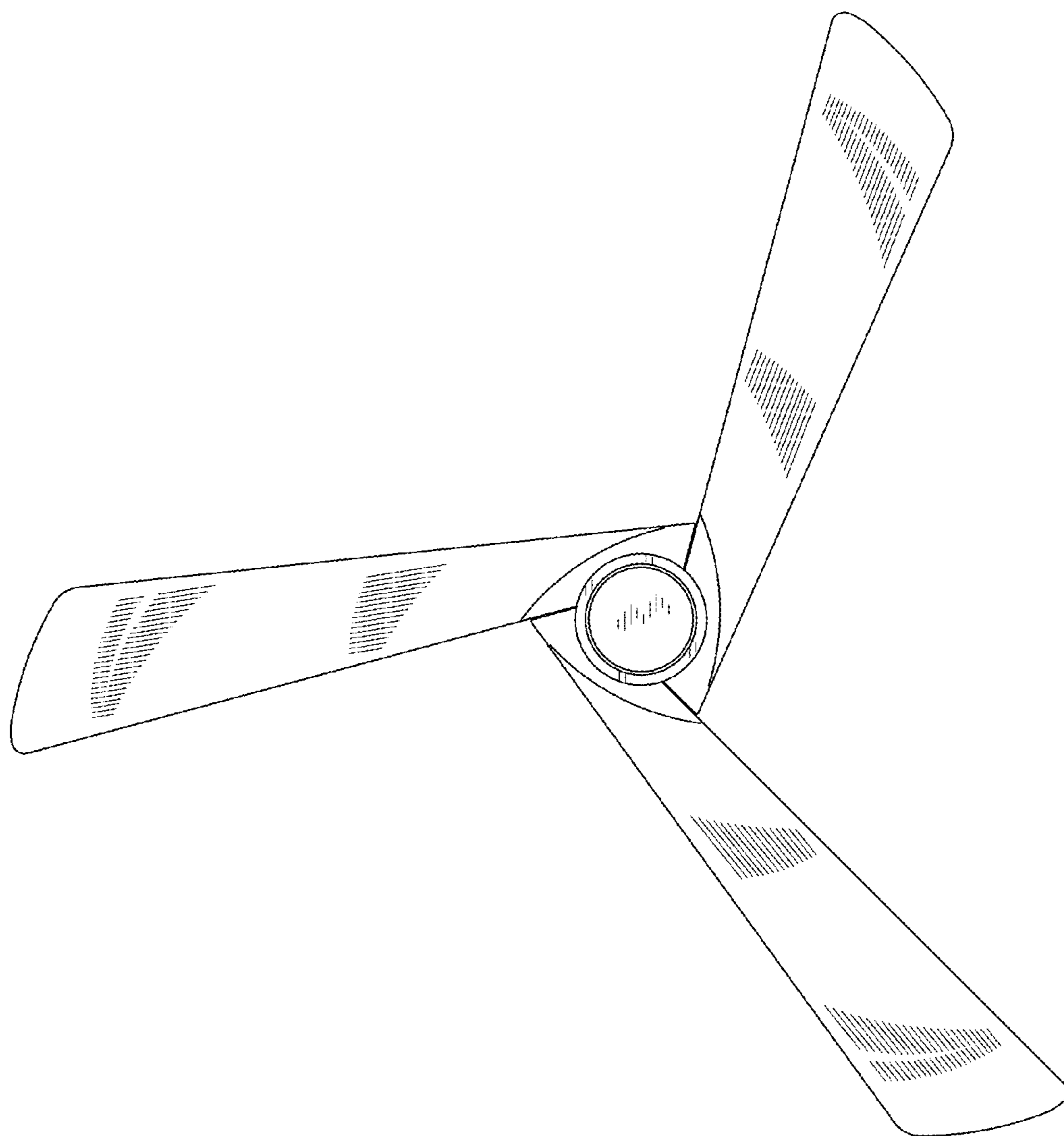


FIG. 7