



US00D745955S

(12) **United States Design Patent**
Chen et al.

(10) **Patent No.:** **US D745,955 S**
(45) **Date of Patent:** **** Dec. 22, 2015**

(54) **FAN IMPELLER**

(71) Applicant: **Delta Electronics, Inc.**, Taoyuan Hsien (TW)

(72) Inventors: **Shih-Chou Chen**, Taoyuan Hsien (TW);
Chao-Wen Lu, Taoyuan Hsien (TW)

(73) Assignee: **DELTA ELECTRONICS, INC.**,
Taoyuan Hsien (TW)

(**) Term: **14 Years**

(21) Appl. No.: **29/482,170**

(22) Filed: **Feb. 14, 2014**

Related U.S. Application Data

(62) Division of application No. 29/443,864, filed on Jan. 23, 2013, now Pat. No. Des. 702,829.

(30) **Foreign Application Priority Data**

Oct. 26, 2012 (TW) 101306336
Nov. 14, 2012 (TW) 101306336U01

(51) **LOC (10) Cl.** **23-04**

(52) **U.S. Cl.**
USPC **D23/379**; D13/179

(58) **Field of Classification Search**
USPC D23/370–385, 411–414, 365, 364;
415/60, 66, 68, 208.1, 213.1, 214.1;
310/257; 361/695; 126/299 D, 299 R;
D26/51, 72, 73; D32/15, 16; 416/189;
D13/179
CPC F04D 29/44; F04D 29/30
See application file for complete search history.

(56) **References Cited**

U.S. PATENT DOCUMENTS

D563,544	S	*	3/2008	Hwang et al.	D23/413
D574,077	S	*	7/2008	Horng et al.	D23/379
D575,749	S	*	8/2008	Hwang et al.	D13/179
D577,807	S	*	9/2008	Kenyon et al.	D23/379
D579,883	S	*	11/2008	Hwang et al.	D13/179
D630,721	S	*	1/2011	Kenyon et al.	D23/379
7,997,871	B2	*	8/2011	Hwang et al.	416/175
D645,950	S	*	9/2011	Kenyon et al.	D23/379
8,100,664	B2	*	1/2012	Hwang et al.	416/236 R
D694,874	S	*	12/2013	Lin et al.	D23/413
D699,835	S	*	2/2014	Kenyon et al.	D23/413
D701,300	S	*	3/2014	Tanabe et al.	D23/379
D702,829	S	*	4/2014	Chen et al.	D23/379
2007/0267172	A1	*	11/2007	Hwang et al.	165/80.3
2008/0011461	A1	*	1/2008	Hwang et al.	165/122
2008/0017358	A1	*	1/2008	Hwang et al.	165/122
2008/0117594	A1	*	5/2008	Hwang et al.	361/697
2008/0151500	A1	*	6/2008	Liang et al.	361/697
2010/0104449	A1	*	4/2010	Hwang et al.	416/241 R

* cited by examiner

Primary Examiner — Susan Bennett Hattan

Assistant Examiner — Janice Hallmark

(74) *Attorney, Agent, or Firm* — Muncy, Geissler, Olds & Lowe, P.C.

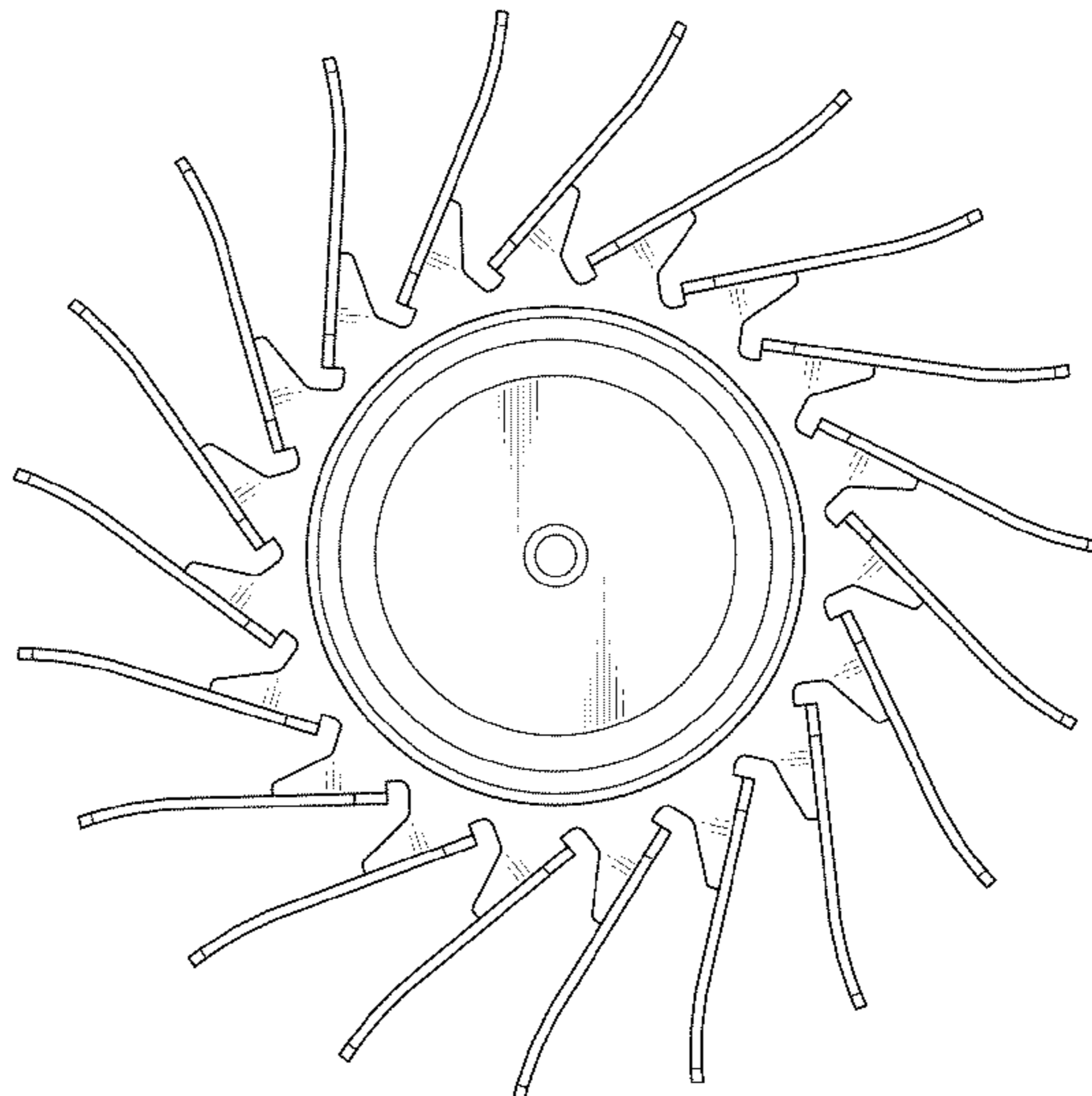
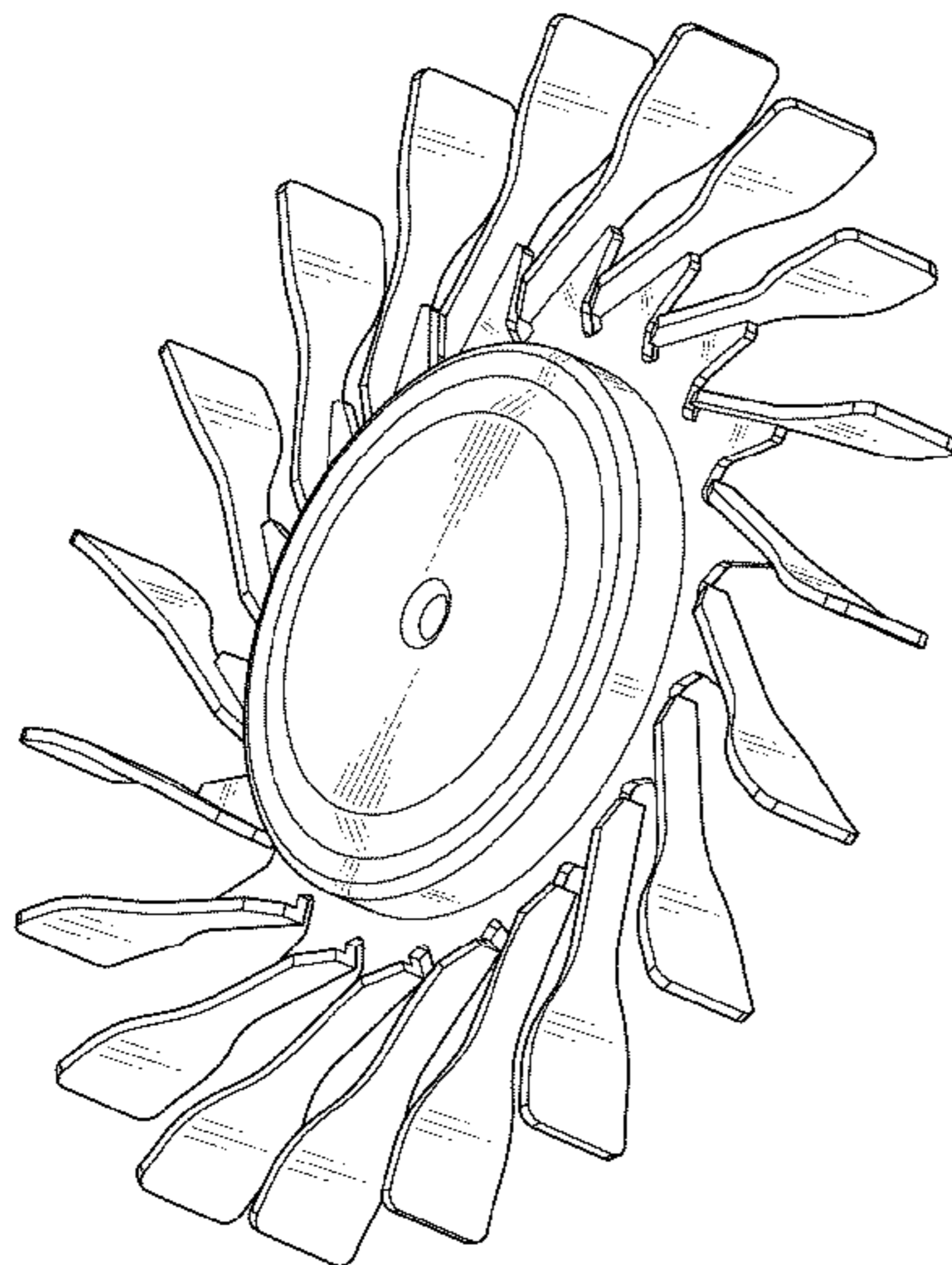
(57) **CLAIM**

The ornamental design for a fan impeller, as shown and described.

DESCRIPTION

FIG. 1 is a perspective view according to our new design;
FIG. 2 is a front elevational view thereof;
FIG. 3 is a rear elevational view thereof;
FIG. 4 is a left-side elevational view thereof;
FIG. 5 is a right-side elevational view thereof;
FIG. 6 is a top plan view thereof; and,
FIG. 7 is a bottom plan view thereof.

1 Claim, 5 Drawing Sheets



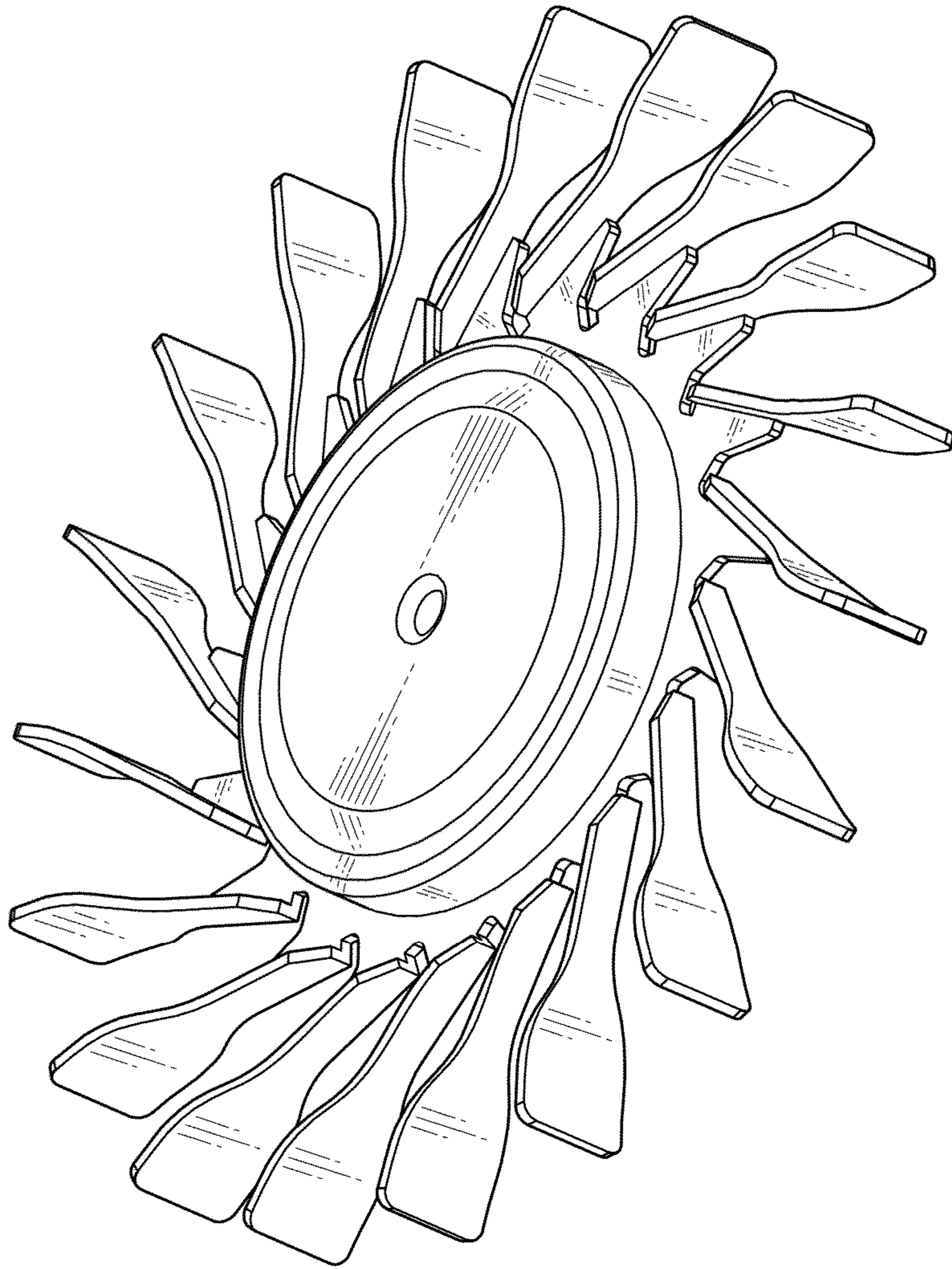


FIG. 1

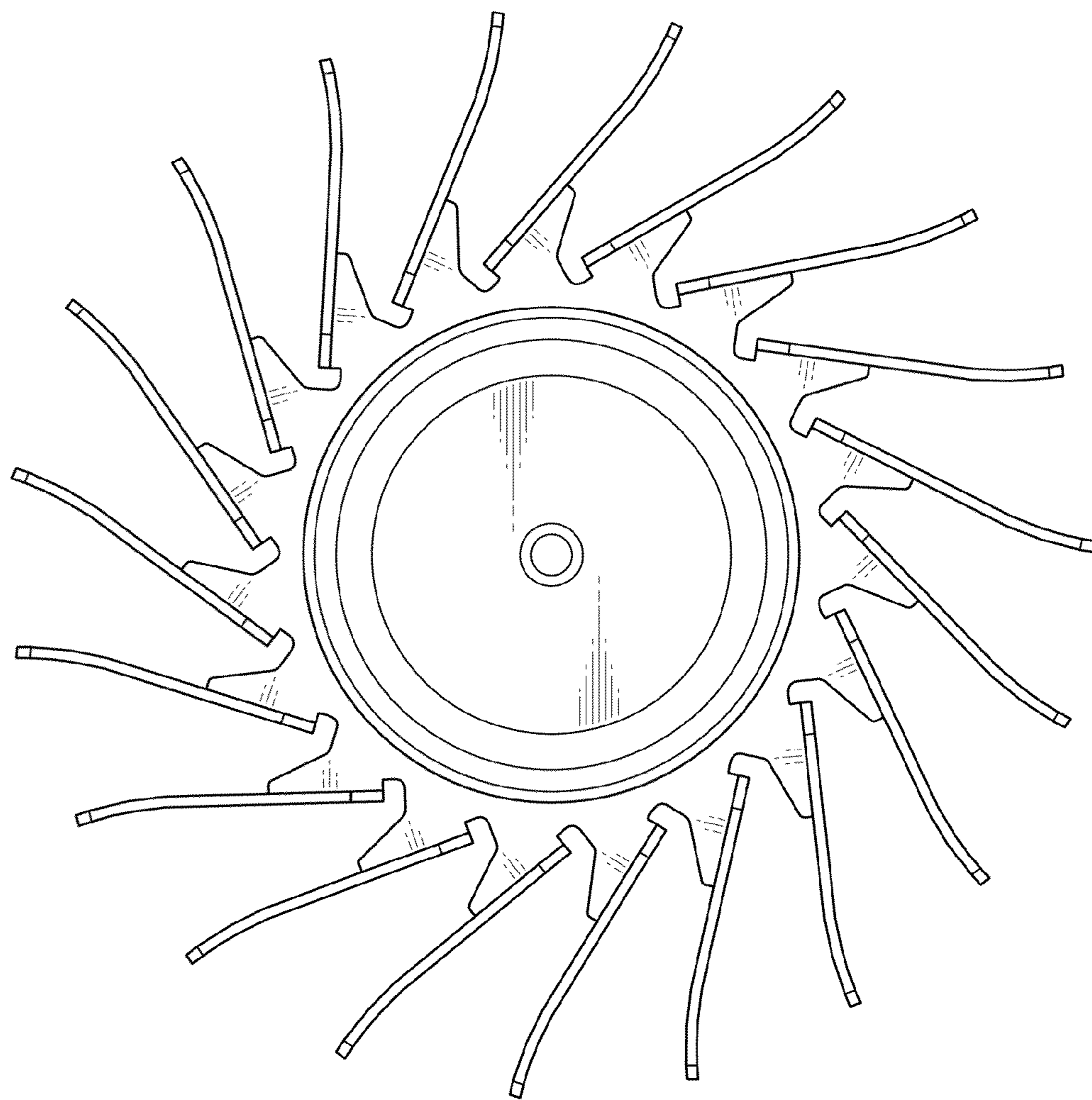


FIG. 2

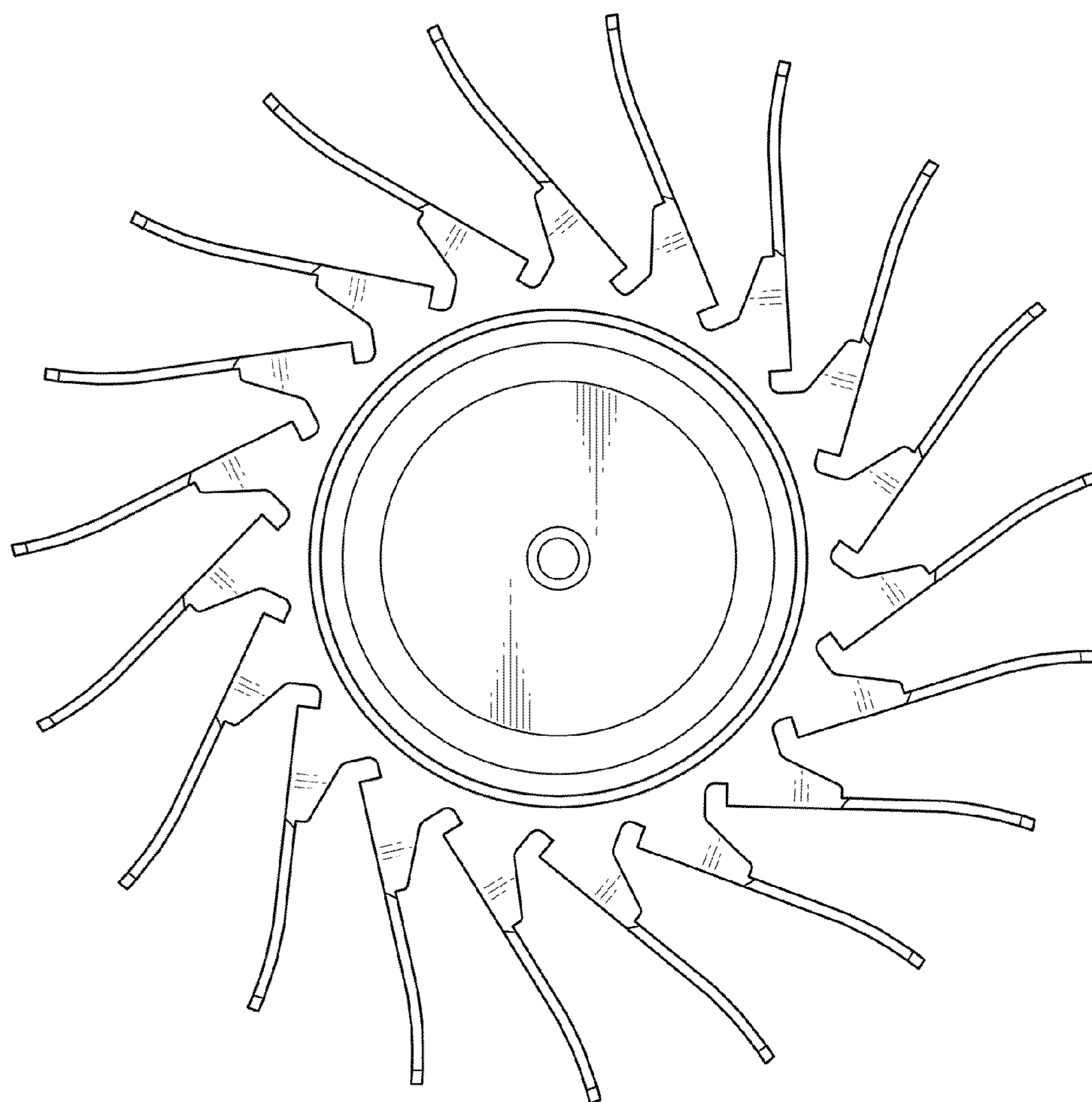


FIG. 3

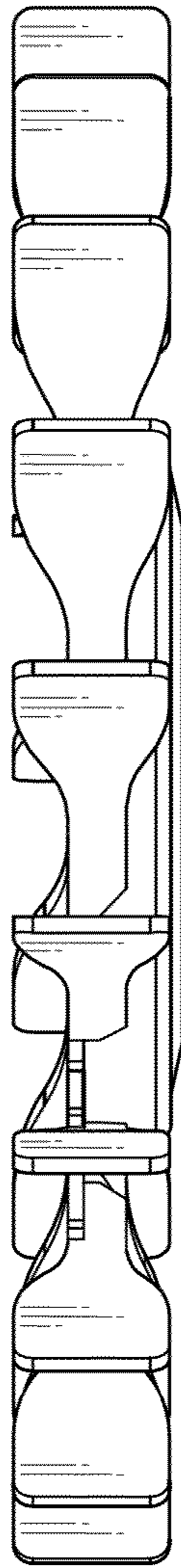


FIG. 4

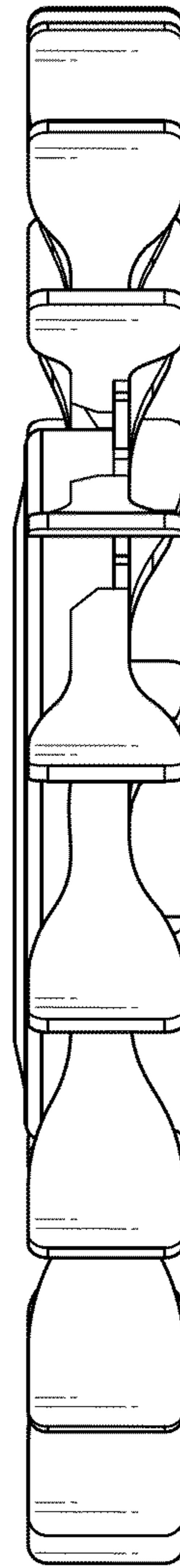


FIG. 5

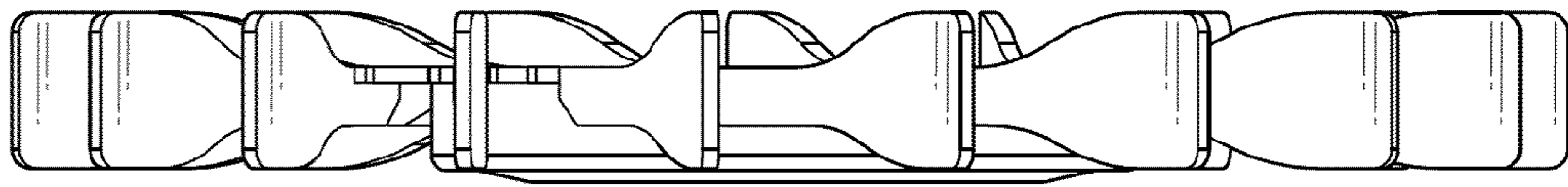


FIG. 6

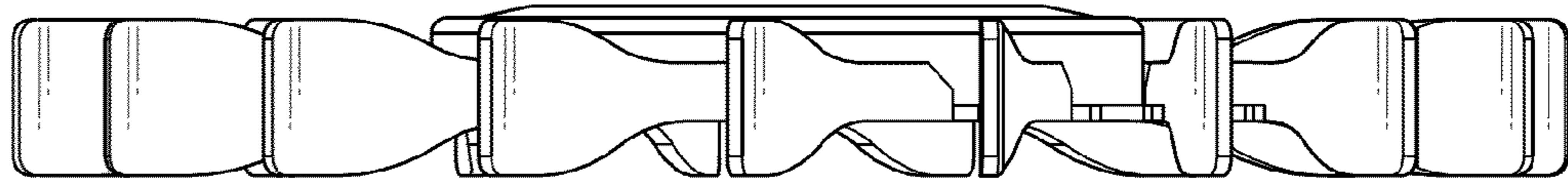


FIG. 7