



US00D745953S

(12) **United States Design Patent**
Schonherr et al.

(10) **Patent No.:** **US D745,953 S**

(45) **Date of Patent:** **** Dec. 22, 2015**

(54) **DROP IN SINK**

(71) Applicant: **RONBOW CORPORATION**, Fremont,
CA (US)

(72) Inventors: **Thomas Schonherr**, Stuttgart (DE);
Andreas Diefenbach, Stuttgart (DE);
Sven Feustel, Stuttgart (DE)

(73) Assignee: **Ronbow Corporation**, Fremont, CA
(US)

(**) Term: **14 Years**

(21) Appl. No.: **29/515,857**

(22) Filed: **Jan. 27, 2015**

(51) **LOC (10) Cl.** **23-02**

(52) **U.S. Cl.**
USPC **D23/293.1**

(58) **Field of Classification Search**
USPC D23/271-274, 284, 286, 291-293.1,
D23/303, 308
CPC E03C 1/00; E03C 1/01; E03C 1/02;
E03C 1/12; E03C 1/18

See application file for complete search history.

(56) **References Cited**

U.S. PATENT DOCUMENTS

D36,995 S *	6/1904	Gregg	D23/293.1
D598,994 S *	8/2009	Aso	D23/293.1
D603,487 S *	11/2009	Aso	D23/293.1
D607,979 S *	1/2010	Jiang	D23/293.1
D630,308 S *	1/2011	Webb	D23/293.1
D677,771 S *	3/2013	Mendoza	D23/293.1
D722,143 S *	2/2015	Clarke	D23/293.1

* cited by examiner

Primary Examiner — Robert Delehanty

(74) *Attorney, Agent, or Firm* — Thomas Schneck

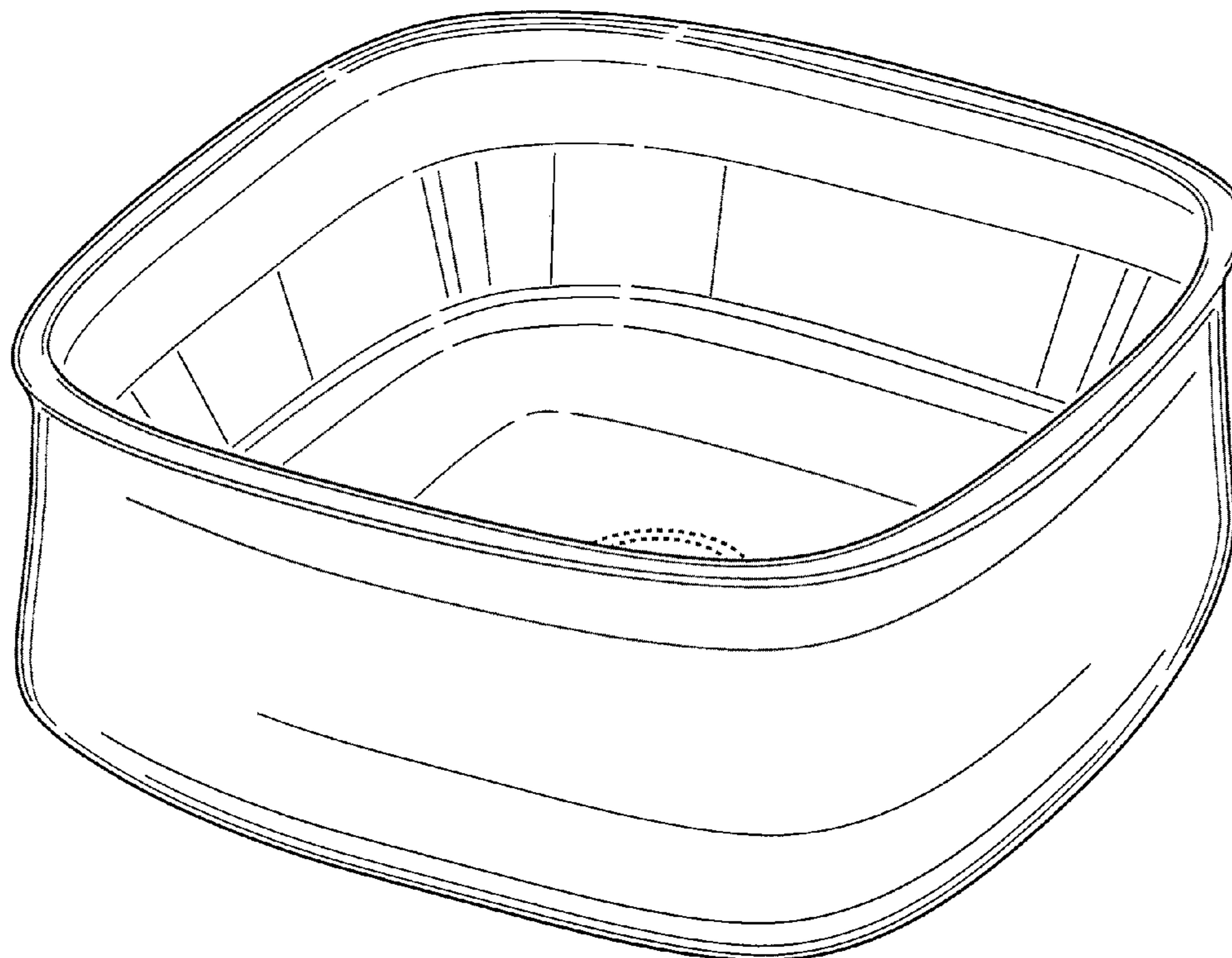
(57) **CLAIM**

We claim the design for a drop in sink, as shown and described.

DESCRIPTION

FIG. 1 is a top front right perspective view of a drop in sink of our design, the dashed lines representing unclaimed features; FIG. 2 is a top plan view thereof, the bottom plan view being plain, unornamented and unclaimed, the dashed lines representing unclaimed features; FIG. 3 is a side elevational view thereof, all sides being identical; and, FIG. 4 is a cross sectional view along line 4-4 in FIG. 2.

1 Claim, 3 Drawing Sheets



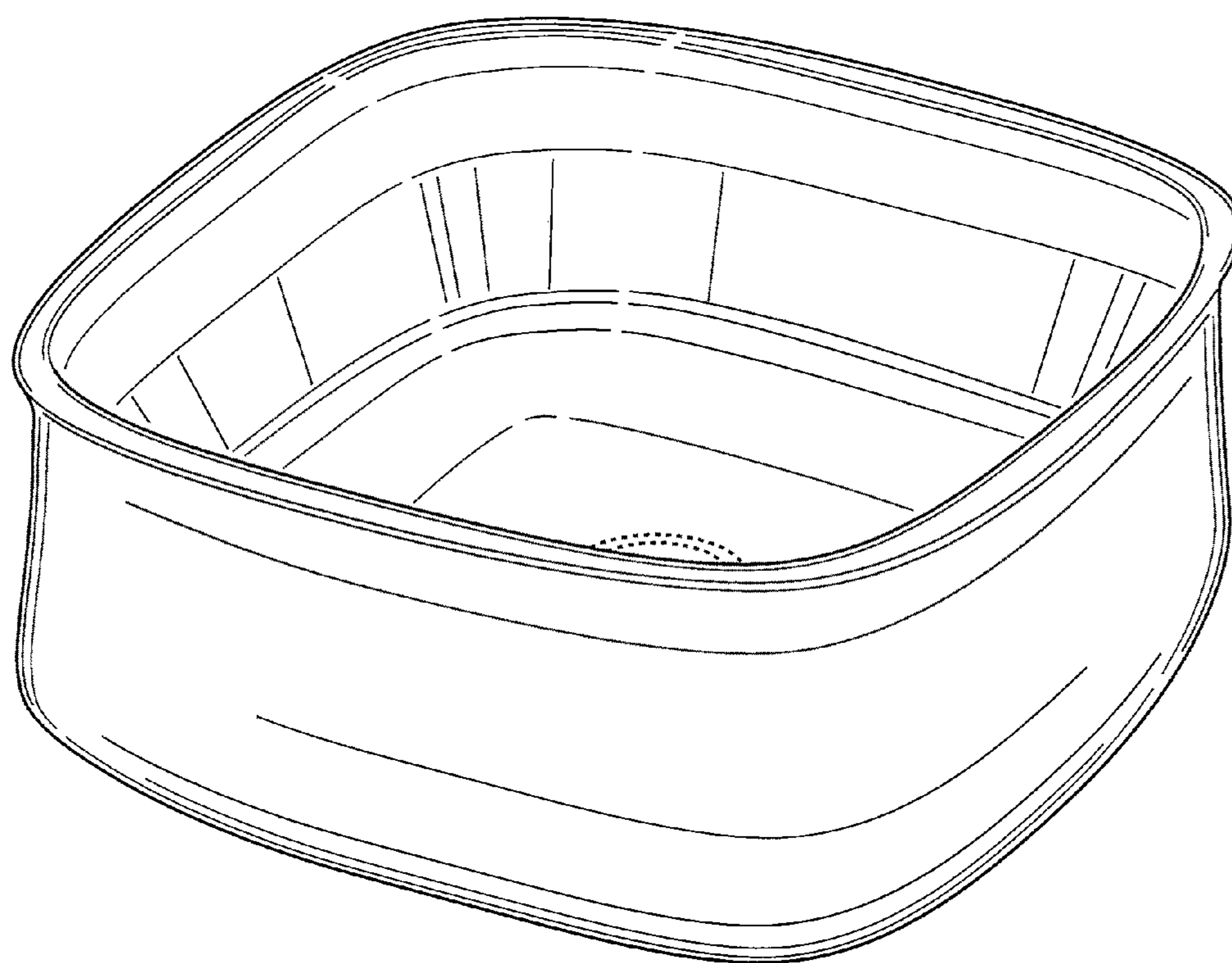


FIG. 1

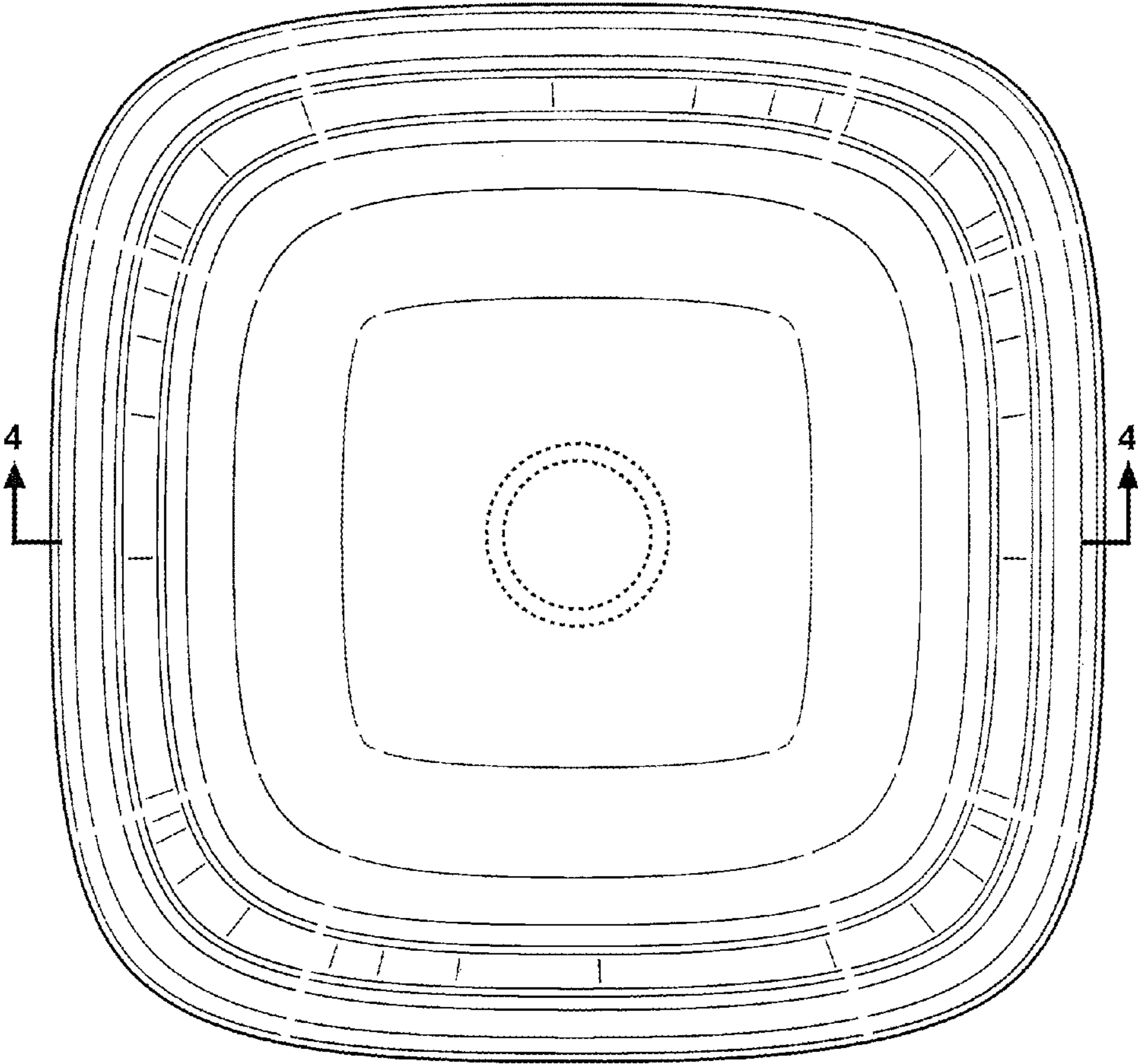


FIG. 2

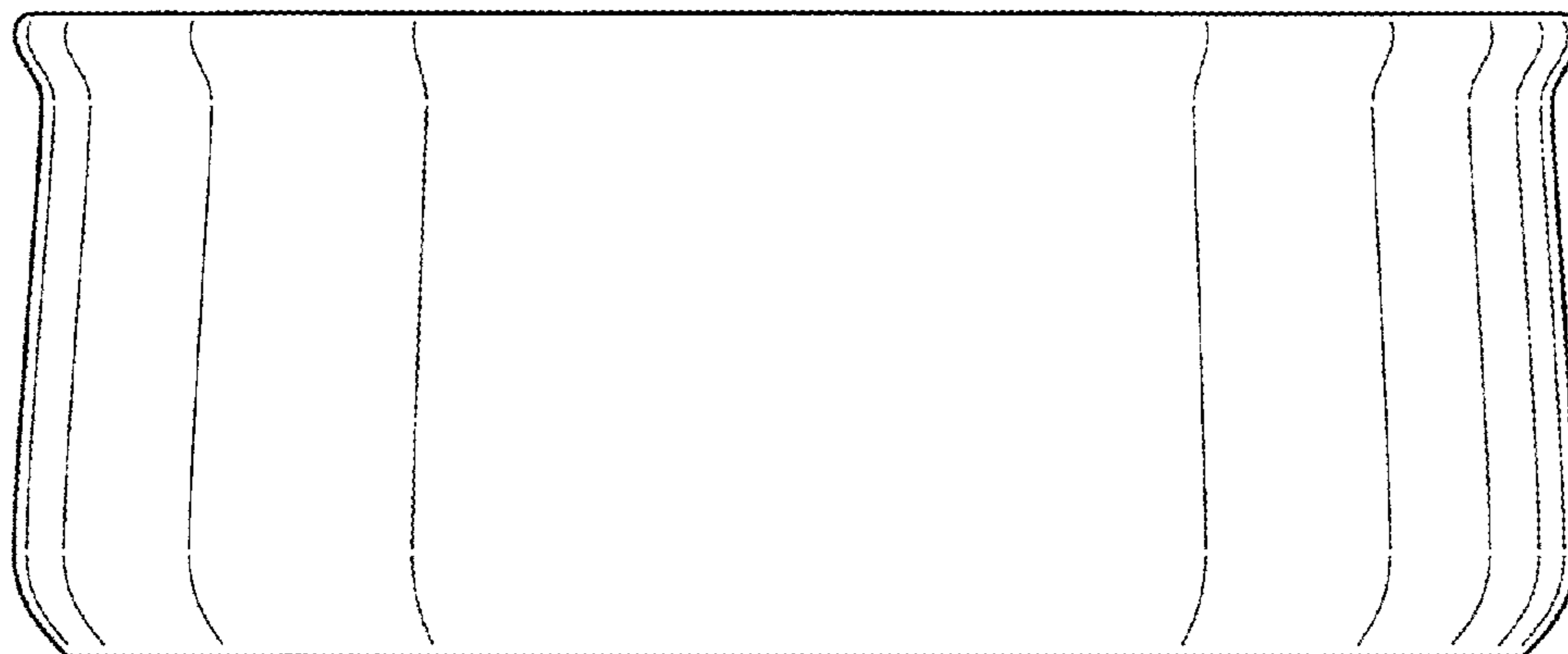


FIG. 3

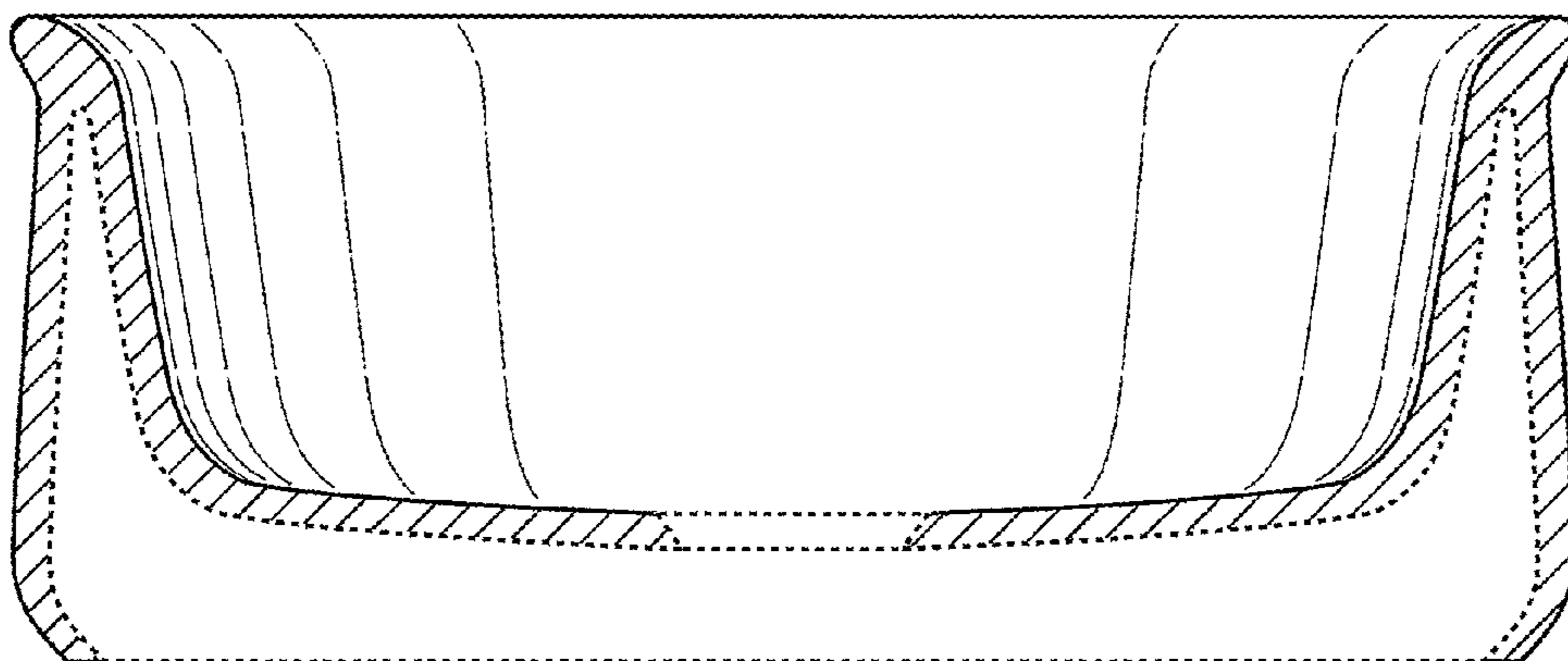


FIG. 4