



US00D745951S

(12) **United States Design Patent**
Schonherr et al.

(10) **Patent No.:** **US D745,951 S**

(45) **Date of Patent:** **** Dec. 22, 2015**

(54) **DROP IN SINK**

(71) Applicant: **RONBOW CORPORATION**, Fremont,
CA (US)

(72) Inventors: **Thomas Schonherr**, Stuttgart (DE);
Andreas Diefenbach, Stuttgart (DE);
Sven Feustel, Stuttgart (DE)

(73) Assignee: **Ronbow Corporation**, Fremont, CA
(US)

(**) Term: **14 Years**

(21) Appl. No.: **29/515,849**

(22) Filed: **Jan. 27, 2015**

(51) **LOC (10) Cl.** **23-02**

(52) **U.S. Cl.**
USPC **D23/284**

(58) **Field of Classification Search**
USPC D23/271-274, 284, 286, 291-293.1,
D23/303, 308
CPC E03C 1/00; E03C 1/01; E03C 1/02;
E03C 1/12; E03C 1/18

See application file for complete search history.

(56) **References Cited**

U.S. PATENT DOCUMENTS

D507,334 S * 7/2005 Ferrer Beltran D23/293.1
D545,416 S * 6/2007 Maruhashi D23/293.1
D687,530 S * 8/2013 McGuire D23/308

* cited by examiner

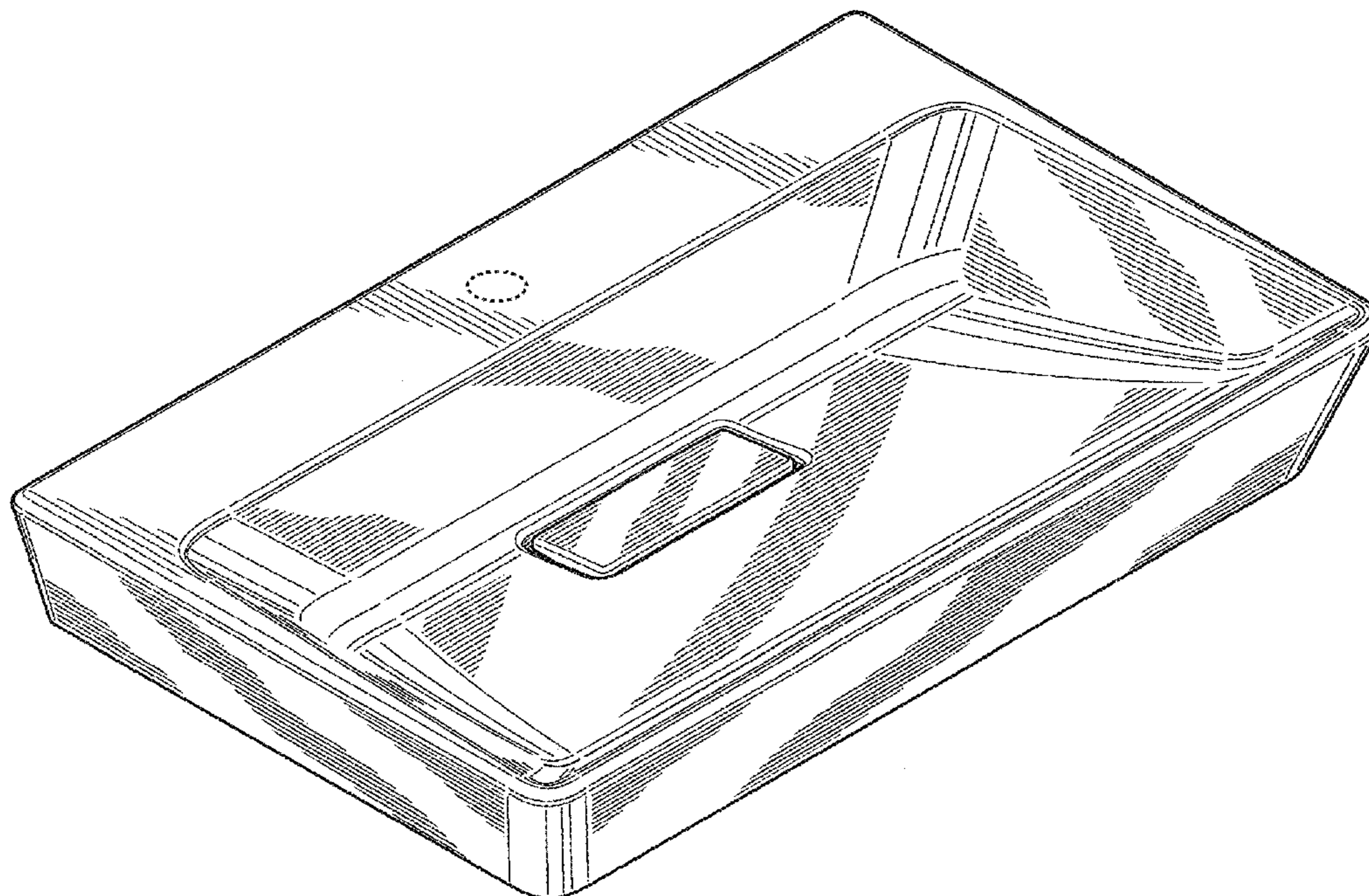
Primary Examiner — Robert Delehanty
(74) *Attorney, Agent, or Firm* — Thomas Schneck

(57) **CLAIM**
We claim the design for a drop in sink, as shown and described.

DESCRIPTION

FIG. 1 is a top left front perspective view of a drop in sink of our design, the dashed lines representing an unclaimed feature;
FIG. 2 is a top plan view thereof, with dashed lines representing unclaimed features, the bottom plan view being plain, unornamented and unclaimed;
FIG. 3 is a front elevational view thereof;
FIG. 4 is a right side elevational view thereof, the left side being a mirror image thereof;
FIG. 5 is a rear elevational view thereof;
FIG. 6 is a cross sectional view taken along line 6-6 in FIG. 2, the dashed lines representing unclaimed features; and,
FIG. 7 is a cross sectional view taken along line 7-7 in FIG. 2, the dashed lines representing unclaimed features.

1 Claim, 3 Drawing Sheets



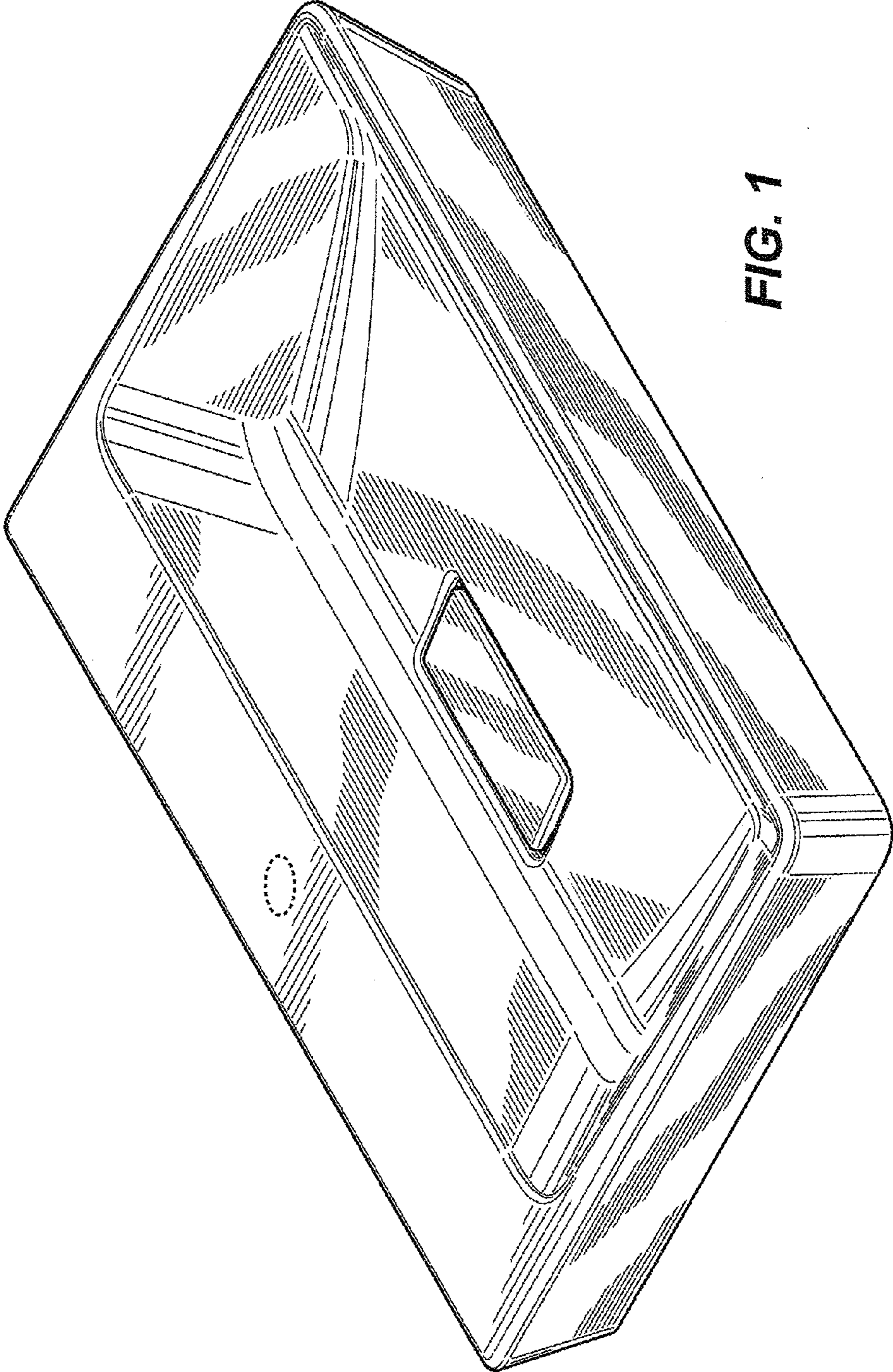


FIG. 1

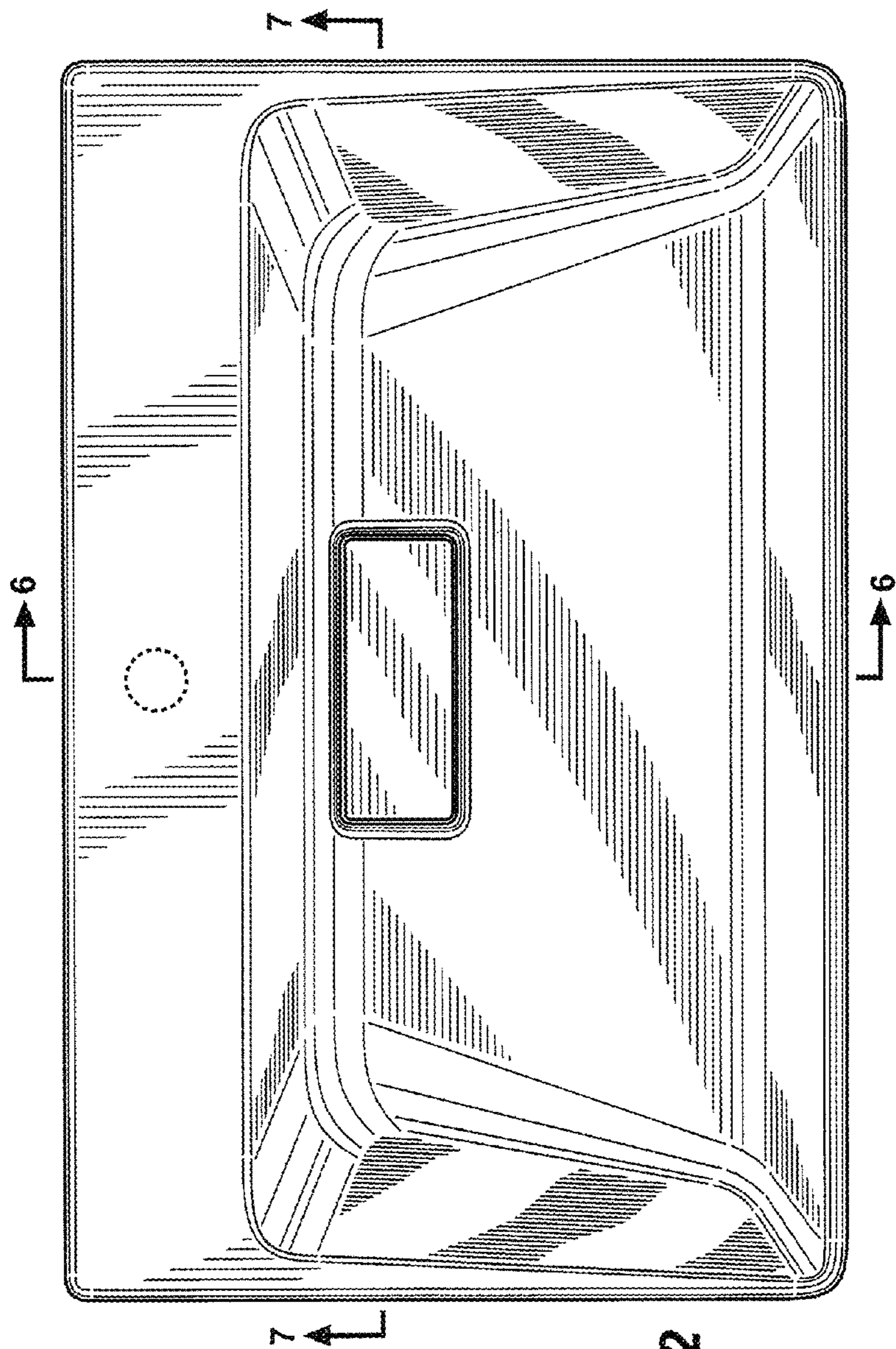


FIG. 2

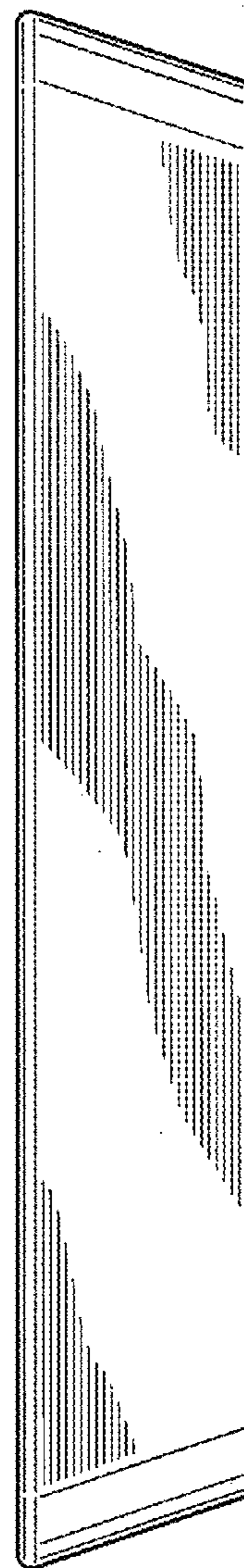


FIG. 3

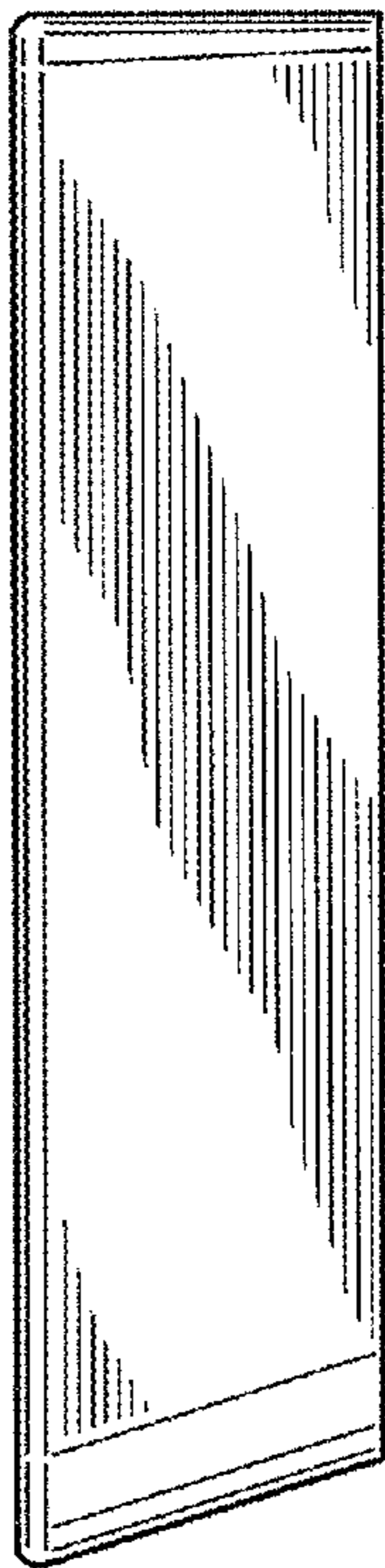


FIG. 4

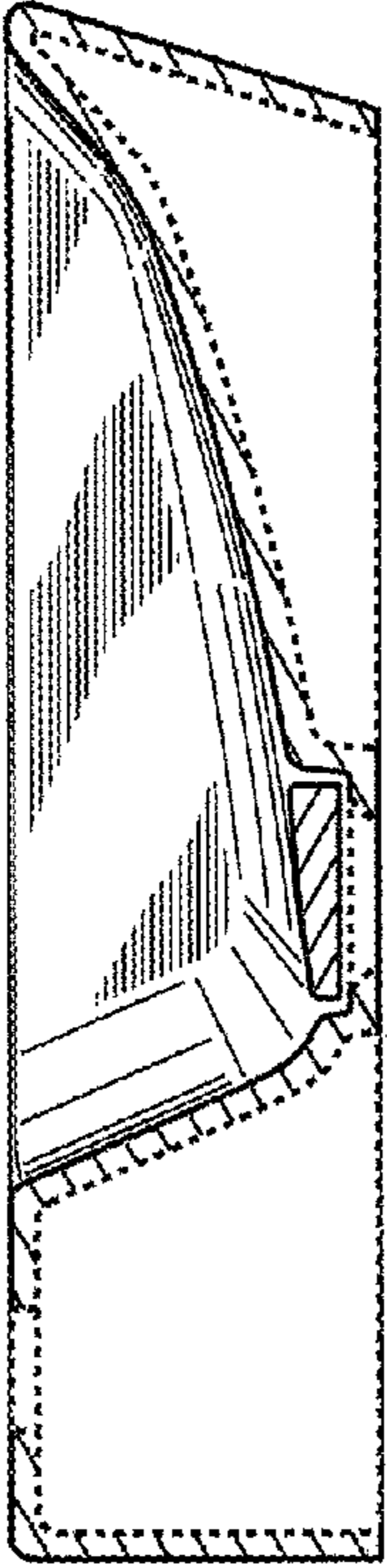


FIG. 6

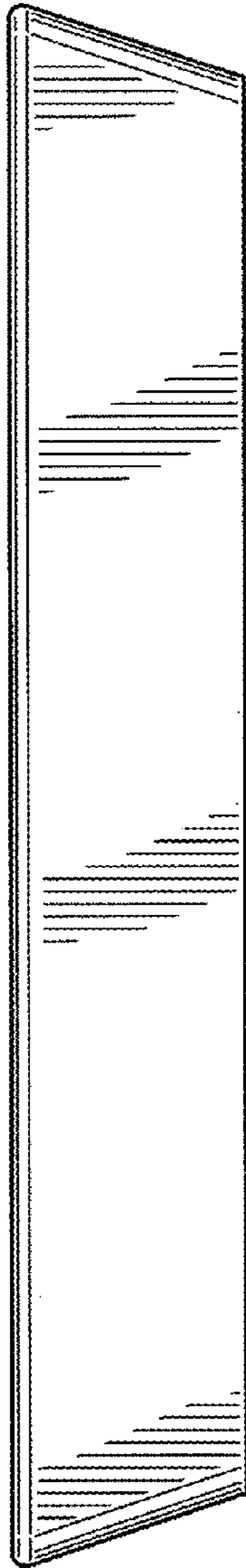


FIG. 5

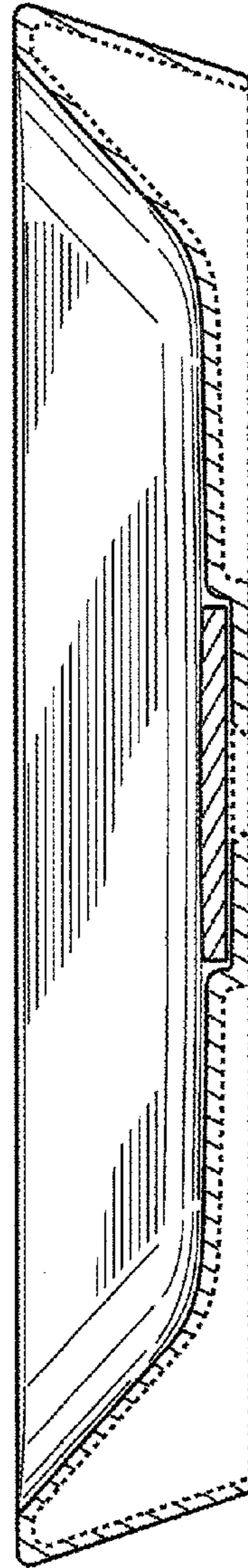


FIG. 7