



US00D745950S

(12) **United States Design Patent**
Towers

(10) **Patent No.:** **US D745,950 S**
(45) **Date of Patent:** **** Dec. 22, 2015**

- (54) **DRAIN TRAP**
- (71) Applicant: **PLYMOUTH I.P. CONCEPTS LLC**,
Cheyenne, WY (US)
- (72) Inventor: **Patrick Allison Towers**, Reseda, CA
(US)
- (73) Assignee: **PLYMOUTH I.P. CONCEPTS LLC**,
Cheyenne, WY (US)
- (**) Term: **14 Years**
- (21) Appl. No.: **29/503,482**
- (22) Filed: **Sep. 26, 2014**
- (51) **LOC (10) Cl.** **23-01**
- (52) **U.S. Cl.**
USPC **D23/268**
- (58) **Field of Classification Search**
USPC D23/259–263, 266–269, 233; 251/215,
251/216; 285/369, 372, 373, 417, 133.11,
285/133.3, 133.21, 133.4, 133.5, 133.6;
137/247, 247.41, 247.51
CPC F16L 11/00; F16L 37/252; F16L 41/007;
E03C 1/26; E03C 1/262; E03C 1/28; E03F
5/04; A61B 5/00; A61M 25/09016
See application file for complete search history.

2,690,232	A *	9/1954	Brem	E03C 1/282 210/165
4,032,455	A *	6/1977	Kale	B01D 29/11 137/247.51
5,267,361	A *	12/1993	Lai	E03C 1/282 137/247.51
5,638,557	A *	6/1997	Iida	B01D 21/00 137/247.41
D470,578	S *	2/2003	Boeltl	D23/268
D470,927	S *	2/2003	Molinaro	D23/268
D531,285	S *	10/2006	Williams	D23/268
D549,805	S *	8/2007	Quach	D23/268
D557,374	S *	12/2007	Pecca	D23/209
D580,530	S *	11/2008	McAlpine	D23/268
D659,809	S *	5/2012	Smith	D23/268
D702,326	S *	4/2014	Dannrup	D23/261
D730,497	S *	5/2015	Vierk	D23/268

* cited by examiner

Primary Examiner — Sandra Snapp
(74) *Attorney, Agent, or Firm* — Ralph D. Chabot

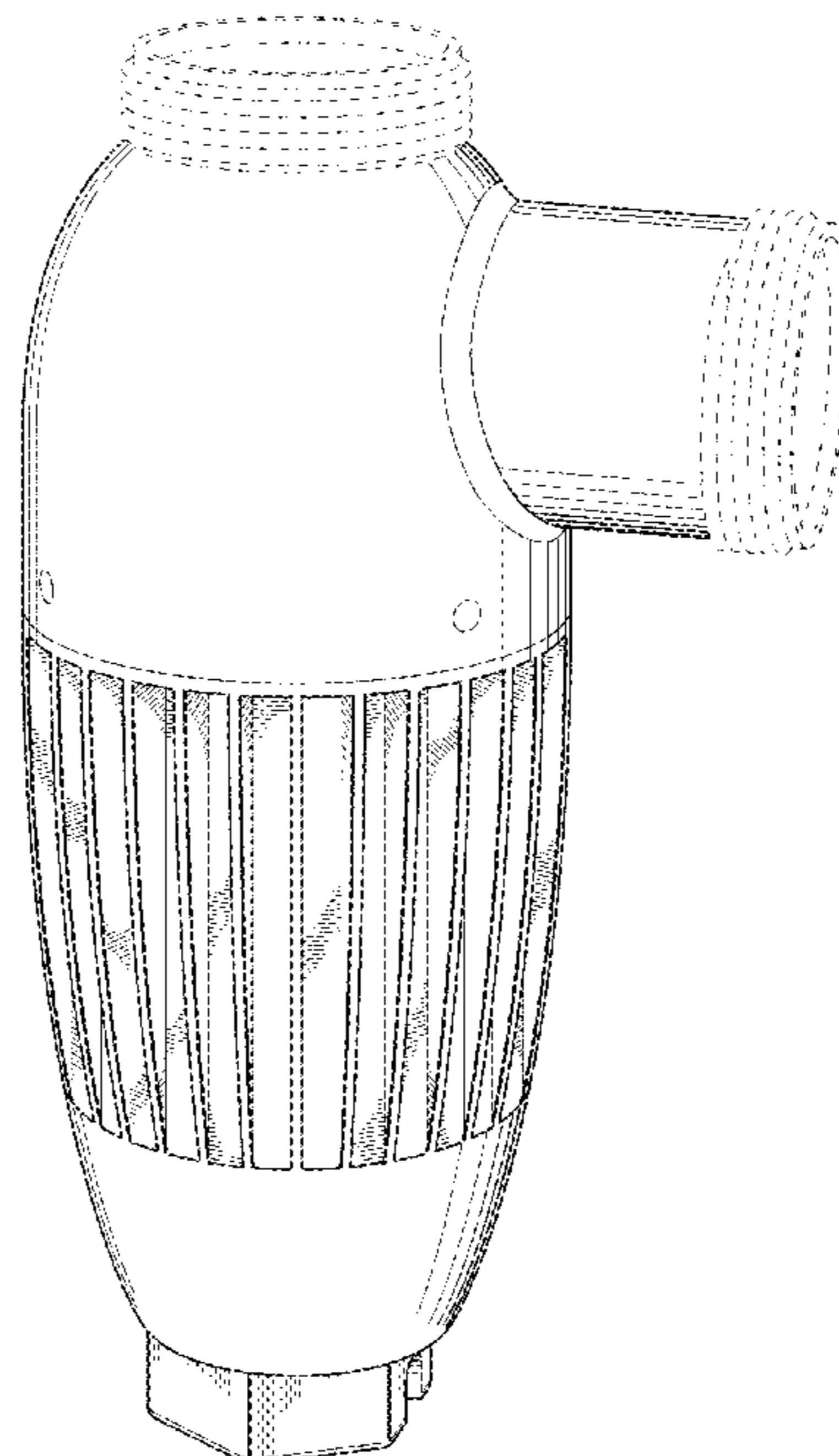
(57) **CLAIM**
The ornamental design for a drain trap, as shown and described.

DESCRIPTION

FIG. 1 is a top, front, left side perspective view.
FIG. 2 is a front elevation view.
FIG. 3 is a rear elevation view.
FIG. 4 is a right side elevation view.
FIG. 5 is a left side elevation view.
FIG. 6 is a top plan view; and,
FIG. 7 is a bottom plan view.
The broken line portion of the figure drawings is included to show unclaimed subject matter only and forms no part of the claimed design.

1 Claim, 4 Drawing Sheets

- (56) **References Cited**
U.S. PATENT DOCUMENTS
- 1,217,768 A * 2/1917 Hirrich F01B 13/062
91/494
- 1,679,033 A * 7/1928 Holmes B01D 35/02
210/312
- 1,817,376 A * 8/1931 Izquierdo E03C 1/282
210/237



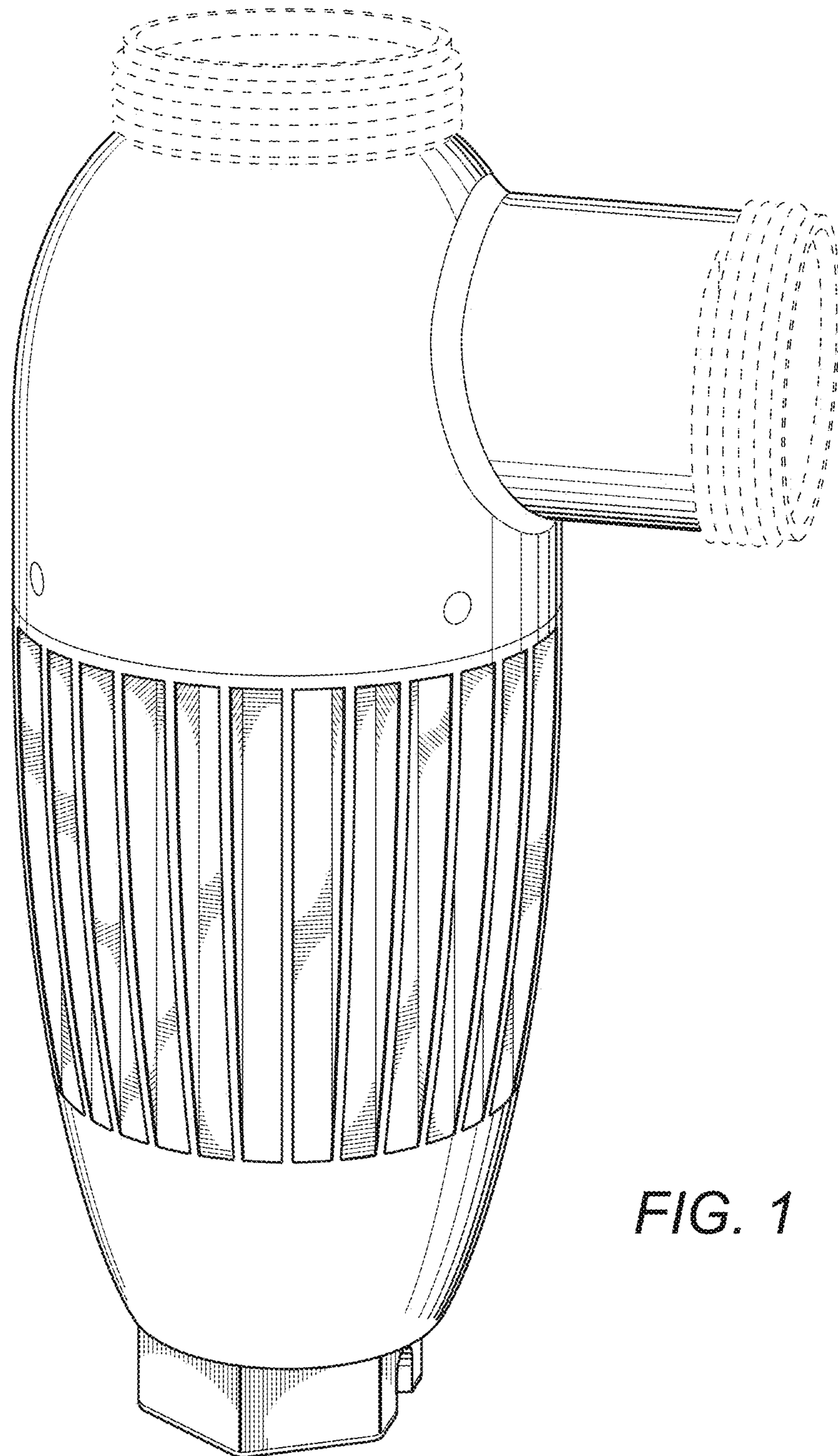


FIG. 1

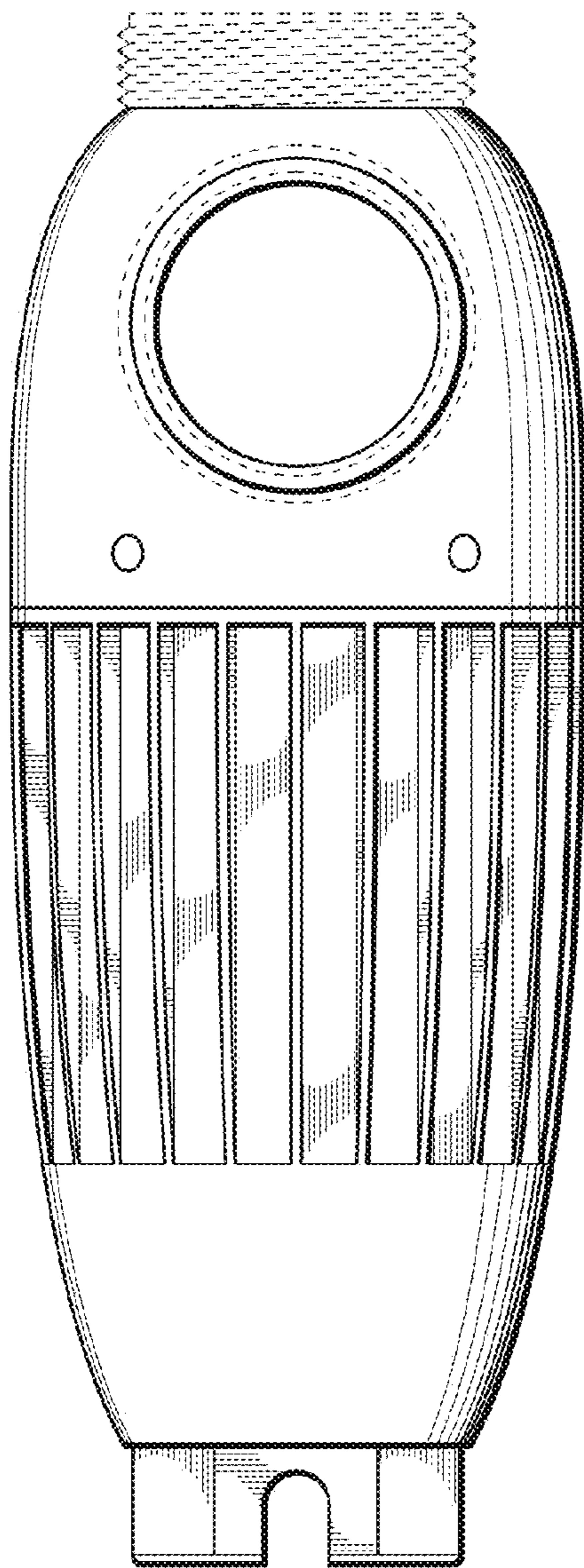


FIG. 2

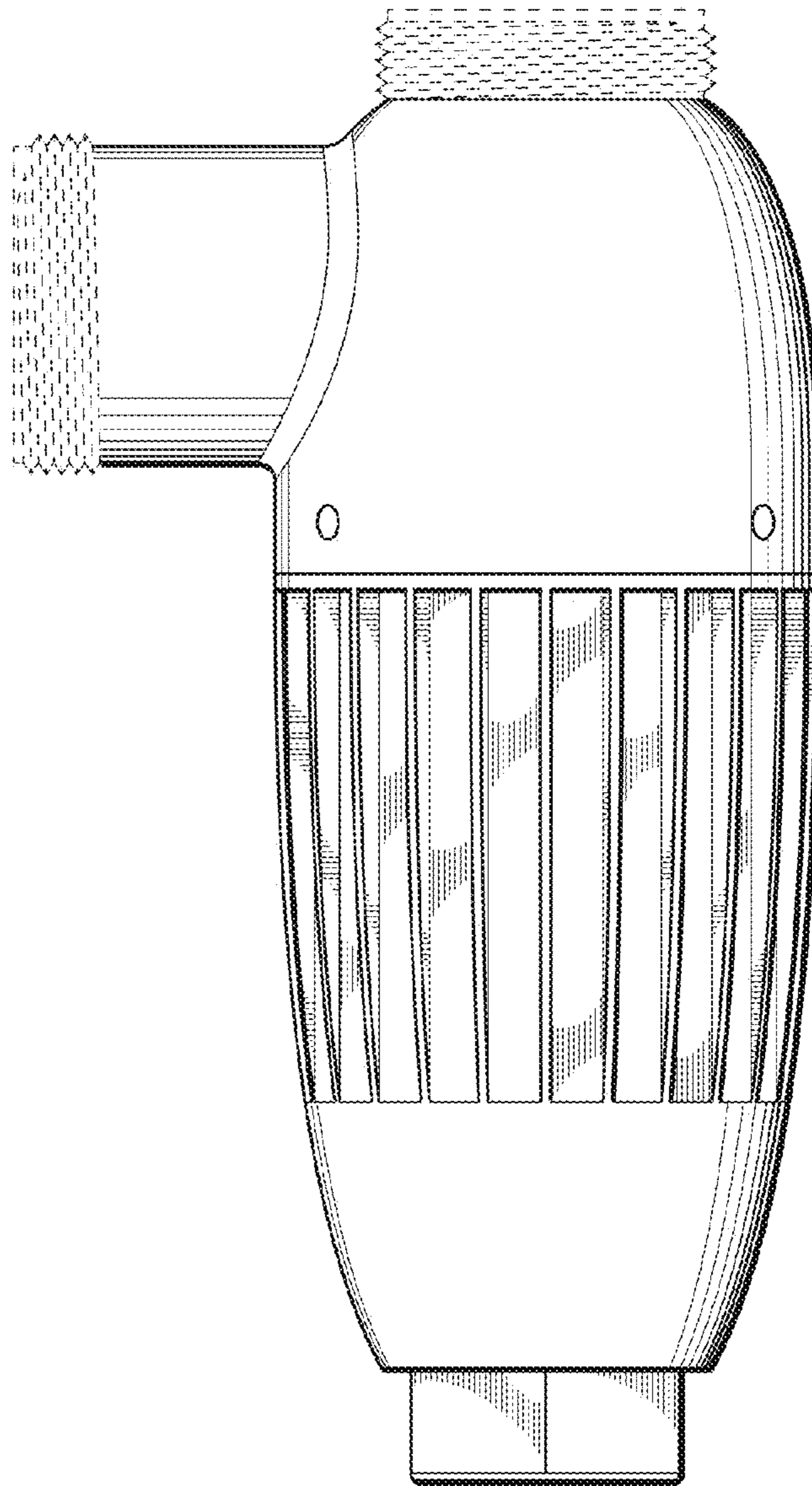


FIG. 4

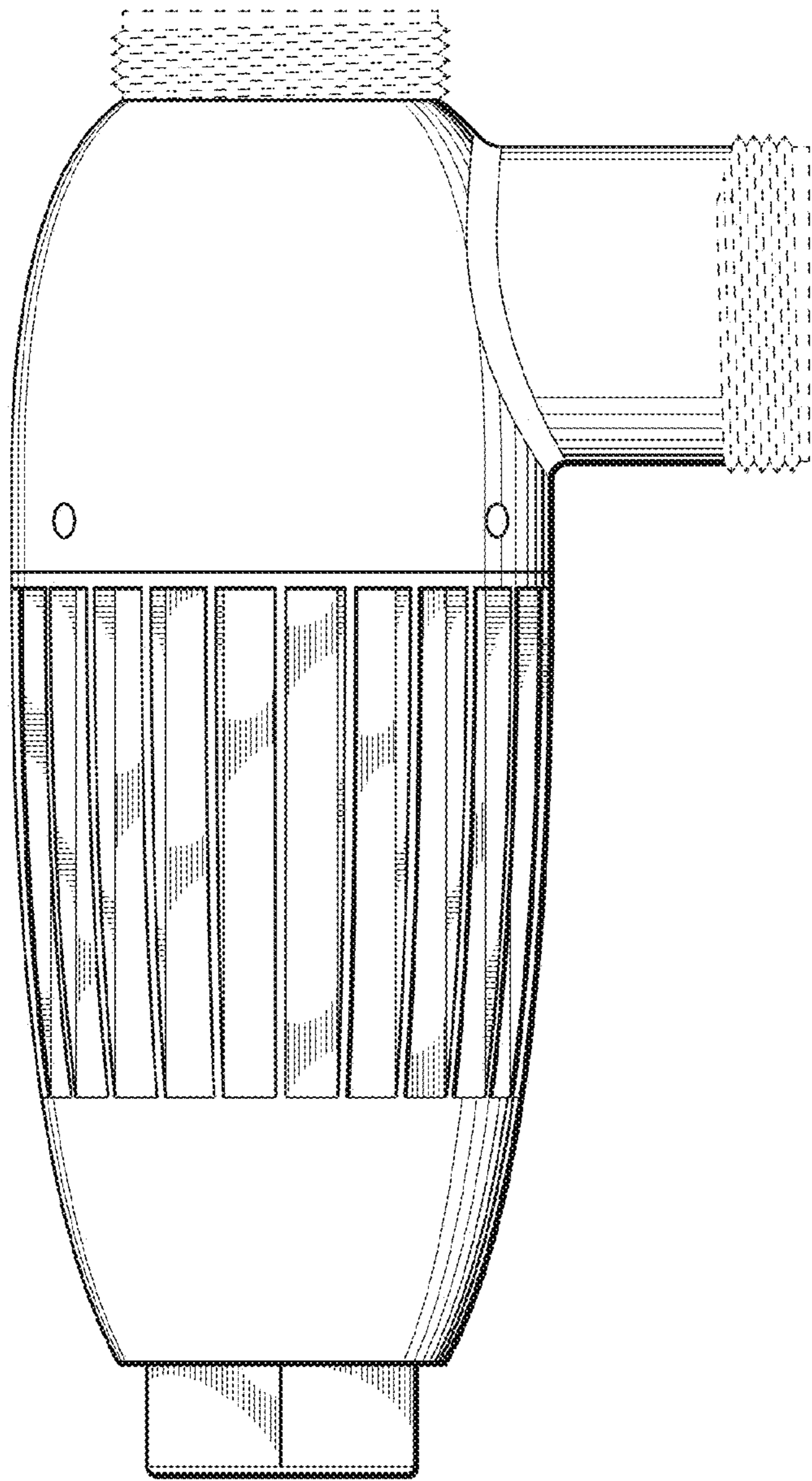


FIG. 5

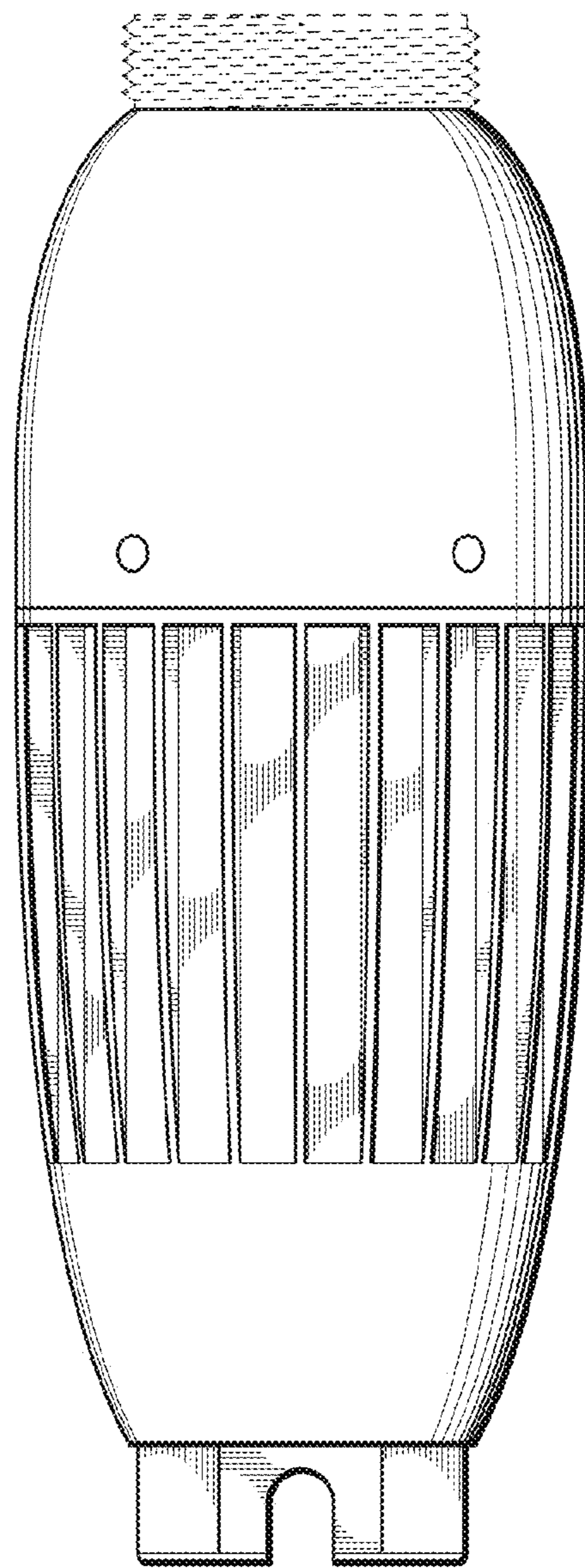


FIG. 3

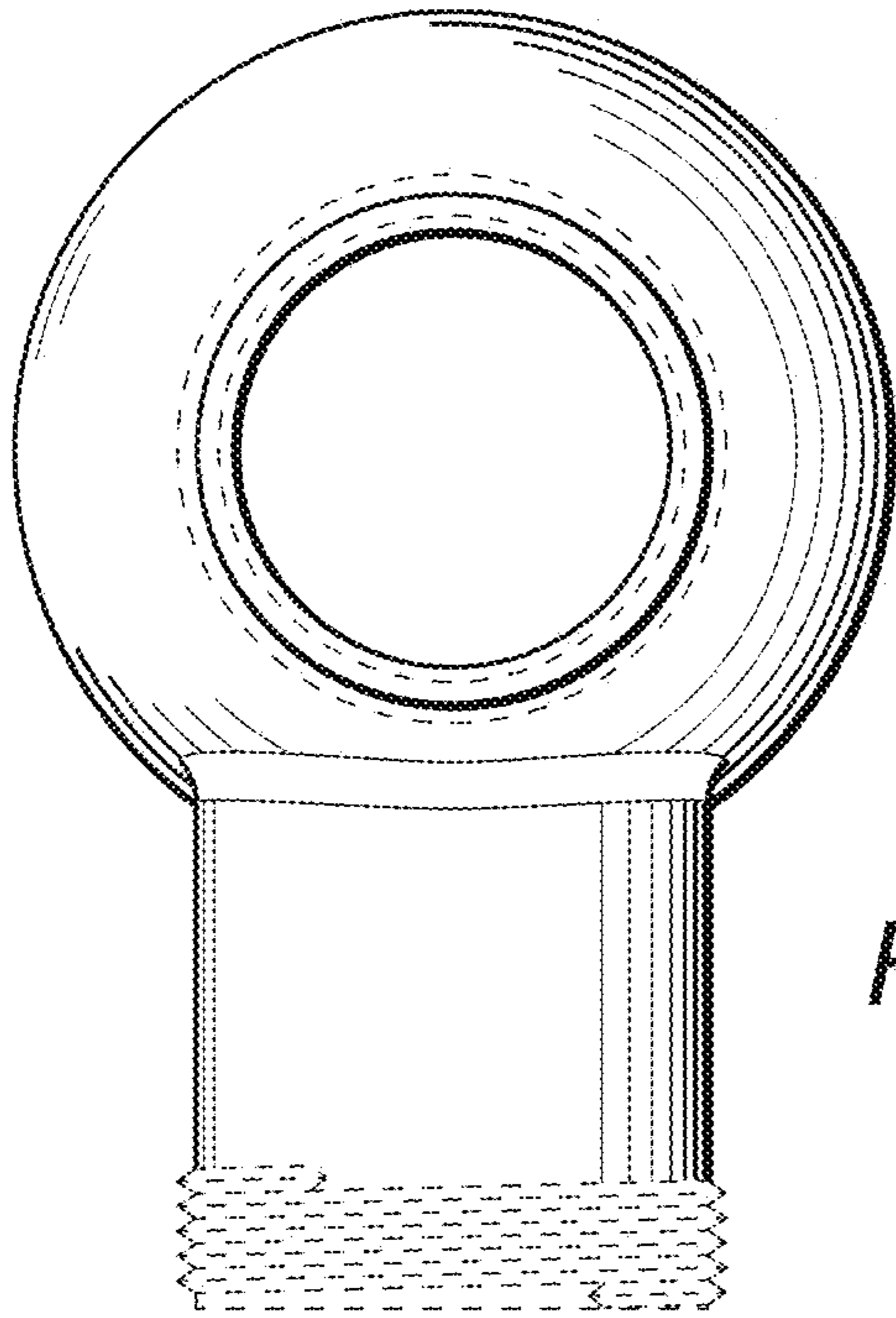


FIG. 6

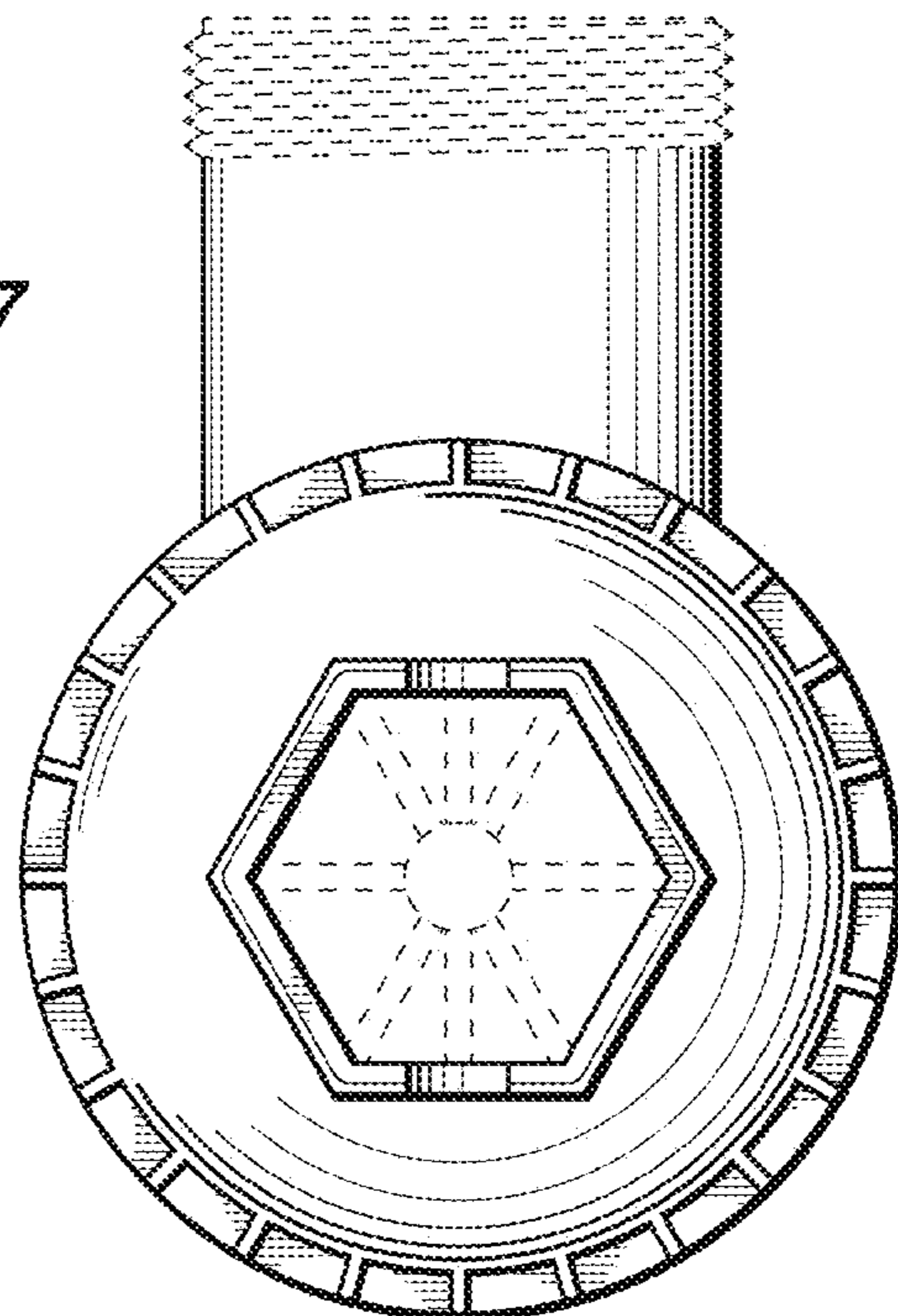


FIG. 7