



US00D745945S

(12) **United States Design Patent**  
**Kielsmeier et al.**

(10) **Patent No.:** **US D745,945 S**

(45) **Date of Patent:** **\*\* Dec. 22, 2015**

- (54) **FOLLOWER FOR A FIRE ARM MAGAZINE**
- (71) Applicant: **Magpul Industries Corporation**, Erie, CO (US)
- (72) Inventors: **Nicholas Kielsmeier**, Denver, CO (US); **Brian Nakayama**, Arvada, CO (US); **Michael T. Mayberry**, Denver, CO (US); **Jeremy Fiester**, Lafayette, CO (US)
- (73) Assignee: **Magpul Industries Corporation**, Louisville, CO (US)
- (\*\*) Term: **14 Years**
- (21) Appl. No.: **29/502,194**
- (22) Filed: **Sep. 12, 2014**
- (51) **LOC (10) Cl.** ..... **22-01**
- (52) **U.S. Cl.**  
USPC ..... **D22/108**
- (58) **Field of Classification Search**  
USPC ..... D22/108  
CPC ..... F41A 9/70; F41A 9/65; F41A 9/71; F41A 9/68; F41A 9/69; F41A 9/61; F41A 9/00; F41A 9/17; F41A 9/23; F41A 9/34; F41A 9/84; F41A 11/02  
See application file for complete search history.

(56) **References Cited**

**U.S. PATENT DOCUMENTS**

- D244,285 S \* 5/1977 Sofinowski ..... 42/50
- 4,109,401 A \* 8/1978 Musgrave ..... F41A 9/62  
42/1.01
- 4,139,959 A \* 2/1979 Howard ..... F41A 9/70  
42/50
- D615,143 S \* 5/2010 Fitzpatrick ..... D22/108
- 7,730,654 B2 \* 6/2010 Kim ..... F41A 9/62  
42/1.02
- 7,958,660 B2 \* 6/2011 Fitzpatrick ..... F41A 9/65  
42/50
- 8,006,423 B1 \* 8/2011 Alzamora ..... F41A 9/65  
42/49.01
- 8,166,692 B2 \* 5/2012 Fitzpatrick ..... F41A 9/70  
42/50
- 2009/0107022 A1 \* 4/2009 Fitzpatrick ..... F41A 9/70  
42/50

- 2010/0126053 A1 \* 5/2010 Fitzpatrick ..... F41A 9/69  
42/50
- 2011/0167694 A1 \* 7/2011 Bigley ..... F41A 9/70  
42/50
- 2011/0214326 A1 \* 9/2011 Inskeep ..... F41A 9/61  
42/49.02

**OTHER PUBLICATIONS**

Glock\_2012\_Glock\_17 Glock (Jan. 7, 2012) Glock 17; Website [Online] Available Website: <http://us.glock.com/products/model/g17>; Last Update: Oct. 9, 2014; Accessed on: Jan. 21, 2015.

(Continued)

*Primary Examiner* — Michael A Pratt

(74) *Attorney, Agent, or Firm* — Swanson & Bratschun, L.L.C.

(57) **CLAIM**

The ornamental design for a follower for a fire arm magazine, as shown and described.

**DESCRIPTION**

FIG. 1 is a rear, right, top perspective view of a follower for a fire arm magazine attached to a firearm showing our new design;

FIG. 2 is a left, bottom perspective view of the follower for a fire arm magazine of FIG. 1;

FIG. 3 is a right elevation view of the follower for a fire arm magazine of FIG. 1;

FIG. 4 is a left elevation view of the follower for a fire arm magazine of FIG. 1;

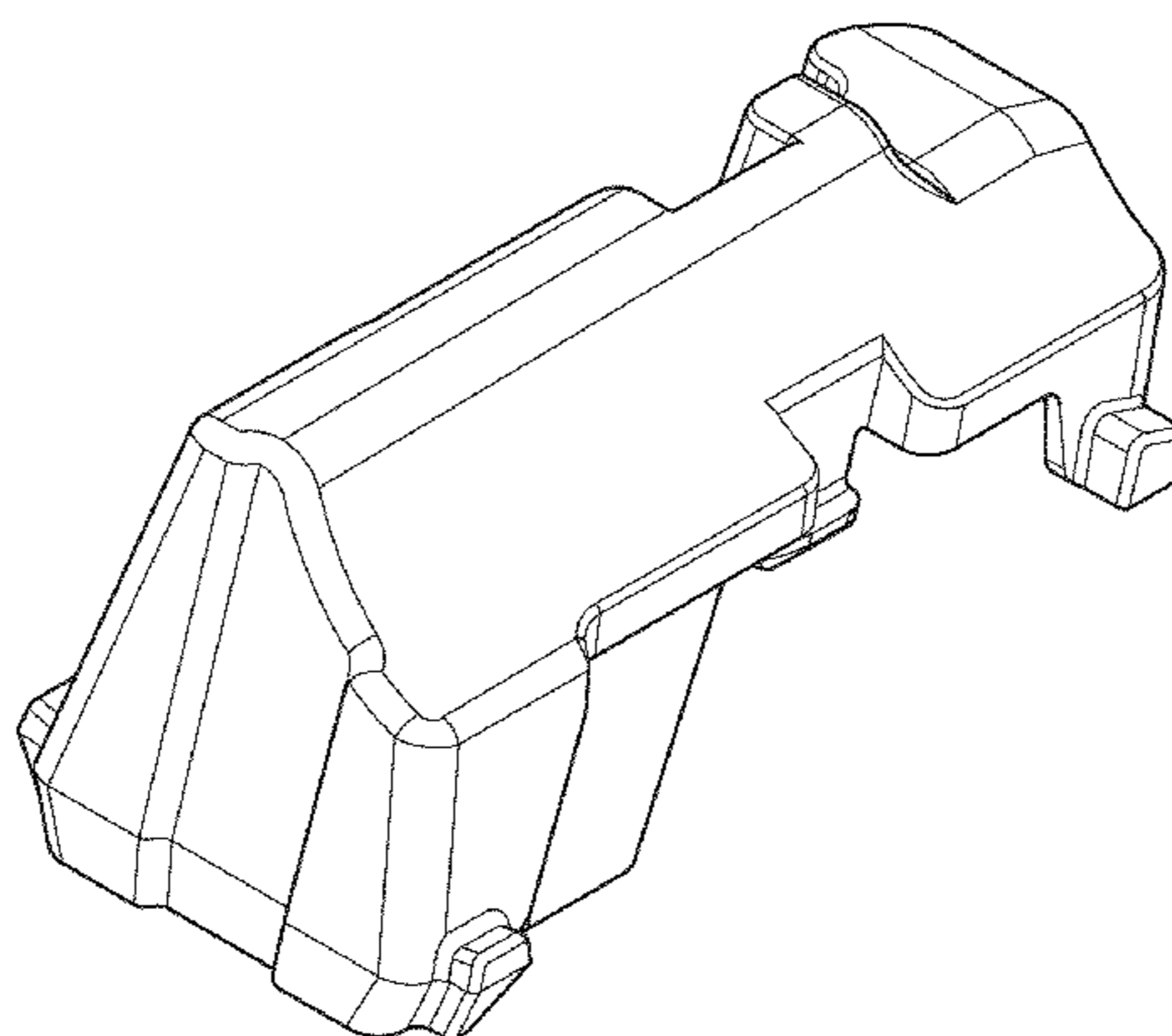
FIG. 5 is a rear elevation view of the follower for a fire arm magazine of FIG. 1;

FIG. 6 is a front elevation view of the follower for a fire arm magazine of FIG. 1;

FIG. 7 is a top plan view of the follower for a fire arm magazine of FIG. 1; and,

FIG. 8 is a bottom plan view of the follower for a fire arm magazine of FIG. 1.

**1 Claim, 4 Drawing Sheets**



(56)

**References Cited**

OTHER PUBLICATIONS

Glock Store 2013 Glock Factory Magazines Glock Store (Jun. 7, 2013) Glock Factory Magazines; Website [Online] Available Website: <http://www.glockstore.com/glock-factory-magazines/standard-glock-factory-magazines>; Last Update: Nov. 18, 2014; Accessed on: Jan. 21, 2015.

Glock Store Glock Mag Floor Plate Glock Store Glock Mag Floor Plate 9/40/.357/.45GAP; Website [Online] Available Website:

<http://www.glockstore.com/mag-parts-extensions/glock-mag-floor-plate-9-40-357-45gap>; Last Update: Unknown; Accessed on: Jan. 21, 2015.

Glock Store Glock Mag Follower 9mm New Style Glock Store Glock Mag Follower 9mm New Style; Website [Online] Available Website: <http://www.glockstore.com/mag-parts-extensions/glock-mag-follower-9mm-new-style-new-version-6>; Last Update: Unknown; Accessed on: Jan. 21, 2015.

\* cited by examiner

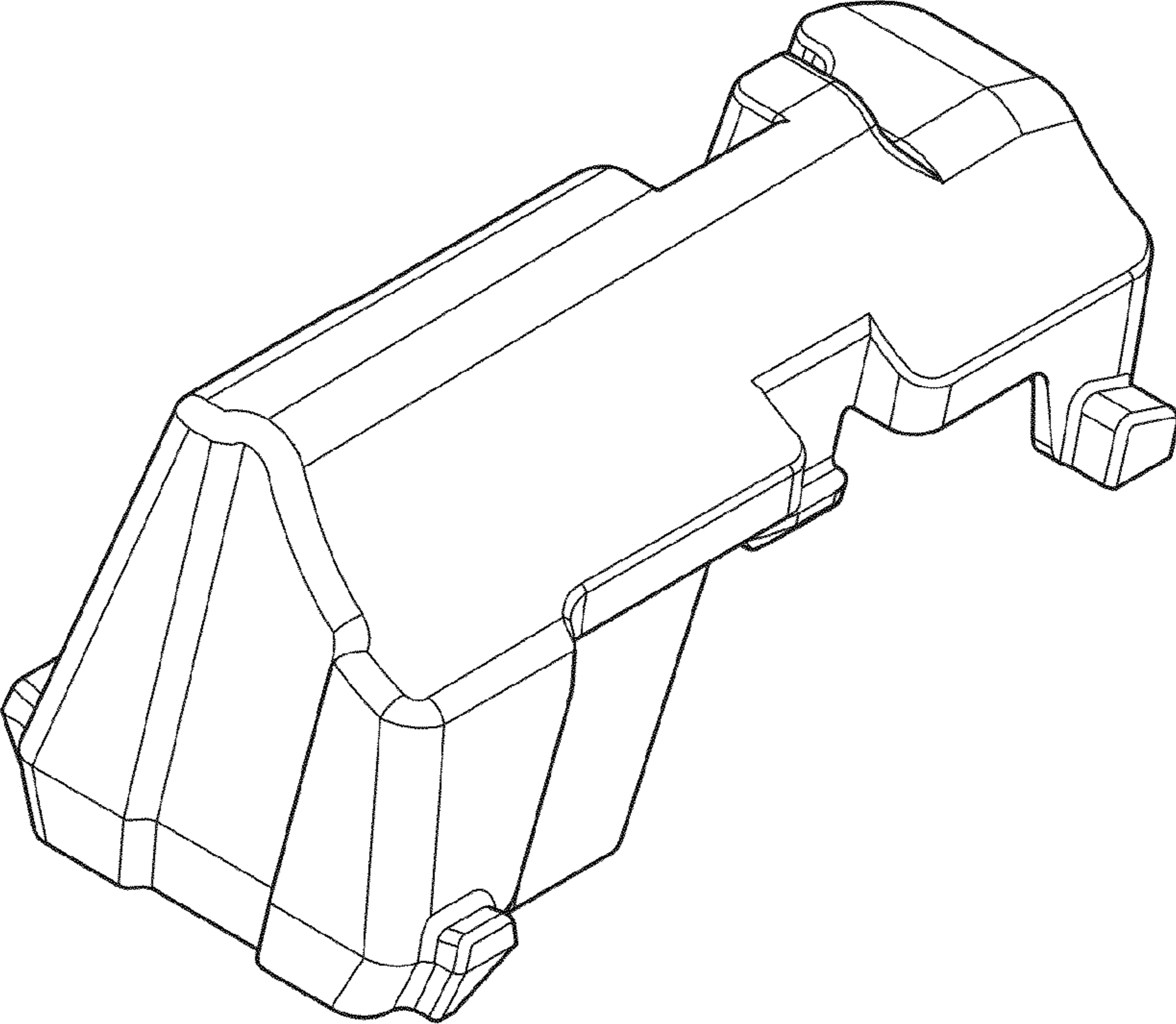


FIG. 1

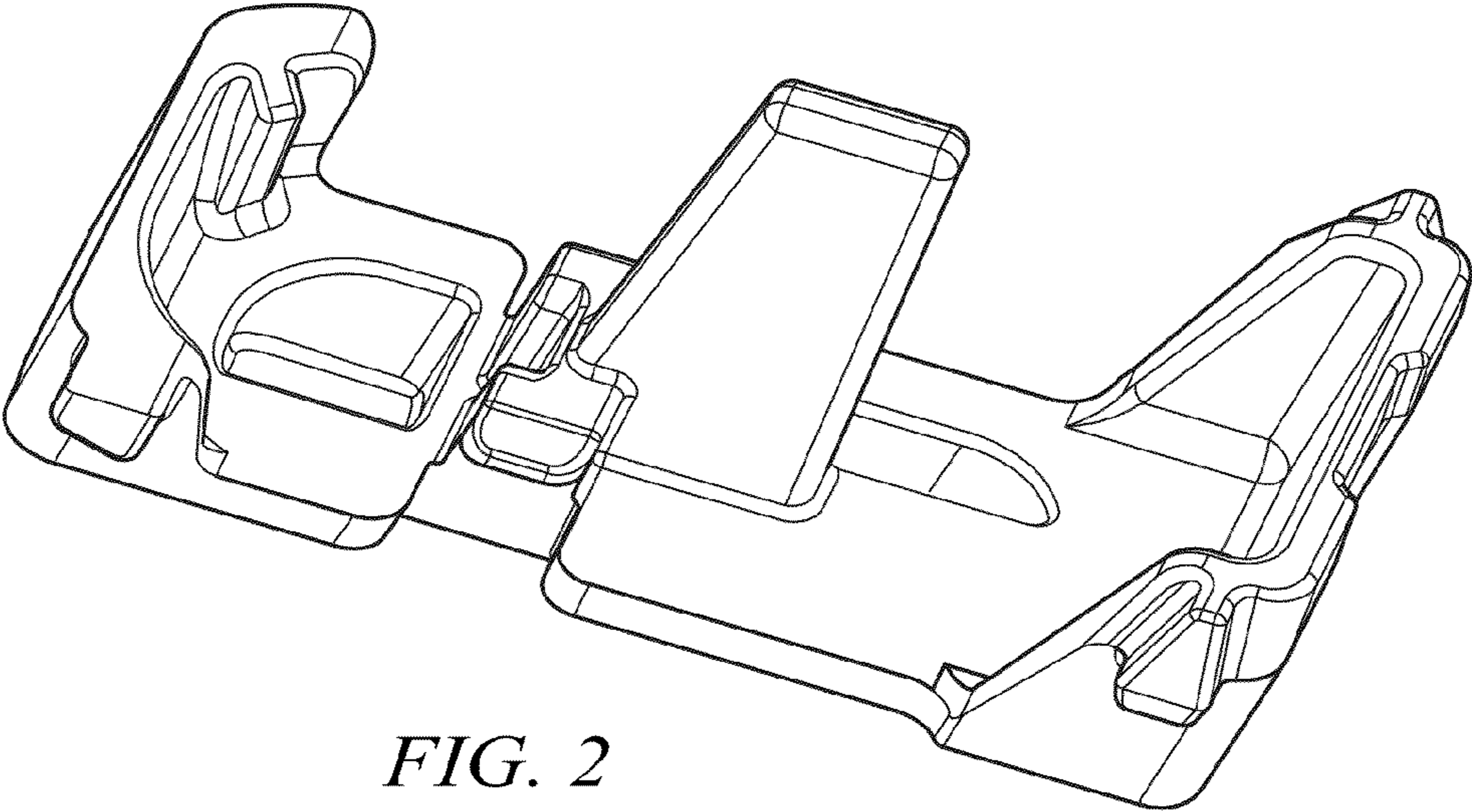
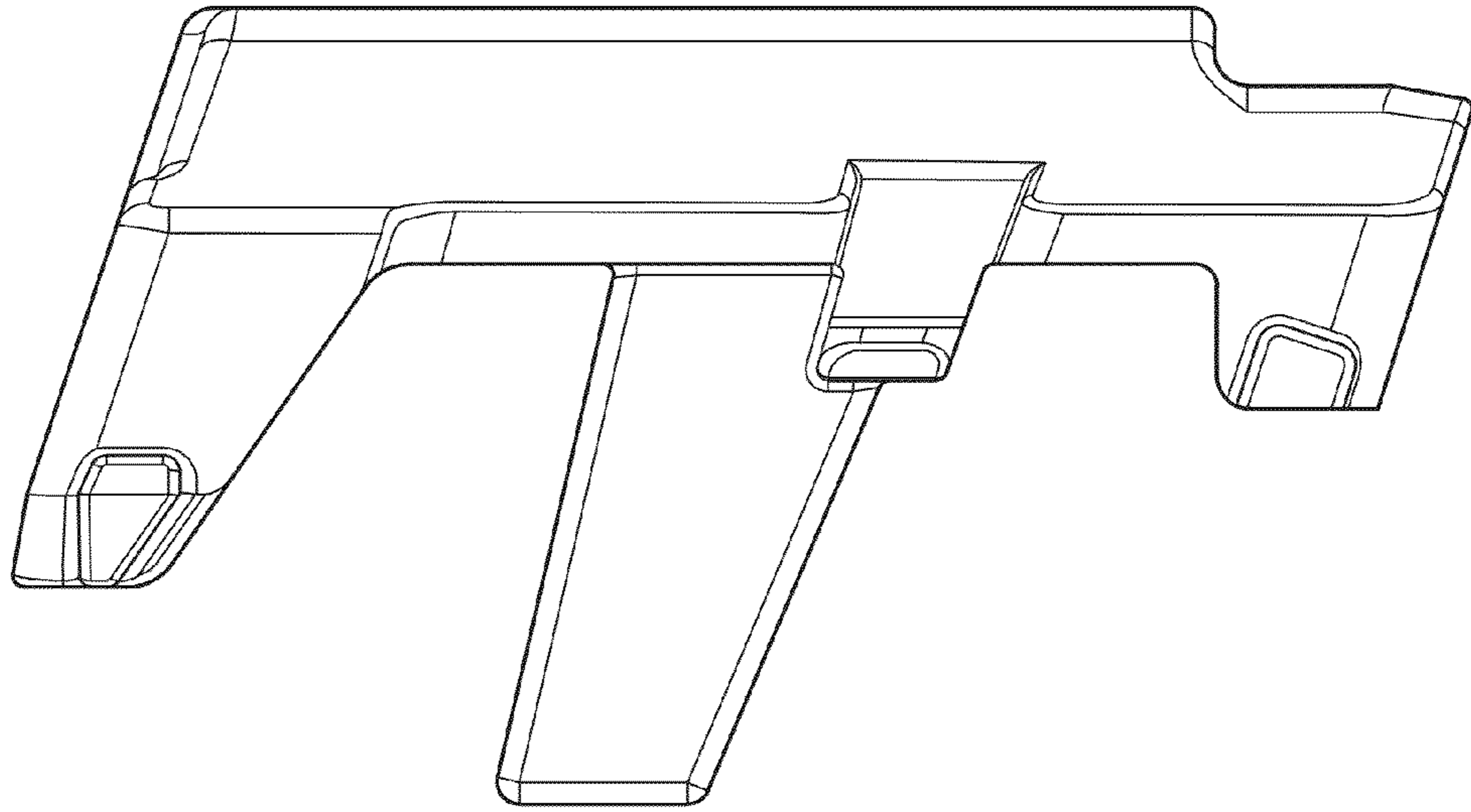
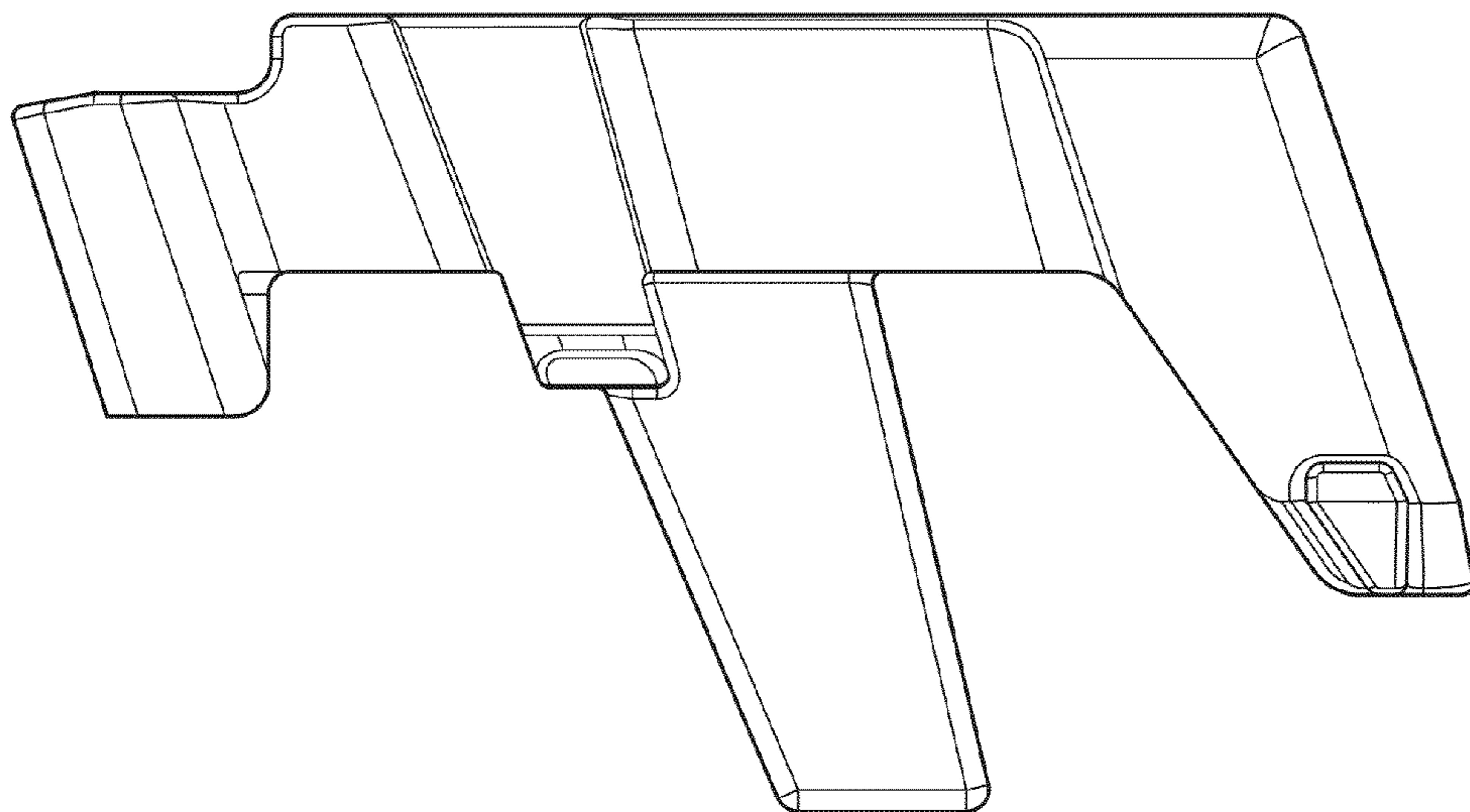


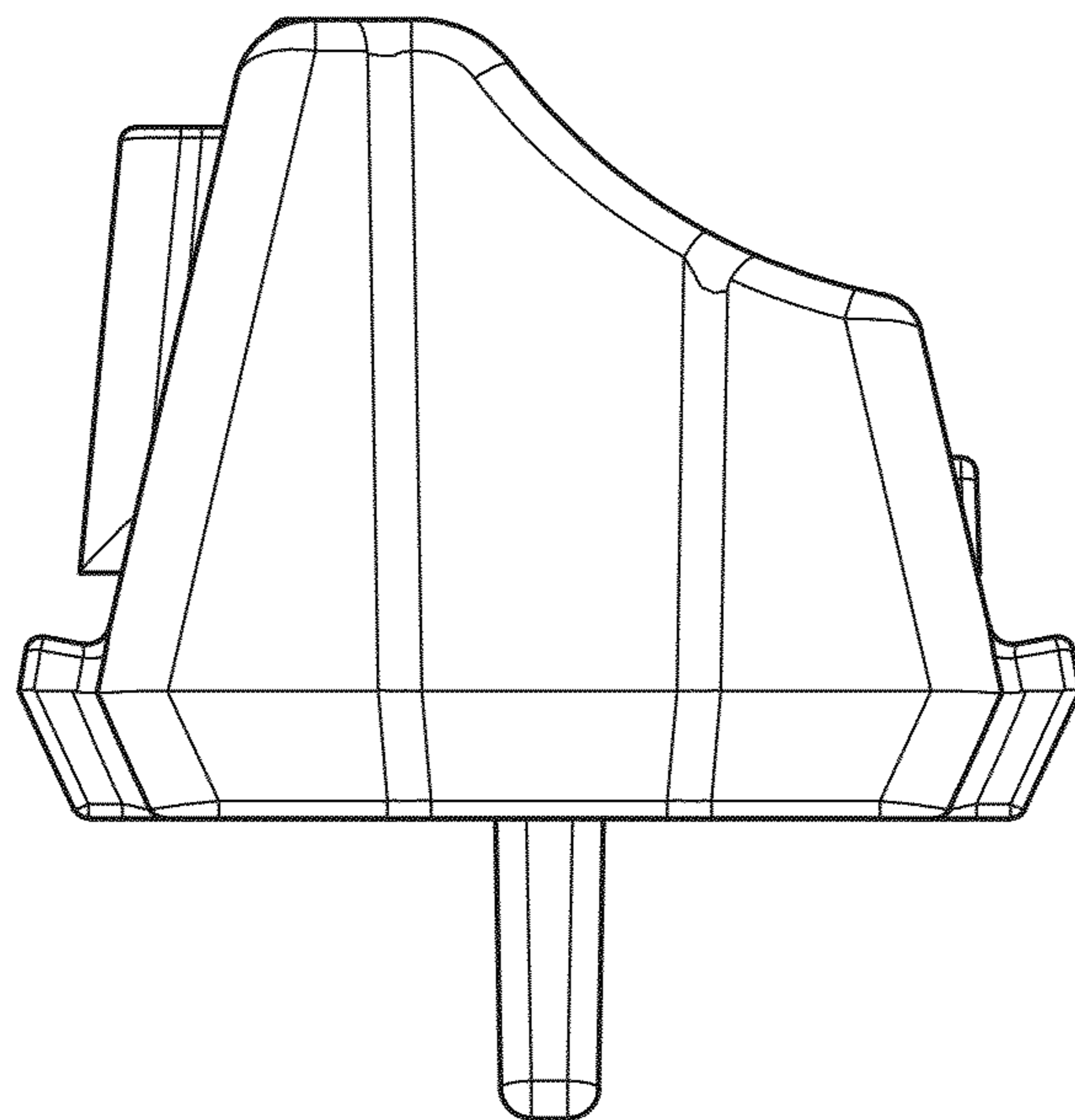
FIG. 2



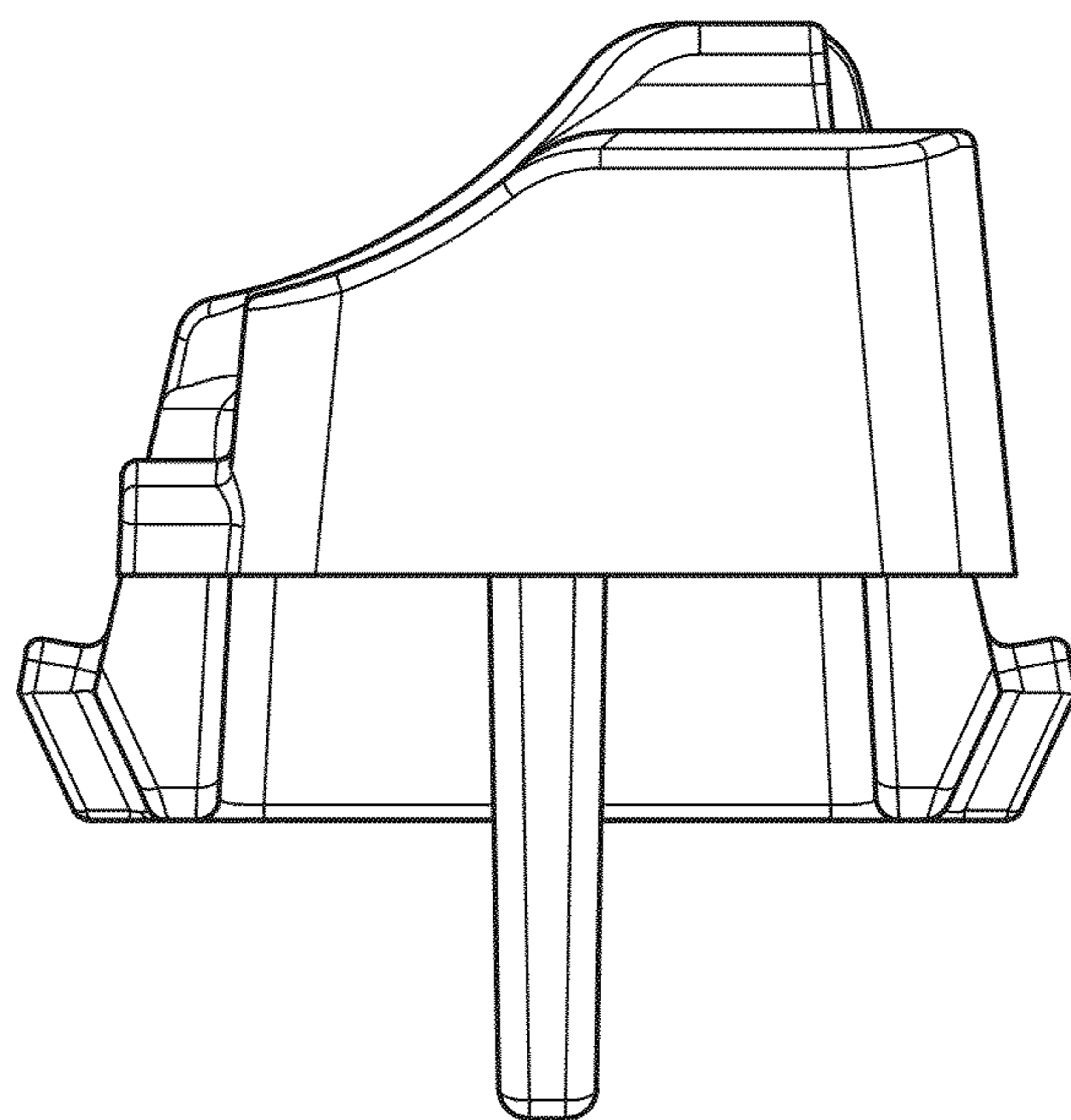
*FIG. 3*



*FIG. 4*



*FIG. 5*



*FIG. 6*

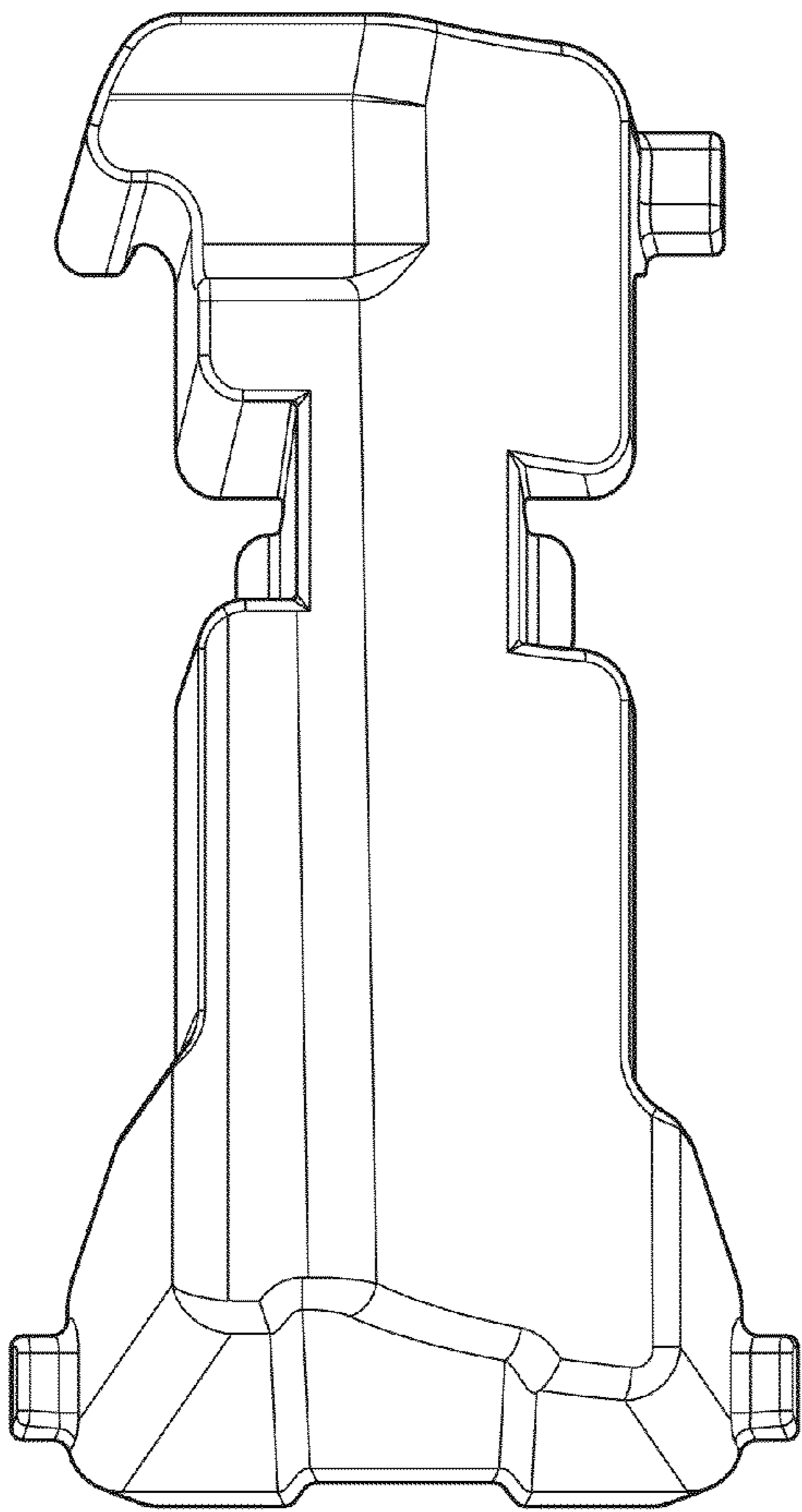


FIG. 7

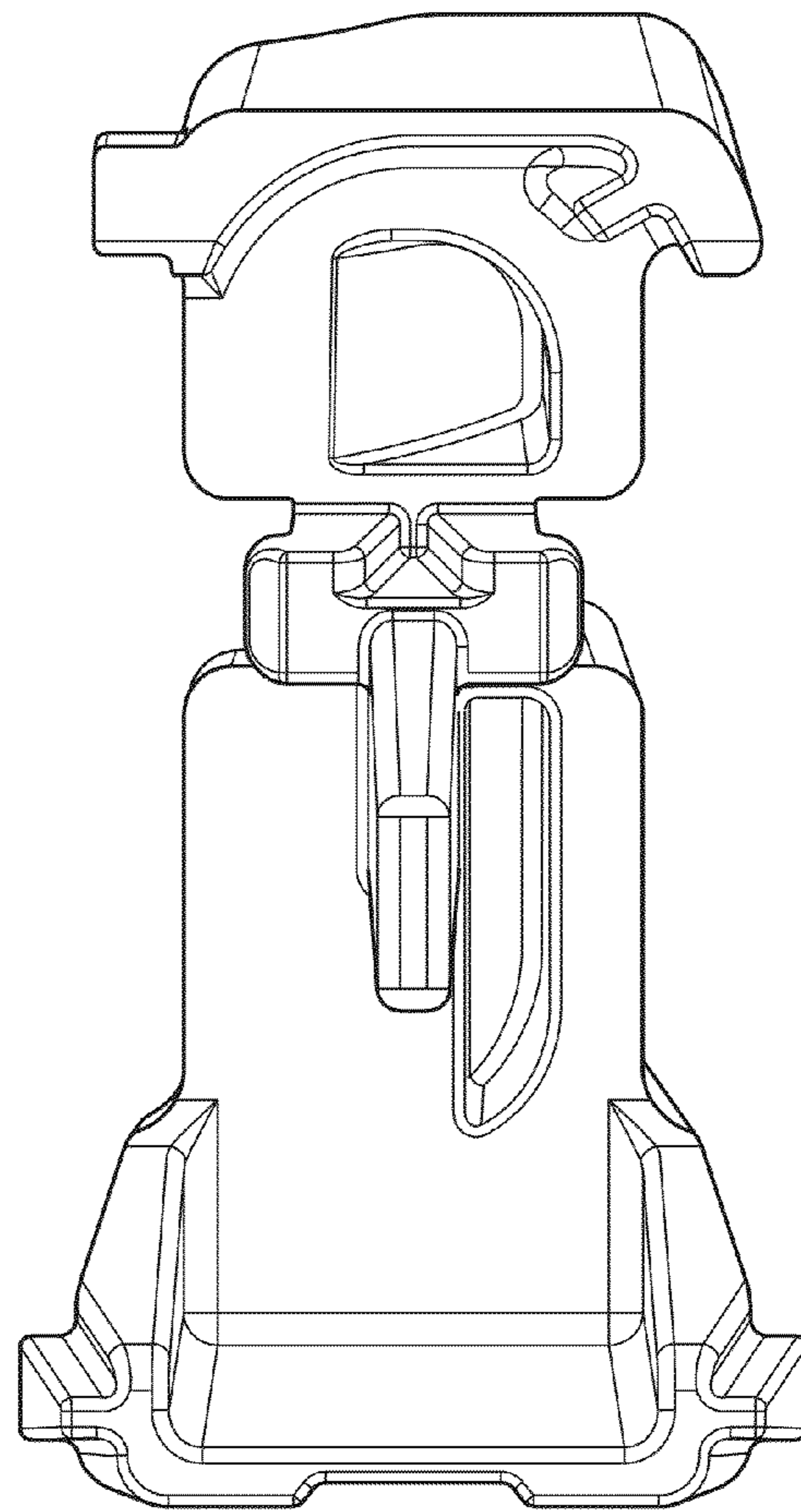


FIG. 8