



US00D745944S

(12) **United States Design Patent**
Kielsmeier et al.

(10) **Patent No.:** **US D745,944 S**

(45) **Date of Patent:** **** Dec. 22, 2015**

(54) **FLOOR PLATE FOR A FIREARM MAGAZINE**

(71) Applicant: **Magpul Industries Corporation**, Erie,
CO (US)

(72) Inventors: **Nicholas Kielsmeier**, Denver, CO (US);
Brian Nakayama, Arvada, CO (US);
Michael T. Mayberry, Denver, CO
(US); **Jeremy Fiester**, Lafayette, CO
(US)

(73) Assignee: **Magpul Industries Corporation**,
Louisville, CO (US)

(**) Term: **14 Years**

(21) Appl. No.: **29/502,184**

(22) Filed: **Sep. 12, 2014**

(51) **LOC (10) Cl.** **22-01**

(52) **U.S. Cl.**
USPC **D22/108**

(58) **Field of Classification Search**
USPC D22/108
CPC F41A 9/70; F41A 9/65; F41A 9/71;
F41A 9/68; F41A 9/69; F41A 9/61; F41A
9/00; F41A 9/17; F41A 9/23; F41A 9/34;
F41A 9/84; F41A 11/02
See application file for complete search history.

(56) **References Cited**

U.S. PATENT DOCUMENTS

4,100,694	A	7/1978	Musgrave	
4,139,959	A	2/1979	Howard	
4,484,404	A	11/1984	Johnson	
4,586,281	A	5/1986	Chestnut	
4,628,627	A	12/1986	Johnson	
D297,854	S	9/1988	Vyprachticky	
5,099,595	A	3/1992	Chestnut	
5,291,679	A *	3/1994	Wollack	F41A 9/67 42/50
D362,044	S	9/1995	Sniezak	
5,495,687	A *	3/1996	Waiser	F41A 9/70 42/50

5,799,432	A *	9/1998	Wright, Sr.	F41A 9/62 42/1.02
D401,992	S *	12/1998	Pearce	D22/100
5,906,065	A *	5/1999	Pearce	F41A 9/65 42/50
6,952,894	B1 *	10/2005	Vieweg	F41A 9/65 42/50
7,069,683	B1 *	7/2006	Kapusta	F41A 17/36 42/50

(Continued)

OTHER PUBLICATIONS

Brownells_2012_AR15-M16_20-30-Round_Magazines
Brownells (2012) AR-15/M16 20- & 30-Round Magazines; Website
[Online] Available Web Site: <http://www.brownells.com/.aspx/pid=21225/Product/AR-15-M16-20-30-ROUND-MAGAZINES>;
Last Update: unknown; Accessed on May 4, 2012.

(Continued)

Primary Examiner — Michael A Pratt

(74) *Attorney, Agent, or Firm* — Swanson & Bratschun,
L.L.C.

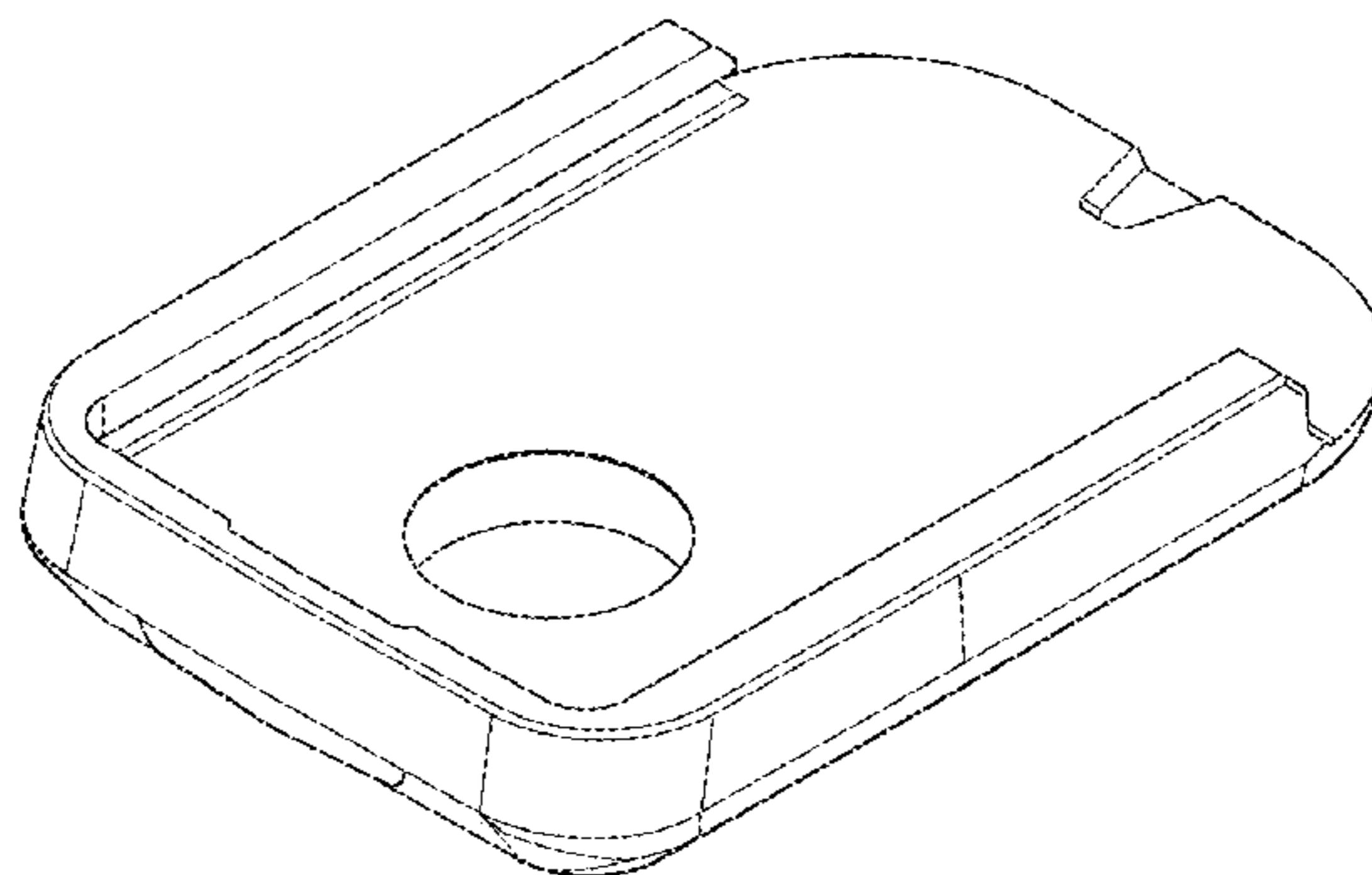
(57) **CLAIM**

The ornamental design for a floor plate for a firearm maga-
zine, as shown and described.

DESCRIPTION

FIG. 1 is a rear, right, top perspective view of a floor plate for
a firearm magazine showing our new design;
FIG. 2 is a front, right, bottom perspective view of the floor
plate for a firearm magazine of FIG. 1;
FIG. 3 is a bottom plan view of the floor plate for a firearm
magazine of FIG. 1;
FIG. 4 is a top plan view of the floor plate for a firearm
magazine of FIG. 1;
FIG. 5 is a right side elevation view of the floor plate for a
firearm magazine of FIG. 1, the left side being a mirror image
thereof;
FIG. 6 is a front elevation view of the floor plate for a firearm
magazine of FIG. 1; and,
FIG. 7 is a rear elevation view of the floor plate for a firearm
magazine of FIG. 1.

1 Claim, 3 Drawing Sheets



(56)

References Cited

U.S. PATENT DOCUMENTS

7,261,029 B1 8/2007 Davis
 7,373,751 B1 5/2008 Schaffer
 D593,635 S 6/2009 Fitzpatrick
 7,562,482 B1 7/2009 Johnson
 D600,303 S 9/2009 Fitzpatrick
 D614,719 S 4/2010 Fitzpatrick
 D614,720 S 4/2010 Fitzpatrick
 D614,721 S 4/2010 Fitzpatrick
 D616,057 S 5/2010 Fitzpatrick
 D620,544 S 7/2010 Fitzpatrick
 D620,545 S 7/2010 Fitzpatrick
 D632,752 S 2/2011 Fitzpatrick
 D633,164 S 2/2011 Fitzpatrick
 D633,589 S 3/2011 Fitzpatrick
 D633,590 S 3/2011 Fitzpatrick
 7,958,660 B2 6/2011 Fitzpatrick
 D642,234 S 7/2011 Marfione
 D642,647 S 8/2011 Fitzpatrick
 8,061,255 B1 11/2011 Boberg
 D678,455 S 3/2013 Hatfield
 D680,613 S 4/2013 Fitzpatrick
 D681,151 S 4/2013 Fitzpatrick
 D688,766 S 8/2013 Fitzpatrick
 D688,767 S 8/2013 Bennett
 D691,233 S 10/2013 Bennett
 D695,378 S 12/2013 Fitzpatrick et al.
 8,683,725 B2 4/2014 Munson
 D704,790 S 5/2014 Mayberry et al.
 D705,886 S 5/2014 Kielmeier et al.
 8,726,561 B1 * 5/2014 Hampton F41A 9/65
 42/106
 D706,895 S 6/2014 Zayatz et al.
 D710,479 S 8/2014 Nakayama et al.
 8,793,919 B1 * 8/2014 Probst, Jr. F41C 27/00
 42/108
 D726,279 S * 4/2015 Stedman D22/108
 9,032,655 B2 * 5/2015 Spine F41A 9/70
 42/49.01
 2007/0271834 A1 11/2007 Keng
 2008/0028661 A1 * 2/2008 Bubits F41A 9/71
 42/49.01
 2010/0251590 A1 10/2010 Fitzpatrick
 2012/0066950 A1 3/2012 Davidson
 2012/0255209 A1 10/2012 Klassen
 2012/0317857 A1 12/2012 Fitzpatrick
 2013/0086834 A1 4/2013 Battaglia
 2013/0227870 A1 * 9/2013 Rendulic F41A 9/65
 42/50
 2013/0333261 A1 * 12/2013 Clifton, Jr. F41A 9/65
 42/50
 2014/0007480 A1 * 1/2014 Pulit, Jr. F41A 15/00
 42/50
 2014/0283427 A1 * 9/2014 Castro F41A 9/67
 42/49.01
 2015/0192377 A1 * 7/2015 Larson, Jr. F41A 9/70
 42/50
 2015/0192383 A1 * 7/2015 Shrode F41A 11/02
 42/7
 2015/0276339 A1 * 10/2015 Shreve F41A 9/65
 42/50

OTHER PUBLICATIONS

Brownells AR-15/M16 Tactical Magazine Brownells (Apr. 20, 2010) AR-15/M16 Tactical Magazine; Website [Online] Available Web Site: http://www.brownells.com/.aspx/pid=24307/Product/AR_15_M16_TACTICAL_MAGAZINE; Last Update: Unknown; Accessed on: Apr. 20, 2010.
 Cheaperthandirt.com 2010 Mag AR-15 223 Orlite Cheaperthandirt.com (Apr. 20, 2010) Mag AR-15.223 Orlite 30 Round Israeli Shows Field Use; Website [Online] Available Web Site: <http://www.cheaperthandirt.com/MAG105-1.html>; Last Update: Unknown; Accessed on: Apr. 20, 2010.

EMA Tactical CDMAG Countdown Magazine EMA Tactical (Apr. 20, 2010) CDMAG Countdown Magazine; Website [Online] Available Web Site: <http://www.ematactical.com/viewProduct.asp?ID=278&catID=8>; Last Update: Unknown, Accessed on: Apr. 20, 2010.
 Foltz (Feb. 21, 2007) 5.56mm 30 Round Magazine Improvement Programs; PDF [Online] Available Web Site: <http://www.dtic.mil/ndia/2006smallarms/foltz.pdf> Last Update: Feb. 21, 2007; Accessed on: Apr. 20, 2010.
 Gunbroker.com 2010 Eagle International 223 Polymer Magazine Gunbroker.com (Apr. 20, 2010) Eagle International .223 Polymer Magazine 223; Website [Online] Available Web Site: <http://www.gunbroker.com/Auction/ViewItem.aspx?Item=164602069#PIC>; Last Update: Unknown; Accessed on: Apr. 20, 2010.
 HKParts.net 2010 HK G36 30 Round Magazine HK Parts.net (Apr. 20, 2010) HK G36 30 Round Magazine; Website [Online] Available Web Site: <http://www.hkparts.net/shop/pc/HK-G36-30-Round-Mag-Fits-G36-G36K-G36C-Converted-SL8-s-182p624.htm>; Last Update: Unknown; Accessed on: Apr. 20, 2010.
 HKParts.net 2010 30 Round HK 416 KCI Steel 556 Magazine HK Parts.net (Apr. 20, 2010) 30 Round HK 416 KCI Steel .556 Magazine; Website [Online] Available Web Site: <http://www.hkparts.net/shop/pc/30-Round-HK-416-KCI-Steel-556-Magazine-64p982.htm>; Last Update: Unknown; Accessed on: Apr. 20, 2010.
 HKParts.net 2010 SL8 20 Round Single Stack Magazine HK Parts.net (May 7, 2010) SL8 20 Round Single Stack Magazine; Website [Online] Available Web Site: <http://www.hkparts.net/shop/pc/SL8-20-Round-Single-Stack-Magazine-182p805.htm>; Last Update: Jul. 6, 2010; Accessed on May 4, 2012.
 Lancer Systems 2010 L5 Translucent Magazine Lancer Systems (Apr. 20, 2010) L5 Translucent Magazine; Website [Online] Available Web Site: http://www.lancer-systems.com/L5_2010_30.html; Last Update: Unknown; Accessed on: Apr. 20, 2010.
 Lancer Systems 2010 L5 Translucent Magazine 20-30 Round Lancer Systems (Apr. 16, 2010) L5 Translucent Magazine 2- & 30 Round Magazines; Website [Online] Available Web Site: http://www.lancer-systems.com/L5_2010_30.html; Last Update: Nov. 14, 2010; Accessed on: May 4, 2012.
 Lancer Systems 2012 AWM Magazine Lancer Systems (2012) L5 AWM Magazine; Website [Online] Available Web Site: http://www.lancer-systems.com/L5_AWM.html; Last Update: Unknown; Accessed on: May 4, 2012.
 Magpul 2010 PMAG Magazines Magpul (Jan. 3, 2010) PMAG Magazines; Website [Online] Available Web Site: http://store.magpul.com/prod_detail_list/2 Last Update: Dec. 2, 2010 Accessed on: May 4, 2012.
 Remtek.com 1999 Steyr AUG Magazine Group Remtek.com (Oct. 4, 1999) Steyr AUG Magazine Group; Website [Online] Available Web Site: <http://www.remtek.com/arms/steyr/aug/specs/magazine/magazine.htm> Last Update: Apr. 7, 2009; Accessed on: May 4, 2012.
 Tangodown 2010 ARC-L Magazine TangoDown (Apr. 20, 2010) ARC-L Magazine; Website [Online] Available Web Site: http://tangodown.com/shop/product_info.php?products_id=126; Last Update: Unknown, Accessed on: Apr. 20, 2010.
 ThermoldMagazines.com 2010 Magazines Thermoldmagazines.com (Apr. 20, 2010) Magazines; Website [Online] Available Web Site: <http://www.thermoldmagazines.com/magazines.html>; Last Update: Unknown; Accessed on: Apr. 20, 2010.
 ThermoldMagazines.com 2012 M-16AR-M15-30-Magazines Thermoldmagazines.com (2012) M-16/AR-15/30-Magazine; Website [Online] Available Web Site: <http://www.thermoldmagazines.com/collections/magazines-accessories/products/m-16-ar-15-30-magazine>; Last Update: Unknown; Accessed on: May 4, 2012.
 Troy 2010 Troy BattleMag Troy Industries (Apr. 20, 2010) Troy BattleMag; Website [Online] Available Web Site: http://store.troyind.com/Troy_BattleMag_p/smag-sin-00bt-00.htm; Last Update: Unknown; Accessed on: Apr. 20, 2010.
 Design U.S. Appl. No. 29/354,007, filed Jan. 18, 2010, "Small Capacity Firearm Magazine" by Fitzpatrick Issued.

(56)

References Cited

OTHER PUBLICATIONS

Design U.S. Appl. No. 29/354,008, filed Jan. 18, 2010, "Medium Capacity Firearm Magazine" by Fitzpatrick Issued.
 Design U.S. Appl. No. 29/354,005, filed Jan. 18, 2010, "Large Capacity Firearm Magazine" by Fitzpatrick Issued.
 Design U.S. Appl. No. 29/354,001, filed Jan. 18, 2010, "Firearm Magazine" by Fitzpatrick Issued.
 Design U.S. Appl. No. 29/410,910, filed Jan. 13, 2012, "PMAG 30M3 Firearm Magazine" by Fitzpatrick Issued.
 Design U.S. Appl. No. 29/420,155, filed May 4, 2012, "Translucent Magazine for a Firearm" by Fitzpatrick.
 Design U.S. Appl. No. 29/423,116, filed May 29, 2012, "M3 10 Magazine" by Bennett Issued.
 Design U.S. Appl. No. 29/423,117, filed May 29, 2012, "M3 20 Magazine" by Bennett.
 Design U.S. Appl. No. 29/440,787, filed Dec. 27, 2012, "Firearm Magazine" by Mayberry.
 Design U.S. Appl. No. 29/440,889, filed Dec. 28, 2012, "Firearm Magazine" by Kielsmeier.
 Design U.S. Appl. No. 29/440,792, filed Dec. 27, 2012, "Firearm Magazine with Window" by Kielsmeier.
 Design U.S. Appl. No. 29/450,963, filed Mar. 26, 2013, "Magazine for a Firearm" by Nakayama.

Design U.S. Appl. No. 29/450,964, filed Mar. 26, 2013, "Magazine for a Firearm" by Nakayama.
 Glock_2012_Glock_17 Glock (Jan. 7, 2012) Glock 17; Website [Online] Available Website: <http://us.glock.com/products/model/g17>; Last Update: Oct. 9, 2014; Accessed on: Jan. 21, 2015.
 Glock_Store_2013_Glock_Factory_Magazines Glock Store (Jun. 7, 2013) Glock Factory Magazines; Website [Online] Available Website: <http://www.glockstore.com/glock-factory-magazines/standard-glock-factory-magazines>; Last Update: Nov. 18, 2014; Accessed on: Jan. 21, 2015.
 Glock_Store_Glock_Mag_Floor_Plate Glock Store Glock Mag Floor Plate 9/40/.357/.45GAP; Website [Online] Available Website: <http://glockstore.com/mag-parts-extensions/glock-mag-floor-plate-9-40-357-45gap>; Last Update: Unknown; Accessed on: Jan. 21, 2015.
 Glock_Store_Glock_Mag_Follower_9mm_New_Style Glock Store Glock Mag Follower 9mm New Style; Website [Online] Available Website: <http://www.glockstore.com/mag-parts-extensions/glock-mag-follower-9mm-new-style-new-version-6>; Last Update: Unknown; Accessed on: Jan. 21, 2015.
 Design U.S. Appl. No. 29/410,972, "Slimline Bottom Plate for a Firearm Magazine" filed Jan. 13, 2012 (Issued).
 Design U.S. Appl. No. 29/410,864, "Firearm Magazine with Window" filed Jan. 12, 2012, (Issued).

* cited by examiner

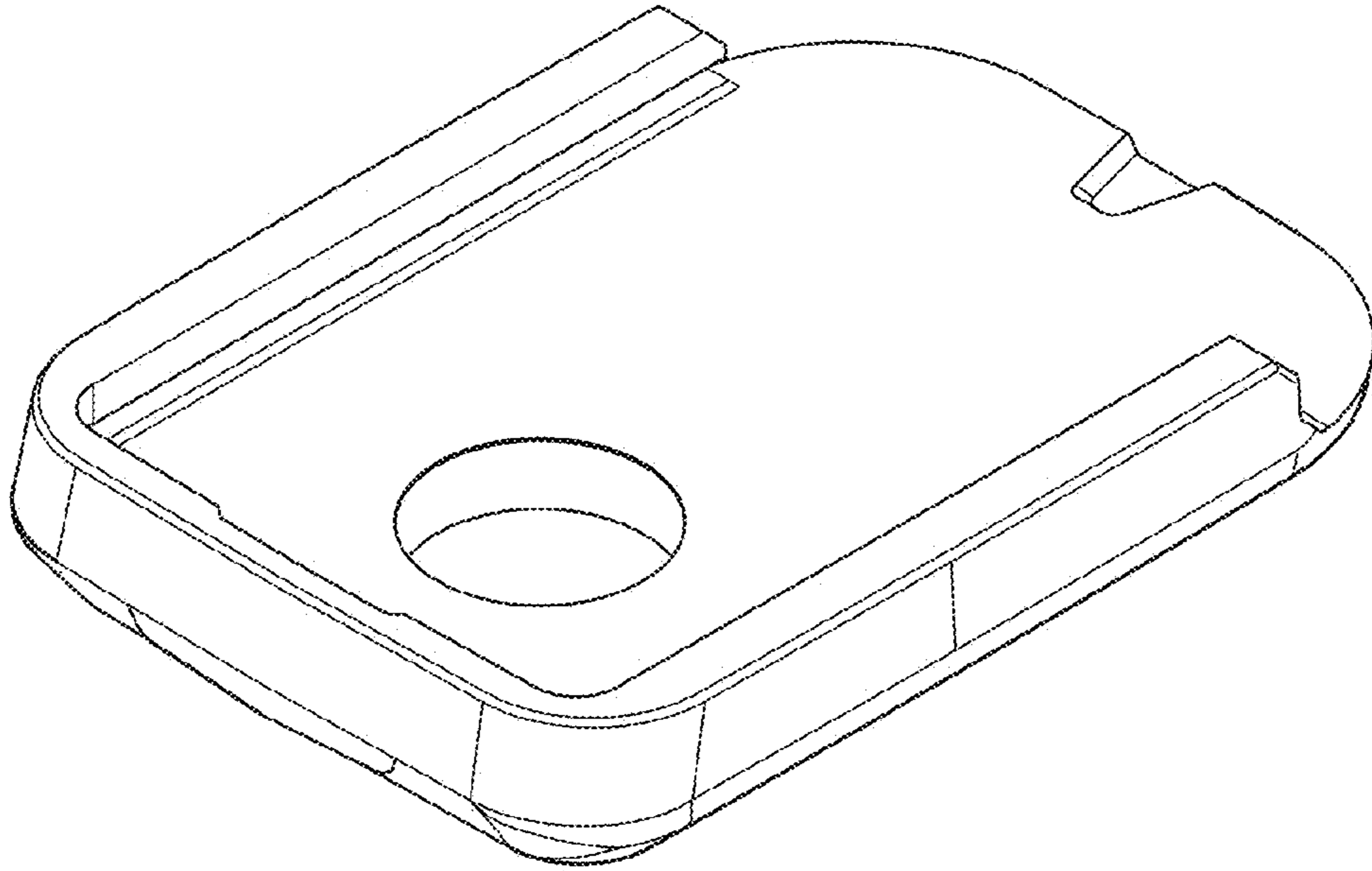


FIG. 1

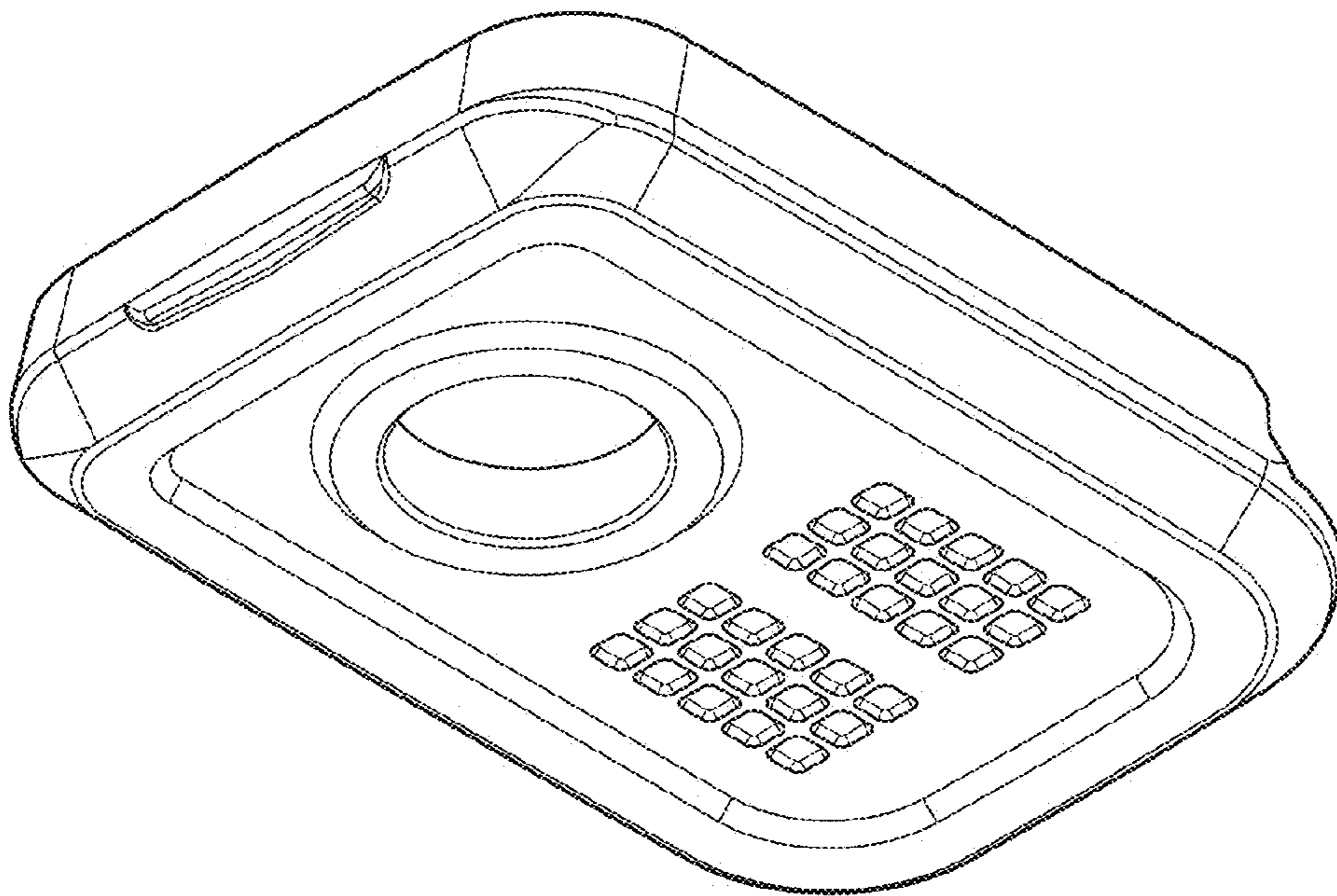


FIG. 2

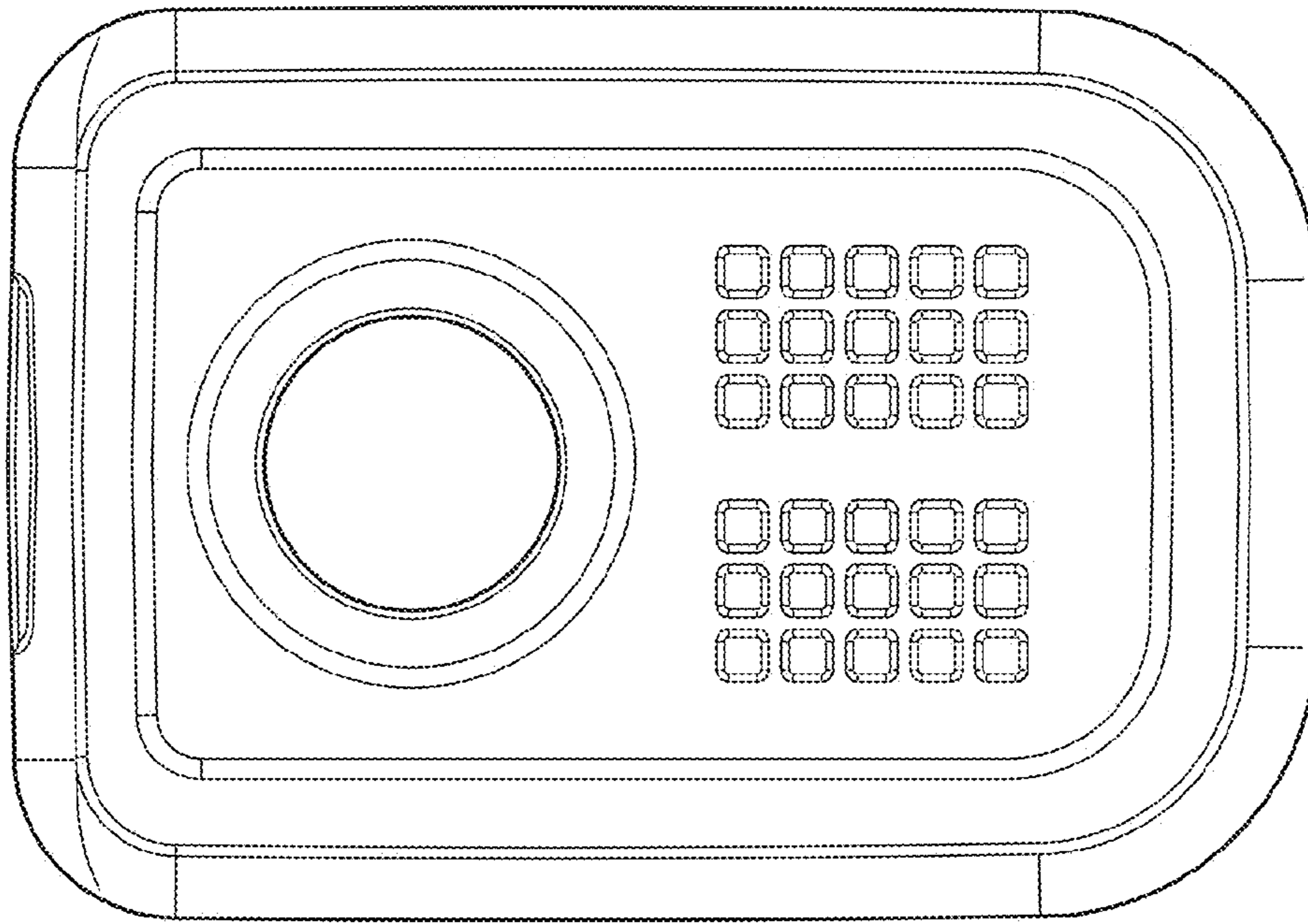


FIG. 3

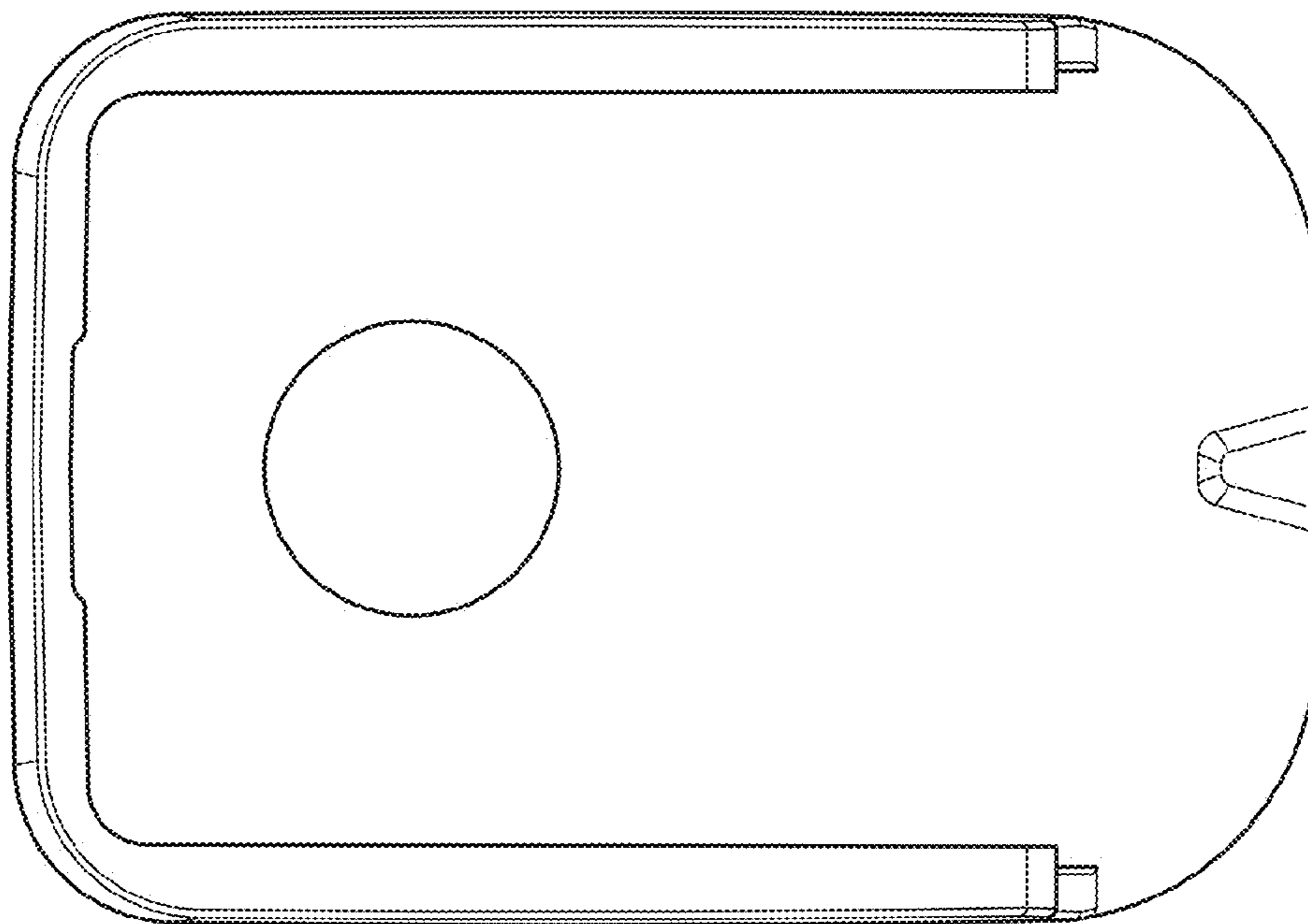


FIG. 4

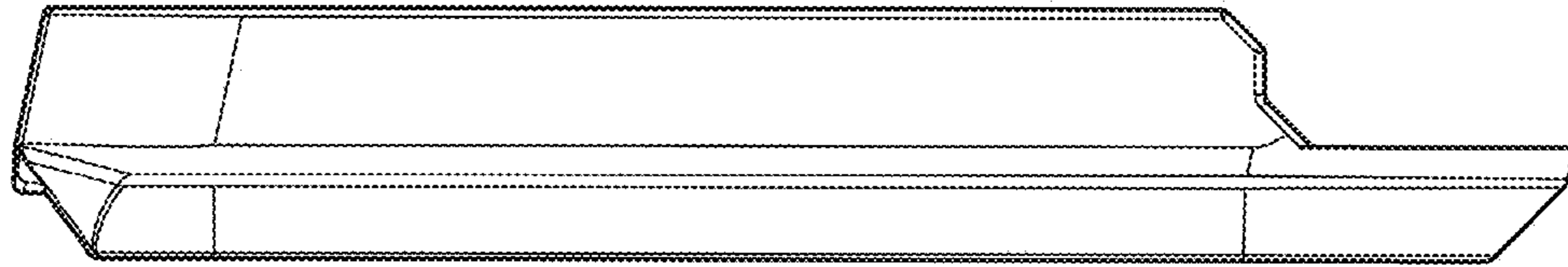


FIG. 5

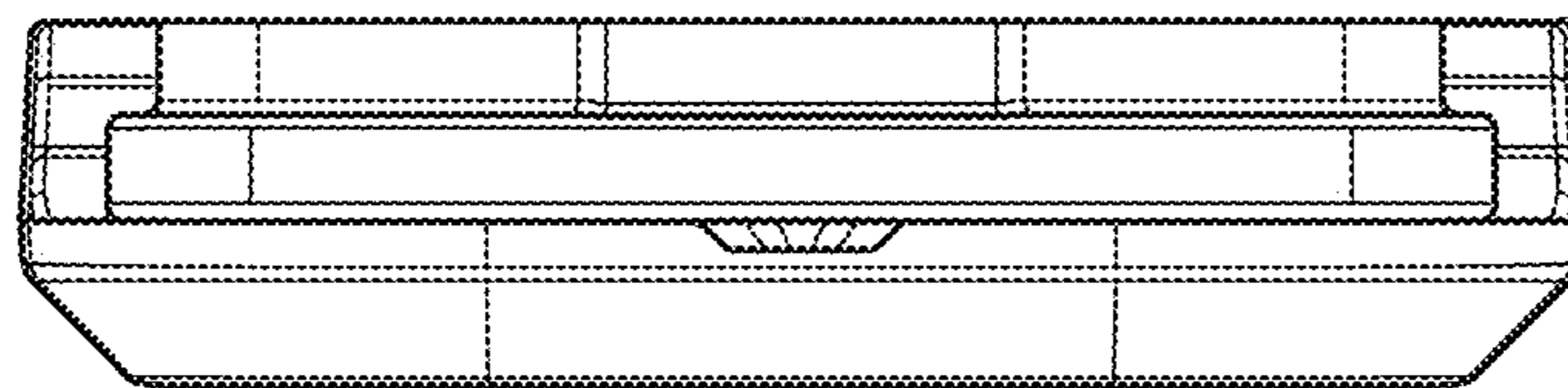


FIG. 6

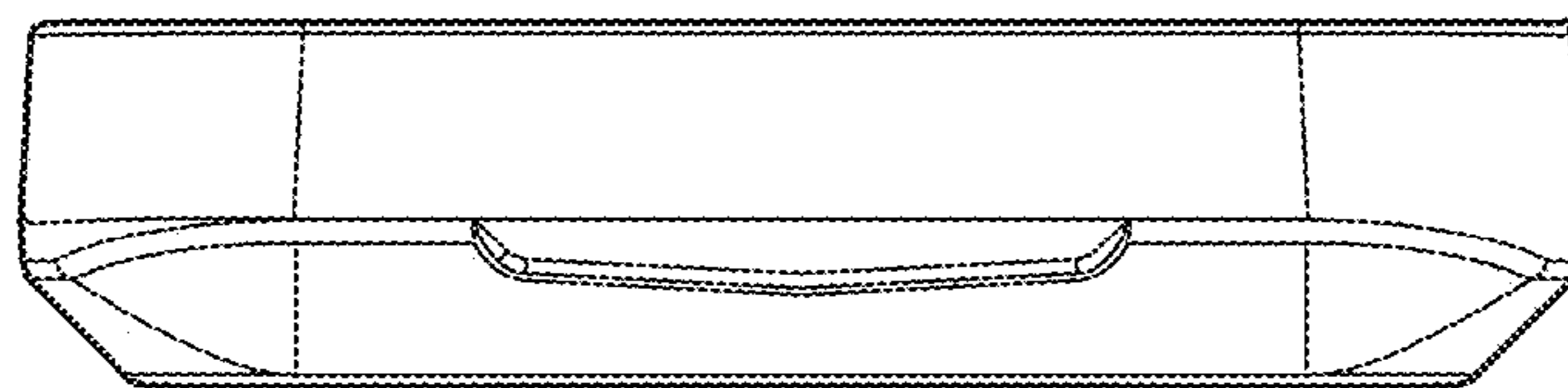


FIG. 7