



US00D745942S

(12) **United States Design Patent**  
**Sheikh et al.**

(10) **Patent No.:** **US D745,942 S**  
(45) **Date of Patent:** **\*\* Dec. 22, 2015**

(54) **FRONT PORTION OF A STUN GUN**

(71) Applicants: **Yasar Sheikh**, Sanford, FL (US);  
**Shabbir Sheikh**, Sanford, FL (US)

(72) Inventors: **Yasar Sheikh**, Sanford, FL (US);  
**Shabbir Sheikh**, Sanford, FL (US)

(\*\*) Term: **14 Years**

(21) Appl. No.: **29/496,149**

(22) Filed: **Jul. 9, 2014**

**Related U.S. Application Data**

(62) Division of application No. 29/452,100, filed on Apr. 11, 2013, now Pat. No. Des. 715,889.

(51) **LOC (10) Cl.** ..... **22-01**

(52) **U.S. Cl.**  
USPC ..... **D22/108**

(58) **Field of Classification Search**  
USPC ..... D22/108, 117-118; 222/78-79, 153.03,  
222/153.11, 162, 175, 192, 402.1, 402.11,  
222/504; 231/1, 3, 7, 232; 42/1.08, 1.09,  
42/1.12

See application file for complete search history.

(56) **References Cited**

U.S. PATENT DOCUMENTS

D715,889 S \* 10/2014 Sheikh ..... D22/117

\* cited by examiner

*Primary Examiner* — Michael A Pratt

(74) *Attorney, Agent, or Firm* — QuickPatents; Kevin Prince

(57) **CLAIM**

We claim the ornamental design for a front portion of a stun gun, as shown and described.

**DESCRIPTION**

FIG. 1 is a perspective view of a front portion of a stun gun, showing our new design;

FIG. 2 is a front elevational view of FIG. 4;

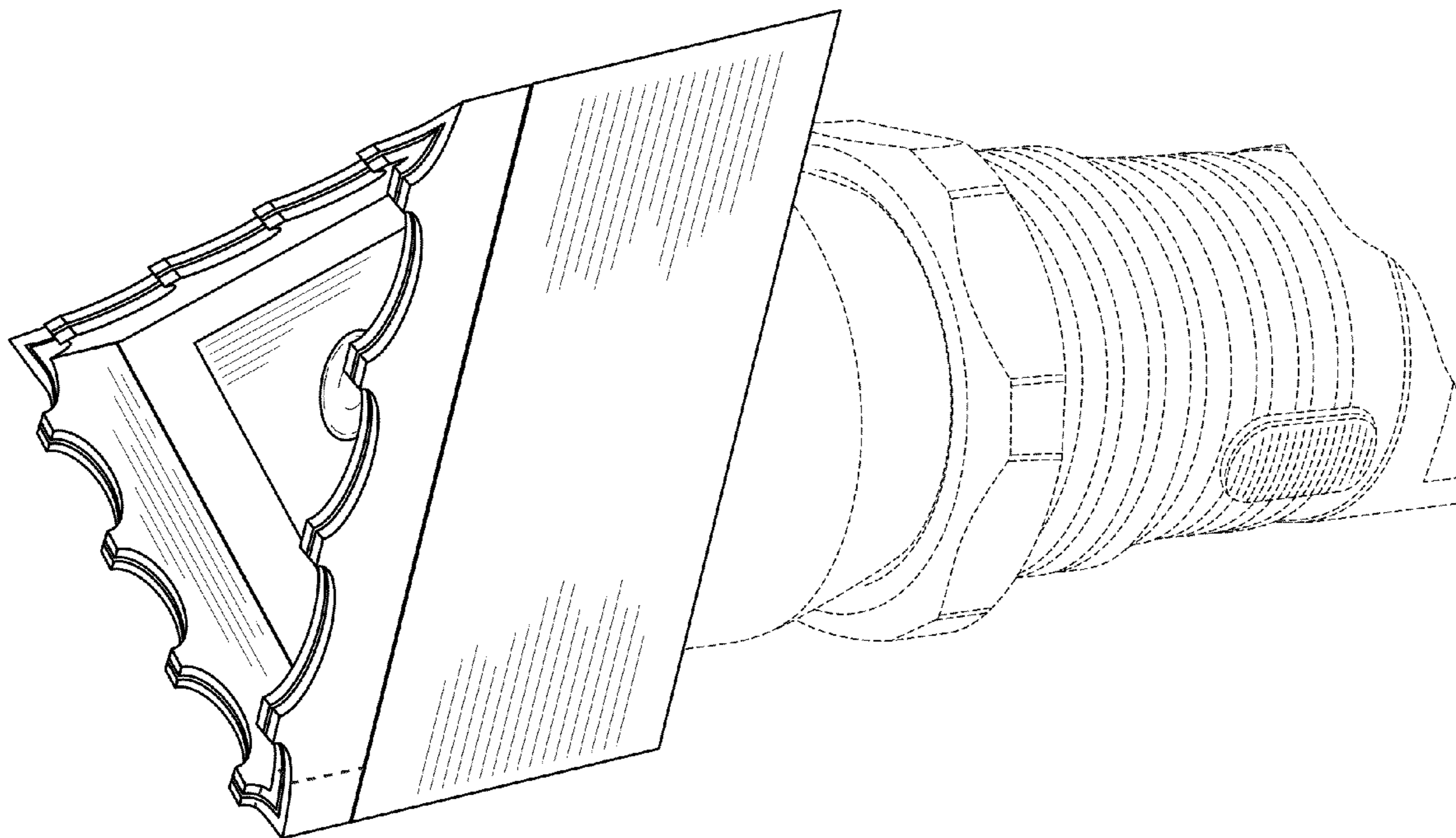
FIG. 3 is a top plan view of FIG. 4, the bottom plan view being a mirror image thereof;

FIG. 4 is a right-side elevational view of FIG. 4; and,

FIG. 5 is a left-side elevational view of FIG. 4.

The broken lines showing a remaining portion of a stun gun depict environmental matter, and form no part of the claimed design. The remaining broken lines shown on the design in the figures represent potential boundary lines for future continuation applications. The rear elevational view constitutes no part of the claimed design.

**1 Claim, 3 Drawing Sheets**



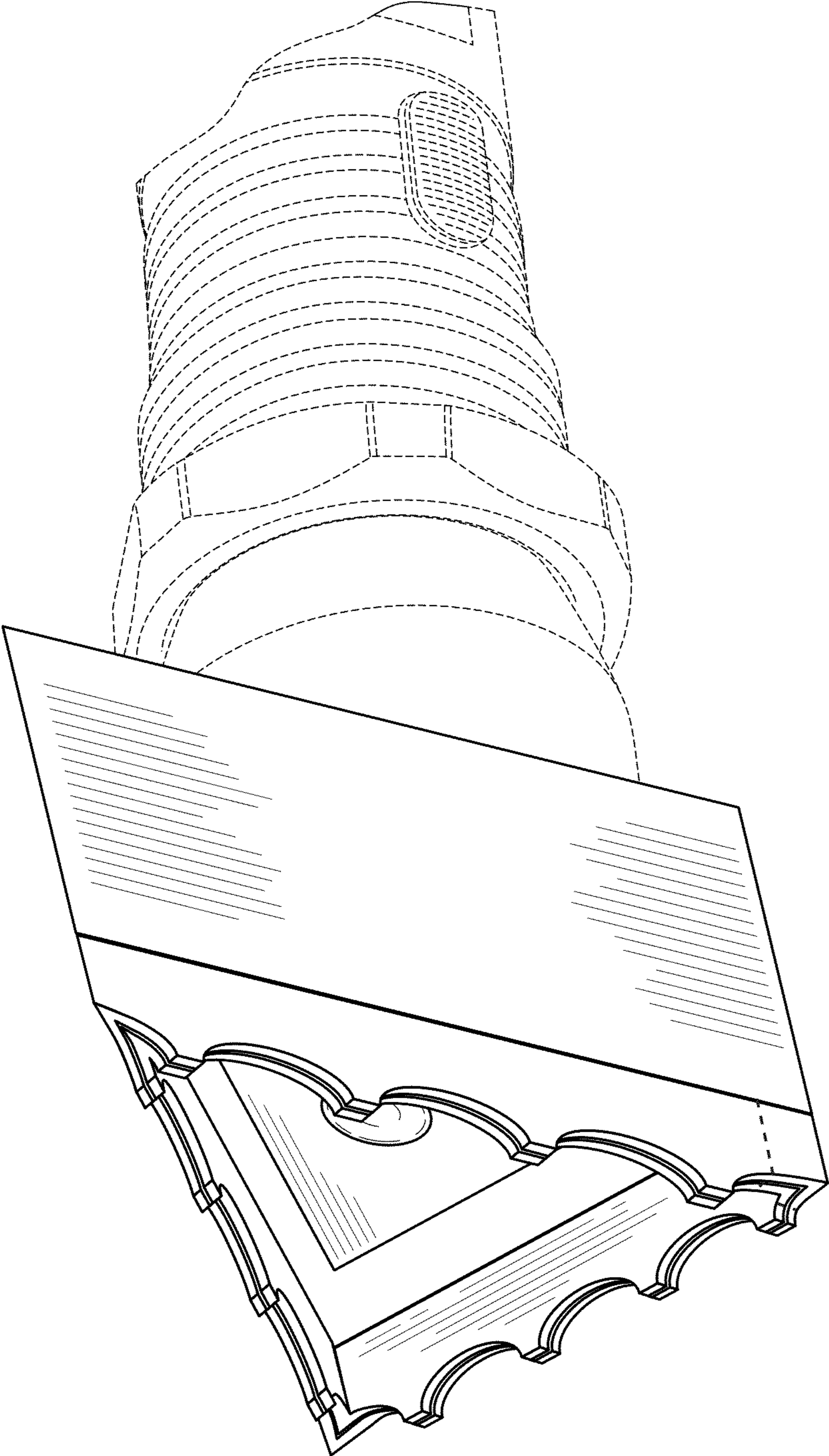


FIG. 1

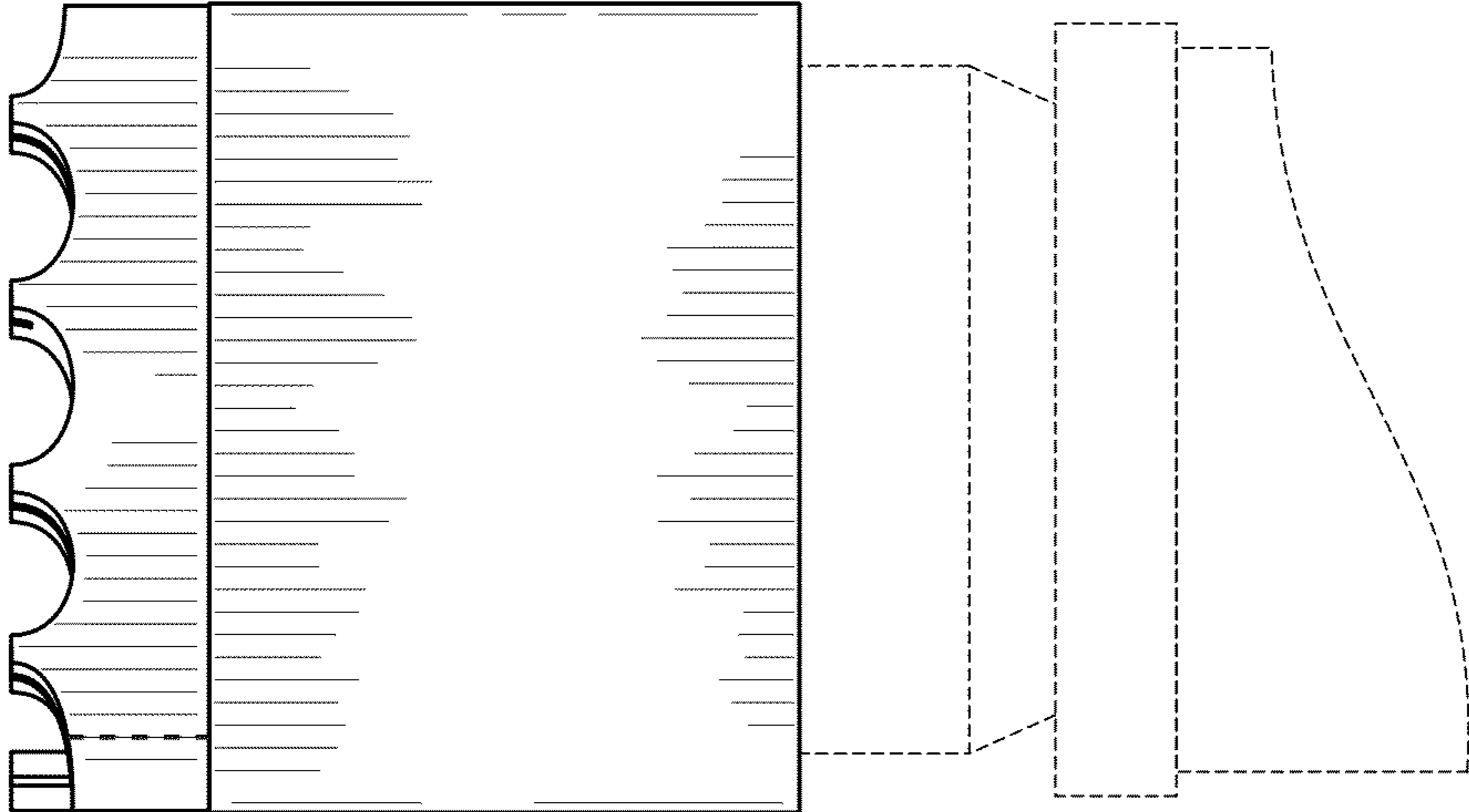


FIG. 3

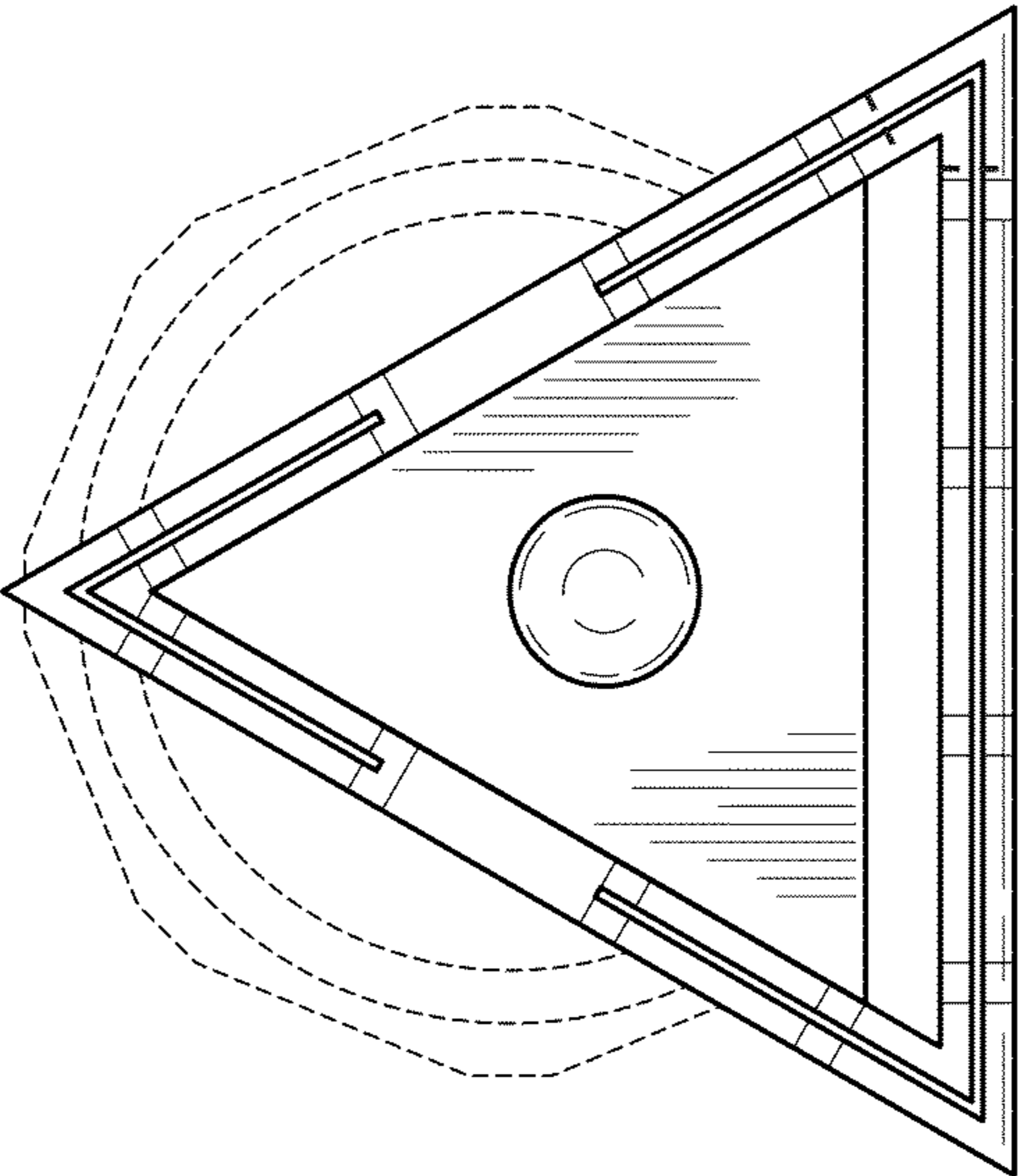


FIG. 2

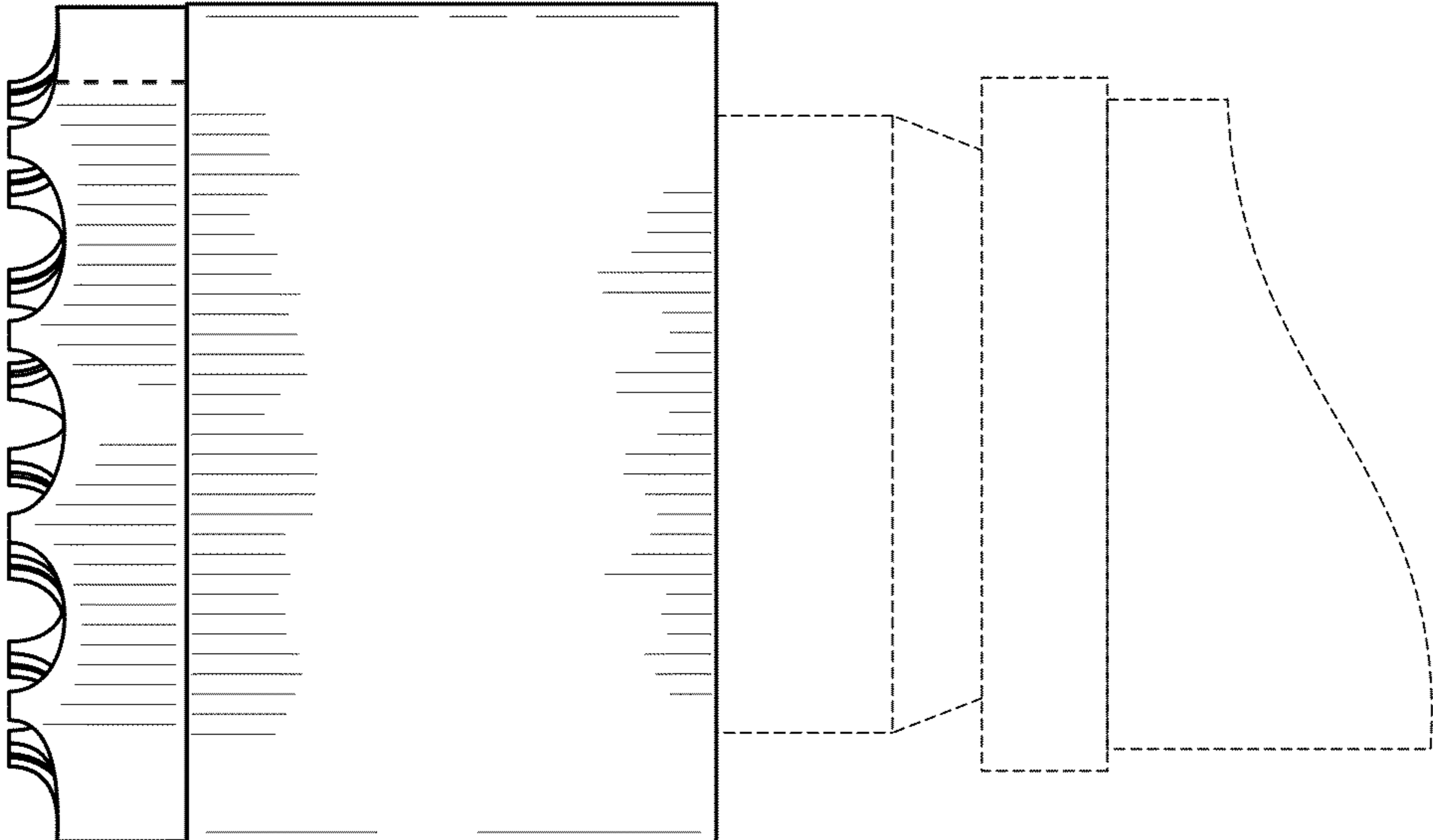


FIG. 5

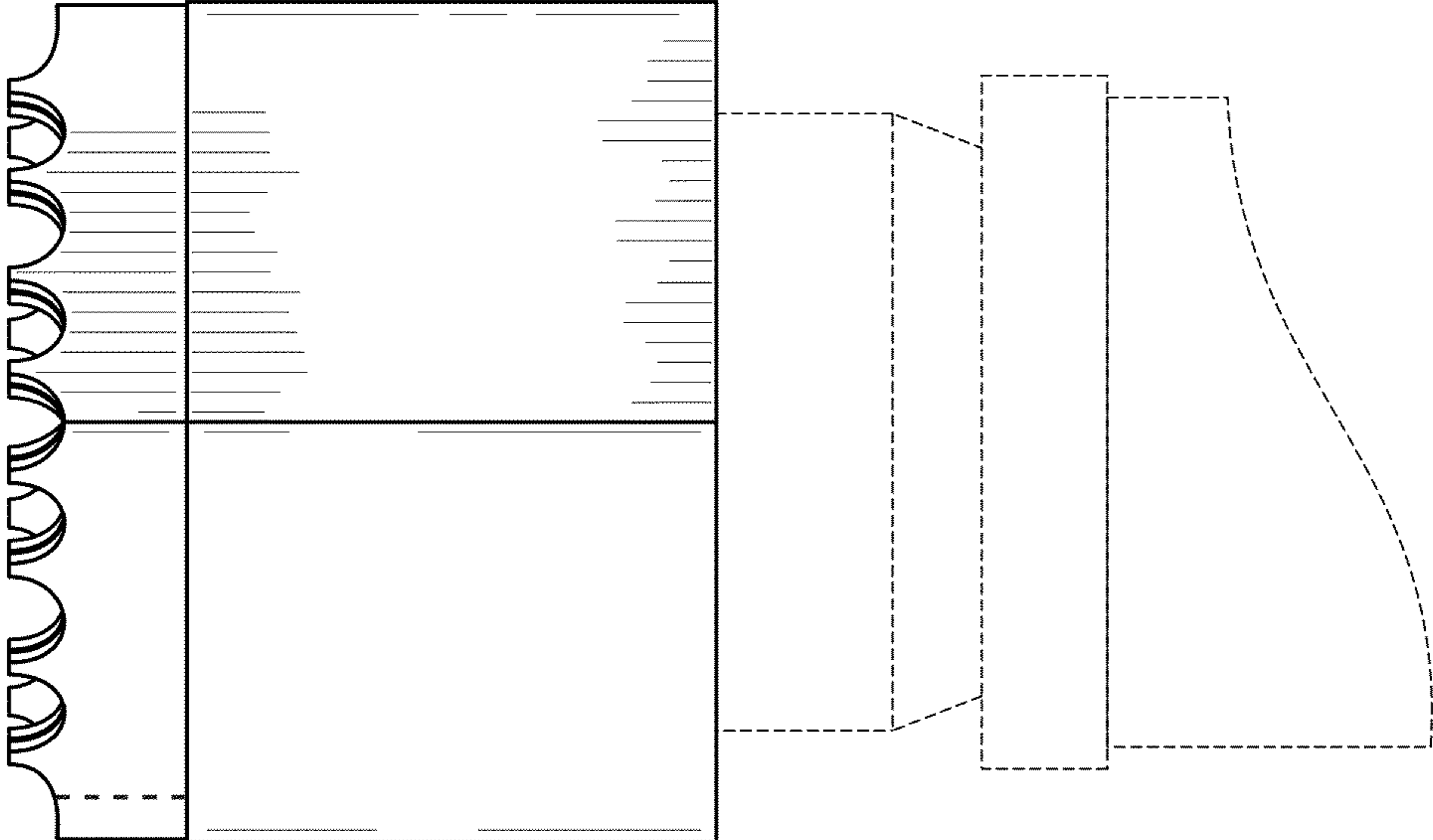


FIG. 4