



US00D745941S

(12) **United States Design Patent**
Bosco et al.

(10) **Patent No.:** **US D745,941 S**

(45) **Date of Patent:** **** Dec. 22, 2015**

(54) **FOREARM-GRIPPING STABILIZING ATTACHMENT**

(71) Applicants: **Alessandro Roberto Bosco**, St. Petersburg, FL (US); **Grant Bickford Shaw**, St. Petersburg, FL (US)

(72) Inventors: **Alessandro Roberto Bosco**, St. Petersburg, FL (US); **Grant Bickford Shaw**, St. Petersburg, FL (US)

(**) Term: **14 Years**

(21) Appl. No.: **29/492,627**

(22) Filed: **Jun. 2, 2014**

(51) **LOC (10) Cl.** **22-01**

(52) **U.S. Cl.**
USPC **D22/108**

(58) **Field of Classification Search**
USPC D22/103, 108; 89/111–113; 359/399, 359/823, 744; 42/104, 105, 111–113, 116, 42/120, 124–126, 127–129, 141–148, 42/133–140; 33/227, 229
CPC F41G 1/00; F41G 1/01; F41G 1/02; F41G 1/06; F41G 1/065; F41G 1/08; F41G 1/10; F41G 1/12; F41G 1/14; F41G 1/30; F41G 1/32; F41G 1/38; F41G 1/40; F41G 1/42; F41G 1/44; F41G 1/46; F41G 1/383; F41G 1/387; F41G 1/393; F41G 3/00; F41G 3/005; F41G 3/02; F41G 3/04; F41G 3/06; F41G 3/14; F41G 11/002; F41G 11/003; F41G 11/004; F41G 11/005
See application file for complete search history.

(56) **References Cited**

U.S. PATENT DOCUMENTS

2,436,175 A * 2/1948 Neal 89/127

3,162,966 A *	12/1964	La Coss	42/72
3,648,396 A *	3/1972	Smith	42/94
4,291,482 A *	9/1981	Bresan	42/72
5,180,874 A *	1/1993	Troncoso, Jr.	42/72
6,016,620 A *	1/2000	Morgan	42/94
7,028,427 B2 *	4/2006	Crawford	42/72
D706,896 S *	6/2014	Bosco	D22/108
D728,724 S *	5/2015	Bosco	D22/108
2009/0049731 A1 *	2/2009	Seuk	42/94

* cited by examiner

Primary Examiner — Michael A Pratt

(74) *Attorney, Agent, or Firm* — Maxey Law Offices, PLLC; Stephen Lewellyn

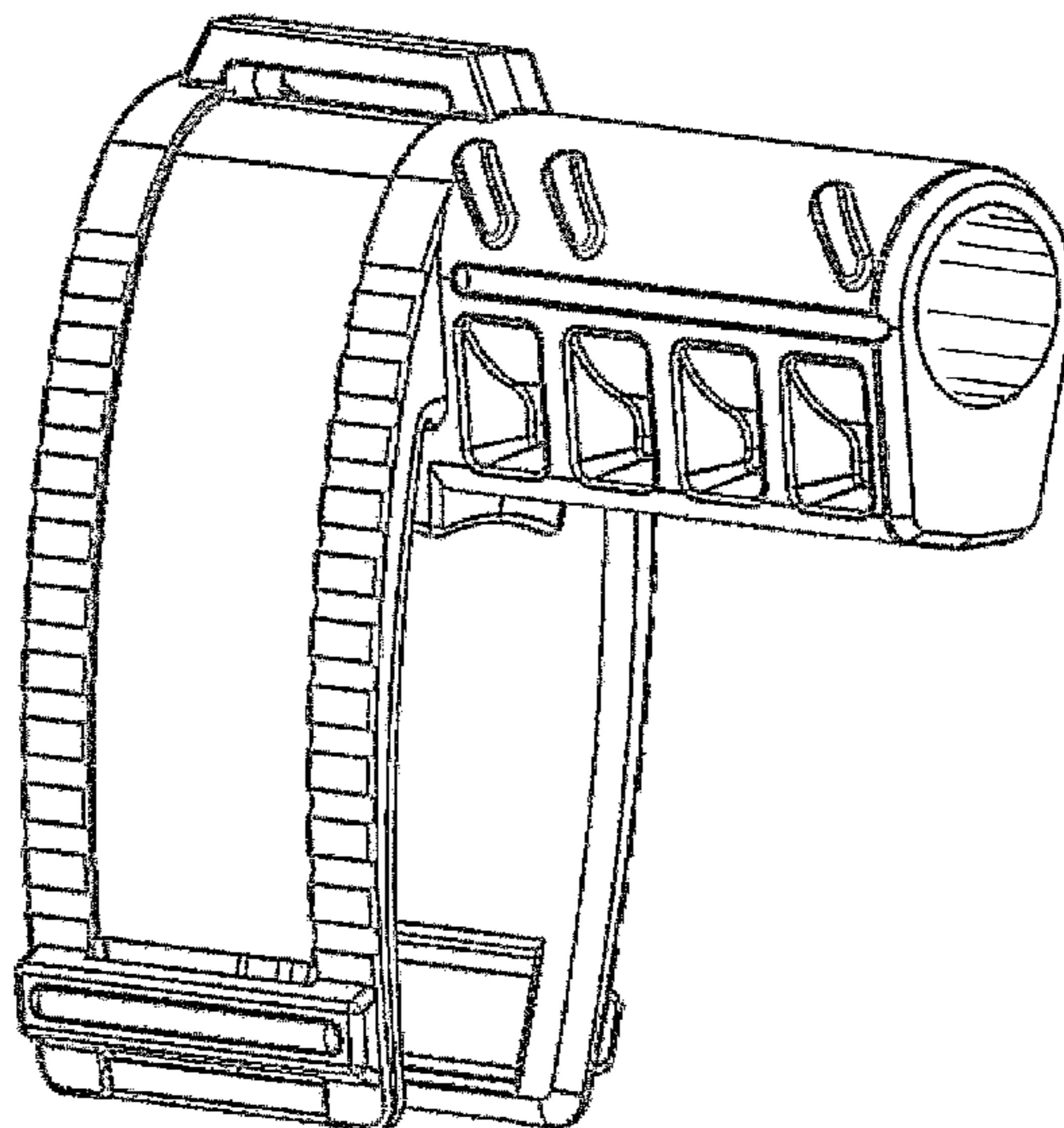
(57) **CLAIM**

The ornamental design for a forearm-gripping stabilizing attachment, as shown and described.

DESCRIPTION

FIG. 1 is a front perspective the forearm-gripping stabilizing attachment;
FIG. 2 is a left side elevation view of the forearm-gripping stabilizing attachment;
FIG. 3 is a right side elevation view of the forearm-gripping stabilizing attachment;
FIG. 4 is a top plan view of the forearm-gripping stabilizing attachment;
FIG. 5 is a bottom plan view of the forearm-gripping stabilizing attachment;
FIG. 6 is a front elevation view of the forearm-gripping stabilizing attachment; and,
FIG. 7 is a rear elevation view of the forearm-gripping stabilizing attachment.

1 Claim, 7 Drawing Sheets



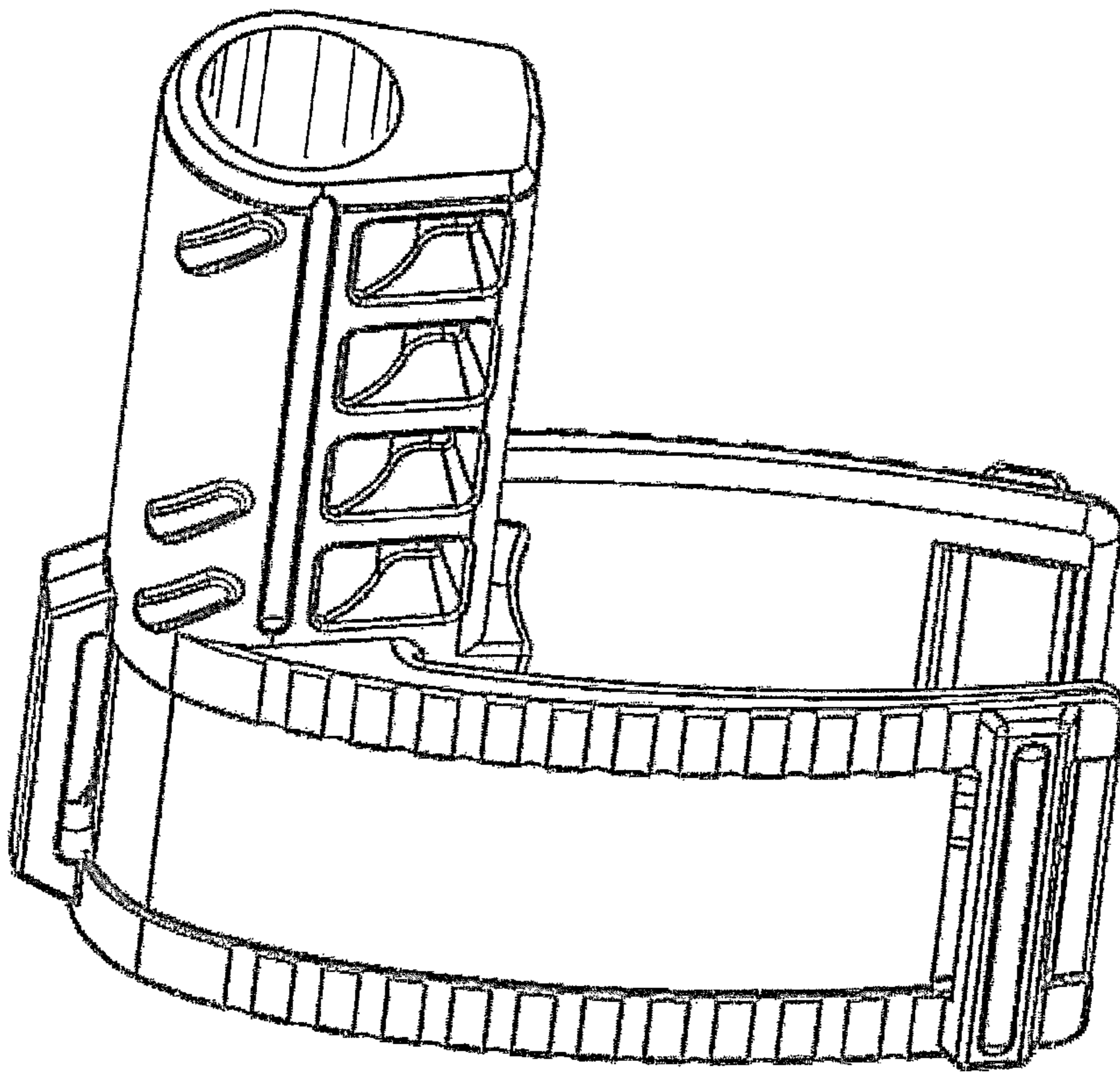


FIG. 1

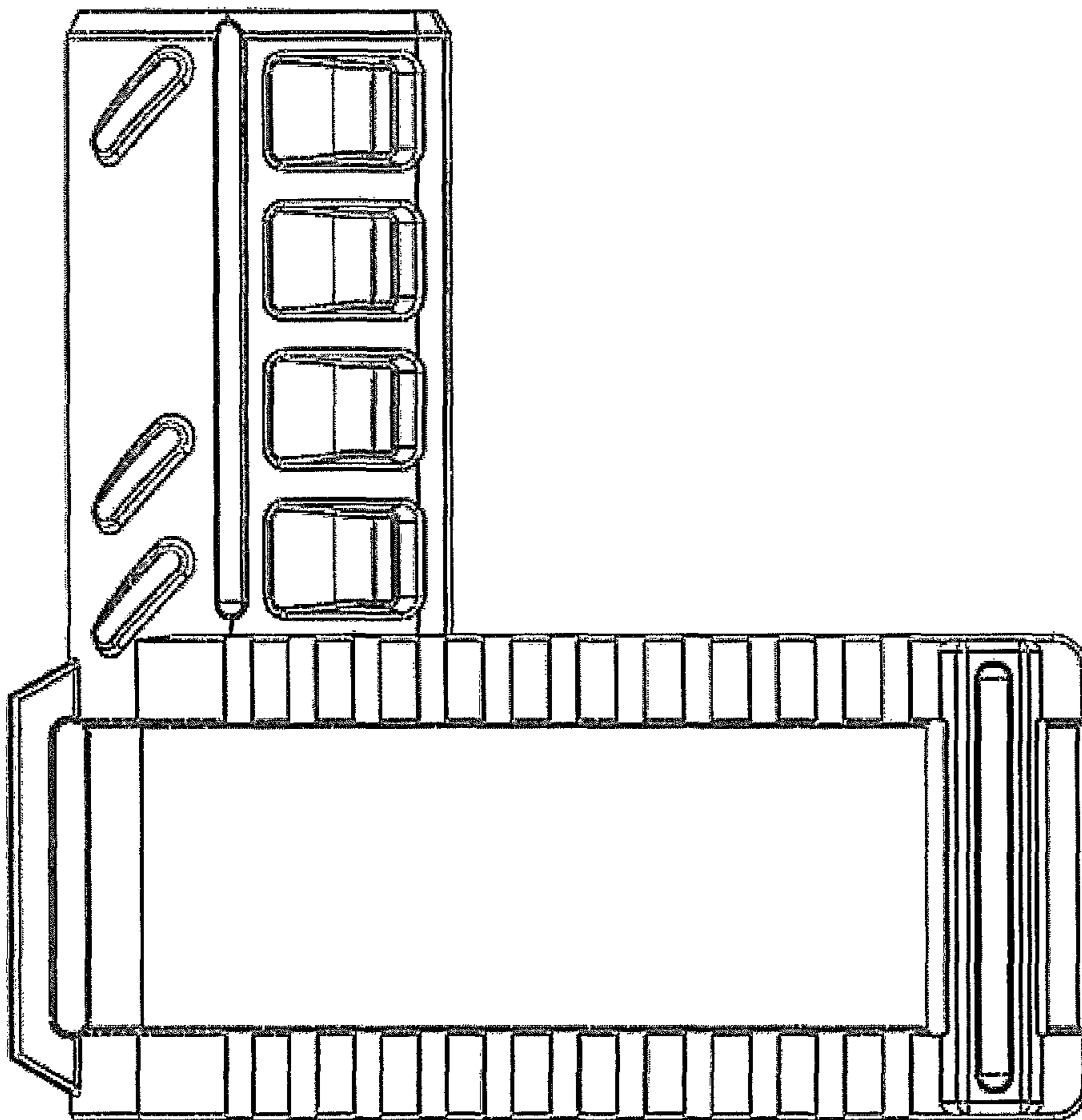


FIG. 2

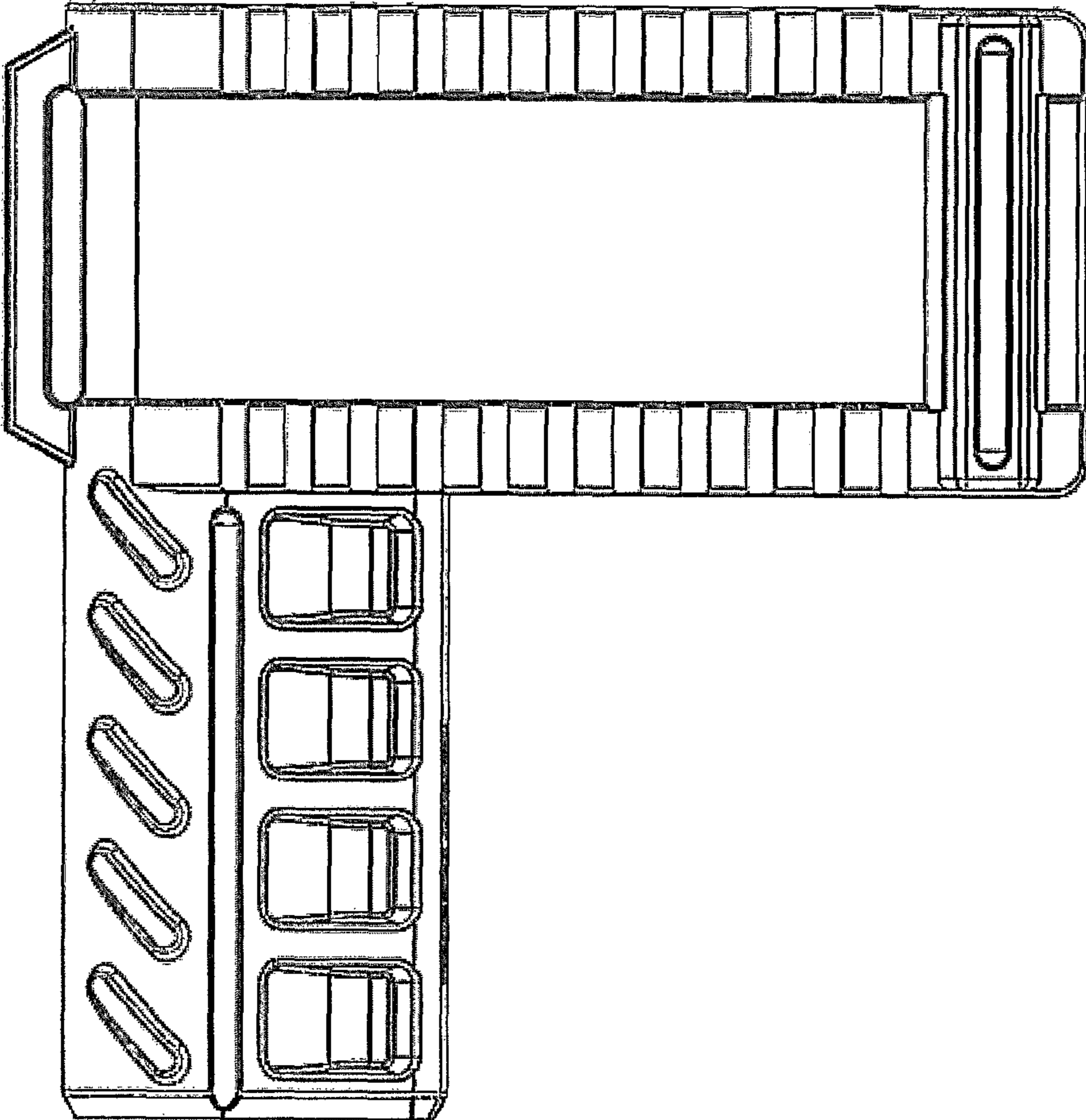


FIG. 3

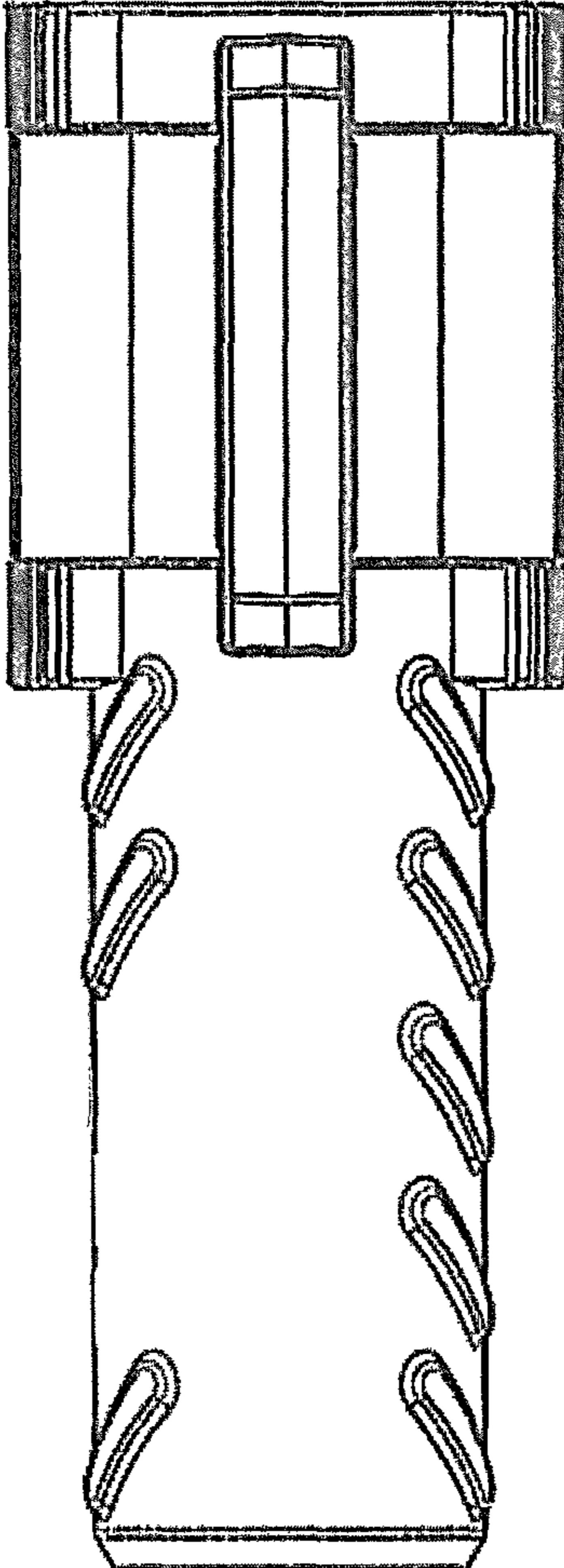


FIG. 4

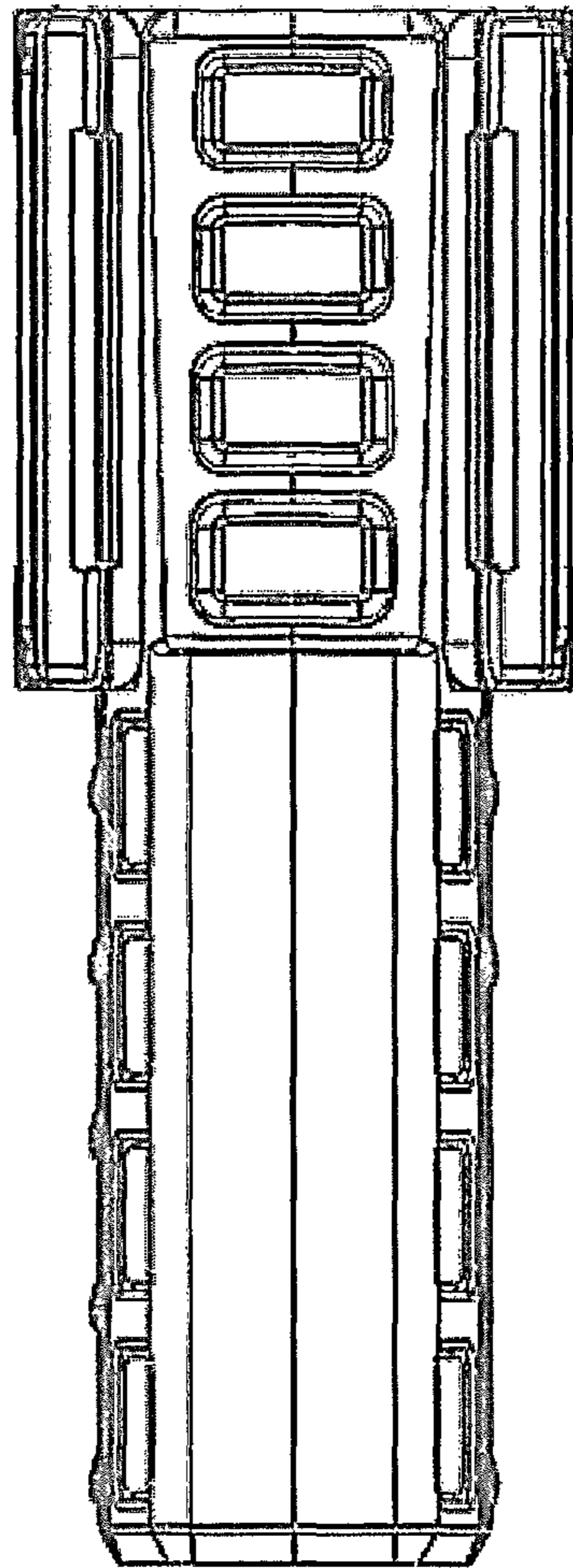


FIG. 5

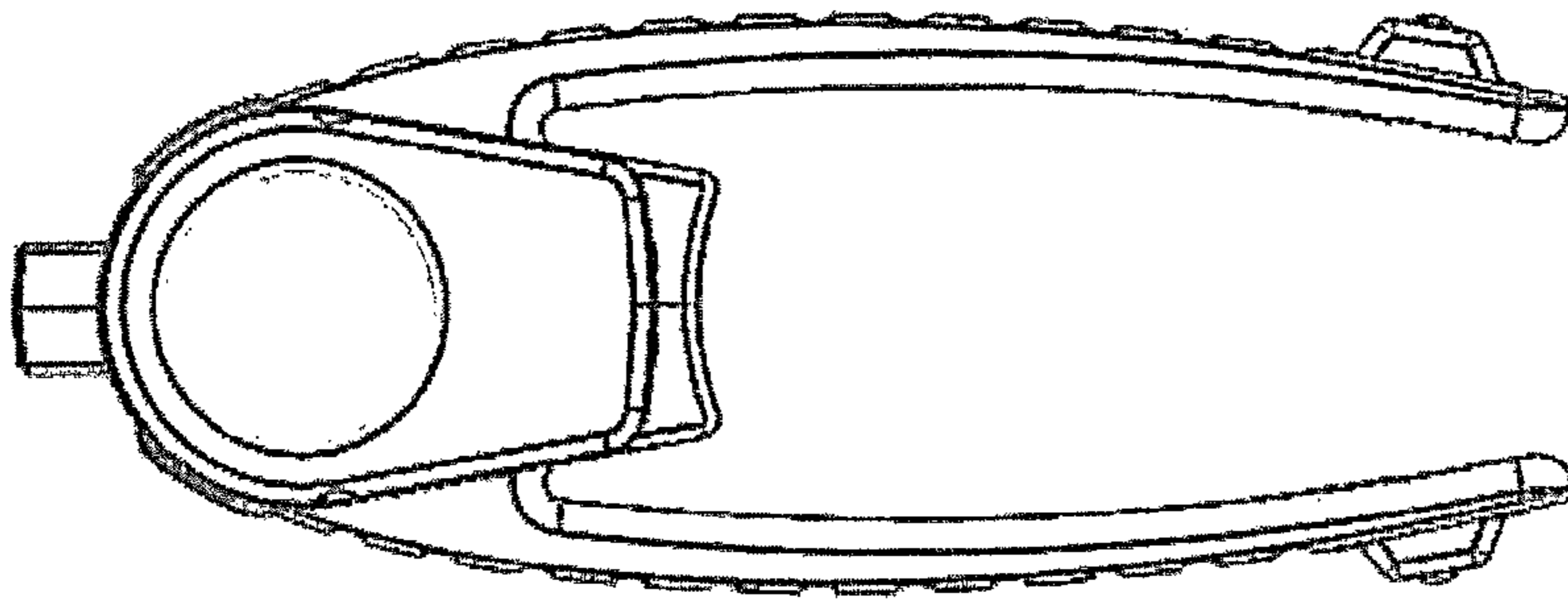


FIG. 6

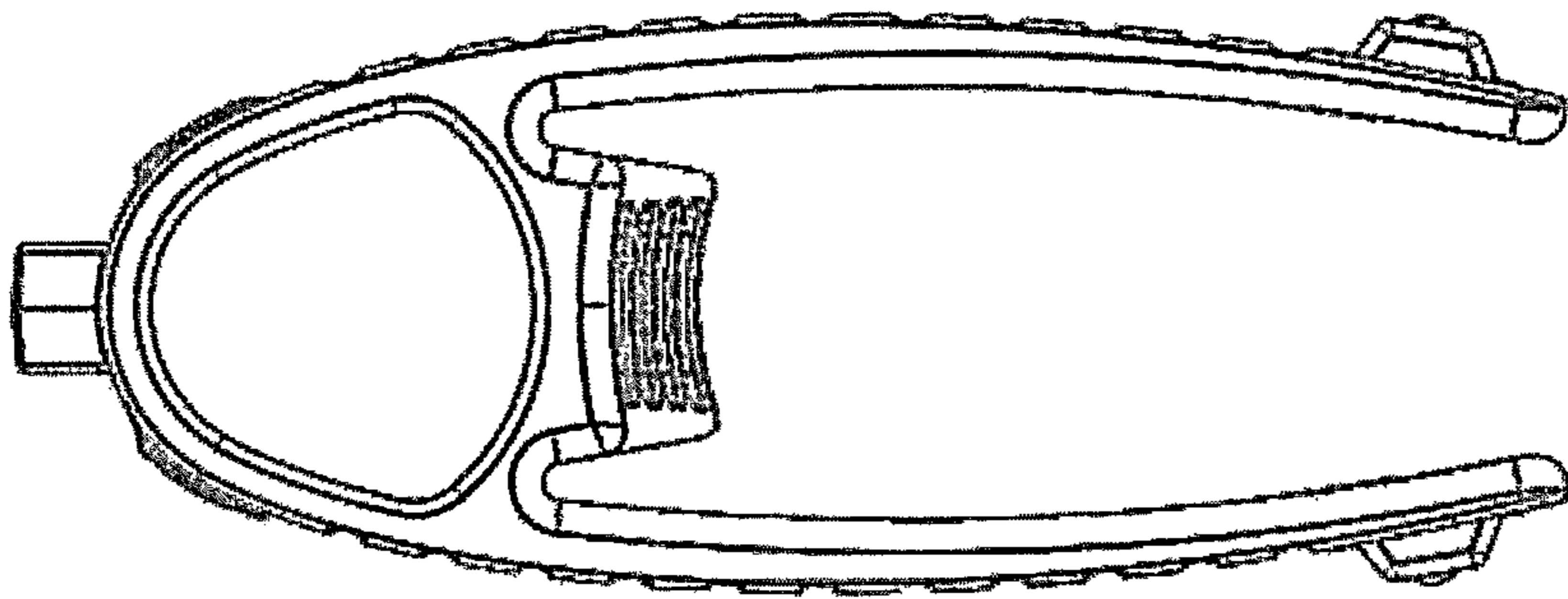


FIG. 7