



US00D745940S

(12) **United States Design Patent**  
**Flores**

(10) **Patent No.:** **US D745,940 S**

(45) **Date of Patent:** **\*\* Dec. 22, 2015**

(54) **FORWARD GRIP FOR A RIFLE BARREL**

D725,218 S \* 3/2015 Iosilevsky ..... D22/108  
D728,054 S \* 4/2015 Webber ..... D22/108  
D734,418 S \* 7/2015 Hines ..... D22/108

(71) Applicant: **Jesse Flores**, Madera, CA (US)

\* cited by examiner

(72) Inventor: **Jesse Flores**, Madera, CA (US)

*Primary Examiner* — Michael A Pratt

(73) Assignee: **Nightstrike, LLC**, Madera, CA (US)

(74) *Attorney, Agent, or Firm* — Richard A. Ryan

(\*\*) Term: **14 Years**

(57) **CLAIM**

(21) Appl. No.: **29/492,130**

The ornamental design for a forward grip for rifle barrel, as shown and described.

(22) Filed: **May 28, 2014**

**DESCRIPTION**

(51) **LOC (10) Cl.** ..... **22-01**

(52) **U.S. Cl.**  
USPC ..... **D22/108**

(58) **Field of Classification Search**  
USPC ..... D22/108; 362/109–114; 42/90, 94, 114,  
42/117, 124–127, 131, 146  
CPC ..... F41C 23/10; F41C 23/14; F41C 23/16;  
F41C 23/18  
See application file for complete search history.

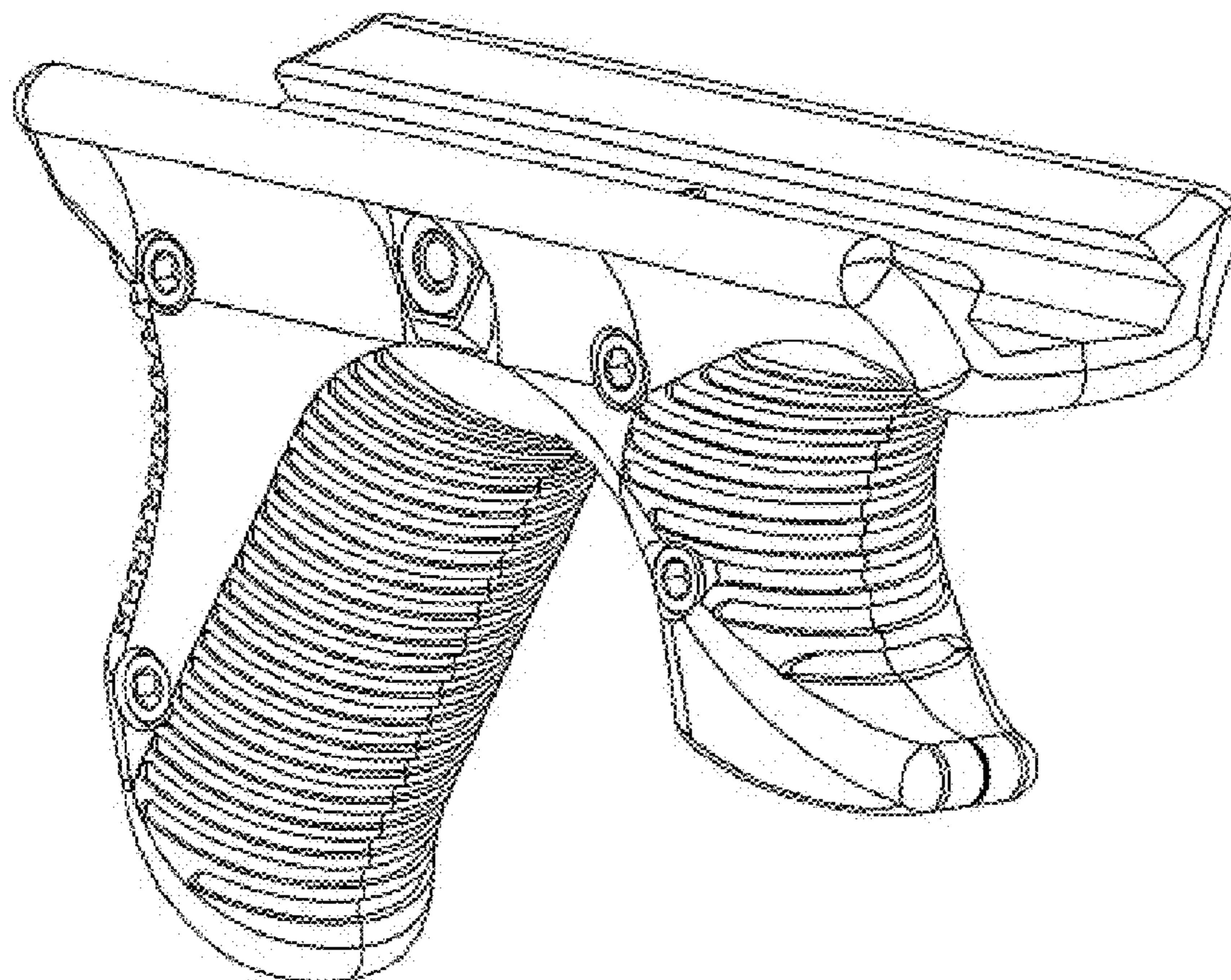
FIG. 1 is a front perspective view of the forward grip for a rifle barrel of the present invention showing the Applicant's new design;  
FIG. 2 is a back perspective view of the forward grip for a rifle barrel of FIG. 1;  
FIG. 3 is a left side elevation view of the forward grip for a rifle barrel of FIG. 1;  
FIG. 4 is a right side elevation view of the forward grip for a rifle barrel of FIG. 1;  
FIG. 5 is a top plan view of the forward grip for a rifle barrel of FIG. 1;  
FIG. 6 is a bottom plan view of the forward grip for a rifle barrel of FIG. 1;  
FIG. 7 is a front elevation view of the forward grip for a rifle barrel of FIG. 1; and,  
FIG. 8 is a back elevation view of the forward grip for a rifle barrel of FIG. 1.

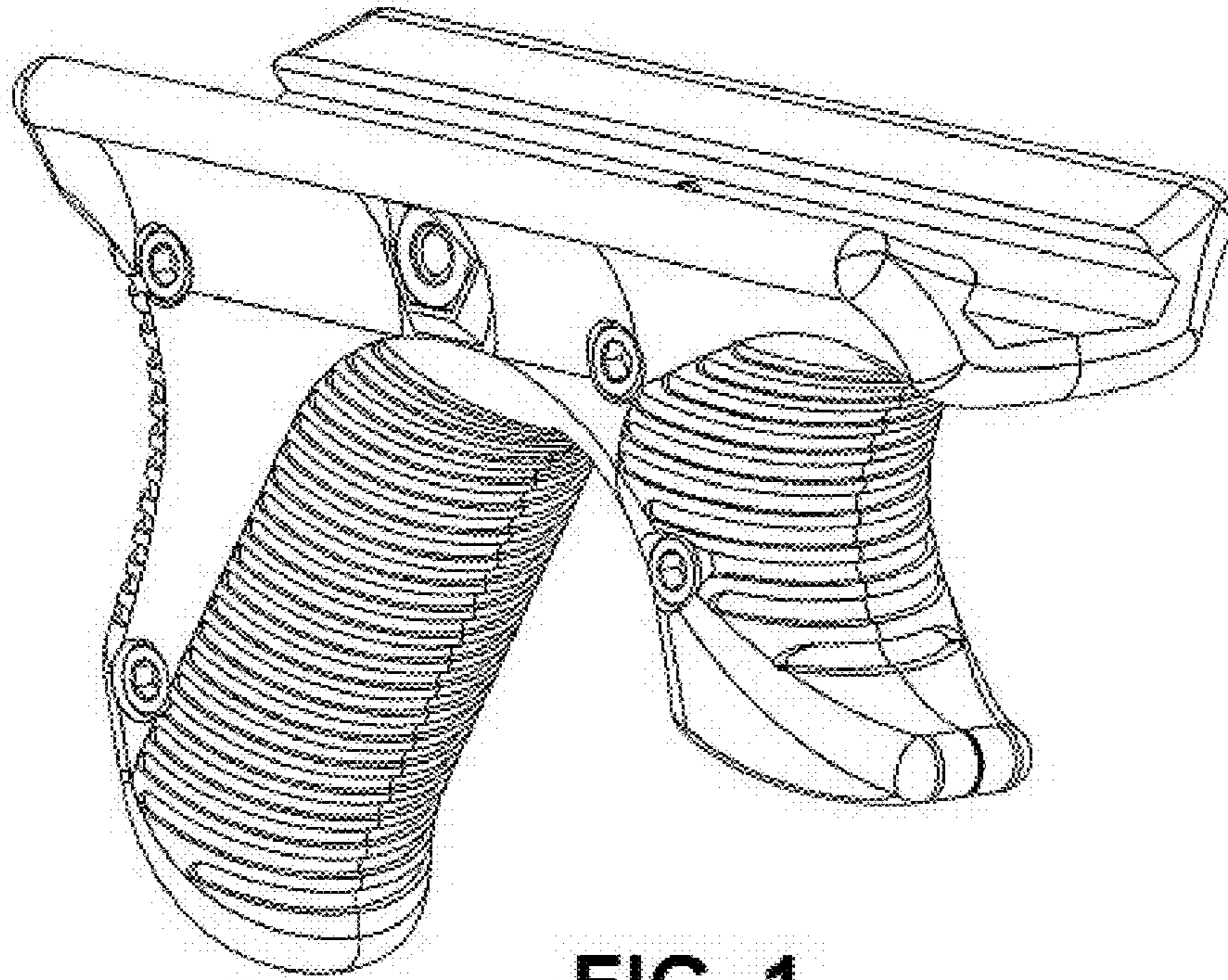
(56) **References Cited**

U.S. PATENT DOCUMENTS

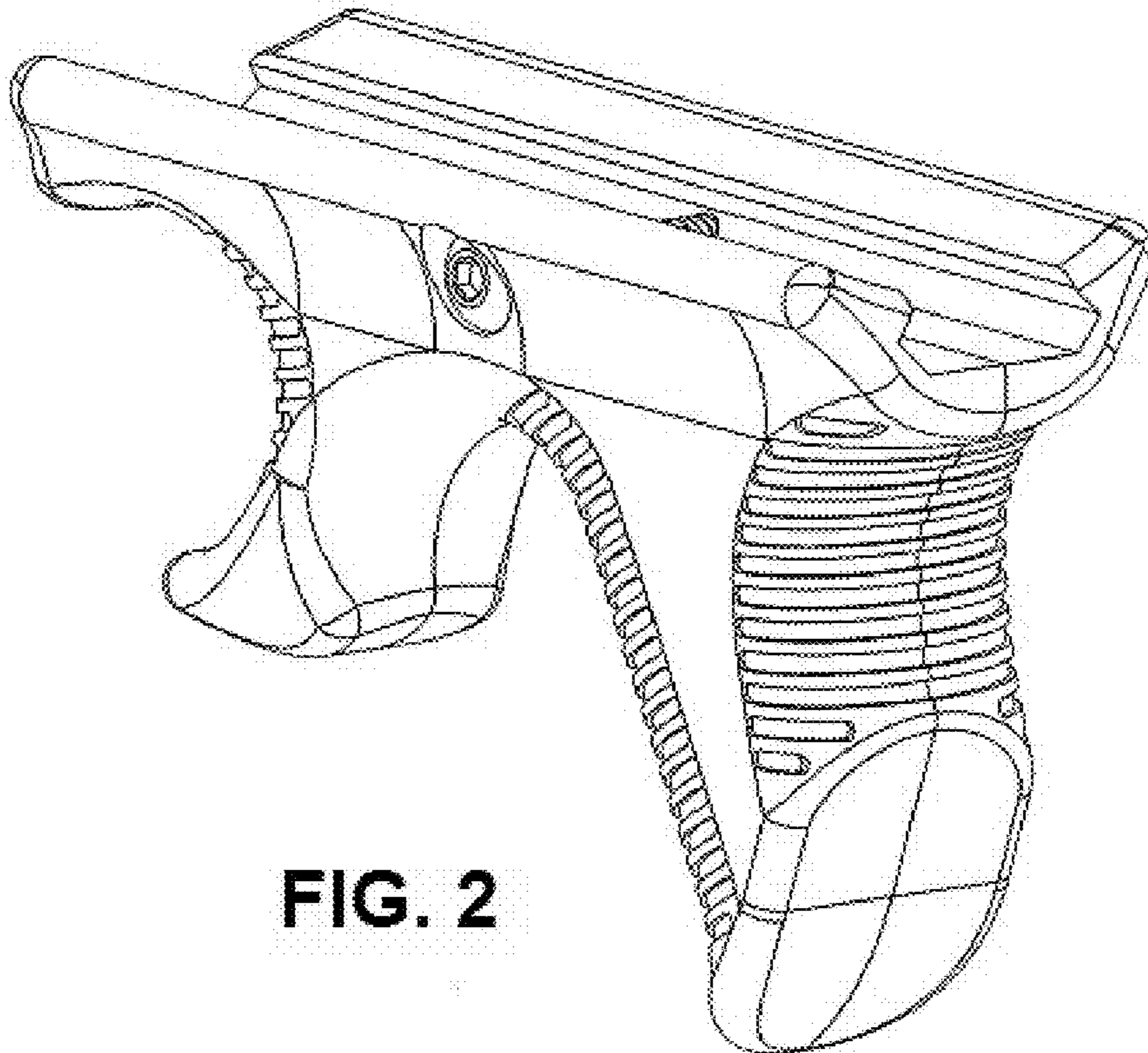
D642,651 S \* 8/2011 Faifer ..... D22/108  
D643,497 S \* 8/2011 Fitzpatrick et al. .... D22/108  
D665,043 S \* 8/2012 Fitzpatrick et al. .... D22/108  
D691,236 S \* 10/2013 Fitzpatrick et al. .... D22/108  
D692,515 S \* 10/2013 Galloway et al. .... D22/108  
D693,424 S \* 11/2013 Wristen ..... D22/108  
D698,405 S \* 1/2014 Kline ..... D22/108  
D698,885 S \* 2/2014 Faifer ..... D22/108

**1 Claim, 4 Drawing Sheets**

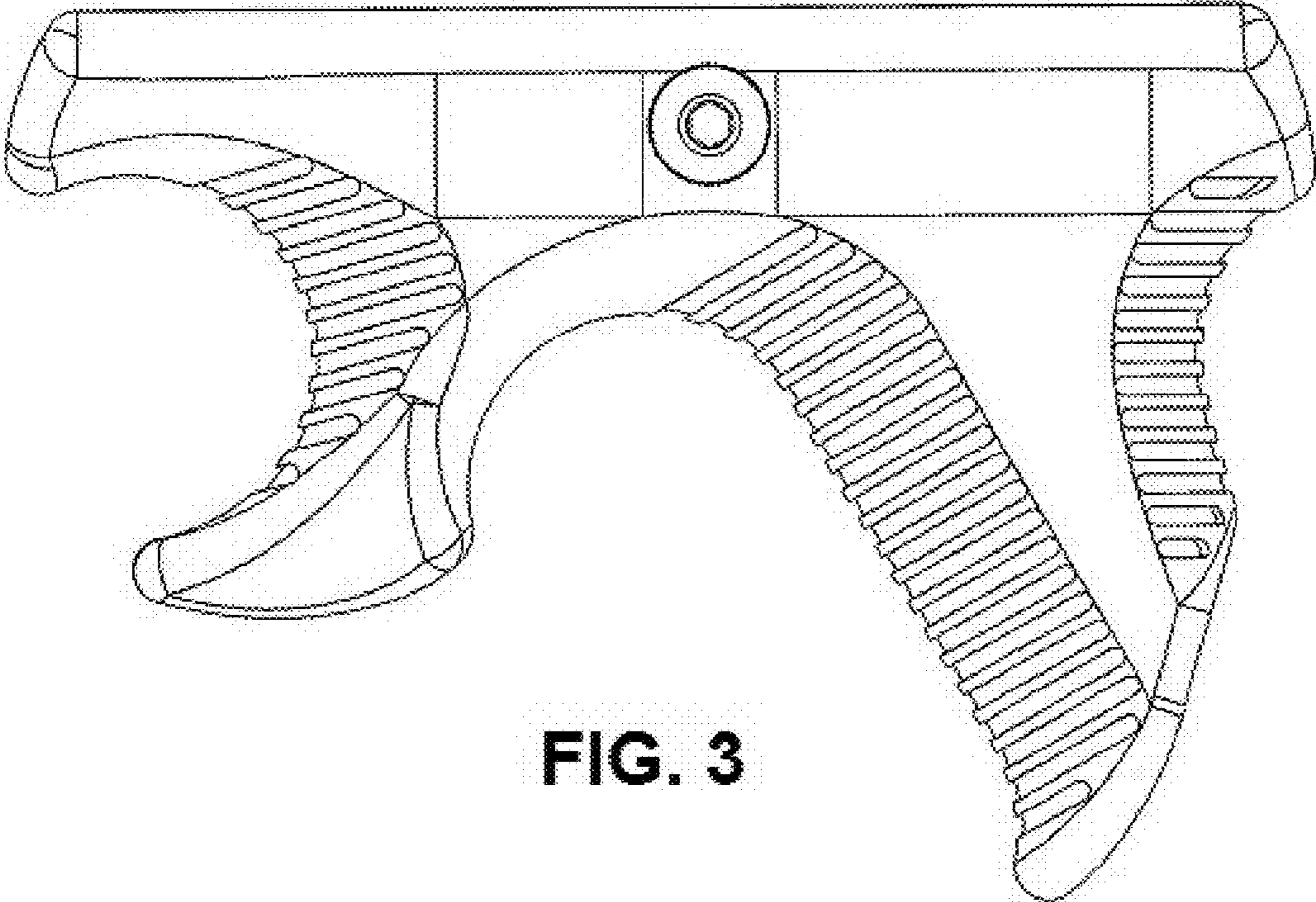




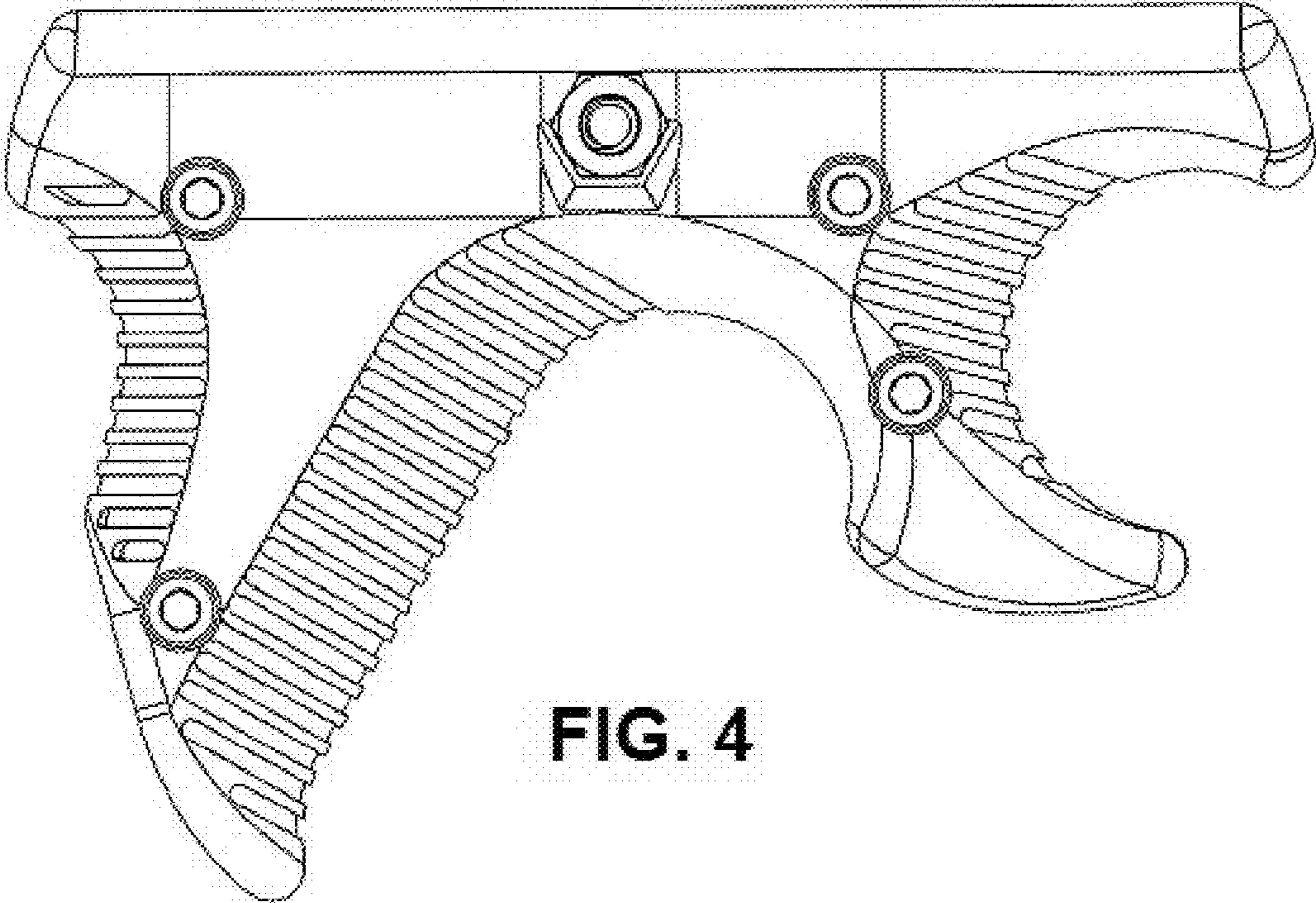
**FIG. 1**



**FIG. 2**



**FIG. 3**



**FIG. 4**

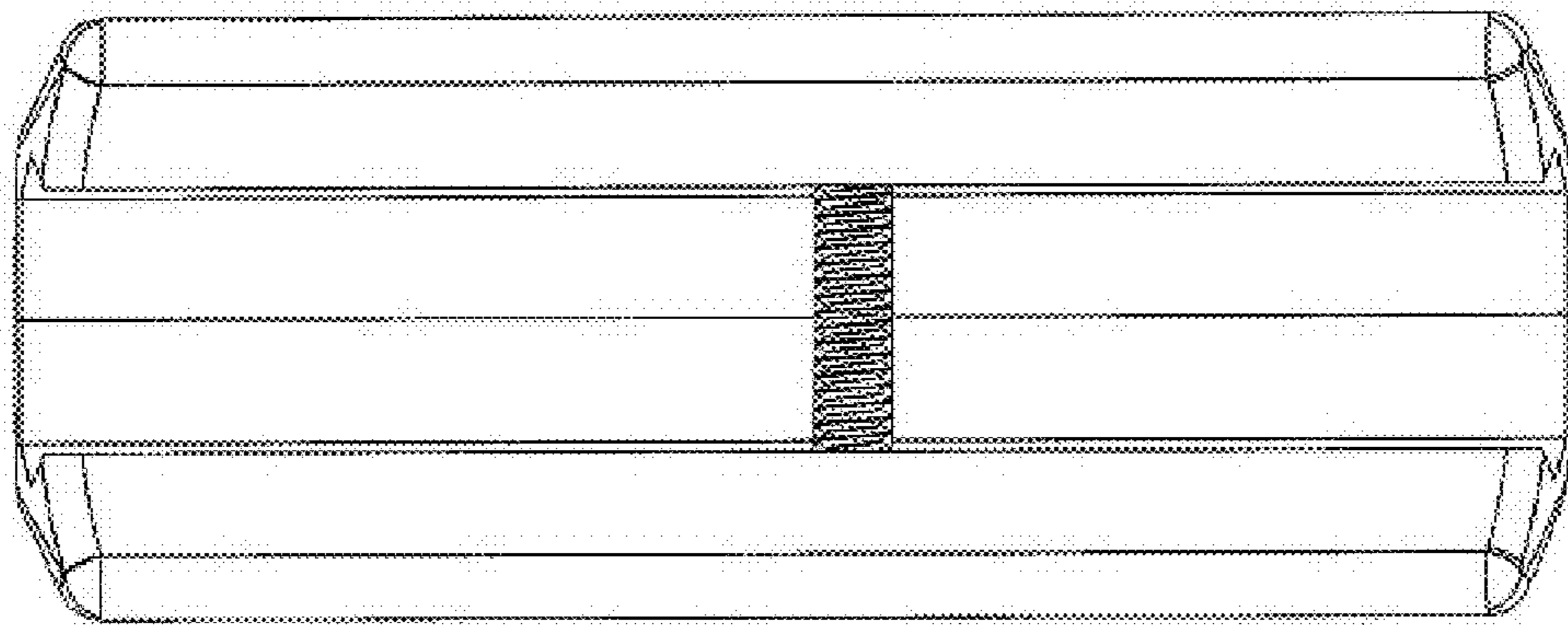


FIG. 5

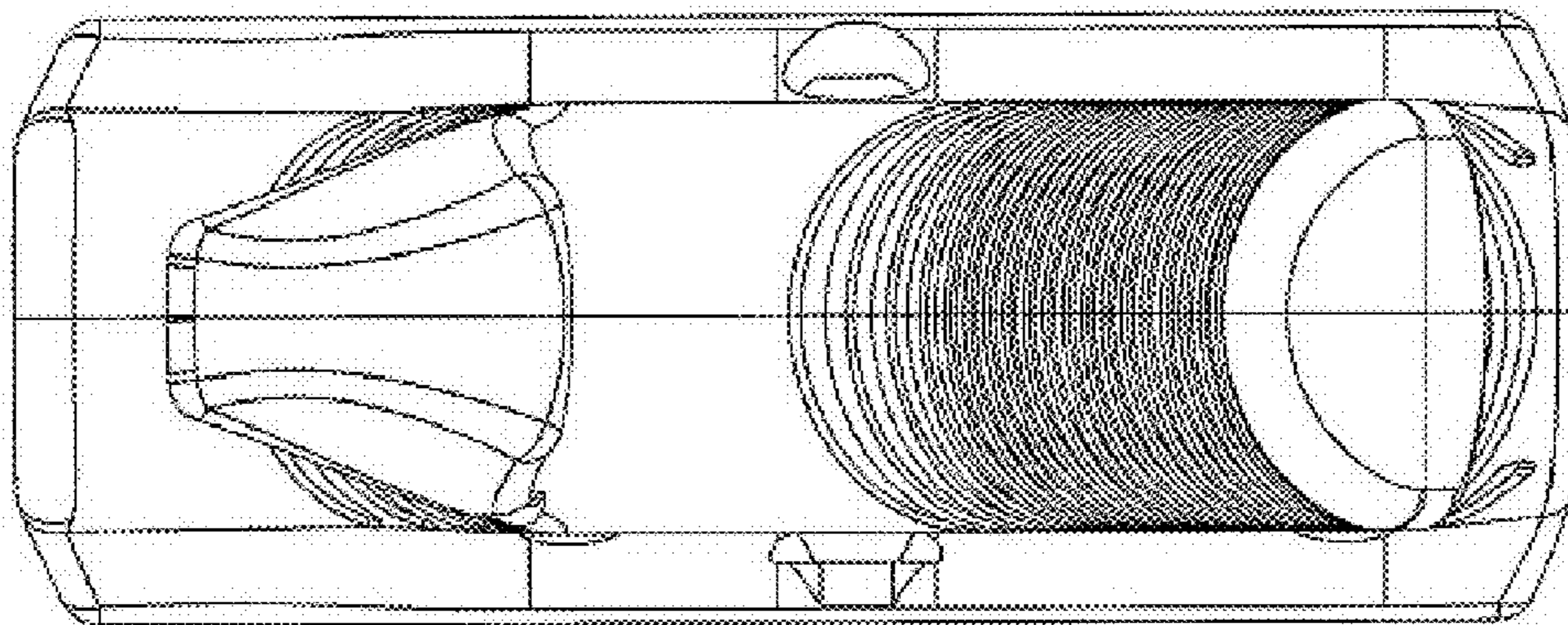
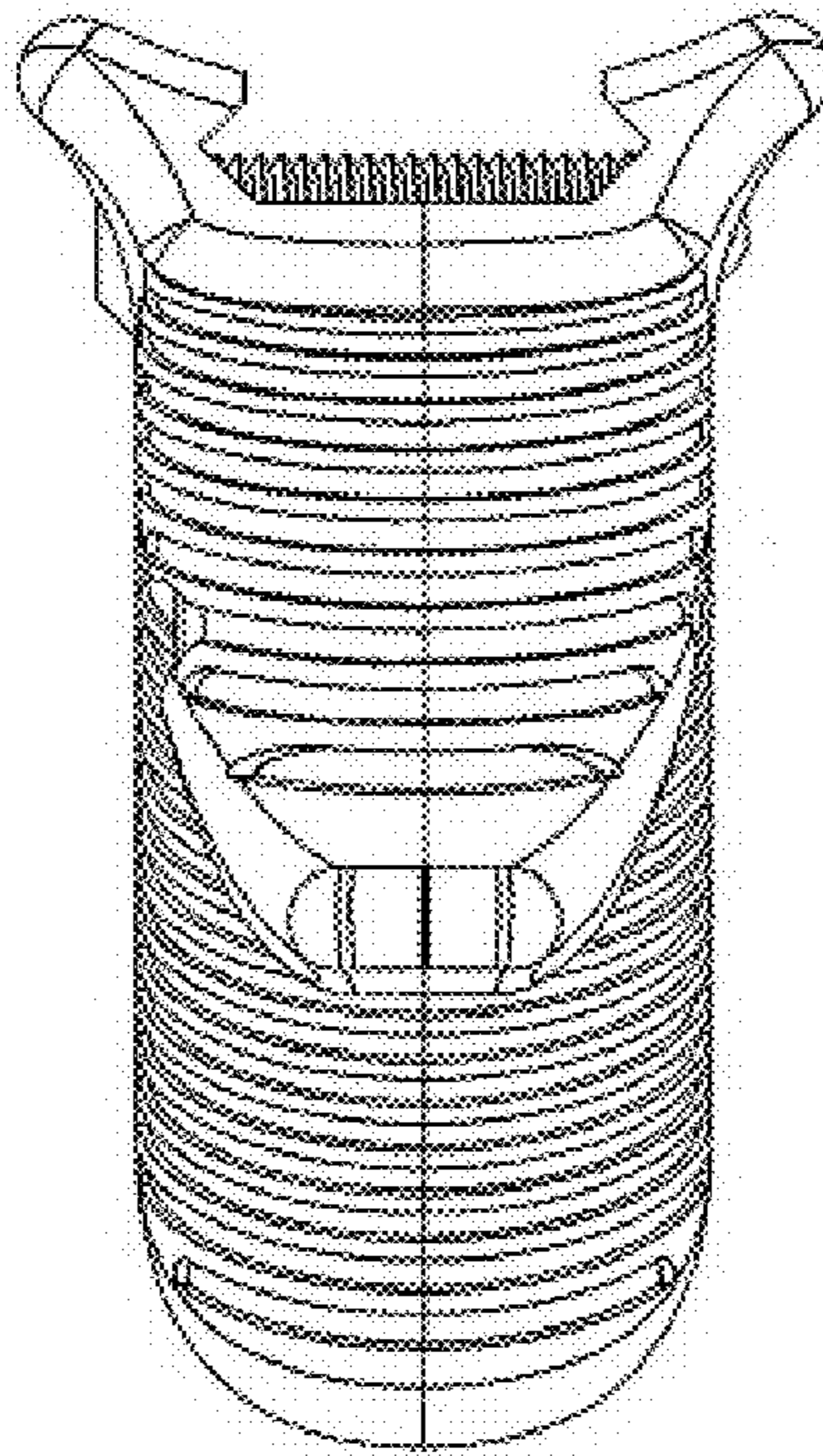
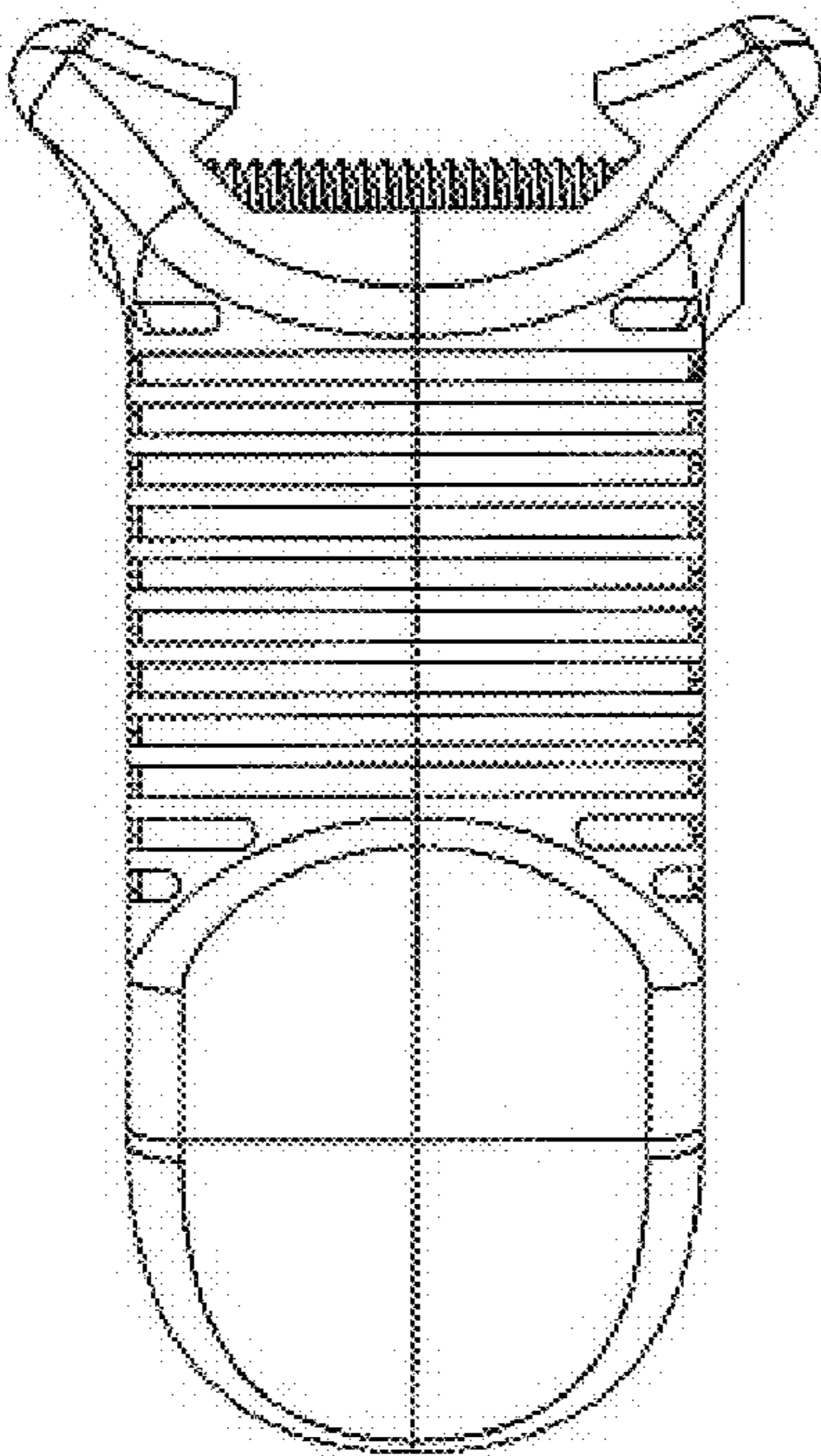


FIG. 6



**FIG. 7**



**FIG. 8**