



US00D745938S

(12) **United States Design Patent**
Joslin

(10) **Patent No.:** **US D745,938 S**

(45) **Date of Patent:** **** Dec. 22, 2015**

(54) **EXERCISE BOARD WITH ROCKERS**

(71) Applicant: **Hunter Joslin**, Melbourne Beach, FL
(US)

(72) Inventor: **Hunter Joslin**, Melbourne Beach, FL
(US)

(**) Term: **14 Years**

(21) Appl. No.: **29/491,820**

(22) Filed: **May 24, 2014**

Related U.S. Application Data

(63) Continuation of application No. 13/408,613, filed on
Feb. 29, 2012, now Pat. No. 8,734,308.

(51) **LOC (10) Cl.** **21-02**

(52) **U.S. Cl.**
USPC **D21/662**

(58) **Field of Classification Search**
USPC D21/797, 694, 671, 686, 698, 699, 680,
D21/685, 692, 687, 689, 318, 688, 412, 333,
D21/683, 798; D8/330, 1, 16; 482/142, 52,
482/51, 30, 74, 91, 140, 25, 94, 122;
D19/37, 64, 59; D9/624, 629;
D14/417, 496; 15/104.93, 105, 118,
15/229.11, 208; D25/139, 155, 62, 65;
D6/349, 582, 598, 335, 350, 583, 588,
D6/585; 99/472, 467; D34/23, 1; 297/461,
297/223, 423.41; 269/289 R, 13, 15, 14;
206/501, 256, 272.8, 308.2, 330, 60,
206/213; 248/678; D7/698, 699, 629, 388;
220/4.26; 217/3 R; D24/190, 191, 192,
D24/167; D17/99; D3/294, 282, 905;
D30/118; 182/33; D99/17, 1; 451/534,
451/539; 446/117, 69; 473/278
CPC A63B 22/001; A63B 22/0664; A63B
23/0211; A63B 21/225; A63B 2210/50;
A63B 2208/0204

See application file for complete search history.

(56) **References Cited**

U.S. PATENT DOCUMENTS

| | | | | |
|--------------|---------|------------|-------|---------|
| D134,341 S * | 11/1942 | Churchill | | D21/688 |
| 3,287,754 A | 11/1966 | Price | | |
| 3,438,626 A | 4/1969 | Modla | | |
| 3,485,493 A | 12/1969 | Pitkanen | | |
| 3,583,722 A | 6/1971 | Jacobson | | |
| D227,584 S | 7/1973 | Perez | | |
| 3,961,787 A | 6/1976 | Studebaker | | |

(Continued)

OTHER PUBLICATIONS

Orcutt, Indo Boarding, Men's Fitness Magazine, Feb. 2009, pp. 36, 3
pages total.

(Continued)

Primary Examiner — Robert M Spear

Assistant Examiner — Ryan Harvey

(74) *Attorney, Agent, or Firm* — Brian S. Steinberger; Law
Offices of Brian S. Steinberger, P.A.

(57) **CLAIM**

The ornamental design for an exercise board with rockers, as
shown and described.

DESCRIPTION

FIG. 1 is an upper perspective view of the exercise board with
rockers.

FIG. 2 is a lower perspective view of the exercise board with
rockers of FIG. 1.

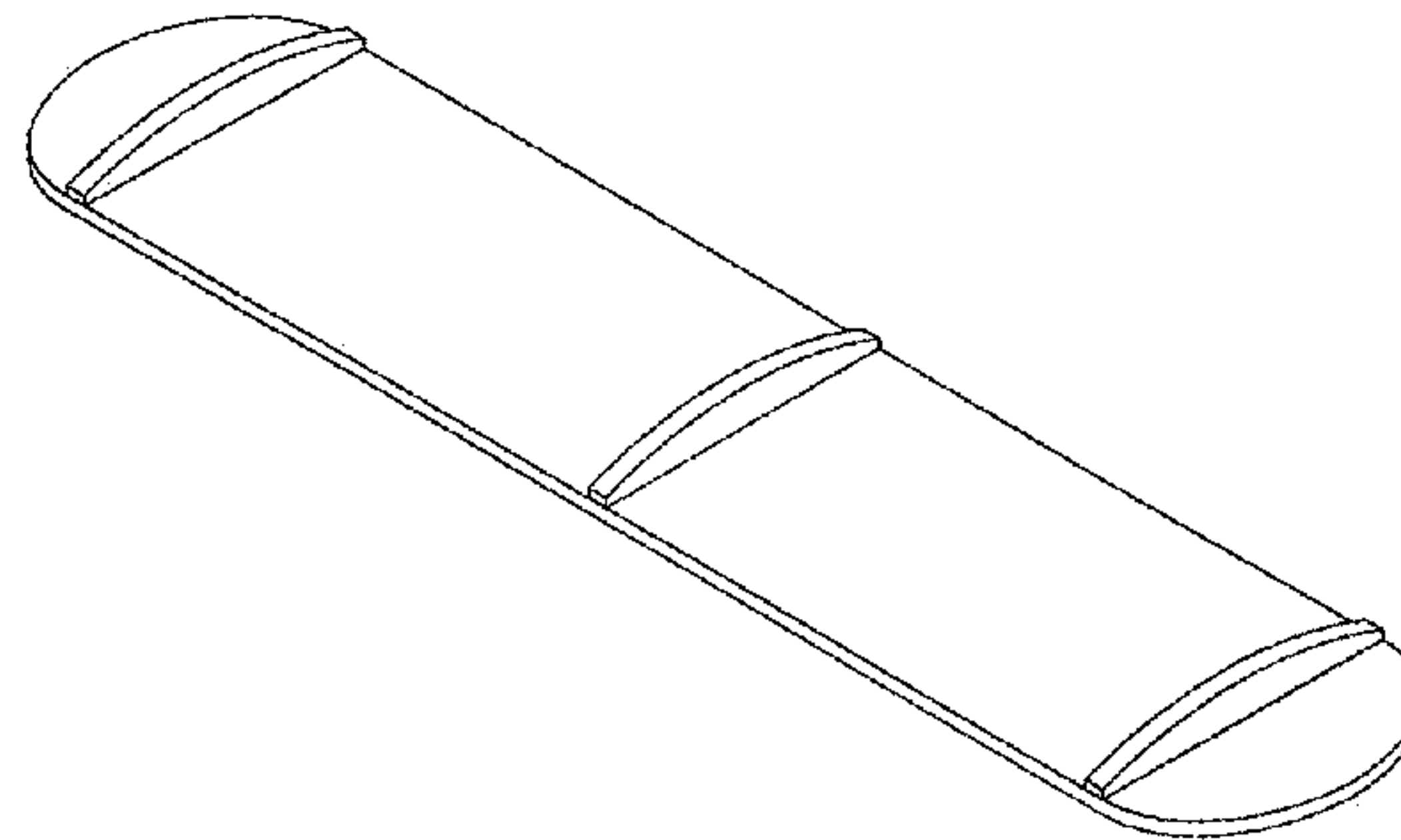
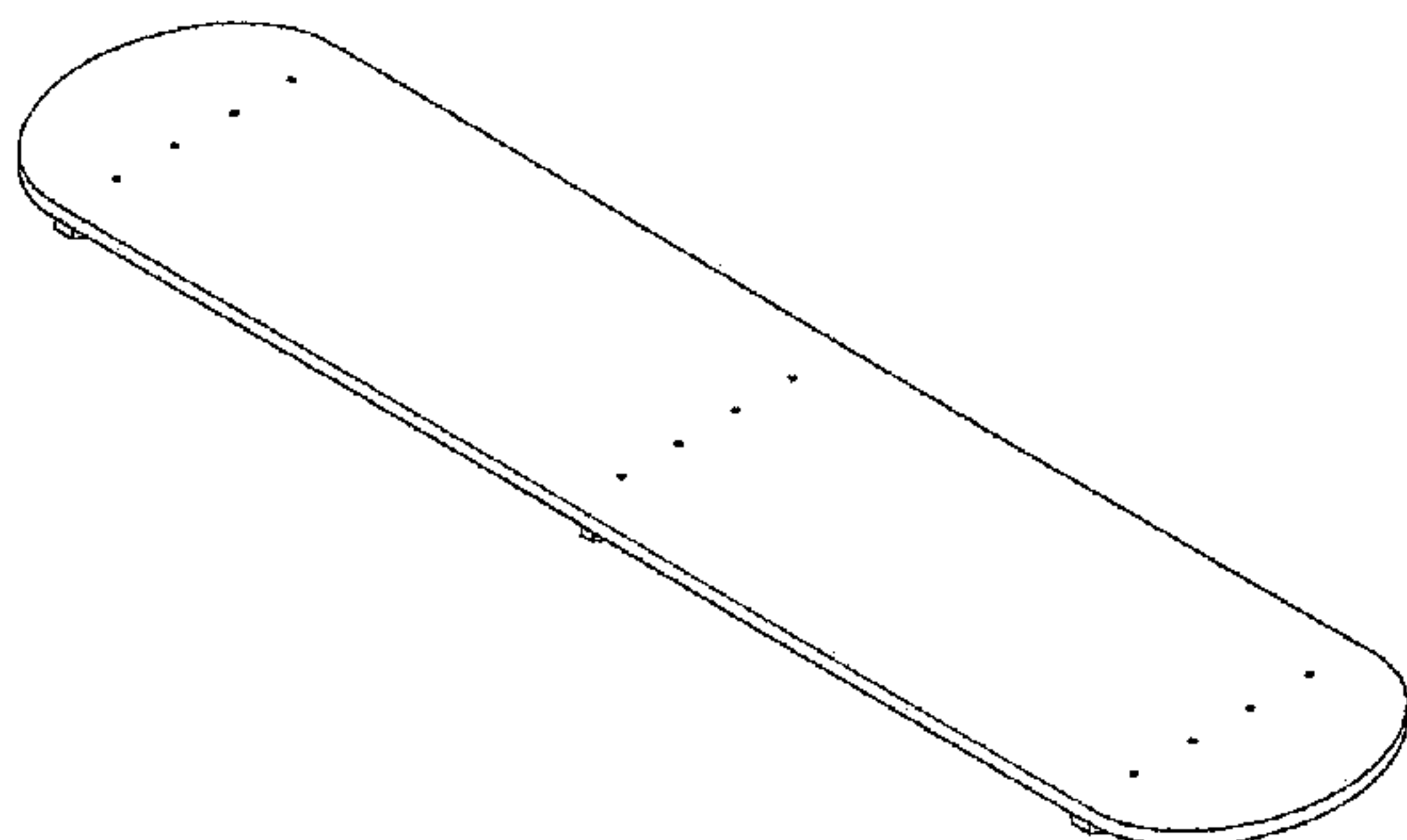
FIG. 3 is a front side view of the exercise board with rockers
of FIG. 1.

FIG. 4 is a rear side view of the exercise board with rockers of
FIG. 1.

FIG. 5 is a left end view of the exercise board with rockers of
FIG. 1; and,

FIG. 6 is a right end view of the exercise board with rockers
of FIG. 1.

1 Claim, 3 Drawing Sheets



(56)

References Cited

U.S. PATENT DOCUMENTS

4,088,325 A 5/1978 Sutton
 D265,411 S * 7/1982 Hedenblad et al. D21/688
 4,705,272 A * 11/1987 Rupprecht 482/146
 D303,644 S 9/1989 Upton
 4,911,440 A 3/1990 Hyman
 D315,584 S 3/1991 Gappa
 5,545,115 A * 8/1996 Corcoran 482/146
 5,643,164 A * 7/1997 Teff 482/146
 5,730,690 A 3/1998 Guidry
 5,795,277 A 8/1998 Bruntmyer
 D405,135 S * 2/1999 Scott D21/688
 5,879,275 A 3/1999 Aruin
 5,888,181 A 3/1999 Yeh
 5,897,474 A * 4/1999 Romero 482/146
 6,280,366 B1 8/2001 Hsieh
 D469,486 S * 1/2003 Olson D21/687
 D471,605 S * 3/2003 Teff D21/662
 6,666,797 B1 12/2003 Martin
 6,705,977 B1 3/2004 Ziak
 6,767,313 B2 7/2004 Sayce
 7,011,612 B2 * 3/2006 Repking 482/142
 7,125,373 B1 10/2006 Garza
 D557,347 S * 12/2007 Nishimoto D21/333
 D564,604 S * 3/2008 Mikail D21/688
 D587,774 S * 3/2009 Giannatos D21/761
 D588,224 S * 3/2009 Giannatos D21/761

D588,225 S * 3/2009 Giannatos D21/761
 7,632,218 B2 12/2009 Sannes
 D610,638 S 2/2010 Friess
 7,686,751 B2 3/2010 Carlson
 7,775,952 B1 8/2010 Curran
 D635,615 S * 4/2011 Foster et al. D21/333
 7,976,034 B1 * 7/2011 Hong et al. 280/87.042
 D645,910 S * 9/2011 Foster et al. D21/333
 D658,420 S * 5/2012 Liang D6/592
 D659,776 S * 5/2012 Zydiak D21/688
 8,512,142 B2 8/2013 Meldeau
 D695,367 S * 12/2013 Lovegrove et al. D21/671
 8,734,308 B1 * 5/2014 Joslin 482/146
 D724,163 S * 3/2015 Kelley D21/694
 2002/0151417 A1 10/2002 List
 2004/0014571 A1 * 1/2004 Haynes 482/142
 2006/0082089 A1 4/2006 Rejtano
 2007/0149374 A1 6/2007 Carlson
 2008/0020856 A1 1/2008 Rosa
 2011/0098164 A1 4/2011 Chang
 2011/0118088 A1 * 5/2011 Caya et al. 482/51
 2014/0228187 A1 * 8/2014 Moscarello 482/142

OTHER PUBLICATIONS

Indoor Board Balance Trainer, Portable Gym Package, www.
 indoboard.com, 2012, 2 pages

* cited by examiner

Fig.1

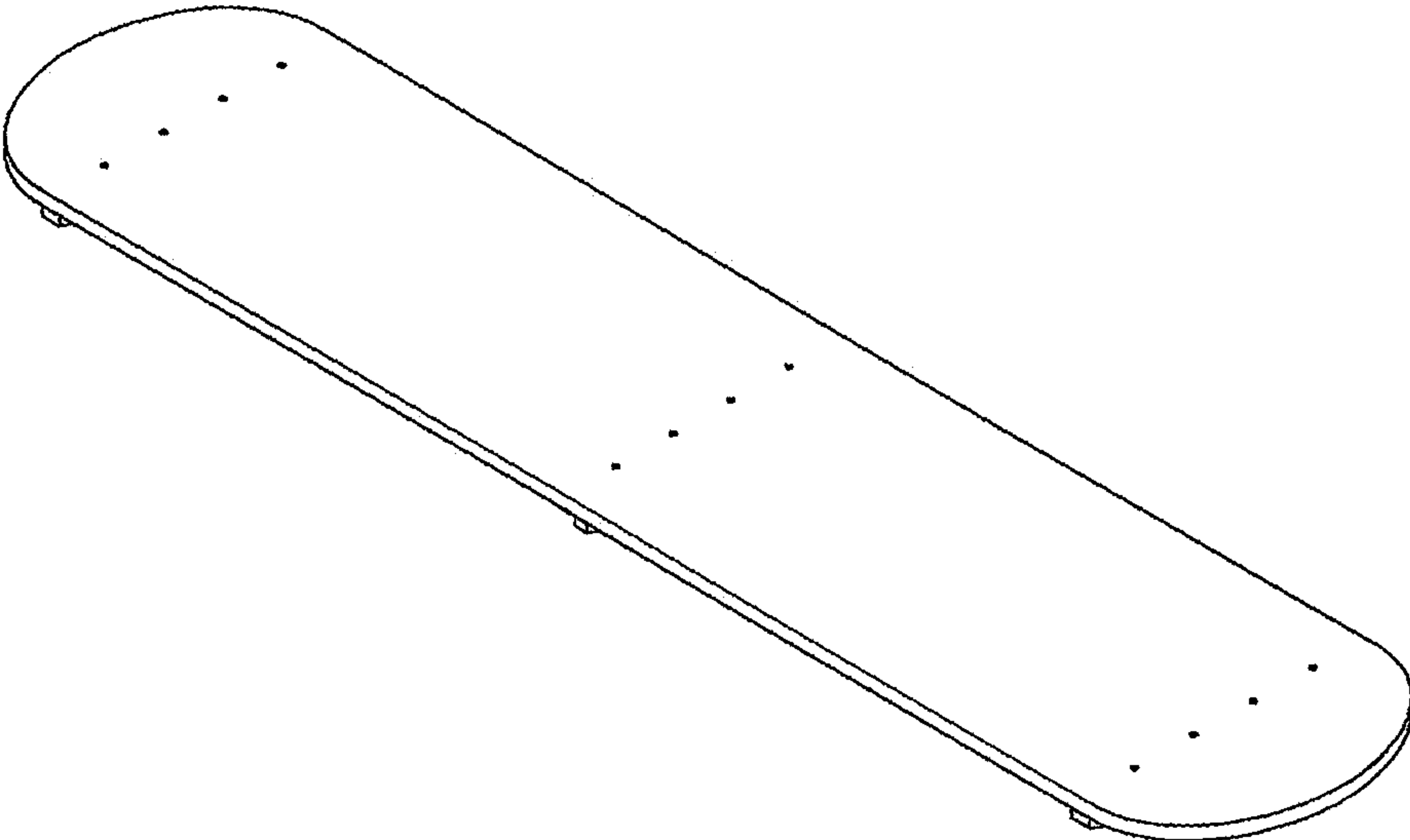


Fig.2

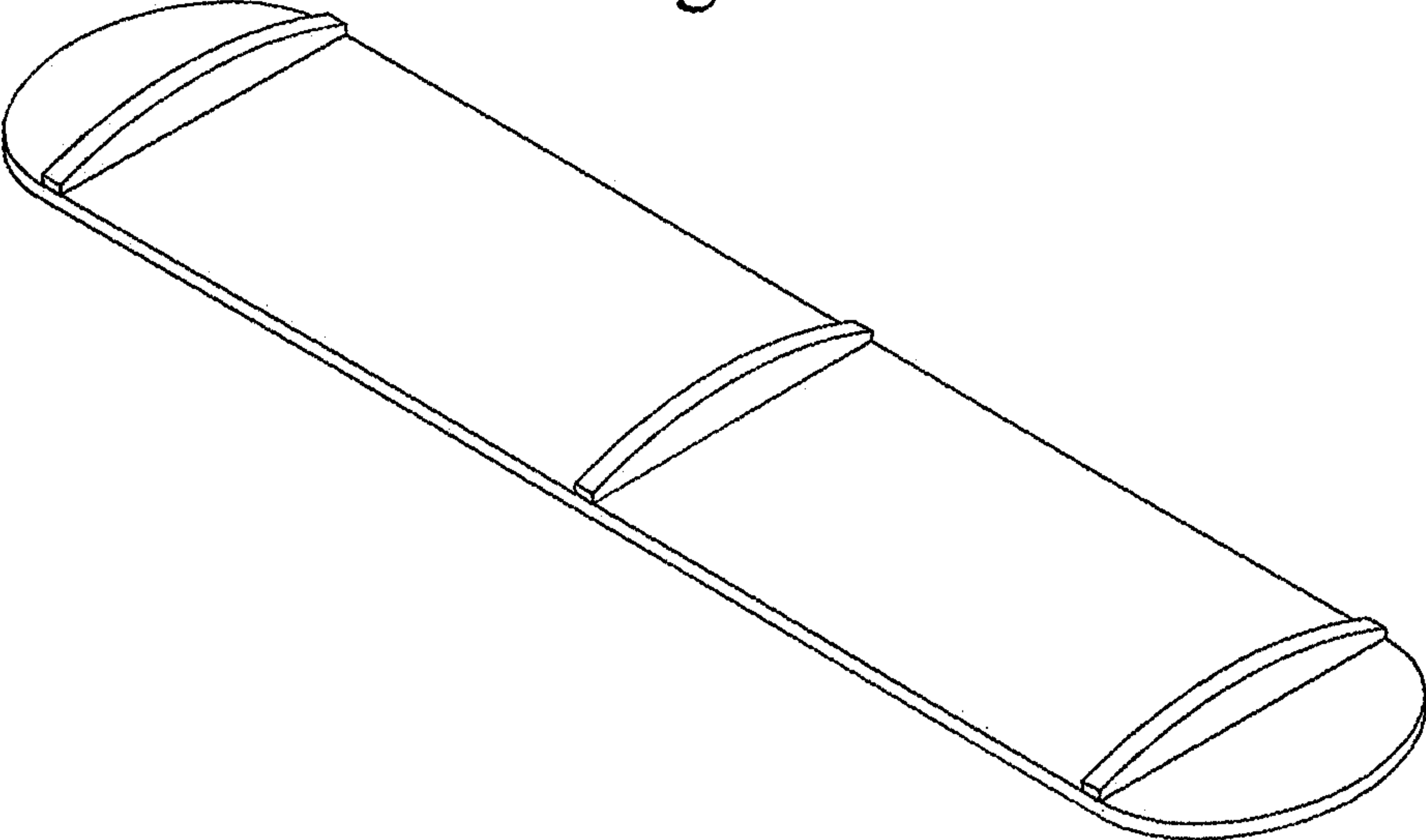


Fig.3



Fig.4



Fig.5

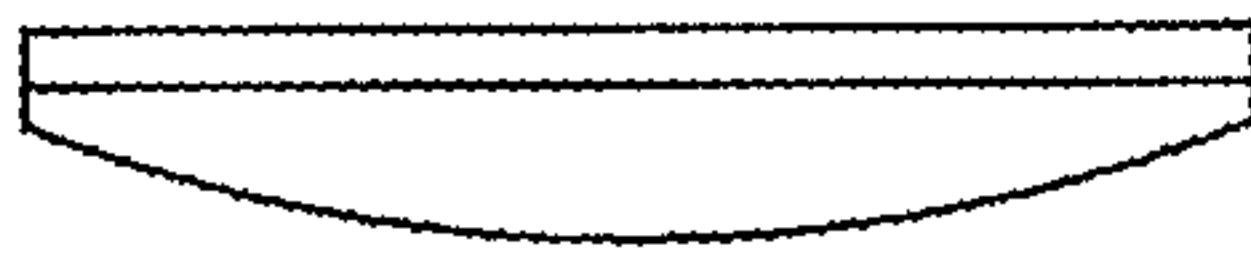


Fig.6

